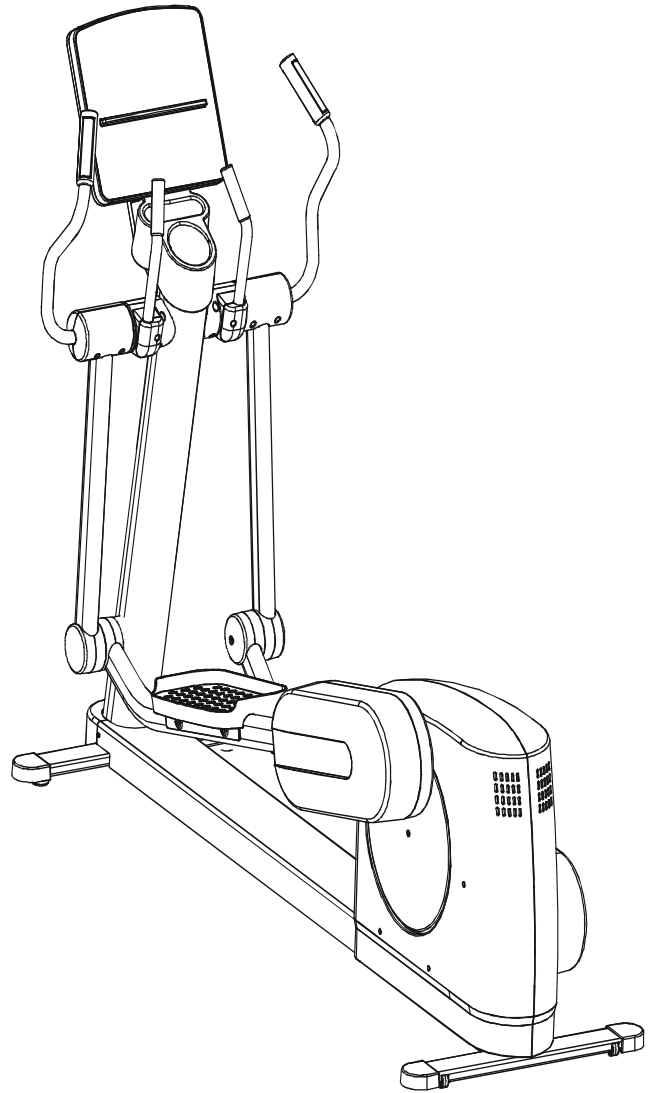
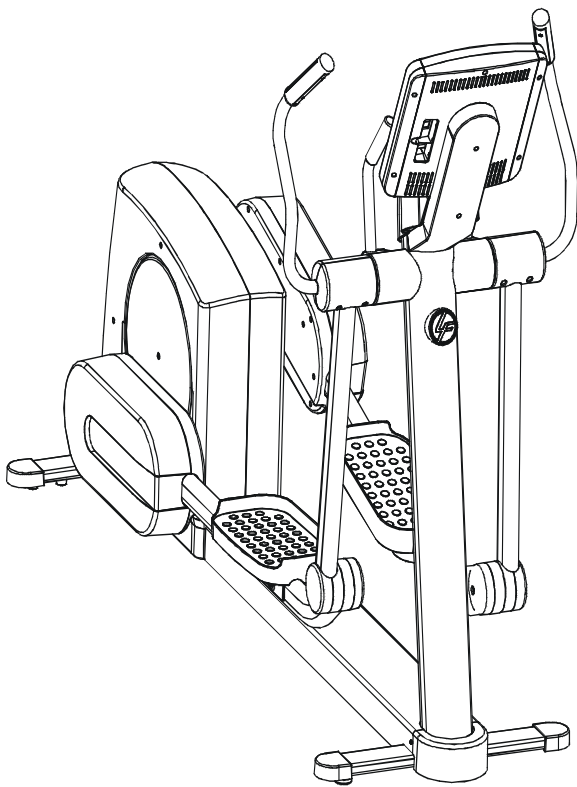


LifeFitness

ARCTIC SILVER CROSS-TRAINER 93XW-0XXX-02



Customer Support Services **PARTS MANUAL** revised 30 Jul 2008

OPERATION MANUAL	M051-00K62-A111
SERVICE MANUAL	M051-00K62-A060
TOUCH UP PAINT: SPRAY CAN .5 OZ BOTTLE W/APPLICATOR .33 OZ PEN	0017-00008-0204 0017-00008-0205 0017-00008-0206
POWER CABLE W/BRACKET ASSY. ASSEMBLY CONSISTS OF: 1) COAX CABLE 2) POWER EXTENSION CABLE 3) ACCESS PANEL BRACKET 4) F TYPE CONNECTOR 5) PLASTIC GROMMET (QTY. 2)	AK62-00210-0000 AK32-00020-0002 AK32-00078-0001 0K62-01179-0001 0017-00021-2846 0017-00042-0754
HARDWARE BAG	AK62-00152-0001
PLUG IN OPTION 120/60	GK62-00002-0018
PLUG IN OPTION 240/50 UK	GK62-00002-0019
PLUG IN OPTION 240v AUS	GK62-00002-0020
PLUG IN OPTION 230/50 CONT	GK62-00002-0021

**NOTE: ADDING THE BOLT ON LCD SCREEN TO THE
93XW-0XXX-02 MAKES THE UNIT A 93XER-0XXX-02.**

	Page
CONSOLE SUPPORT & DEADSHAFT COVERS	4
HANDLEBARS AND BULLHORNS	5
CONSOLE AND RELATED COMPONENTS.....	6
UPPER FRAME HARDWARE	7
ROCKER ARMS AND PEDAL LEVERS	8
CRANK COVER AND LOWER CAPS.....	9
LOWER FRAME SHROUDS AND HARDWARE.....	10
PEDAL LEVER COMPONENTS.....	11
DRIVE MODULE COMPONENTS	12
DRIVE MODULE HARDWARE.....	13
CABLES.....	14

Note: The 93X has Telemetry only.

ARCTIC SILVER 93XW
Console Support & Deadshaft Covers

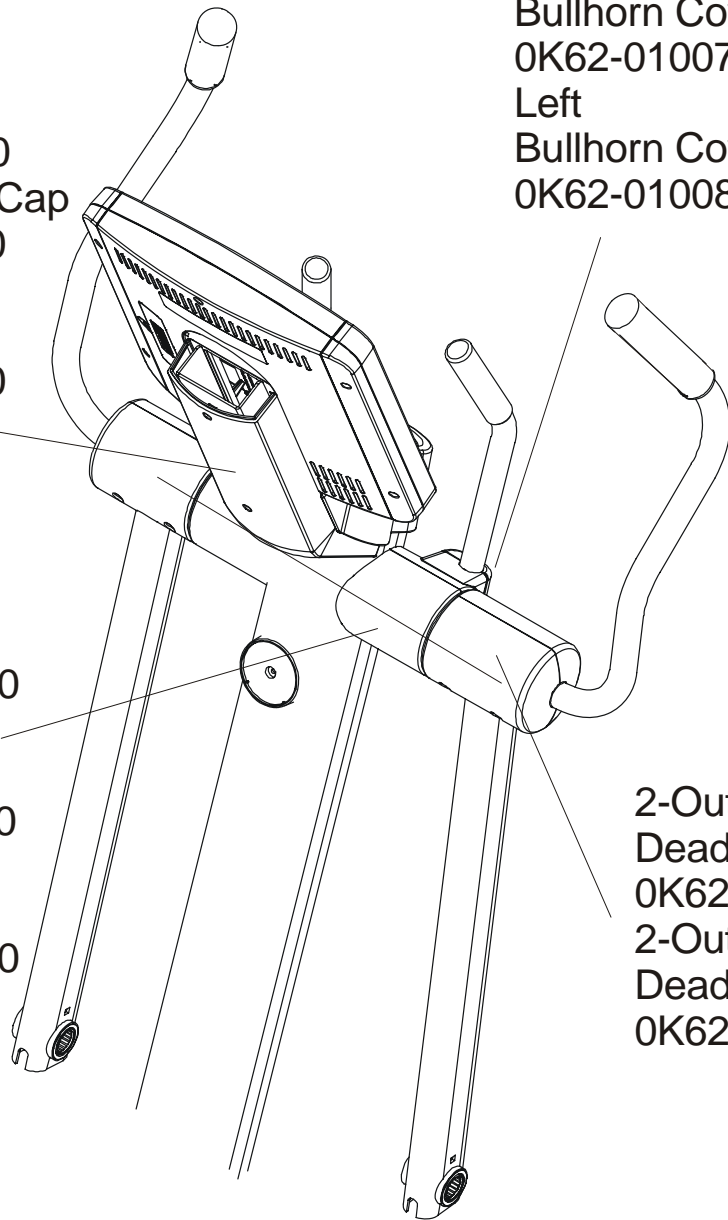
93XW-0XXX-02
S/N AWF100000 and up

Console Support
AK62-00123-0000
Console Support Cap
0K62-01030-0000
Console Support
Shroud
0K62-01023-0000

Right Inside
Deadshaft Cover
0K62-01010-0000
Left Inside
Deadshaft Cover
0K62-01011-0000
2-Front Inside
Deadshaft Cover
0K62-01009-0000

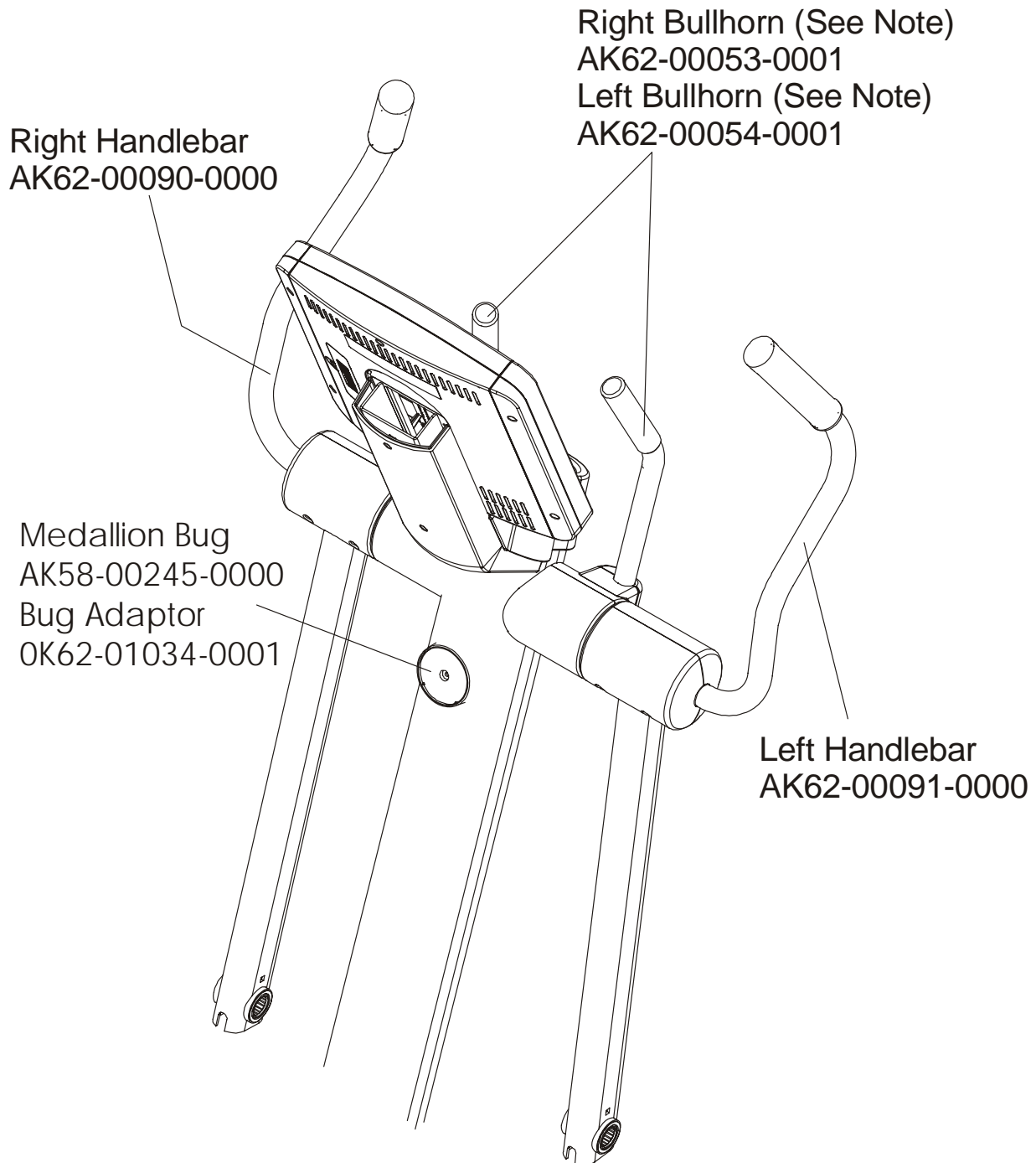
Right
Bullhorn Cover
0K62-01007-0001
Left
Bullhorn Cover
0K62-01008-0001

2-Outside Front
Deadshaft Cover
0K62-01013-0000
2-Outside Rear
Deadshaft Cover
0K62-01012-0000



ARCTIC SILVER 93XW
Handlebars and Bullhorns

93XW-0XXX-02
S/N AWF100000 and up

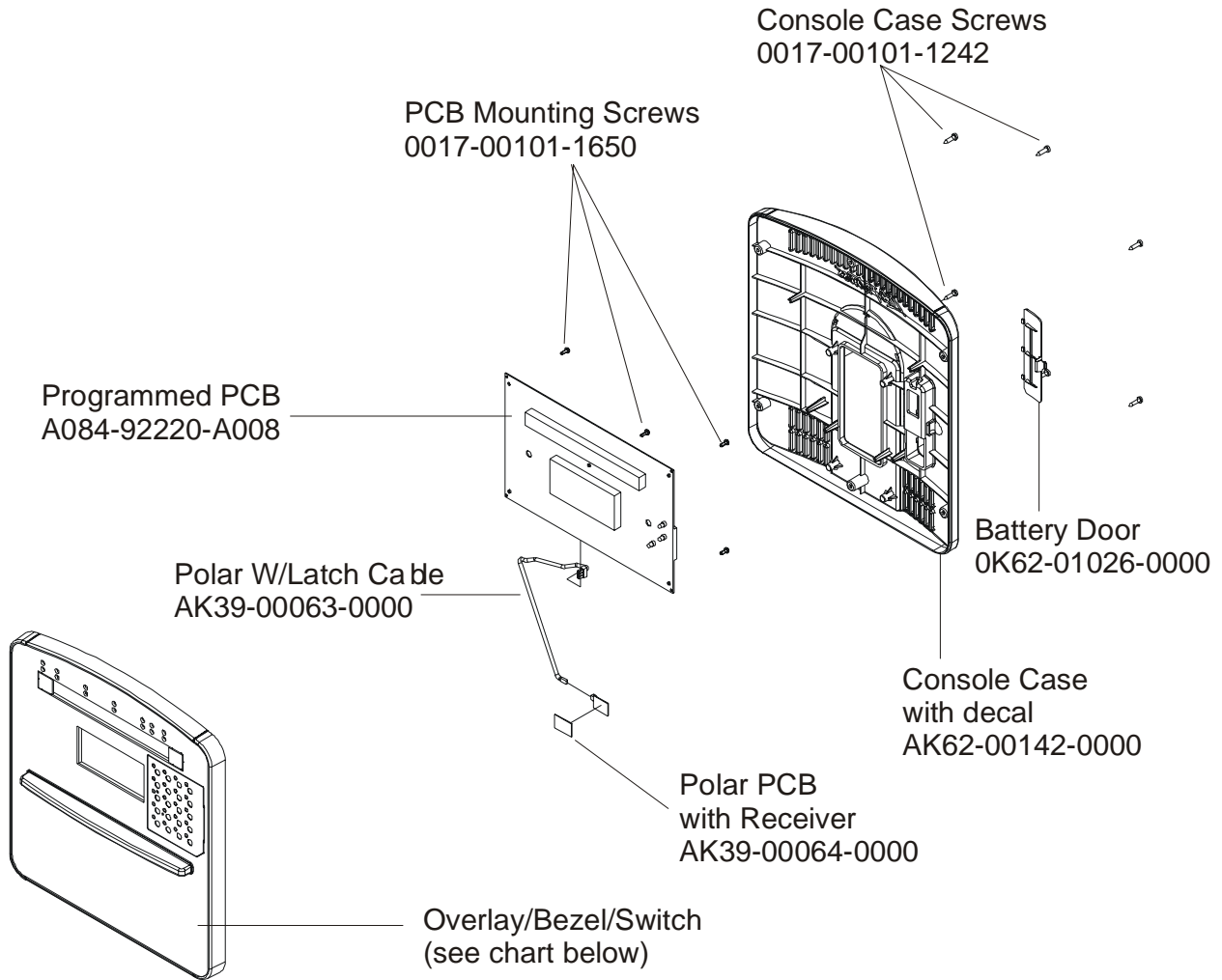


NOTE: The Right Bullhorn Assembly consists of: AK62-00057-0001 Bullhorn, OK62-01136-0000 Grip, and OK62-01199-0001 Gasket.

NOTE: The Left Bullhorn Assembly consists of: AK62-00058-0001 Bullhorn, OK62-01136-0000 Grip and OK62-01199-0001 Gasket

ARCTIC SILVER 93XW
Console & Related components

93XW-0XXX-02
S/N AWF100000 and up



CONSOLE	OVERLAY/BEZEL/SWITCH	LANGUAGE
AK62-00150-0001	AK62-00190-0001	Eng + Met
AK62-00150-0003	AK62-00190-0003	Ger/Met
AK62-00150-0004	AK62-00190-0004	Spn/Met
AK62-00150-0006	AK62-00190-0006	Jap/Met
AK62-00150-0007	AK62-00190-0007	Frn/Met
AK62-00150-0008	AK62-00190-0008	Ital/Met
AK62-00150-0009	AK62-00190-0009	Dut/Met
AK62-00150-0010	AK62-00190-0010	Port/Met

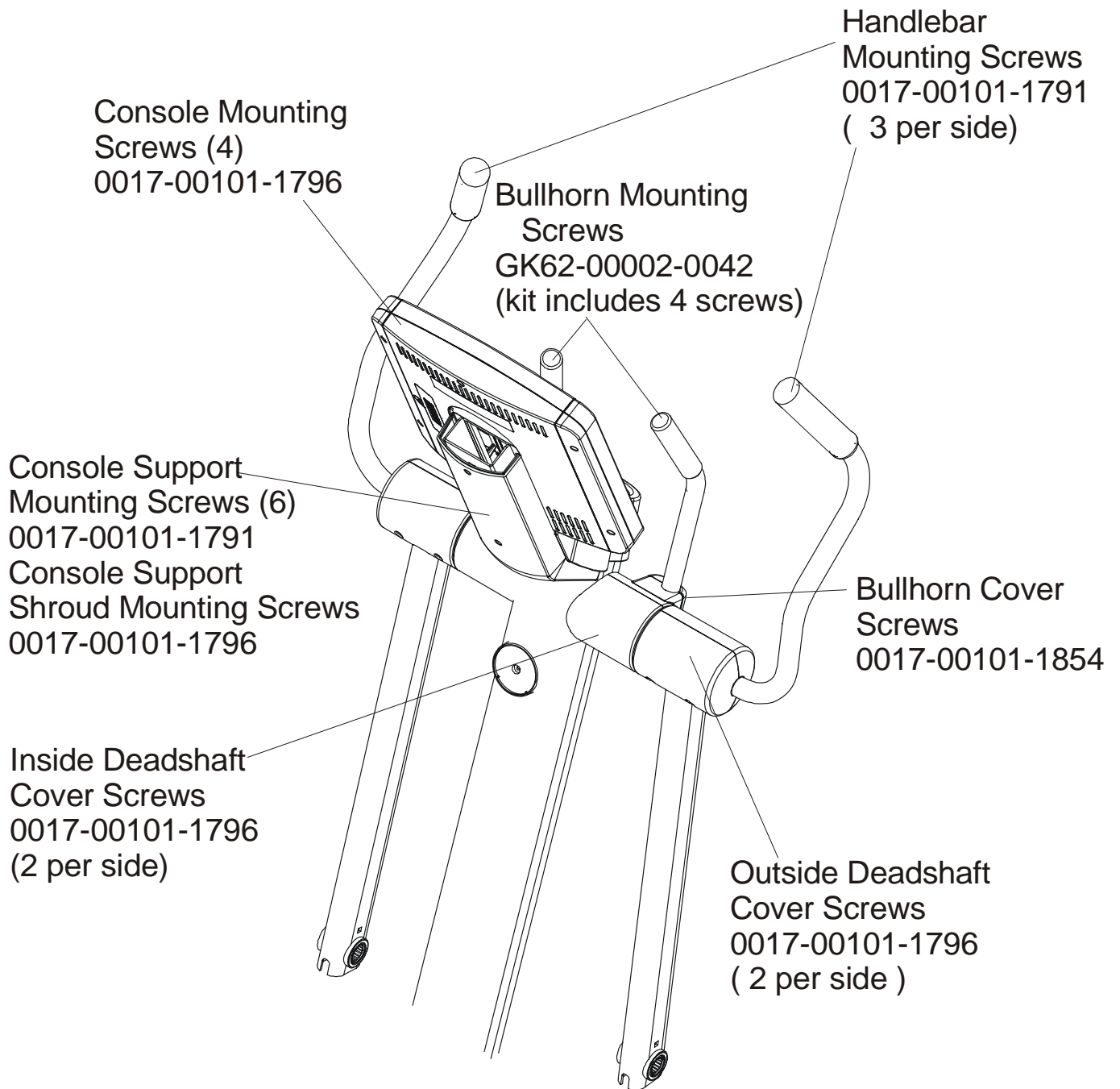
ARCTIC SILVER 93XW

Upper Frame Hardware

93XW-0XXX-02

S/N AWF100000 and up

Items Not Shown	
Accessory Tray	0K62-01022-0000
Accessory Tray Mounting Screws (2)	0017-00101-1846

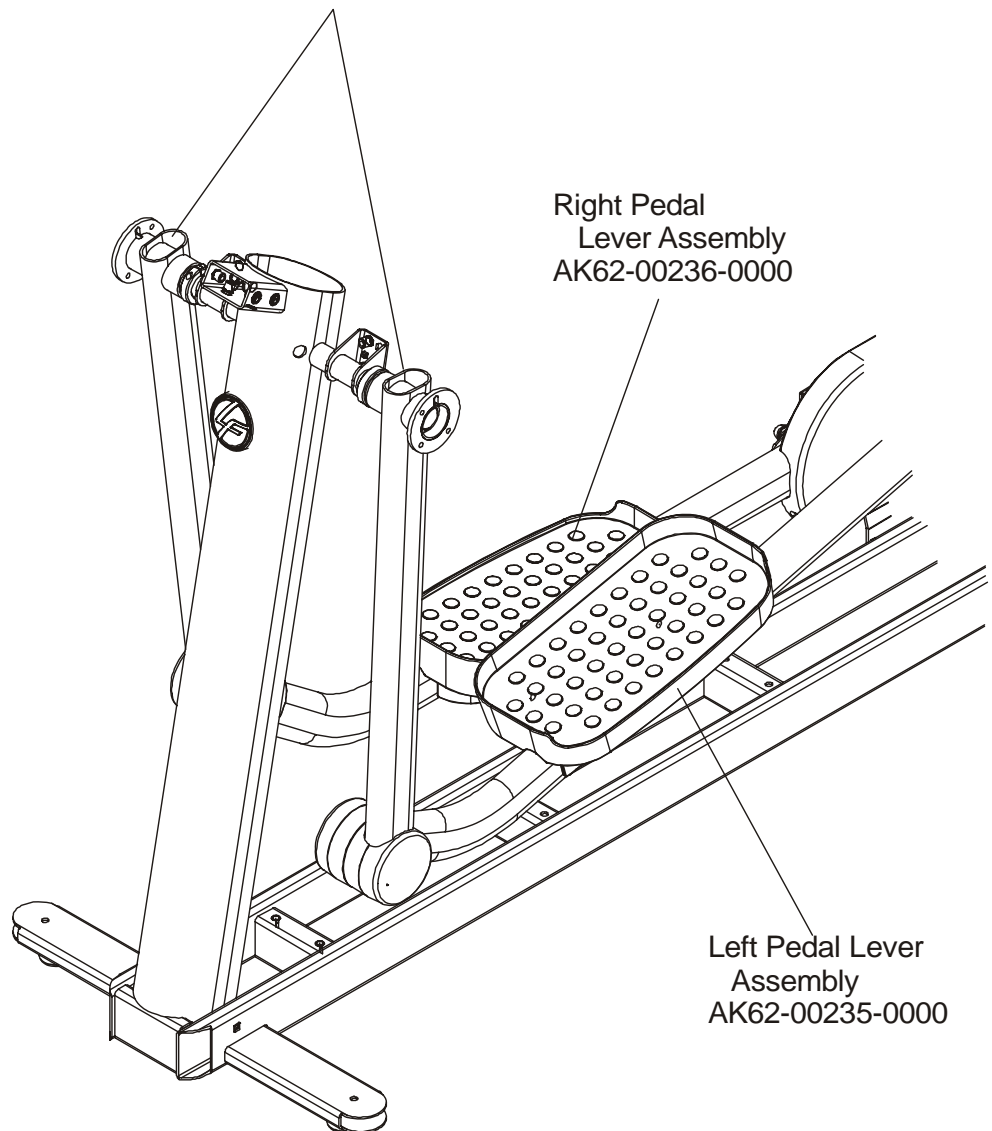


ARCTIC SILVER 93XW
Rocker Arms & Pedal Levers

93XW-0XXX-02
S/N AWF100000 and up

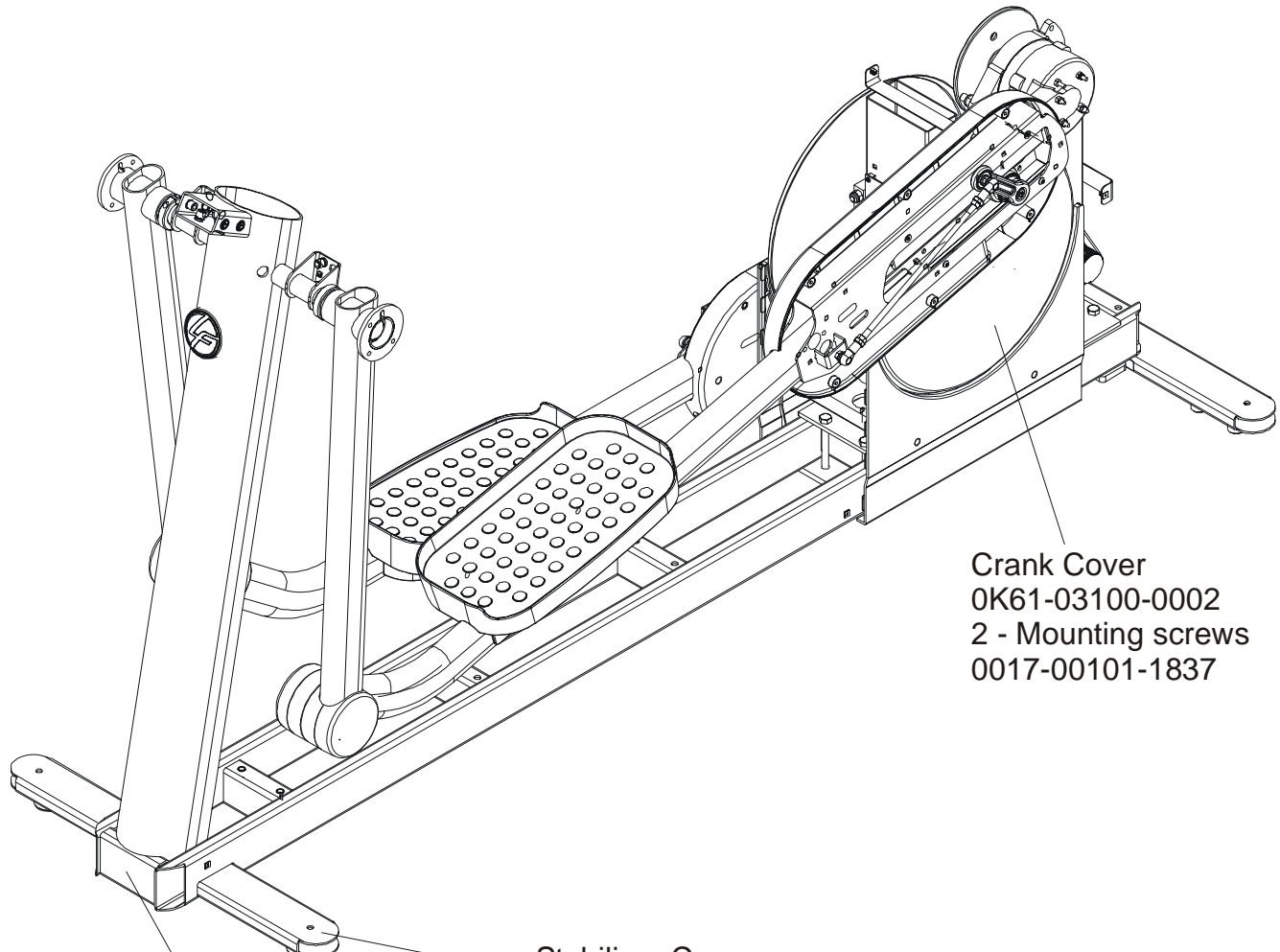
Rocker Arms Kit
GK62-00002-0070
(contains 2 rocker arms,
part no. AK62-00383-0000)

Rocker Arms (2)
AK62-00383-0000
Shaft Collar w/Screws
OK61-01259-0000
Retaining Ring
0017-00100-0178
Metal Thrust Washer
OK62-01307-0000
Oillite Washer
OK62-01305-0000



ARCTIC SILVER 93XW
Crank Cover and Lower Caps

93XW-0XXX-02
S/N AWF100000 and up



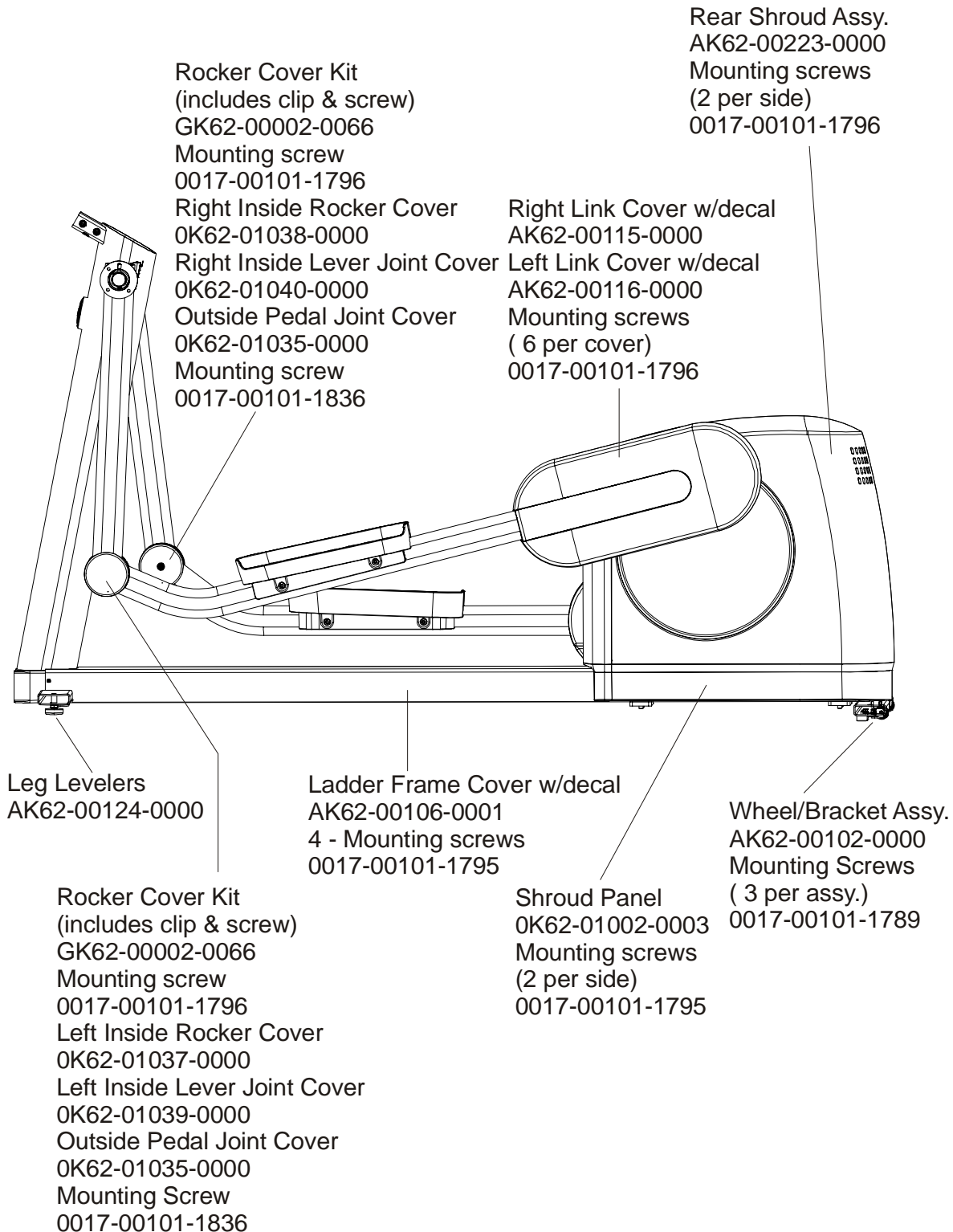
Crank Cover
OK61-03100-0002
2 - Mounting screws
0017-00101-1837

Stabilizer Caps
4 - OK62-01003-0000

Front frame Cap
OK62-01004-0000
Mounting Screws
(Located on front sides of Ladder Frame Cover)
2- 0017-00101-1795

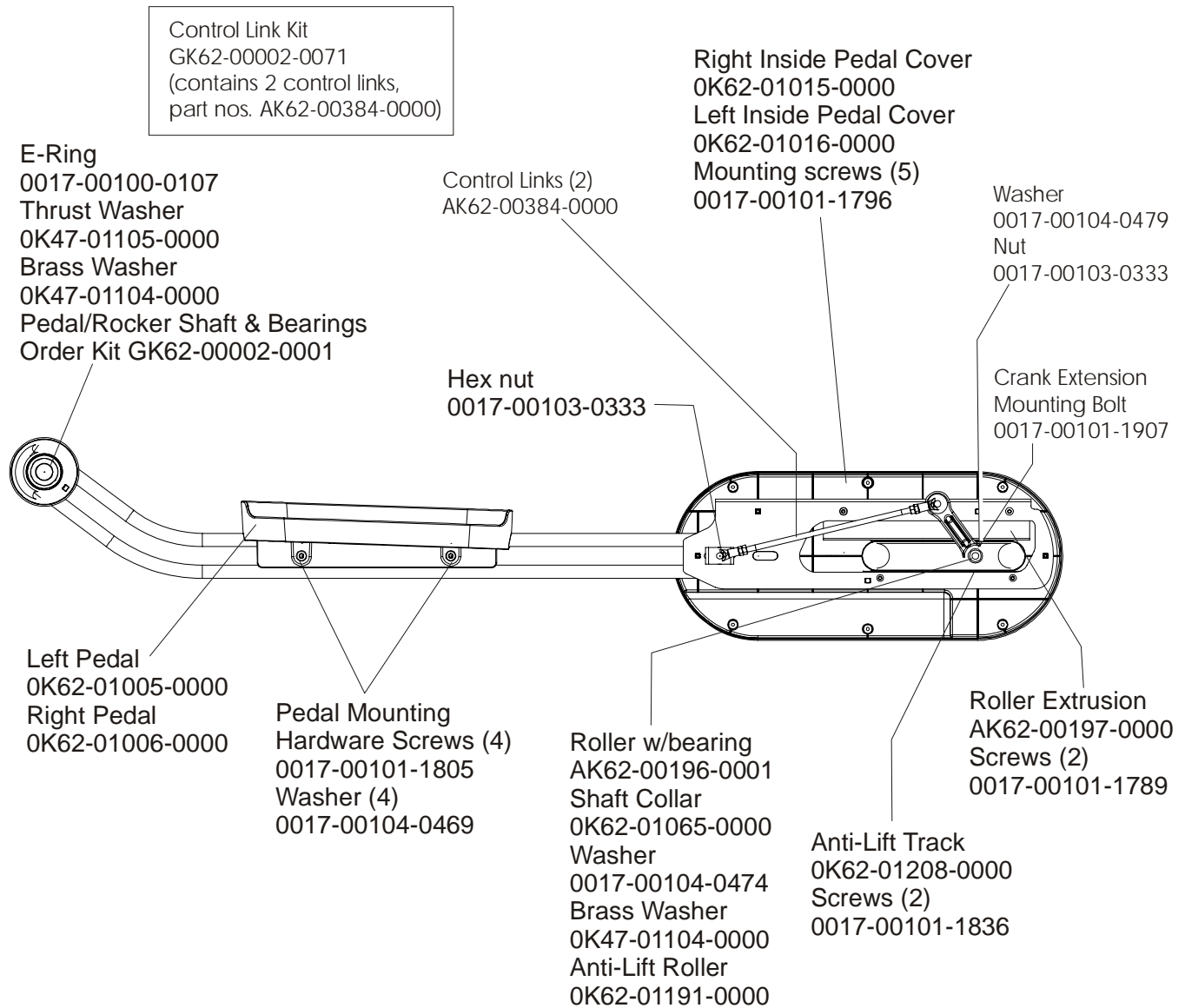
ARCTIC SILVER 93XW
Lower Frame Shrouds & Hardware

93XW-0XXX-02
S/N AWF100000 and up



ARCTIC SILVER 93XW
Pedal Lever Assembly Components

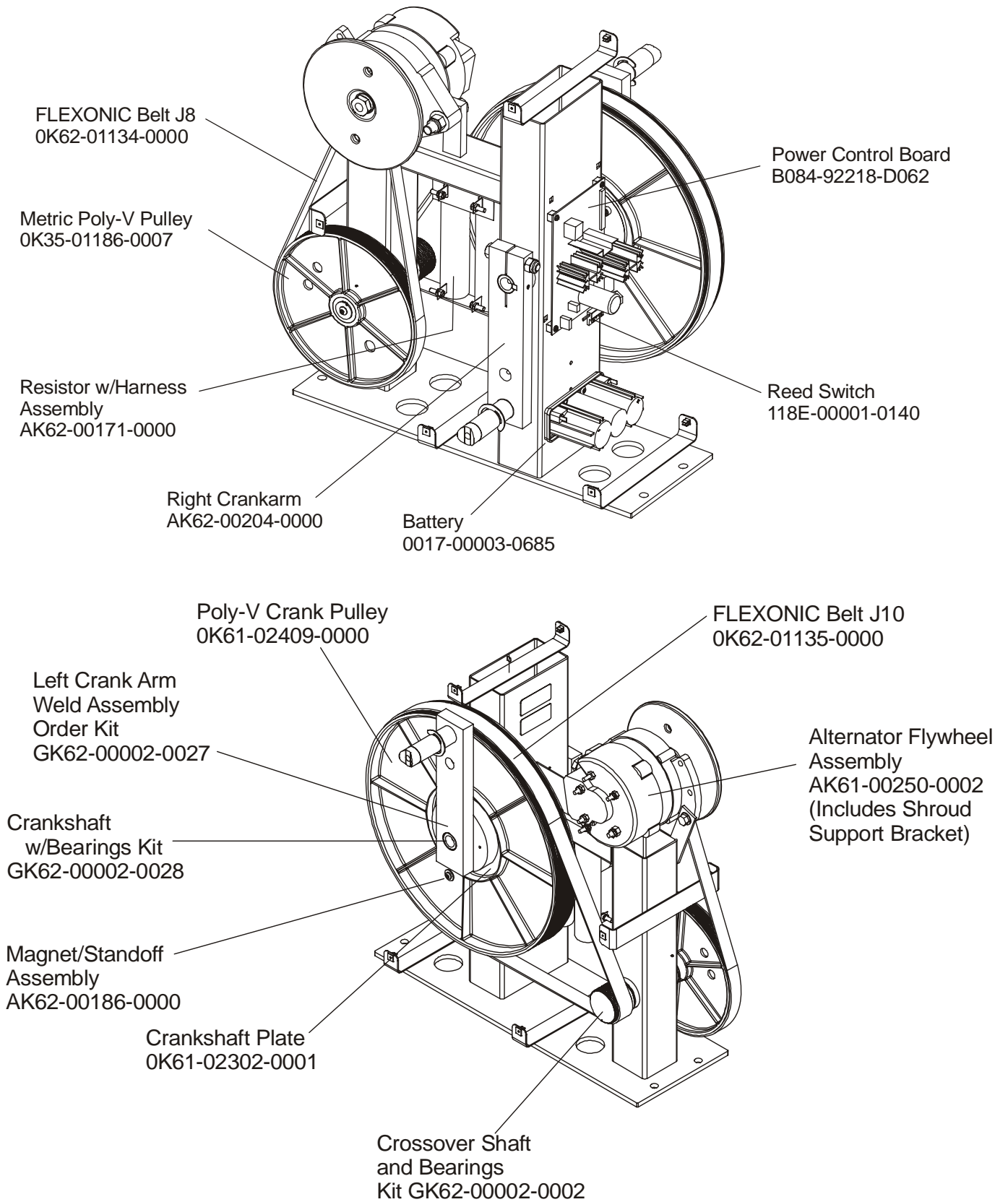
93XW-0XXX-02
S/N AWF100000 and up



Note: If replacing the Tie Rod Assembly or Crank Extension for the first time, order kit GK62-00002-0015. Both sides must be replaced simultaneously in this situation.

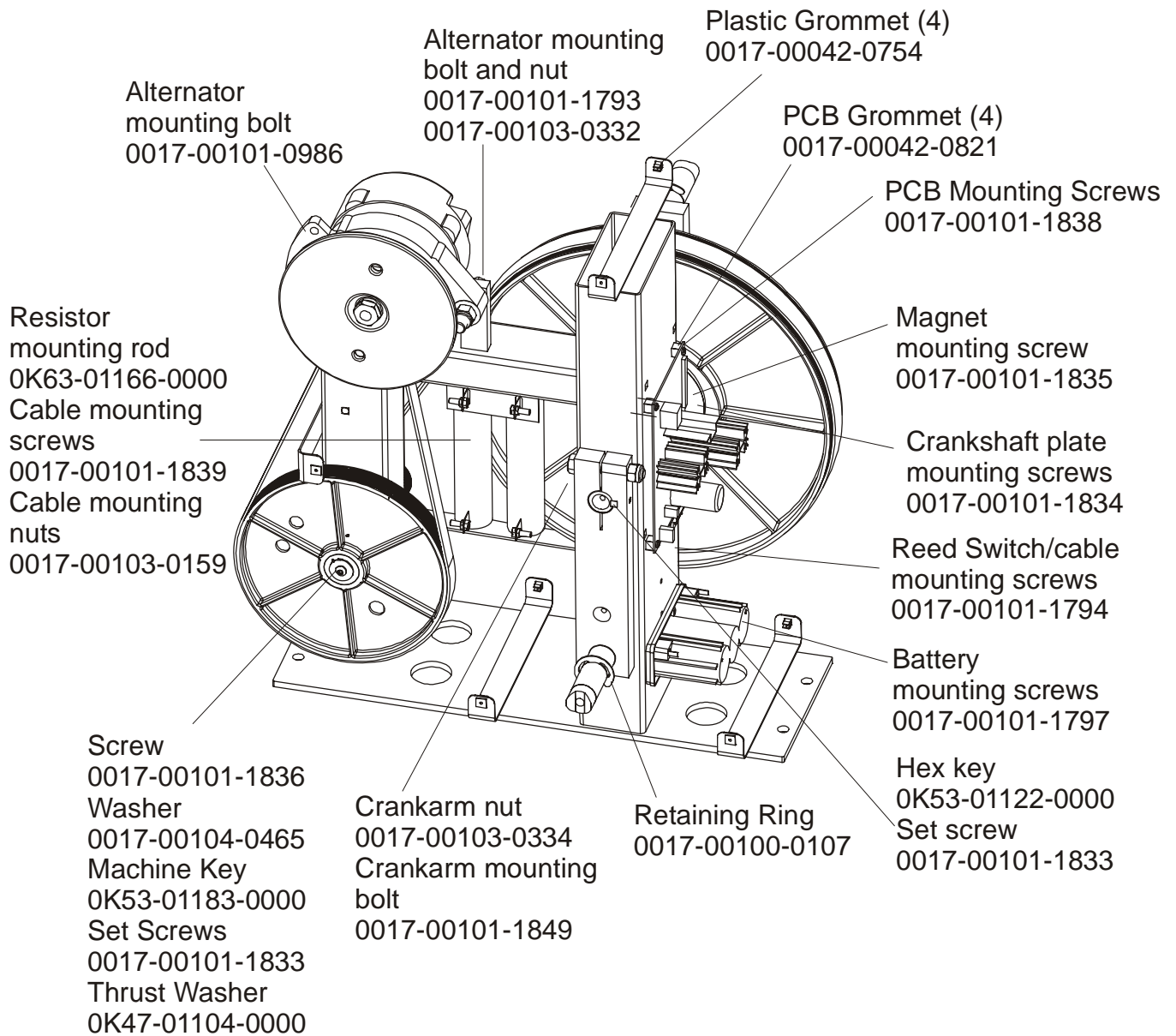
ARCTIC SILVER 93XW
Drive Module components & Cable

93XW-0XXX-02
S/N AWF100000 and up



ARCTIC SILVER 93XW
Drive Module Hardware

93XW-0XXX-02
S/N AWF100000 and up



ARCTIC SILVER 93XW

Cables

93XW-0XXX-02
S/N AWF100000 and up

