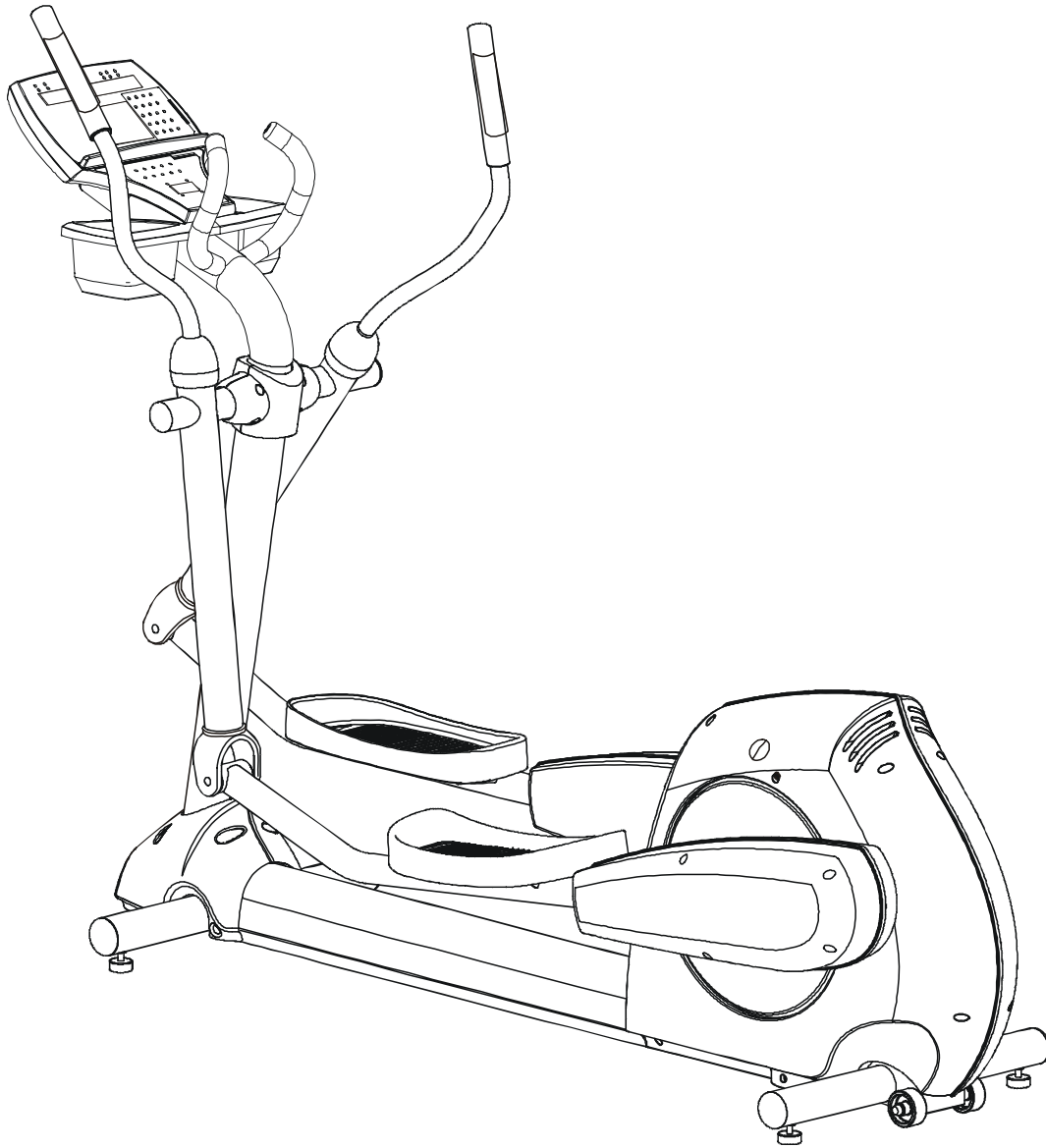


LifeFitness

CROSS-TRAINER 91X-0XXX-01



Customer Support Services **PARTS MANUAL** revised 26 Feb 2008

**91X CROSS-TRAINER
REFERENCES**

**91X-0XXX-01
S/N XTF100000 and UP**

MANUAL: OPER; 91X; ENG X	M051-00K61-A093
MANUAL: SERVICE; 91X	M051-00K61-A097
ARCTIC SILVER TOUCH UP PAINT: SPRAY CAN .5 OZ BOTTLE W/APPLICATOR .33 OZ PEN	0017-00008-0204 0017-00008-0205 0017-00008-0206
STEALTH GRAY TOUCH UP PAINT (FOR ROCKER ARMS): SPRAY CAN .5 OZ BOTTLE W/APPLICATOR	0017-00008-0199 0017-00008-0198
HARDWARE BAG	AK61-00181-0000

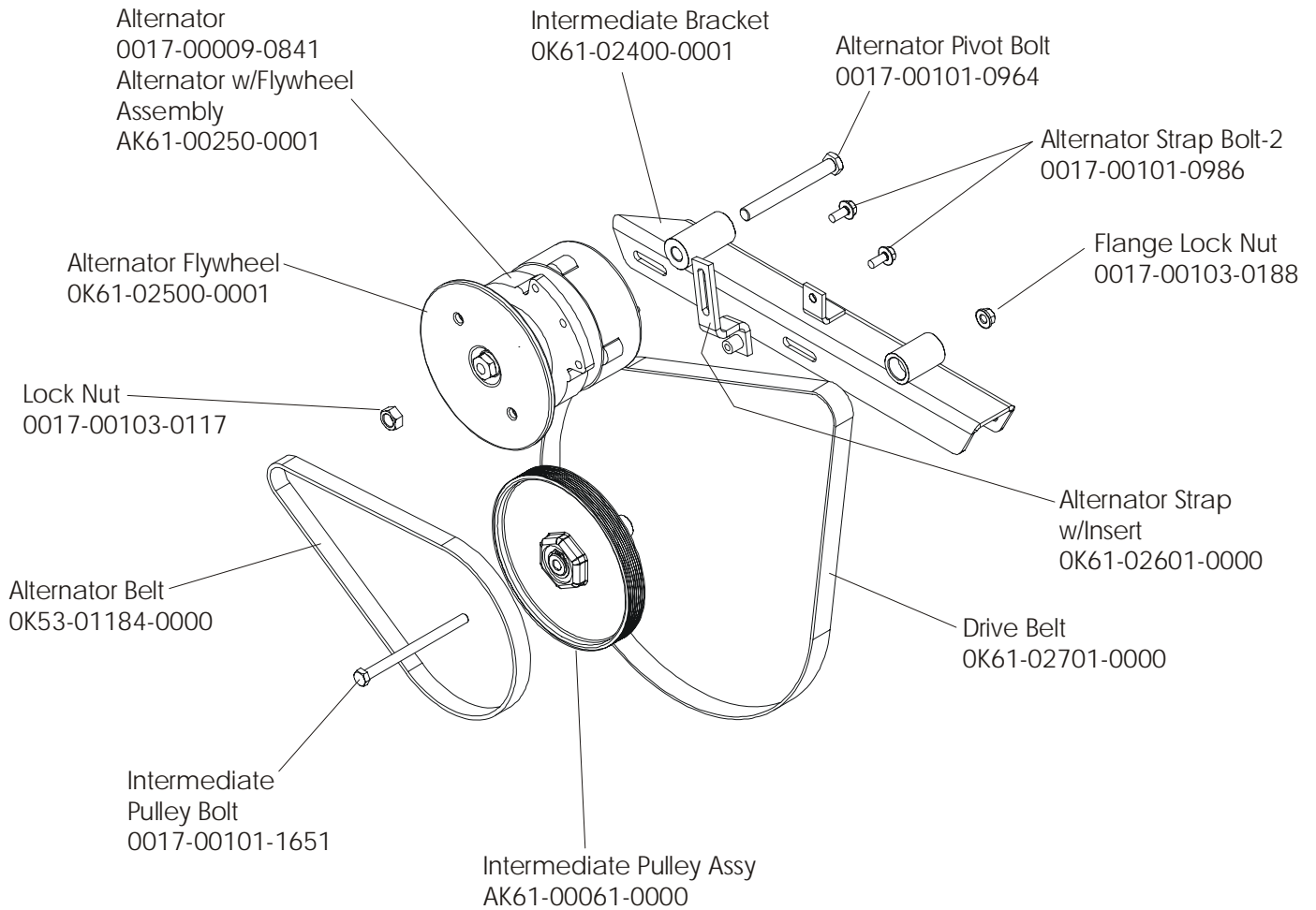
UNLABELED PARTS	
DESCRIPTION	PART NO.
BATTERY: 6V; 2.5AH C	0017-00003-0685
1/4 -20X 5 HXL NO L CUP ST BO B	0017-00101-0333
SHAFT: PEDAL-LEVER; CLEVIS B	OK61-01076-0000
KIT: SERV; POLAR-RCVR; TESTED BM	SK40-00045-0001

The 91X-0XXX-01 has both Telemetry and LifePulse sensors for Heart Rate.

	Page
DRIVE BELTS AND ALTERNATOR.....	4
CONSOLE SUPPORT ASSEMBLY.....	5
CONSOLE ASSEMBLY	6
ROLLER ASSEMBLY	7
CRANKSHAFT ASSEMBLY	8
DRIVE LINKAGE ASSEMBLY.....	9
ANTI-LIFT BRACKET AND OUTER PEDAL COVERS.....	10
FRAME ASSEMBLY	11
CLEVIS AND FRONT FRAME COVERS	12
PEDAL LEVER ASSEMBLY.....	13
ROCKER ARM COVERS	14
ROCKER ARM ASSEMBLY	15
REAR DRIVE SHROUDS W/DECALS.....	16
UPPER ARM / HEART RATE ASSEMBLY	17
CABLES.....	18

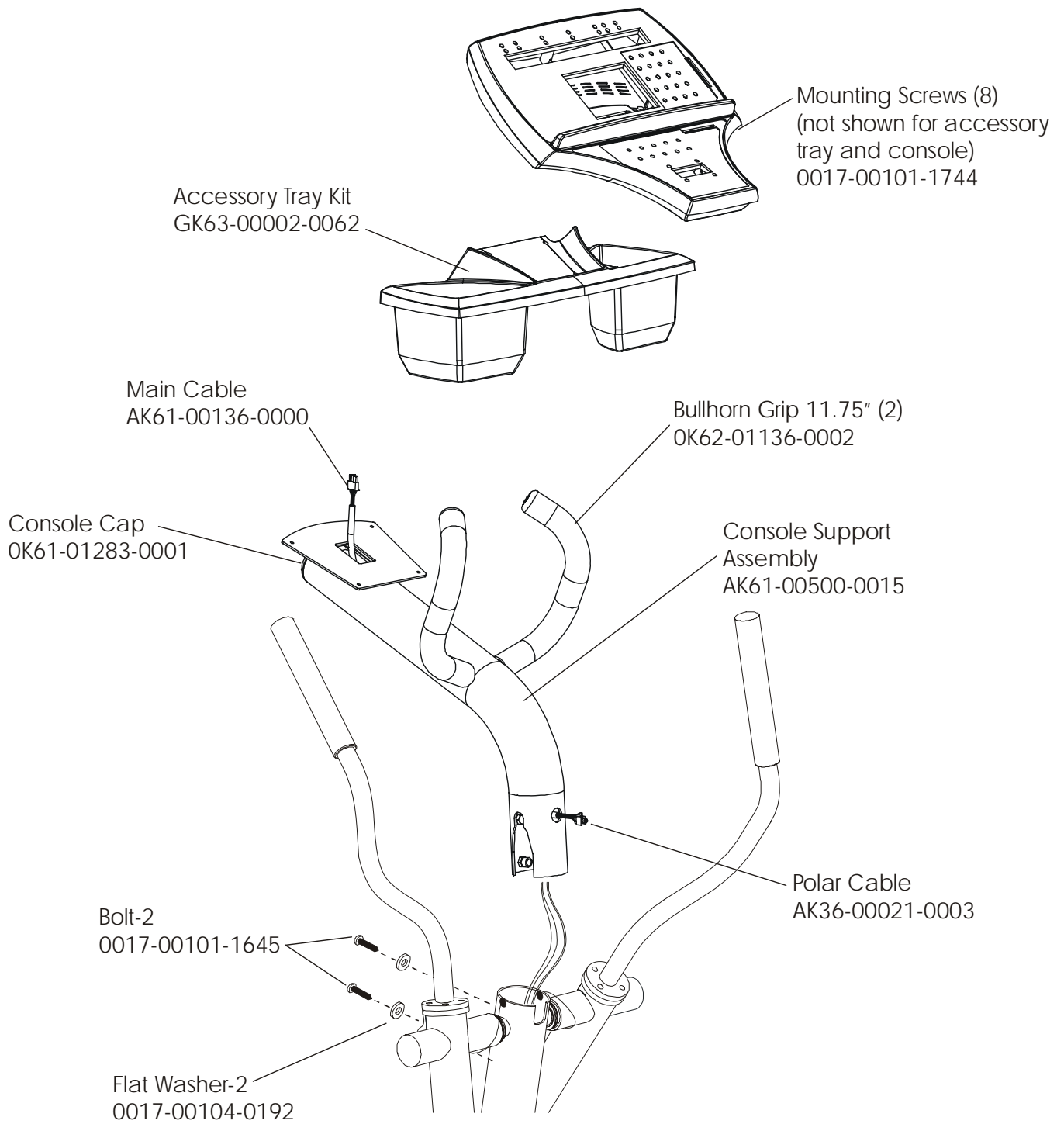
91X CROSS-TRAINER
DRIVE BELTS AND ALTERNATOR

91X-0XXX-01
S/N XTF100000 and UP



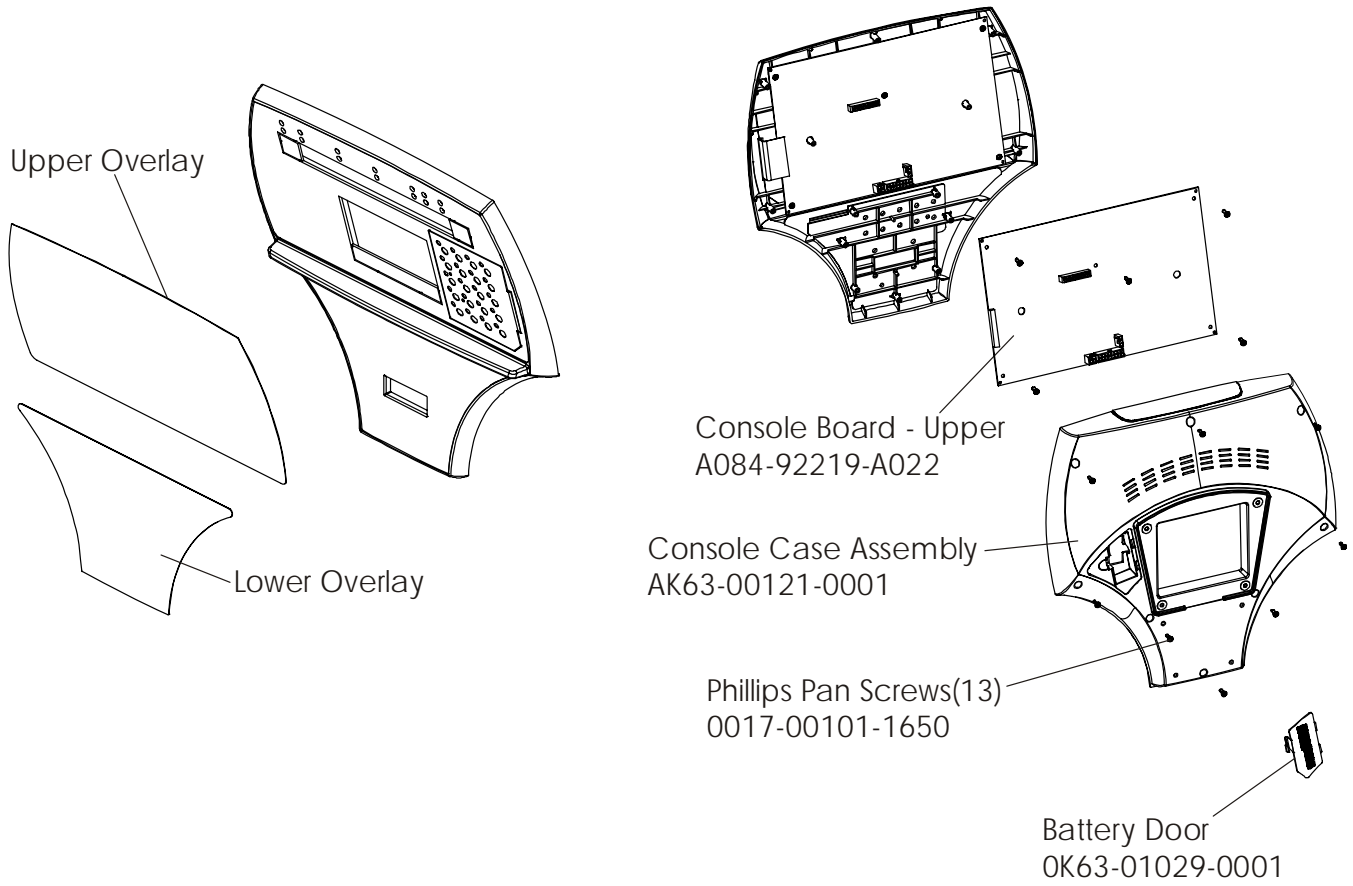
**91X CROSS-TRAINER
CONSOLE SUPPORT ASSEMBLY**

**91X-0XXX-01
S/N XTF10000 and UP**



**91X CROSS-TRAINER
CONSOLE ASSEMBLY**

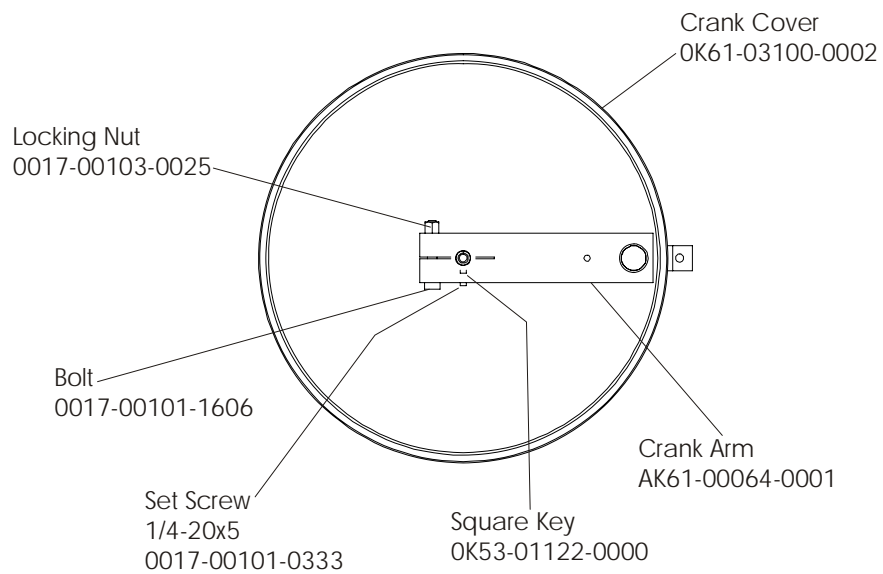
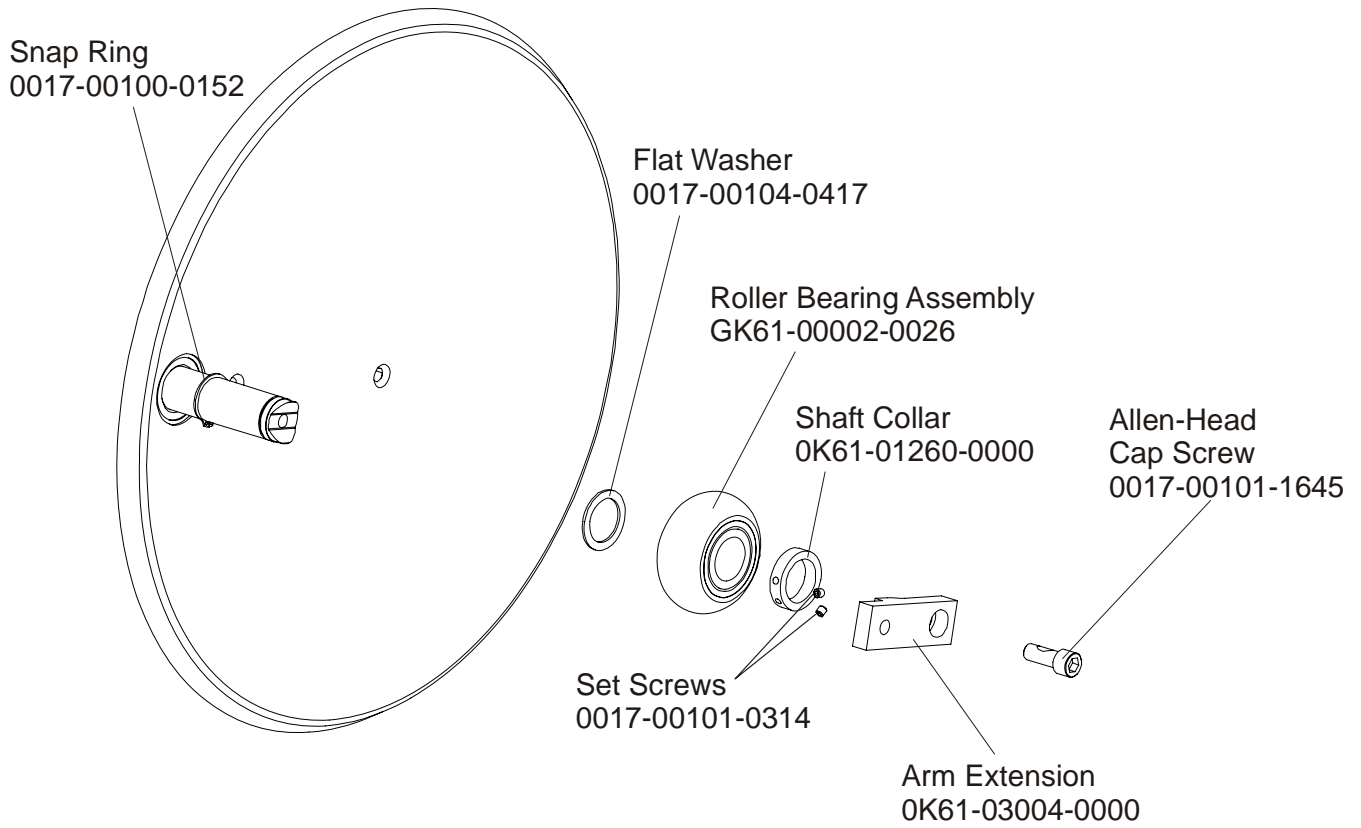
**91X-0XXX-01
S/N XTF100000 and UP**

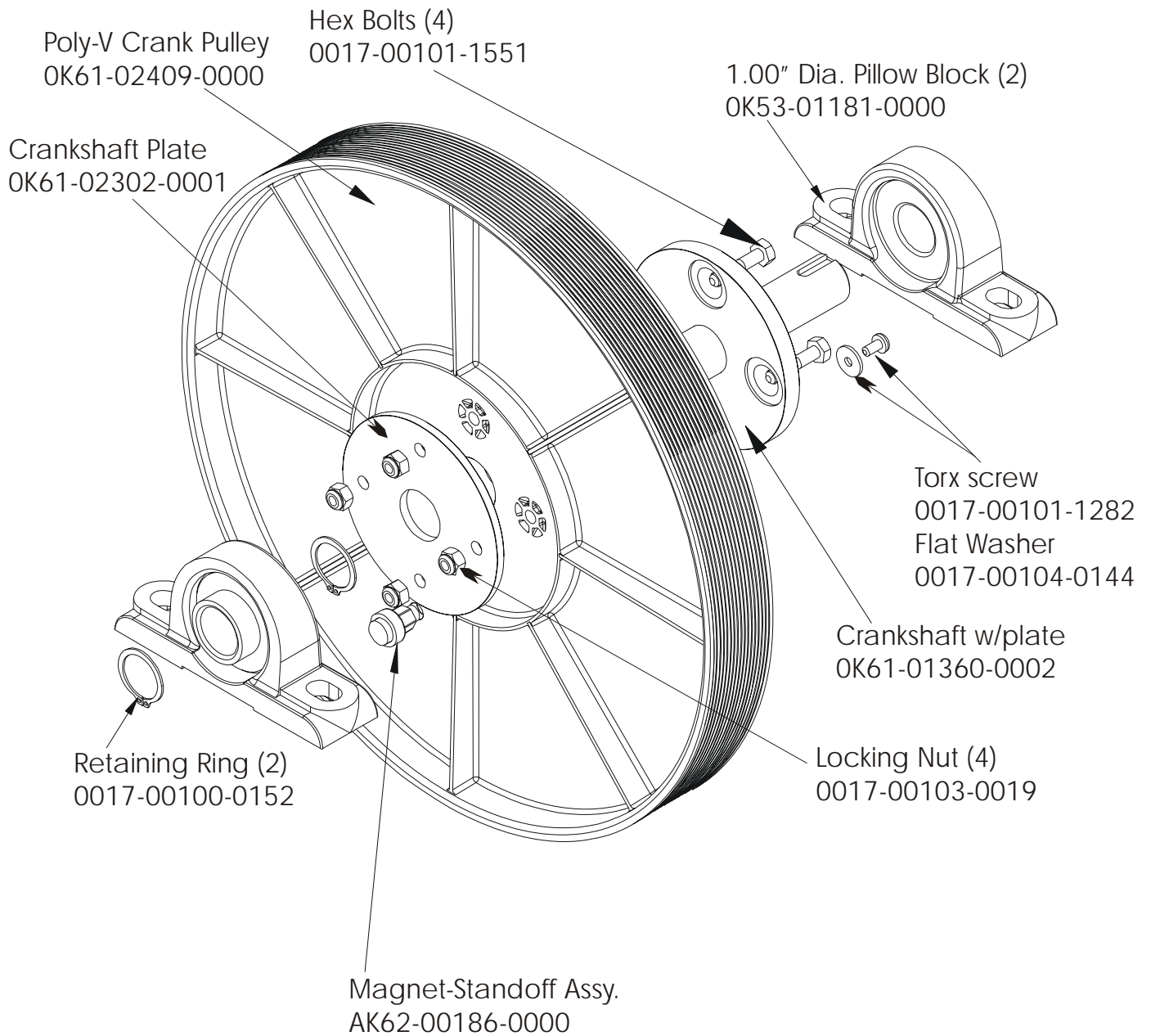


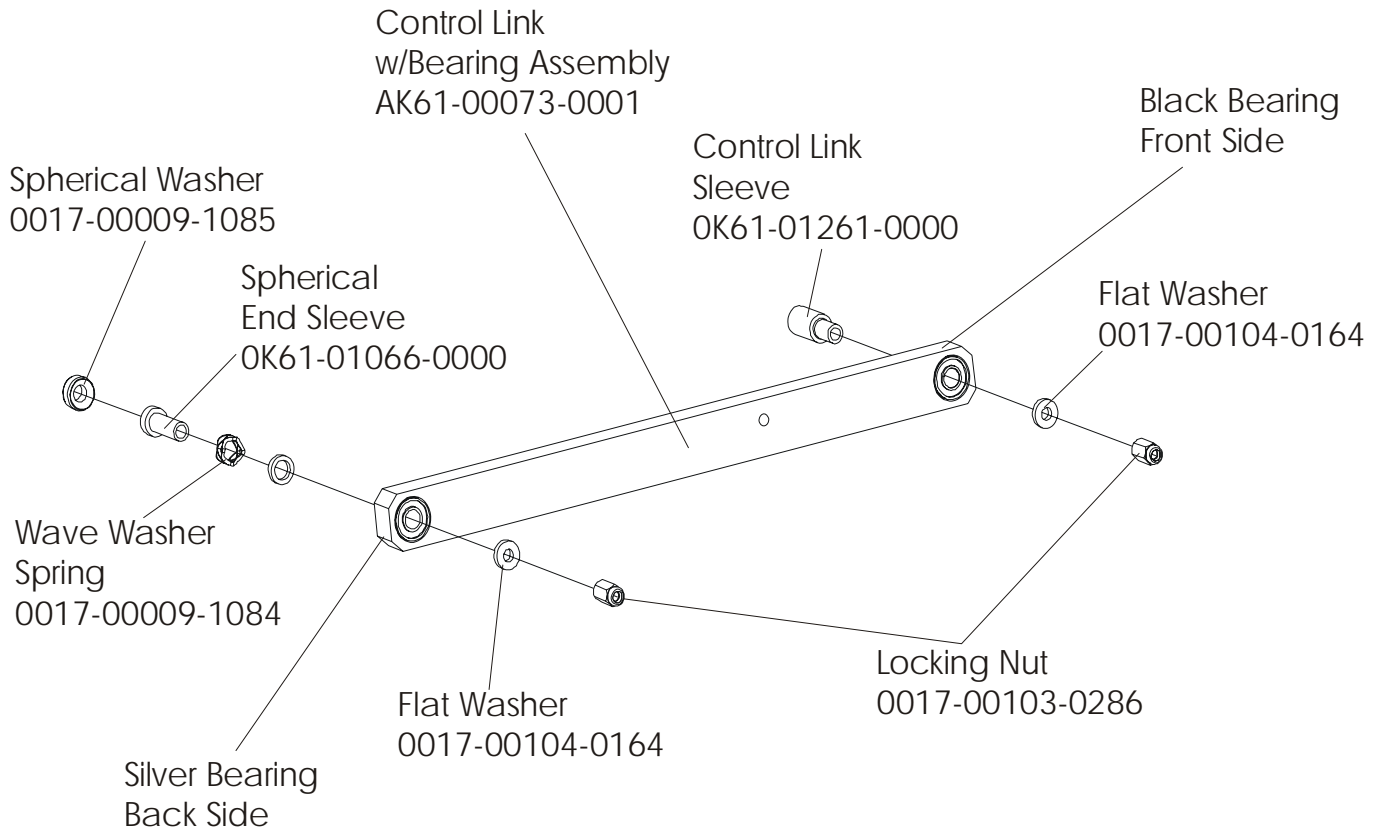
Console Assembly	Overlay/Bezel/ Switch Assembly
AK61-00203-0001 Eng/Eng	AK61-00183-0001
AK61-00203-0002 Eng/Met	AK61-00183-0001
AK61-00203-0004 Spn/Met	AK61-00183-0004
AK61-00203-0007 Frn/Met	AK61-00183-0007
AK61-00203-0010 Por/Met	AK61-00183-0010

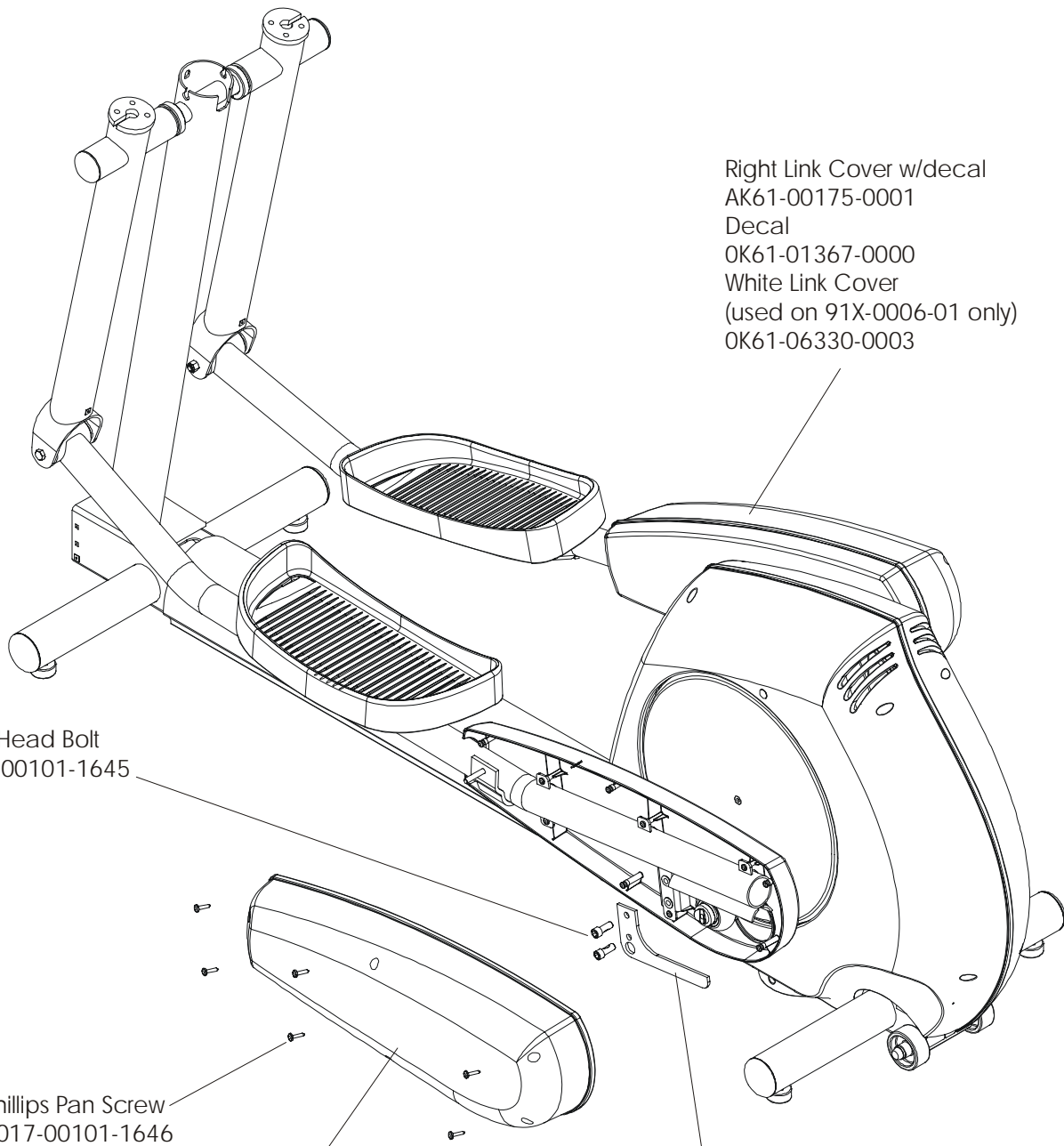
**91X CROSS-TRAINER
ROLLER ASSEMBLY**

**91X-0XXX-01
S/N XTF100000 and UP**









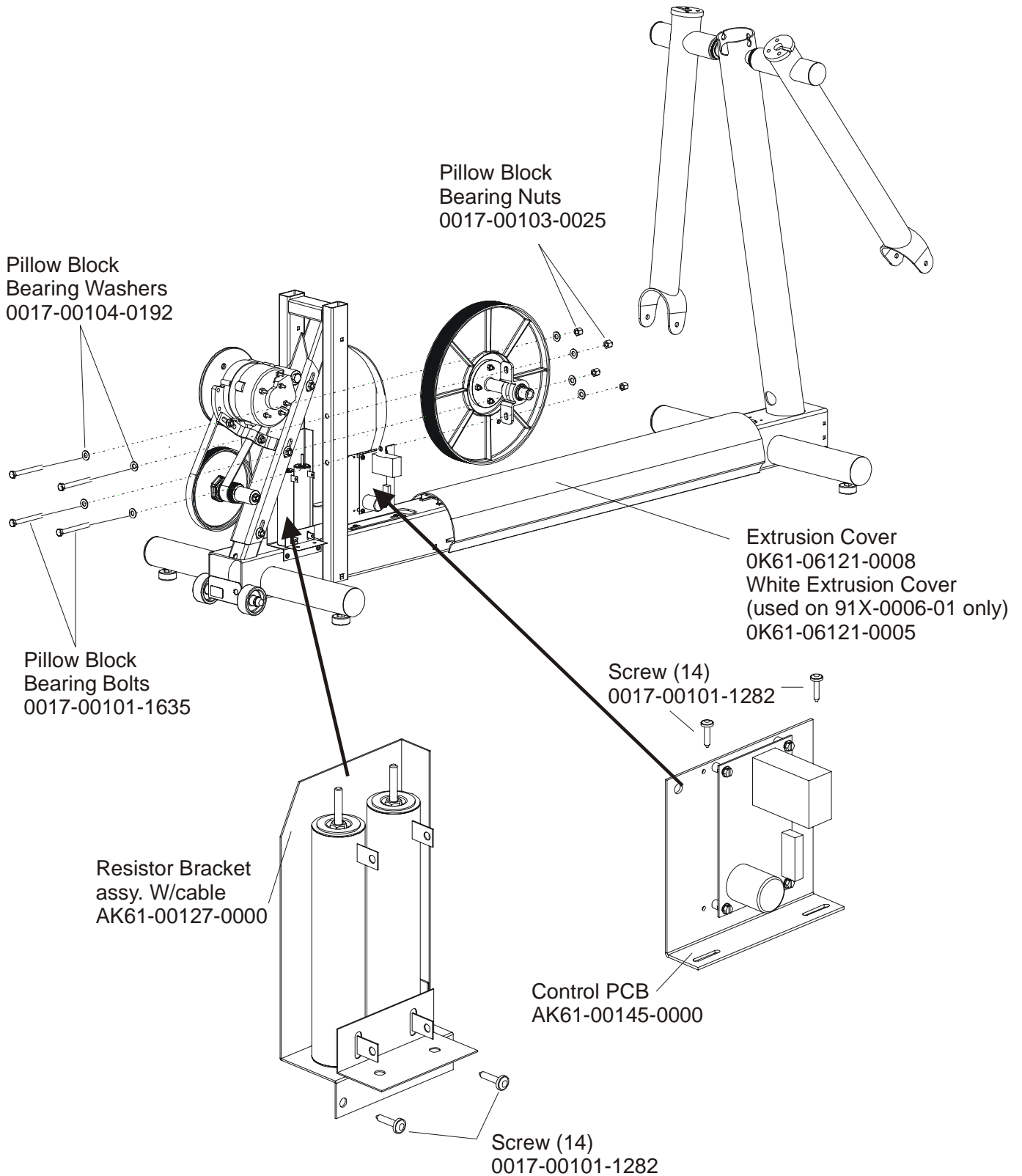
Right Link Cover w/decals
AK61-00175-0001
Decal
OK61-01367-0000
White Link Cover
(used on 91X-0006-01 only)
OK61-06330-0003

Allen Head Bolt
0017-00101-1645

Phillips Pan Screw
0017-00101-1646

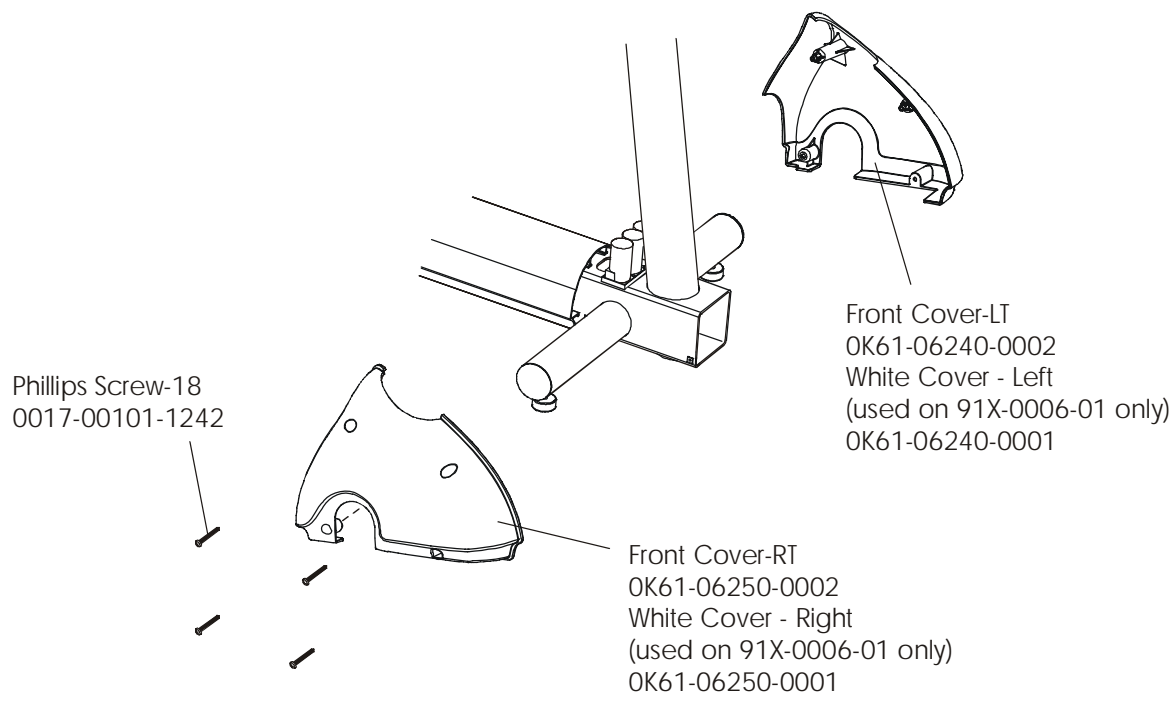
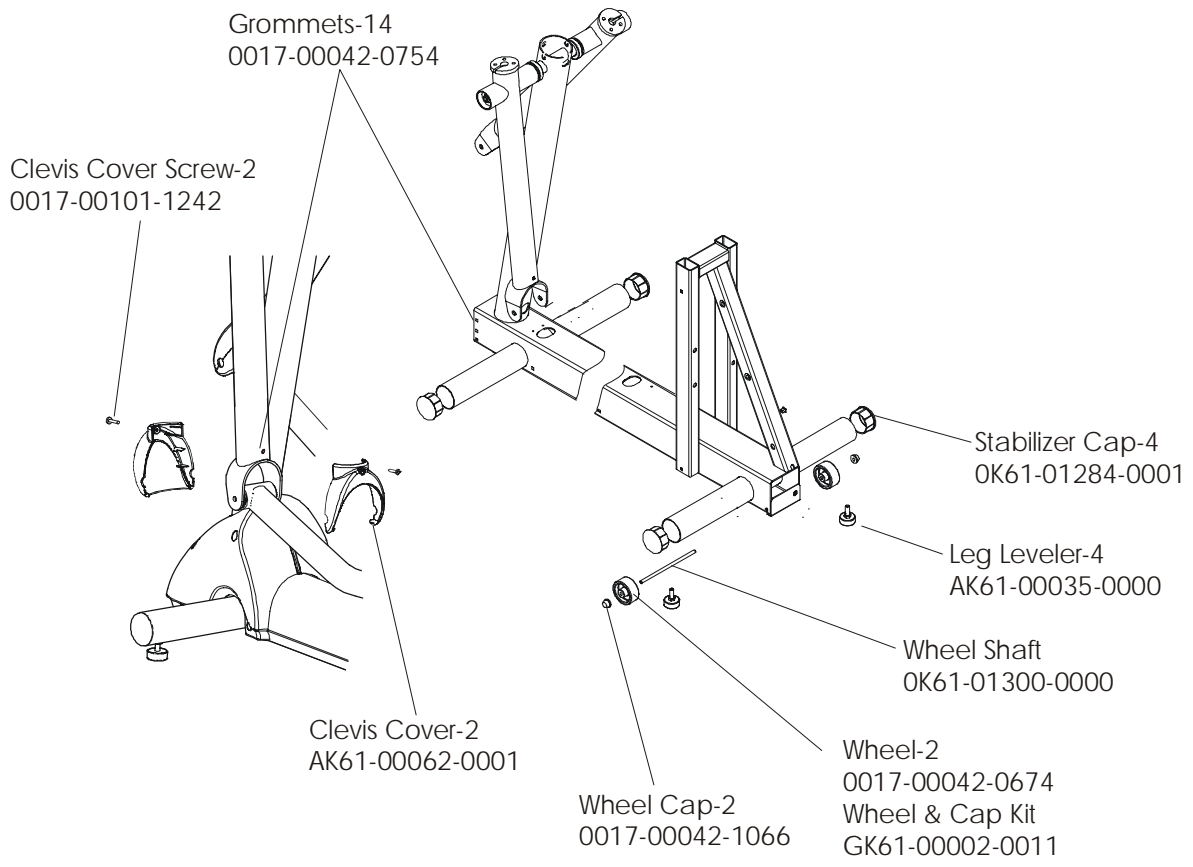
Left Link Cover w/decals
AK61-00175-0002
Decal
OK61-01367-0000
White (used on 91X-0006-01 only)
OK61-06310-0003

Roller Retainer Plate
OK61-04114-0000



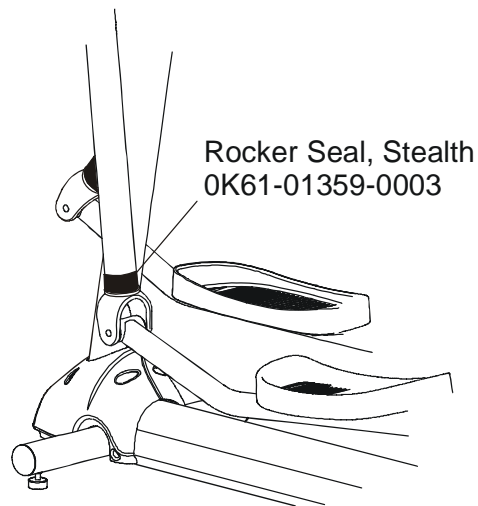
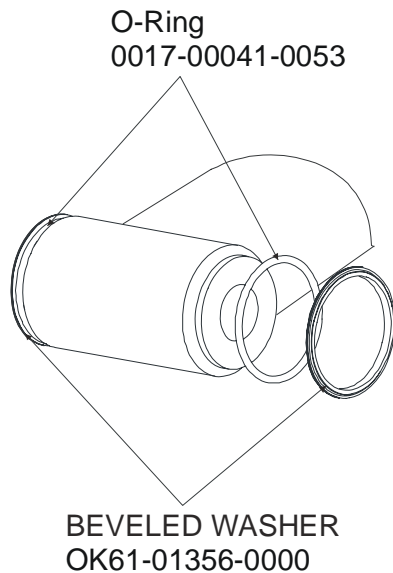
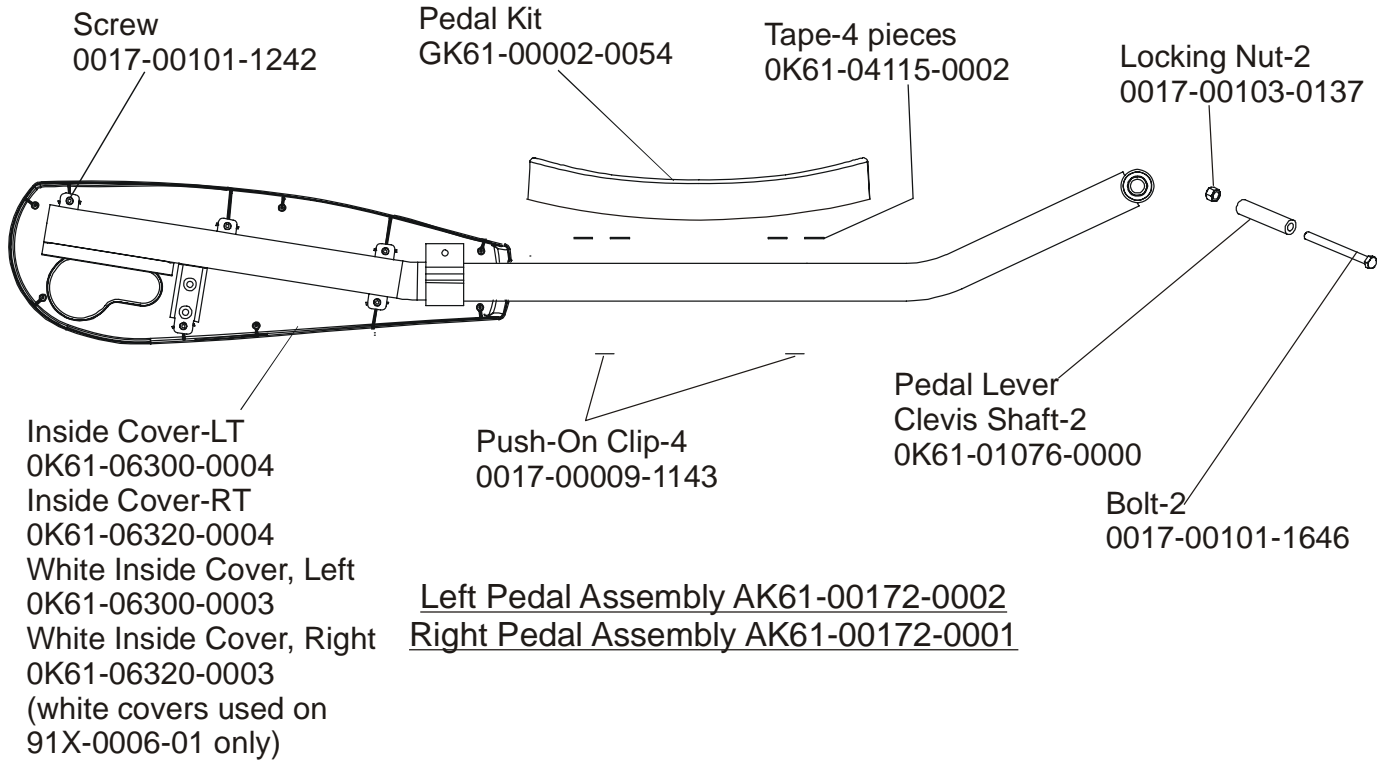
CLEVIS & FRONT FRAME COVERS

S/N XTF10000 and UP



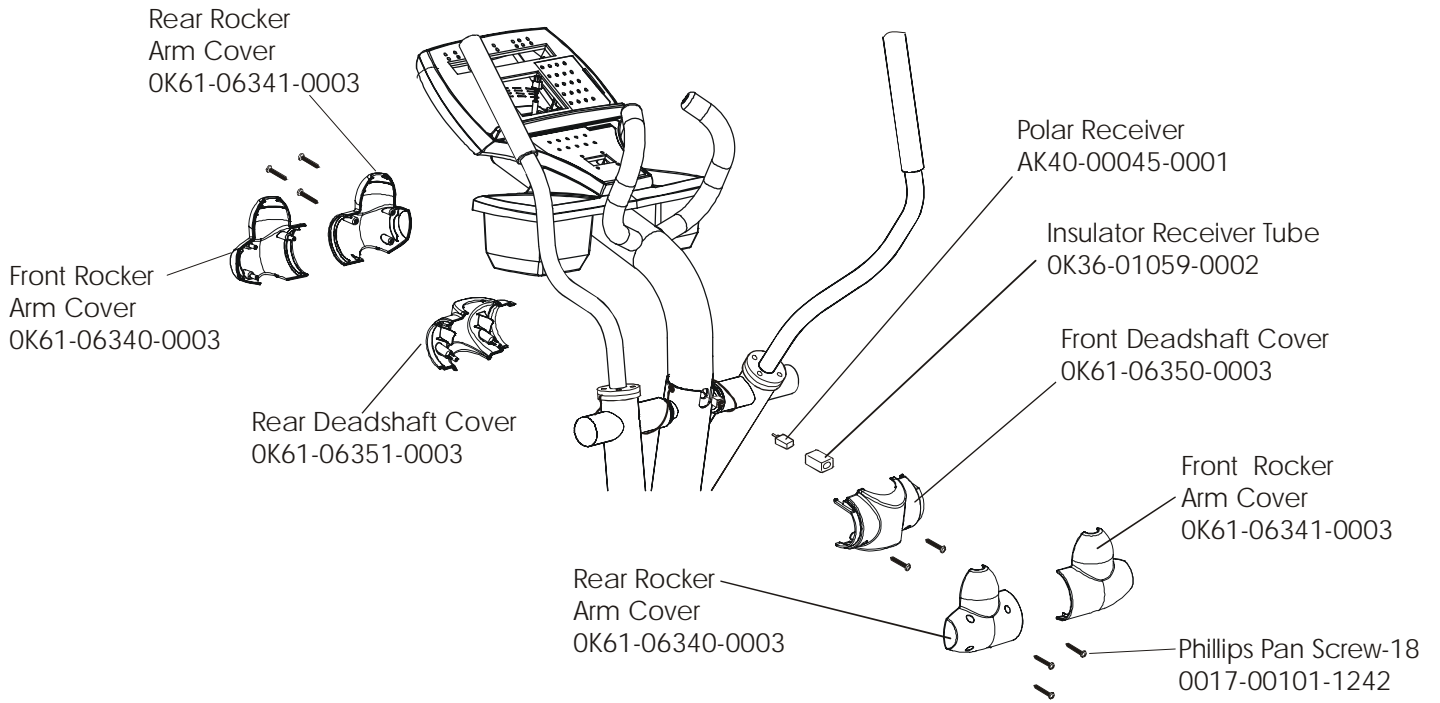
PEDAL LEVER ASSEMBLY

S/N XTF10000 and UP



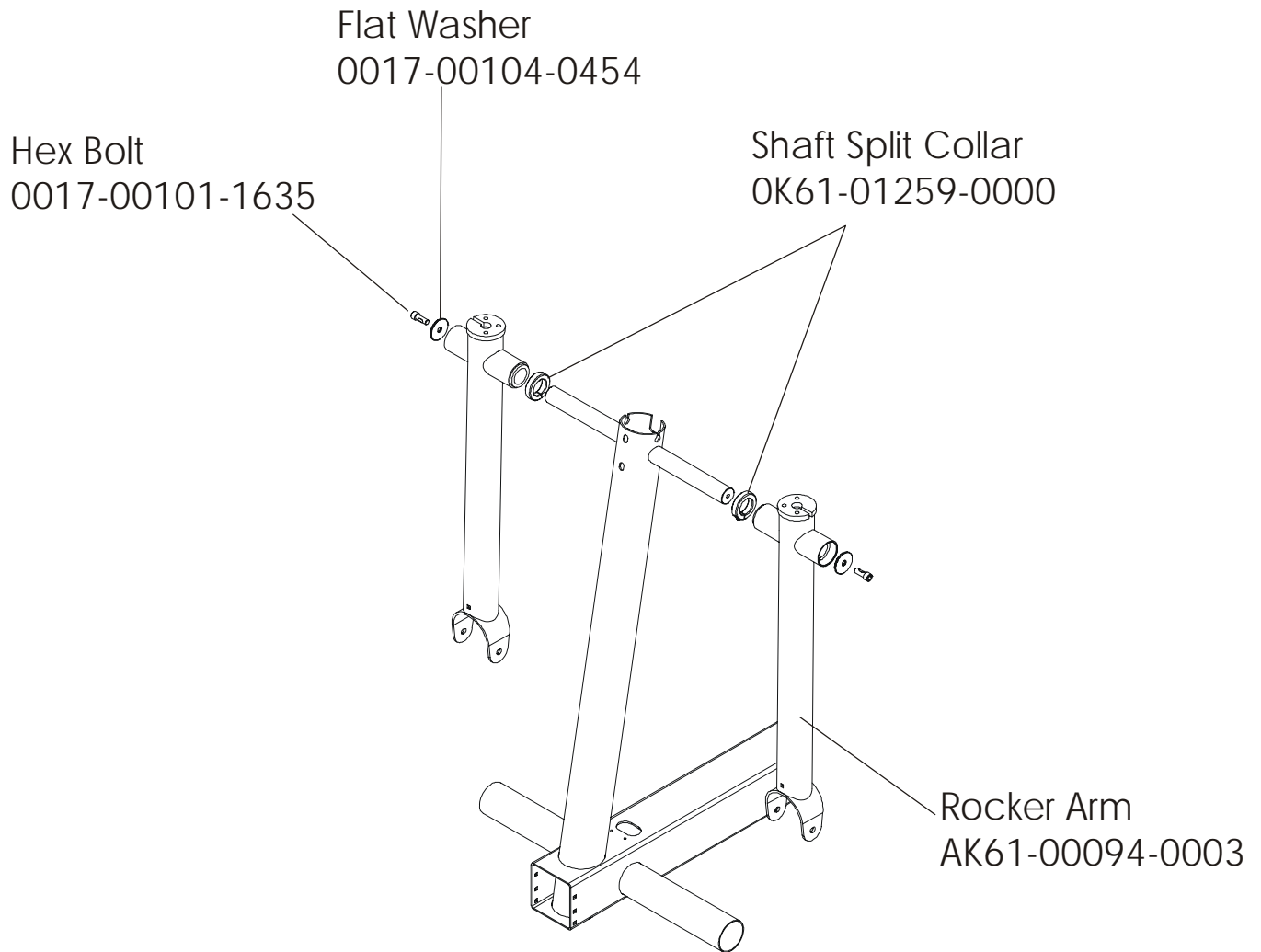
ROCKER ARM COVERS

S/N XTF100000 and UP



ROCKER ARM ASSEMBLY

S/N XTF100000 and UP

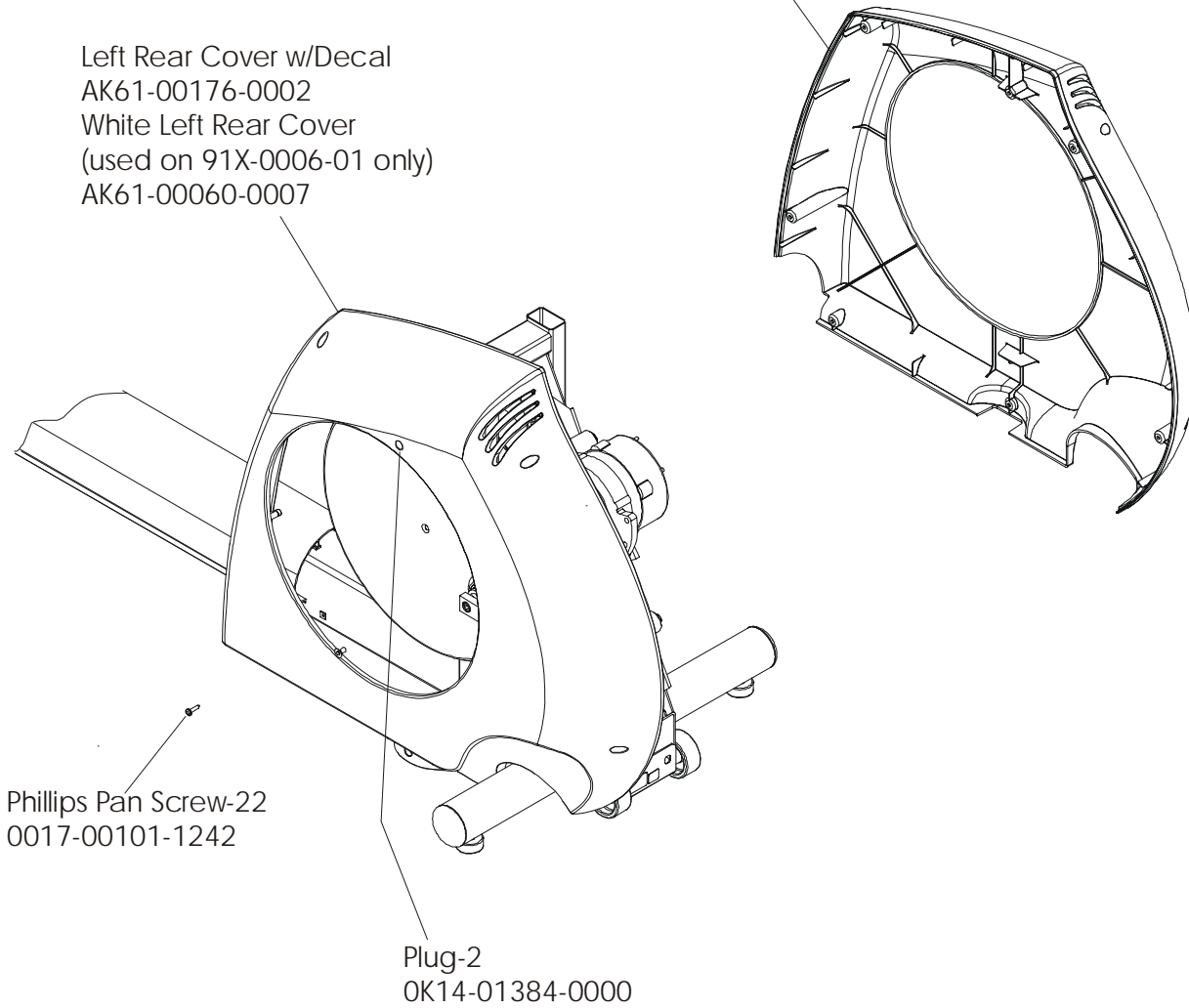


REAR DRIVE SHROUDS W/DECALS

S/N XTF100000 and UP

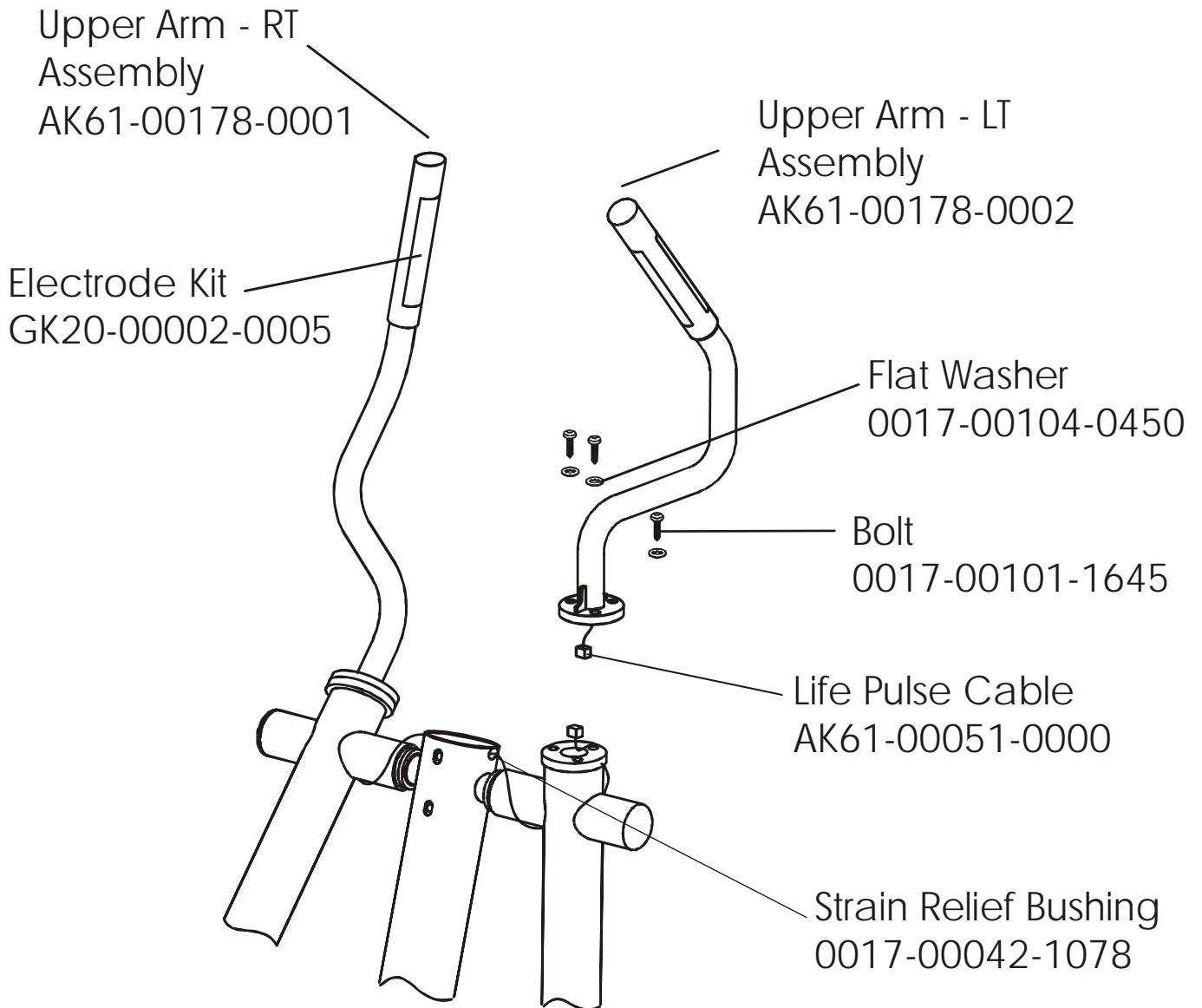
Right Rear Cover w/Decal
AK61-00176-0001
White Right Rear Cover
(used on 91X-0006-01 only)
AK61-00060-0008

Left Rear Cover w/Decal
AK61-00176-0002
White Left Rear Cover
(used on 91X-0006-01 only)
AK61-00060-0007



UPPER ARM/HEART RATE ASSEMBLY

S/N XTF100000 and UP



CABLES

S/N XTF10000 and UP

