

## 5.8Ghz 32CH 2000mw transmitter with digital display SKY-N2000

# User Manual

## Catalogue

<b>Product Instruction</b> .....
<b>Specification</b> .....
<b>Channel Frequency</b> .....
<b>Schematic diagram</b> .....
<b>Wiring Diagram</b> .....
<b>Screen Display</b> .....
<b>Boot Logo</b> .....
<b>Operation Guide</b> .....
<b>Precautions</b> .....
<b>Packing Accessories List</b> .....

## Product Instruction

Welcome to enjoy the Skyzone wireless AV transmitter. SkyZone products have forged a reputation for quality and reliability and are tested and developed by FPV pilots for FPV pilots.

The SKY-N2000 Transmitter packs a whopping 2000mW of ultra clean 5.8GHZ power! A must for those looking for longer range and locked in video. The N2000 can transmit a full range of 32 channels and comes with a clean pre-wired harness, it's perfect for any long range aircraft!

The N2000 boasts an impressive new feature, the transmitting band and channel can be changed remotely by the user with a 3 position switch on their radio. This means you can quickly change to a clear band and frequency should you encounter interference on your existing channel.

## Features:

- 128\*64 super bright color digital display with High Brightness & Contrast , clearly visible under the sun
- Channel and Frequency clearly visible on screen
- Output power 2w, distance no less than 2Km with 2dbi Omni directional antenna
- 2Ch video input, Remote channel switching via spare channel on RC transmitter
- Support 2-6S battery and low battery alarm
- Battery Voltage display
- Screen Display: Current/Temperature/PA Power detection

## Specification:

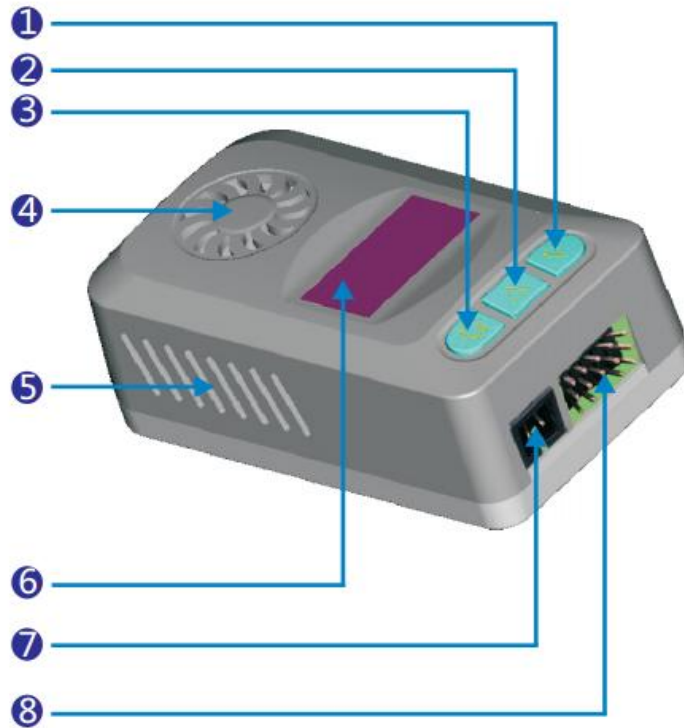
	Test Condition	Min	Typ	Max
Operating Voltage		6.5V	12V	28V
Output Power	@25°C	27dbm	30dbm	33dbm
Antenna Connector			SMA Jack	
Supply current	@12V	0.5A	0.6A	1A
Operating Temperature		-10°C		80°C
Voltage detection accuracy		±0.05V	±0.1V	±0.5V
Current detection accuracy		±0.05A	±0.06AV	±0.2V
Temperature detection accuracy		±5 °C	±5 °C	±10 °C
PA detection accuracy			NA *1	
Video Band Width		5MHz	6MHz	6MHz
Video Input Impedance			75Ω/1Vp-p	
Audio input impedance			6.5M H z	
Audio sub-carrier			4.7KΩ	
Net Wight			g	
Dimensions			cm	

**Note:** \*1 PA results to the chip inside which is different from the output power.

## Channel & Frequency:

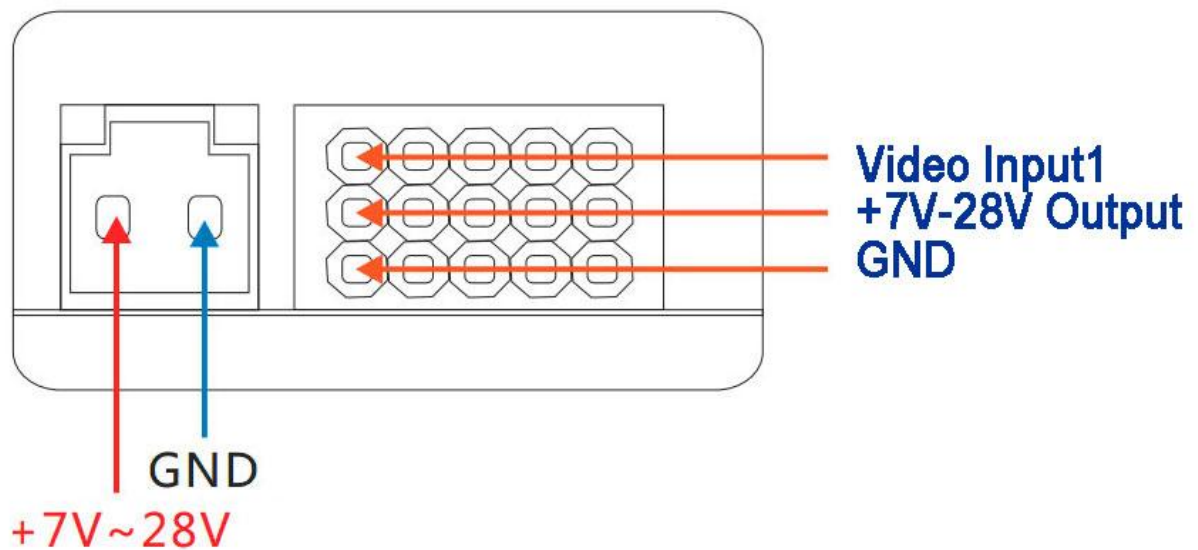
Channel Frequency	A	B	E	F	
CH1	5865	5733	5705	5740	MHz
CH2	5845	5752	5685	5760	MHz
CH3	5825	5771	5665	5780	MHz
CH4	5805	5790	5645	5800	MHz
CH5	5785	5809	5885	5820	MHz
CH6	5765	5828	5905	5840	MHz
CH7	5745	5847	5925	5860	MHz
CH8	5725	5866	5945	5880	MHz

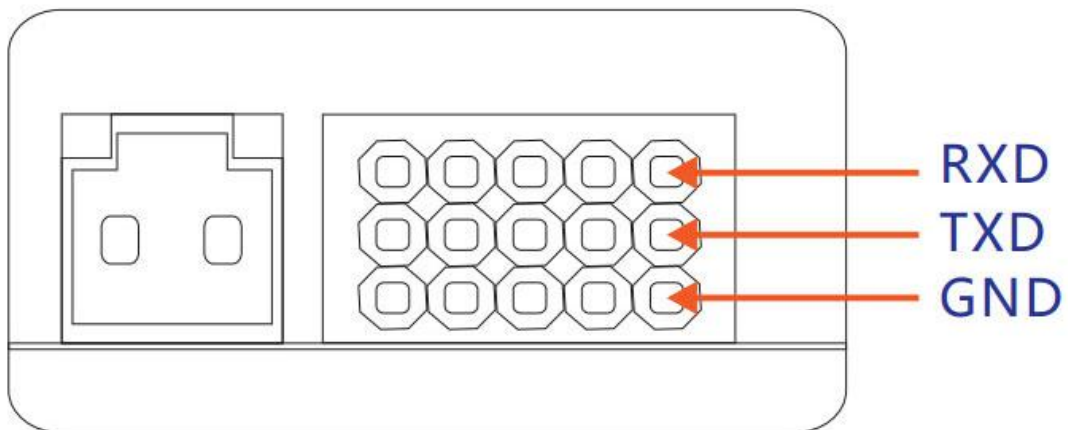
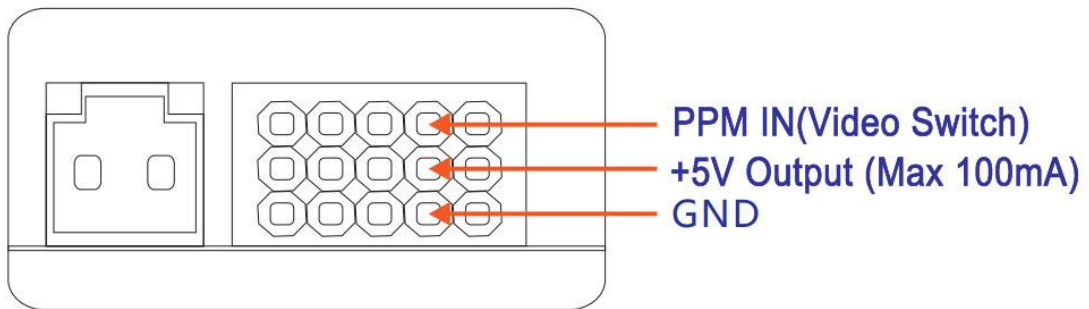
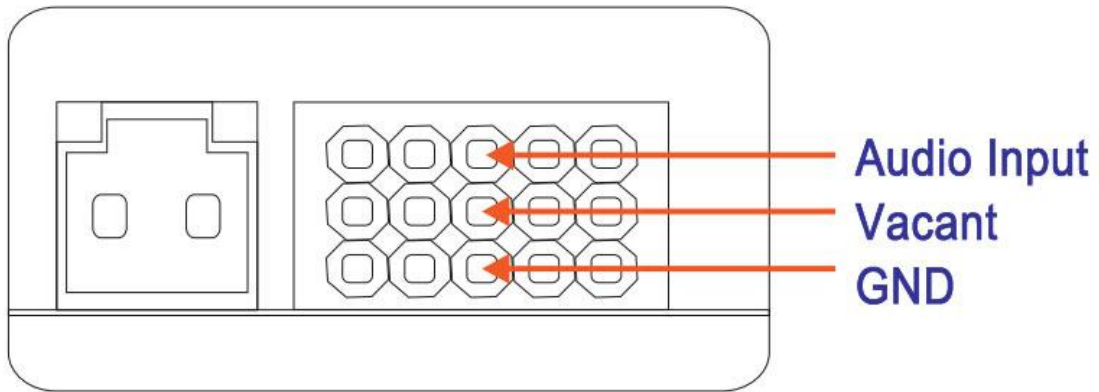
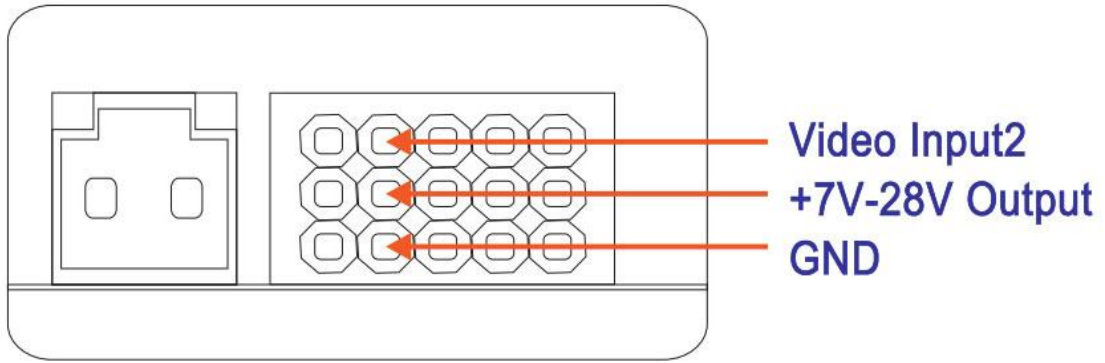
## Schematic diagram



① Setup	⑤ Fan's ventilation
② Up	⑥ Screen
③ Down	⑦ Power Input
④ Cooling Fan	⑧ Connector

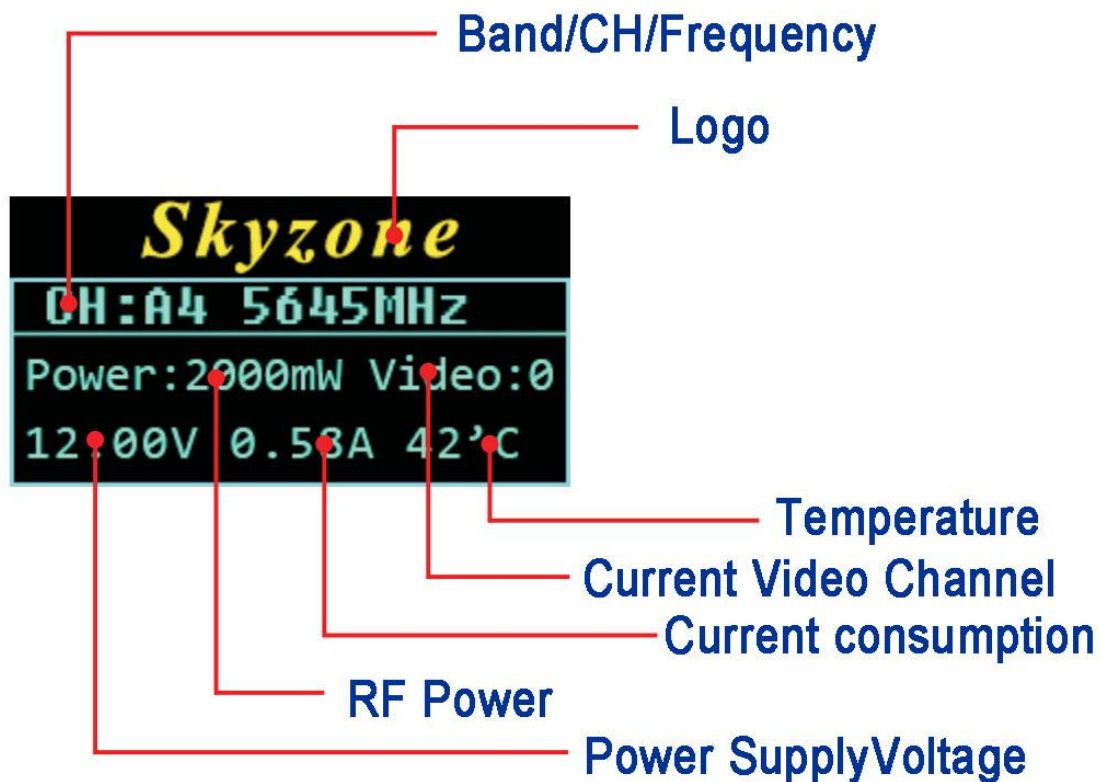
## Wiring Diagram





**RXD, TXD for Internal debugging only**

## Screen Display



## Boot Logo 5seconds



## Operation Guide

### Channel/Frequency Setup

1. Press Set button to enter main menu
2. Press Set button again to enter channel setup



3. Move UP/Down to select Channel, press setup to confirm



#### Low Battery Warn Setup

1. Press Set button to enter main menu
2. Press Down button to select Set Low Battery and press Setup to enter
3. Press Up/Down button to select, press Setup to confirm





**Turn on/off Beep**

1. Press Set button to enter main menu
2. Press Down button to select Set Beep ON/OFF and press Setup to enter
3. Press Up/Down button to select, press Setup to confirm



## **Precautions**

1. Please never power the transmitter without the antenna to avoid damage.
2. Please make sure the power source +/- is the same as the transmitter to avoid damage.
3. It's suggested to connect external power supply if there is twill interference with the power output from the transmitter to the poor compatibility cameras or other equipments.
4. The 5V 100mA output on the transmitter can power the remote control receiver. While please don't connect equipment with more than 5V as it may damage the transmitter.

## **Packing Accessories List**

- 1 x 5.8G 2000mW transmitter
- 1 x Stock dipole whip antenna
- 1 x Power in harness
- 1 x Power out Video out Audio out harness