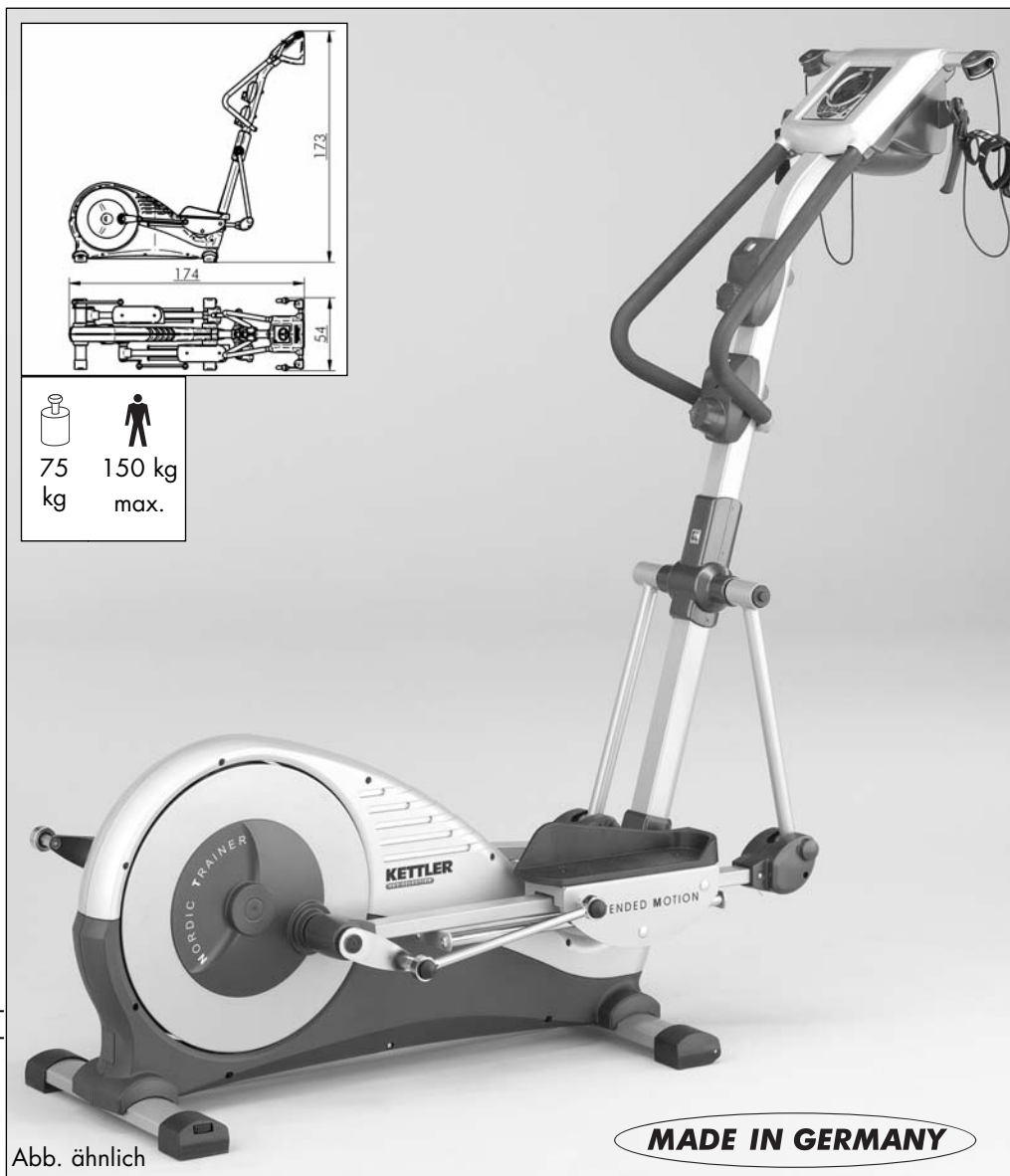


KETTLER

HKS-SELECTION

Montageanleitung NORDIC-Trainer / ALPINE-Trainer

Art.-Nr. 07851-500 / 07851-590



Auf 100% Altpapier!

Abb. ähnlich



GB

USA

Important Instructions

Please read these instructions carefully prior to carrying out assembly and using for the first time. They contain information which is important for your safety as well as for the use and maintenance of the appliance. Keep these instructions in a safe place for reference purposes, maintenance work and to assist you when ordering spare parts.

For Your Safety

- The crosstrainer should be used only for its intended purpose, i.e. for physical exercise by adult people.
- Any other use of the equipment is prohibited and may be dangerous. The manufacturer cannot be held liable for damage or injury caused by improper use of the equipment.
- The crosstrainer has been designed in accordance with the latest standards of safety. Any features which may have been a possible cause of injury have been avoided or made as safe as possible.
- Incorrect repairs and structural modifications (e.g. removal or replacement of original parts) may endanger the safety of the user.
- Damaged components may endanger your safety or reduce the lifetime of the equipment. For this reason, worn or damaged parts should be replaced immediately and the equipment taken out of use until this has been done. Use only original KETTLER spare parts.
- **If the equipment is in regular use, check all its components**

thoroughly every 1 -2 months. Pay particular attention to the tightness of bolts and nuts. This is particularly true for the attachment of grip strap, running plate and fastening of the handlebar and front tube.

- To ensure that the safety level is kept to the highest possible standard, determined by its construction, this product should be serviced regularly (once a year) by specialist retailers.
- Instruct people using the equipment (in particular children) on possible sources of danger during exercising.
- Before beginning your program of exercise, consult your doctor to ensure that you are fit enough to use the equipment. **Base your program of exercise on the advice given by your doctor. Incorrect or excessive exercise may damage your health!**

Handling the equipment

- Before using the equipment for exercise, check carefully to ensure that it has been correctly assembled.
- Before beginning your first training session, familiarize yourself thoroughly with all the functions and settings of the unit.
- It is not recommended to use or store the apparatus in a damp room as this may cause it to rust. **Please ensure that no part of the machine comes in contact with liquids (drinks, perspiration etc.). This may cause corrosion.**
- The machine is designed for use by adults and children should not be allowed to play with it. Children at play behave unpredictably and dangerous situations may occur for which the manufacturer cannot be held liable. If, in spite of this, children are allowed to use the equipment, ensure that they are instructed in its proper use and supervised accordingly.
- The crosstrainer complies with the DIN EN 957 -1/-9, class HB. It is therefore unsuitable for therapeutic use.
- A slight production of noise at the bearing of the centrifugal mass is due to the construction and has no negative effect upon operation. Possibly occurring noise during reverse pedalling result from engineering and are absolutely safe.

Instructions for Assembly

- Ensure that you have received all the parts required (see check list) and that they are undamaged. Should you have any cause for complaint, please contact your KETTLER dealer.
- Before assembling the equipment, study the drawings carefully and carry out the operations in the order shown by the diagrams. The correct sequence is given in capital letters.
- The equipment must be assembled with due care by an adult person. If in doubt call upon the help of a second person, if possible technically talented.
- Please note that there is **always** a danger of injury when working with tools or doing manual work. Therefore please be careful when assembling this machine.
- Ensure that your working area is free of possible sources of danger, for example don't leave any tools lying around. Always dispose packaging material in such a way that it may not

List of spare parts page 25-27

When ordering spare parts, always state the full article number, spare-partnumber, the quantity required and the S/N of the pro-

duct (see handling).

■ **Any interference with parts of the product that are not described within the manual may cause damage, or endanger the person using this machine. Extensive repairs must only be carried out by KETTLER service staff or qualified personnel trained by KETTLER.**

- In case of enquiry, please contact your KETTLER dealer.
 - In choosing the location of the apparatus, ensure a sufficient safety distance from any obstacles. The apparatus must not be mounted in the immediate vicinity of main passageways (paths, doorways, corridors).
- ⚠ **Caution:** While assembly of the product keep off children's reach (Choking hazard - contains small parts).

- Use for your regular cleaning, maintenance and care our appliance maintenance set (Article no. 07921-000) specifically licensed for KETTLER Sports apparatus and available from the Sport specialized trade.
- The crosstrainer has a magnetic brake system.
- To operate correctly, the pulse function requires a minimum voltage of 2,7 volts (only for computers working with batteries).
- The equipment is dependent of revolutions per minute.
- **Please ensure that liquids or perspiration never enter the machine or the electronics.**
- Before use, always check all screws and plug-in connections as well as respective safety devices fit correctly.
- Always wear suitable shoes when using.
- All electric appliances emit electromagnetic radiation when in operation. Please do not leave especially radiation-intensive appliances (e.g. mobile telephones) directly next to the cockpit or the electronic controlsystem as otherwise values displayed might be distorted (e.g. pulse measurement).

cause any danger. There is always a **risk of suffocation** if children play with plastic bags!

- The fastening material required for each assembly step is shown in the diagram inset. Use the fastening material exactly as instructed. The required tools are supplied with the equipment.
- Bolt all the parts together loosely at first, and check that they have been assembled correctly. Tighten the locknuts by hand until resistance is felt, **then use spanner to finally tighten nuts completely against resistance (locking device)**. Then check that all screw connections have been tightened firmly. **Attention:** once locknuts have been unscrewed they no longer function correctly (the locking device is destroyed), and must be replaced.
- For technical reasons, we reserve the right to carry out preliminary assembly work (e.g. addition of tubing plugs).

Example order: Art. no. 07851-500 / spare-part no. 33003005



/ 2 pieces / S/N

Please keep original packaging of this article, so that it may be used for transport at a later date, if necessary.

Goods may **only** be returned after prior arrangement and in (internal) packaging, which is safe for transportation, in the original box if possible.

It is important to provide a detailed defect description / damage report!

Important: spare part prices do not include fastening material; if fastening material (bolts, nuts, washers etc.) is required, this should be clearly stated on the order by adding the words „**with fastening material**“.

Waste Disposal

KETTLER products are recyclable. At the end of its useful life please dispose of this article correctly and safely (local refuse sites).

KETTLER (GB) Ltd.

Merse Road · North Moons Moat · Redditch, Worcestershire B98 9HL · Great Britain

<http://www.kettler.co.uk>

KETTLER International Inc.

1355 London Bridge Road · VA 23450 Virginia Beach
USA

<http://www.kettlerusa.com>

Checkliste (Packungsinhalt)

Ⓒ GB Checklist (contents of packaging)



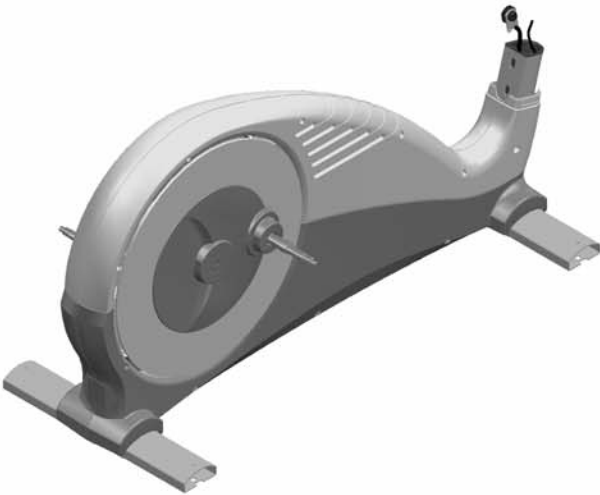


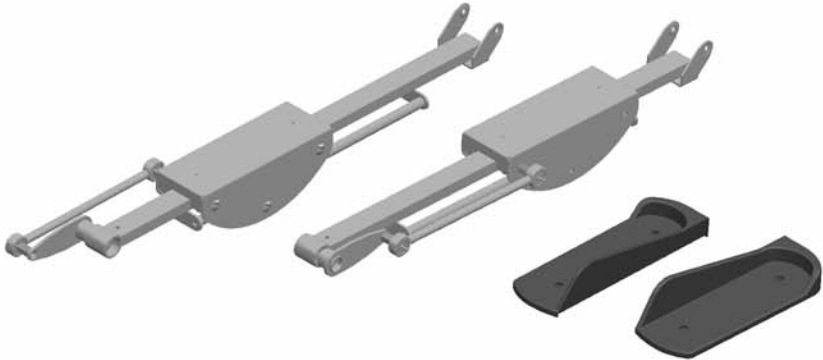
Ⓒ F Liste de vérification (contenu de l'emballage)

Ⓒ NL Checklijst (verpakkingsinhoud)

Ⓒ E Lista de control (contenido del paquete)

Ⓒ I Lista di controllo (contenuto del pacco)

Ⓒ PL Lista kontrolna (zawartość opakowania)

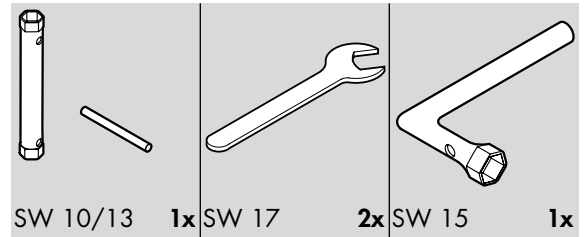
		<p>1</p> <p>1</p>	
		<p>1</p>	
		<p>1</p> <p>1</p> <p>1</p>	
<p>1</p>			
		<p>1</p> <p>1</p> <p>1</p> <p>1</p>	

Checkliste (Packungsinhalt)

	2/2 1/1	
	1 1 1	
	1 1	
	2 2	
	2/2	
	4/2/2	
	1	



1



SW 10/13

1x

SW 17

2x

SW 15

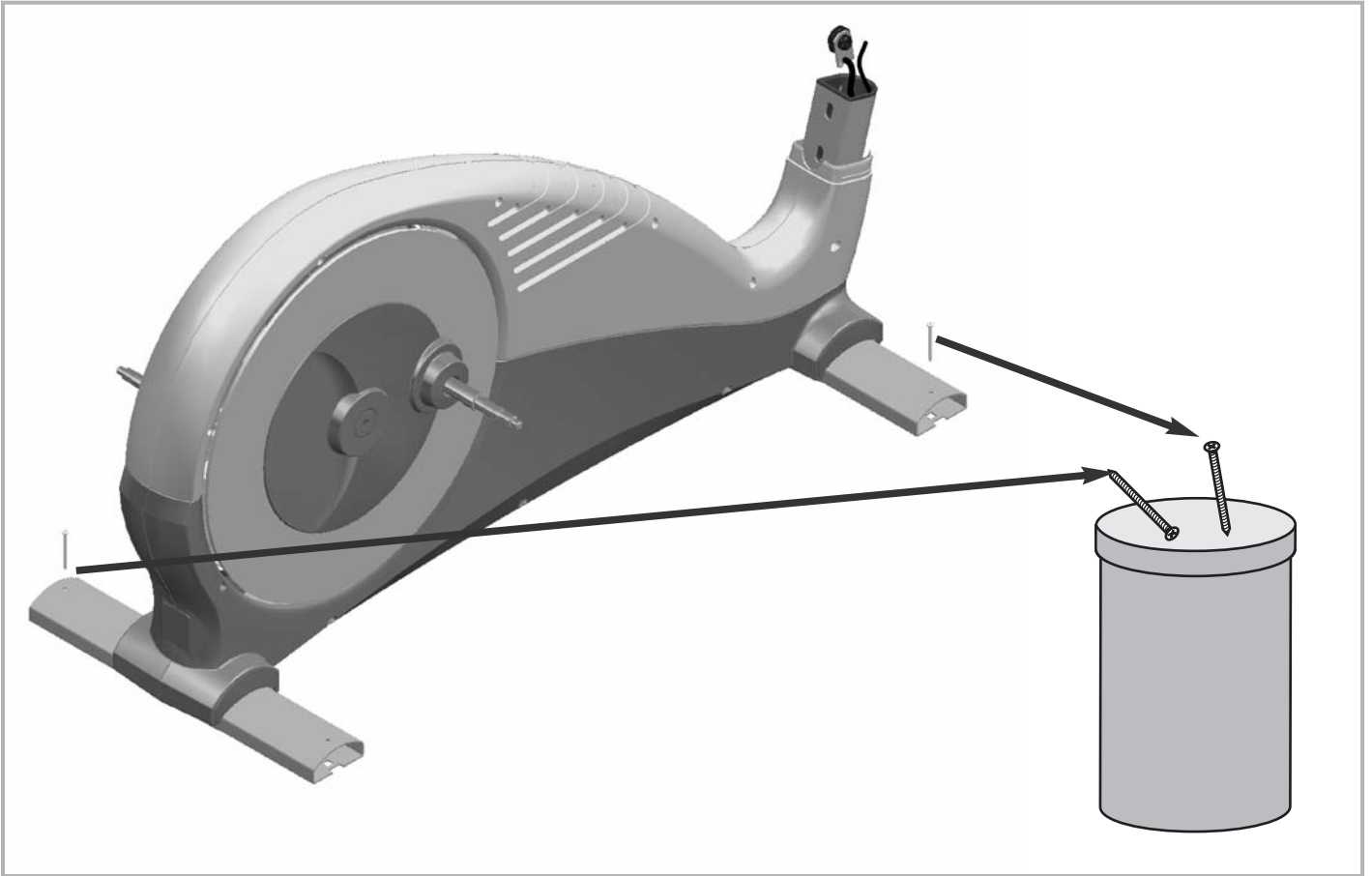
1x

Checkliste (Packungsinhalt)

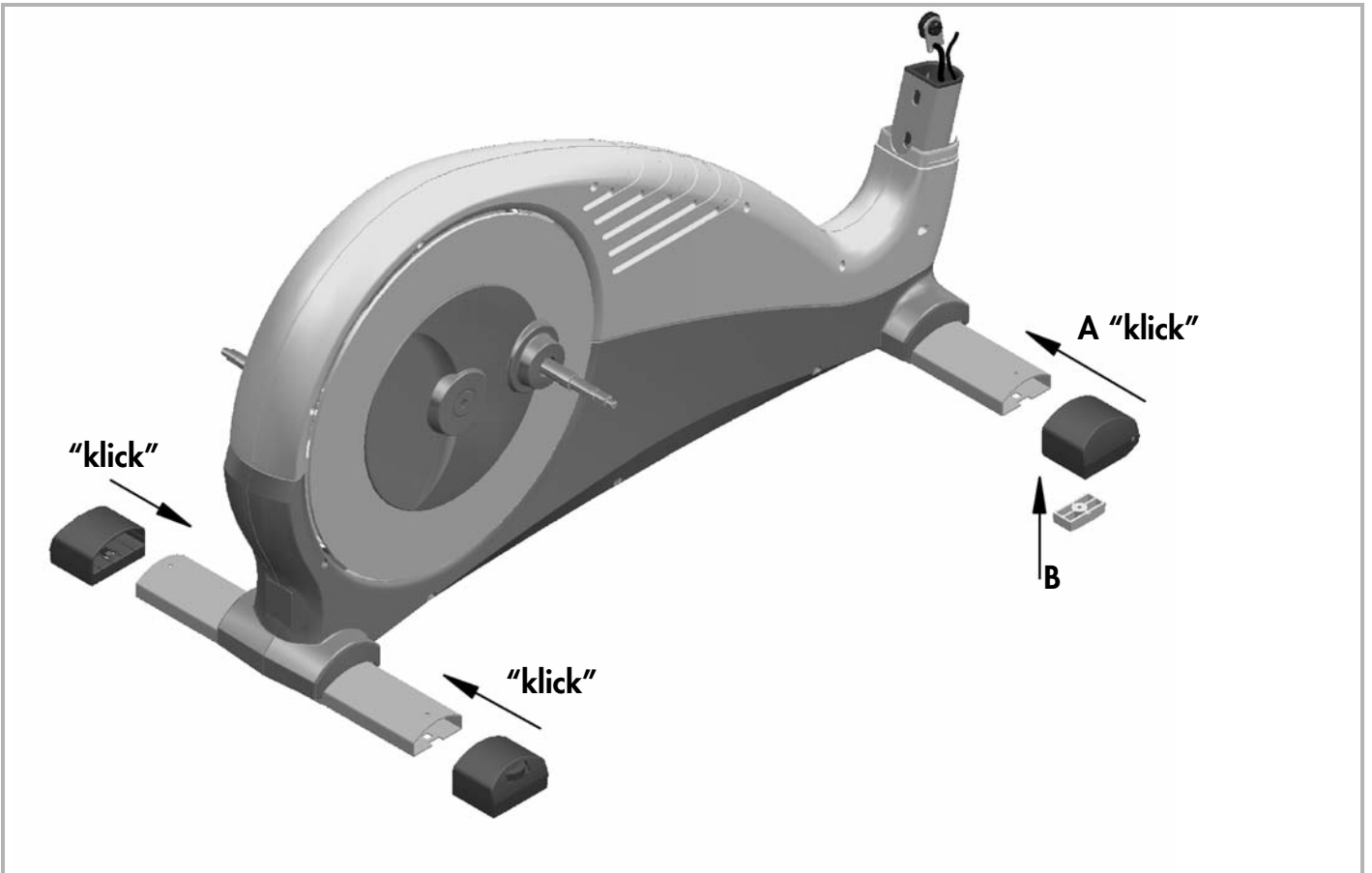
Actual Size

	M10x105	2			ø31,5x16,3	6
	M5x90	2			ø25x8,4x3	2
	ø10x2,4x52	2			ø18x11,3x2	4
	ø22,2x2x16	2			ø16x8,3x2	1
	M8x45	1			ø15,5x5,4x1,5	2
	M5	2			ø10	8
	M10	2				
	M10x20	8				
	M8x16	2				
	M5x12	4				
	4x35	6				
	3,9x19	2				
	M5x12	4				
	3,9x13	4				

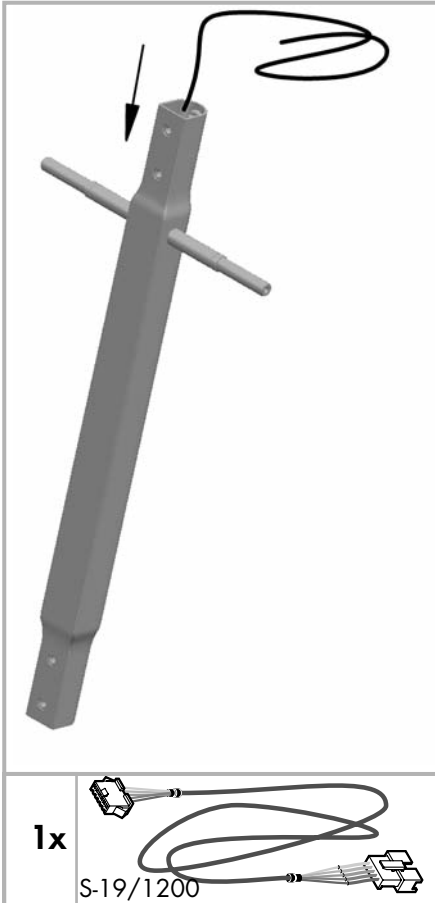
1



2

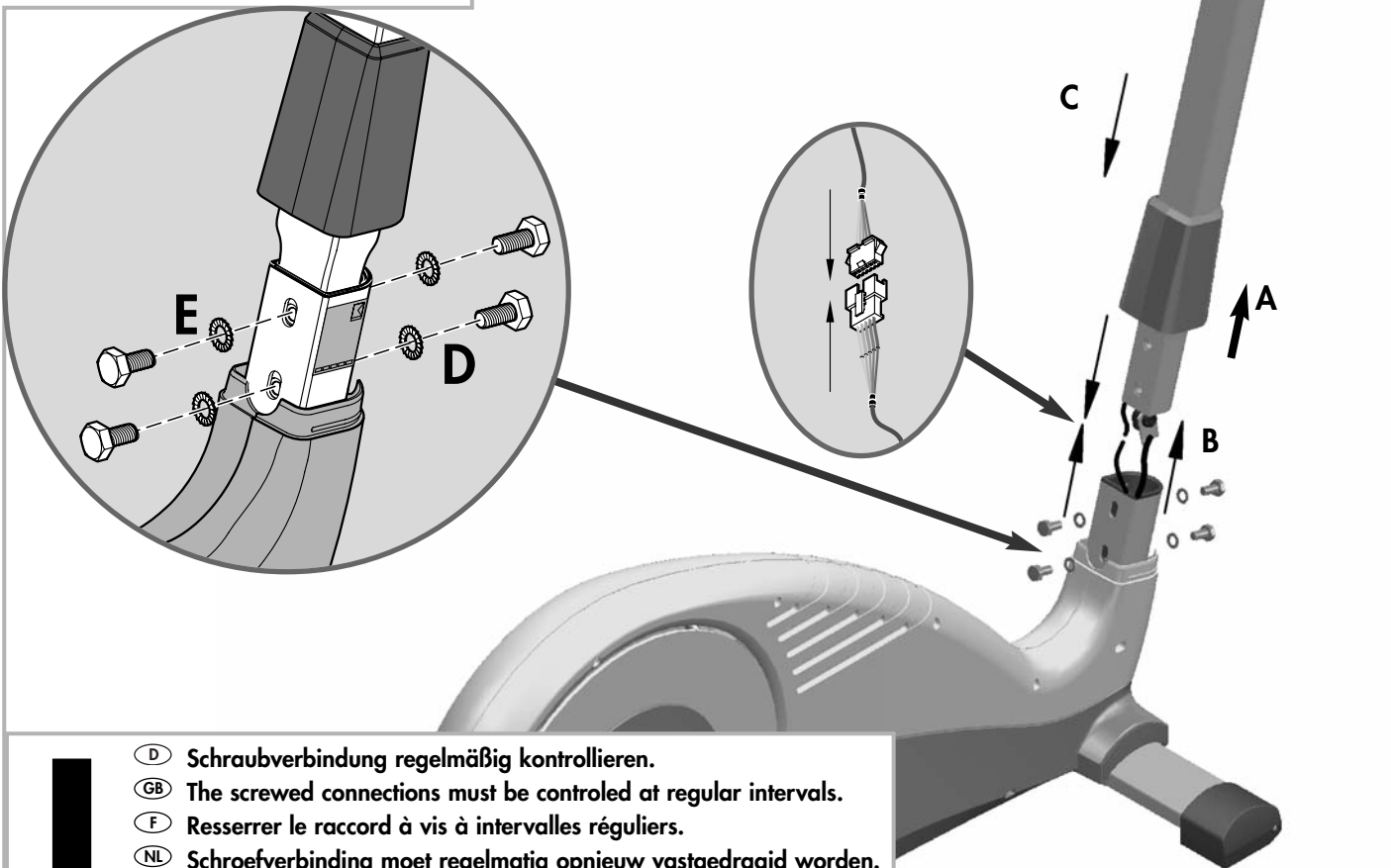


3 A



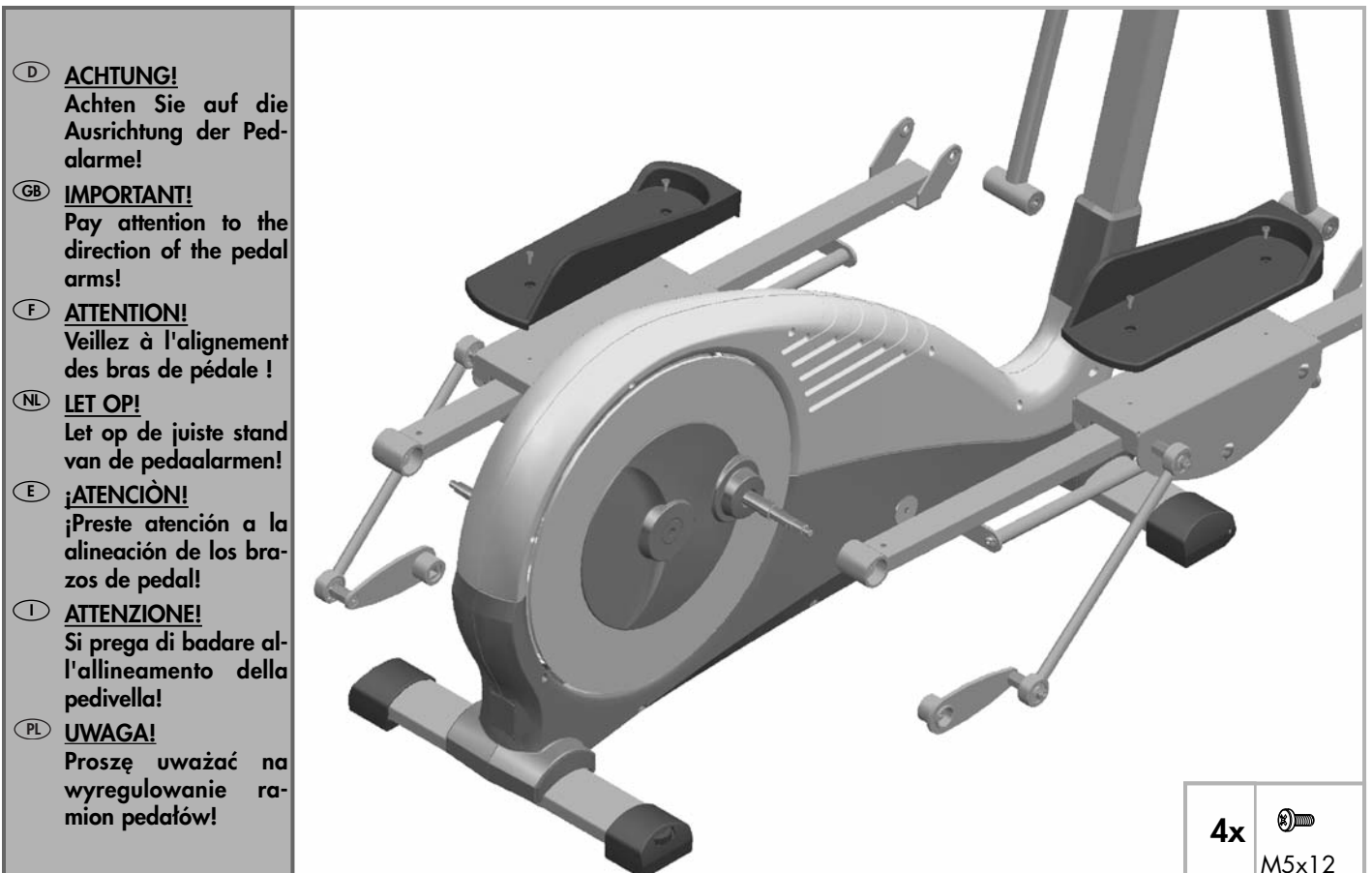
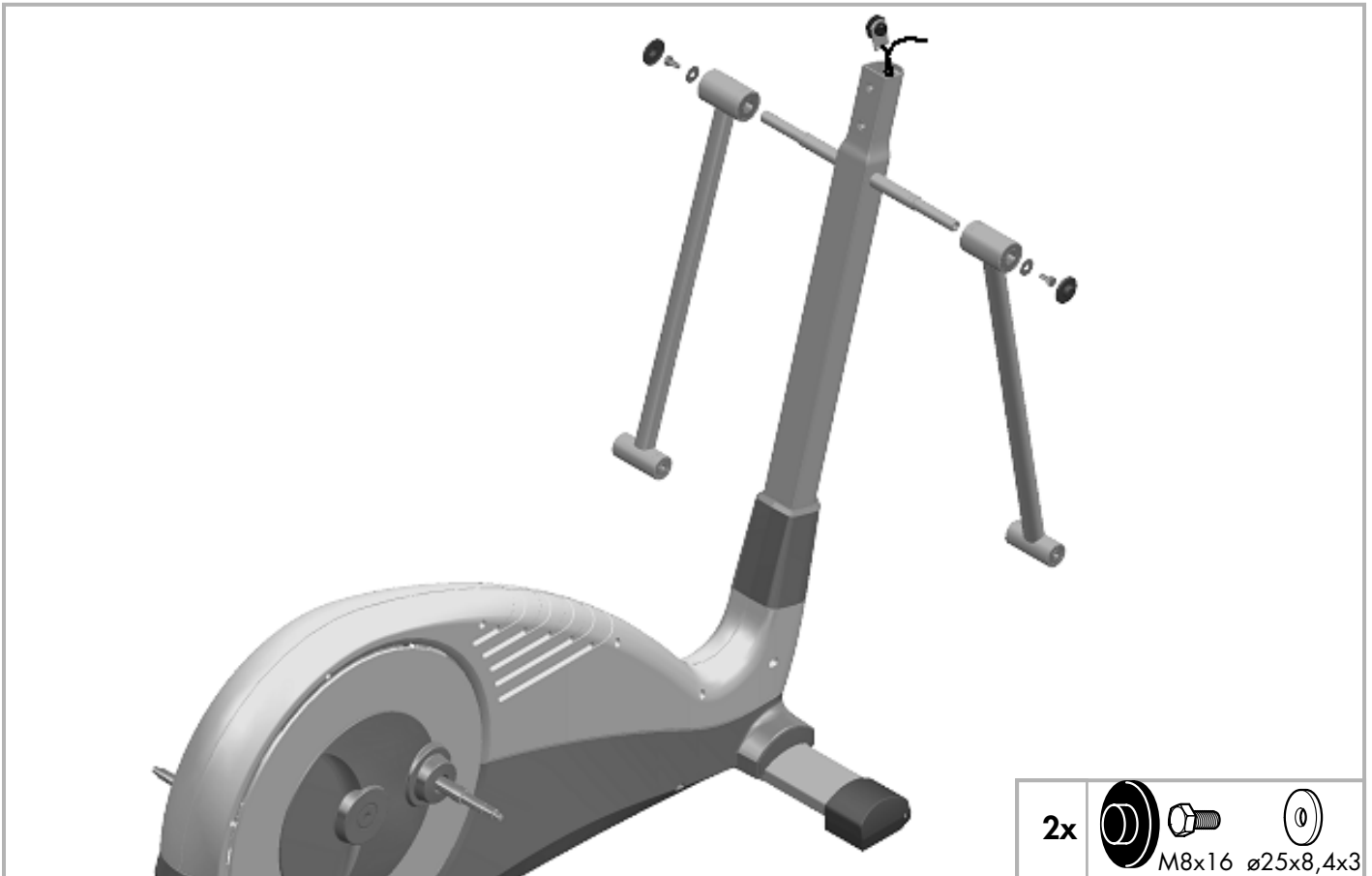
3 B

- (D) **ACHTUNG!**
Die beiden Schrauben D müssen aus technischen Gründen zuerst angezogen werden. Erst dann die Schrauben E anziehen.
- (GB) **IMPORTANT!**
Due to technical reasons the screws D have to be tightened first. Tighten the screws E last.
- (F) **ATTENTION!**
Pour des raisons techniques il faut d'abord serrer les deux vis D. Serrez ensuite seulement les vis E.
- (NL) **LET OP!**
Om technische redenen moeten de beide schroeven D eerst vastgedraaid worden. Pas daarna de schroeven E vastdraaien.
- (E) **¡ATENCIÓN!**
Por razones técnicas, los dos tornillos D deben apretarse primero. A continuación apretar los tornillos).
- (I) **ATTENZIONE!**
Per motivi tecnici è necessario serrare dapprima le due D. Soltanto dopo questa operazione si possono serrare anche le viti E.
- (PL) **UWAGA!**
Obie śruby z podkładką D muszą być z przyczyn technicznych dokręcane najpierw. Dopiero potem dokręcić śruby z podkładką E.

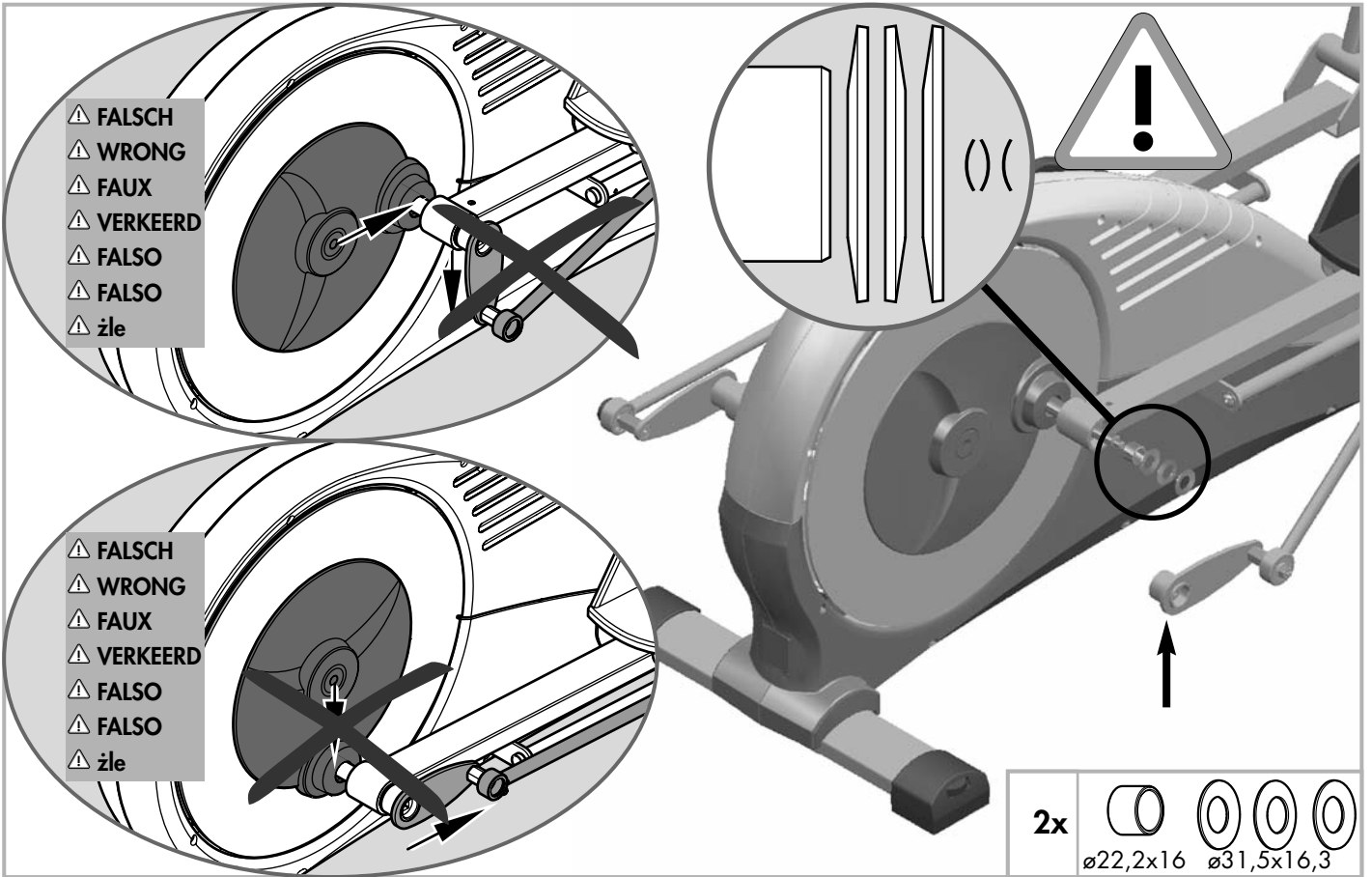


- (D) Schraubverbindung regelmäßig kontrollieren.
- (GB) The screwed connections must be controlled at regular intervals.
- (F) Resserrer le raccord à vis à intervalles réguliers.
- (NL) Schroefverbinding moet regelmatig opnieuw vastgedraaid worden.
- (E) La atornilladura debe ser apretada con regularidad.
- (I) Il collegamento a vite va riserrato ad intervalli regolari.
- (PL) Połączenie śrubowe musi być regularnie dokręcane.

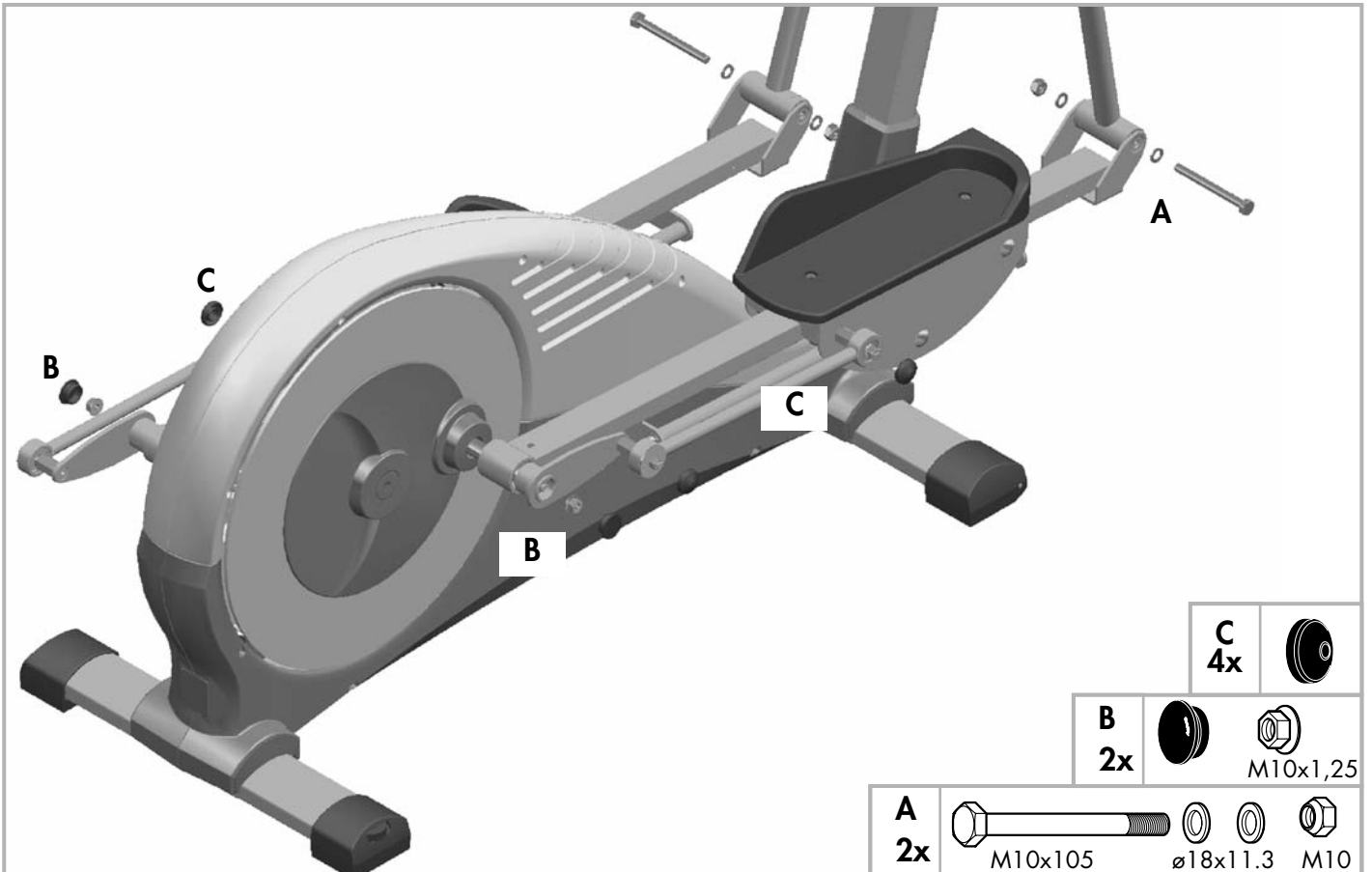
4x  
M10x20 ø10

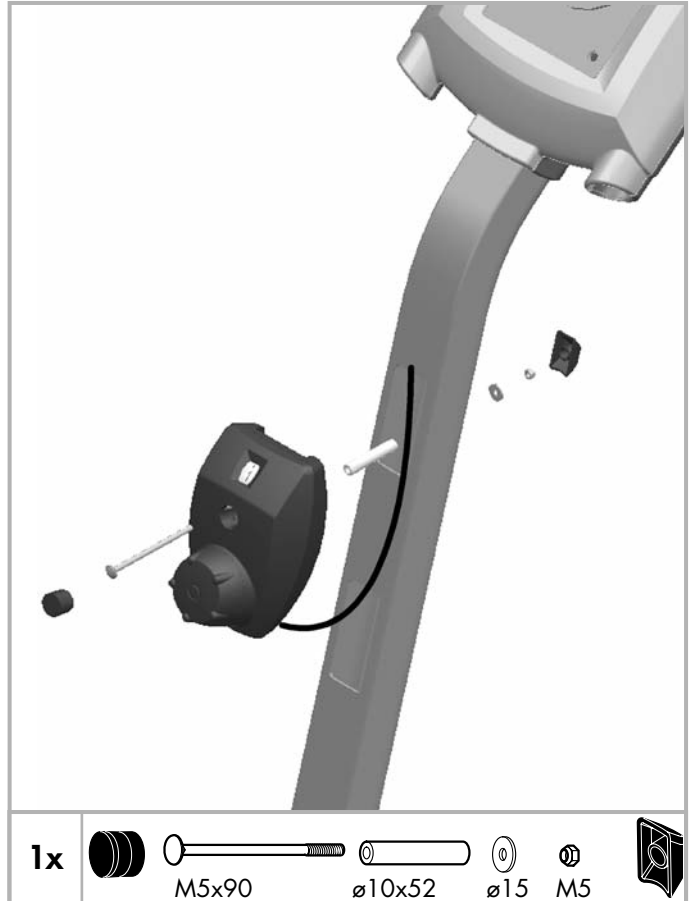
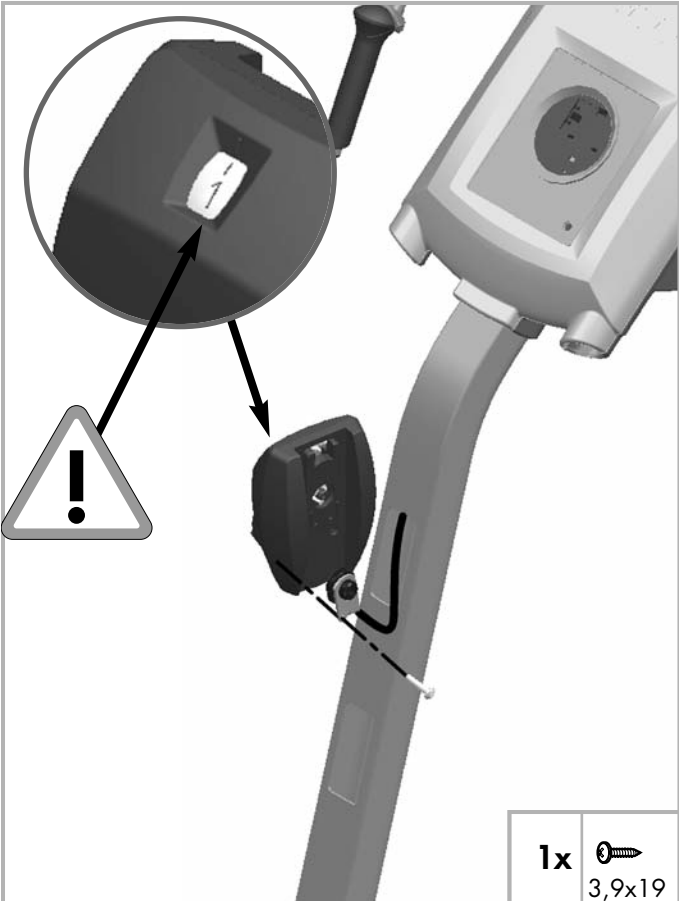
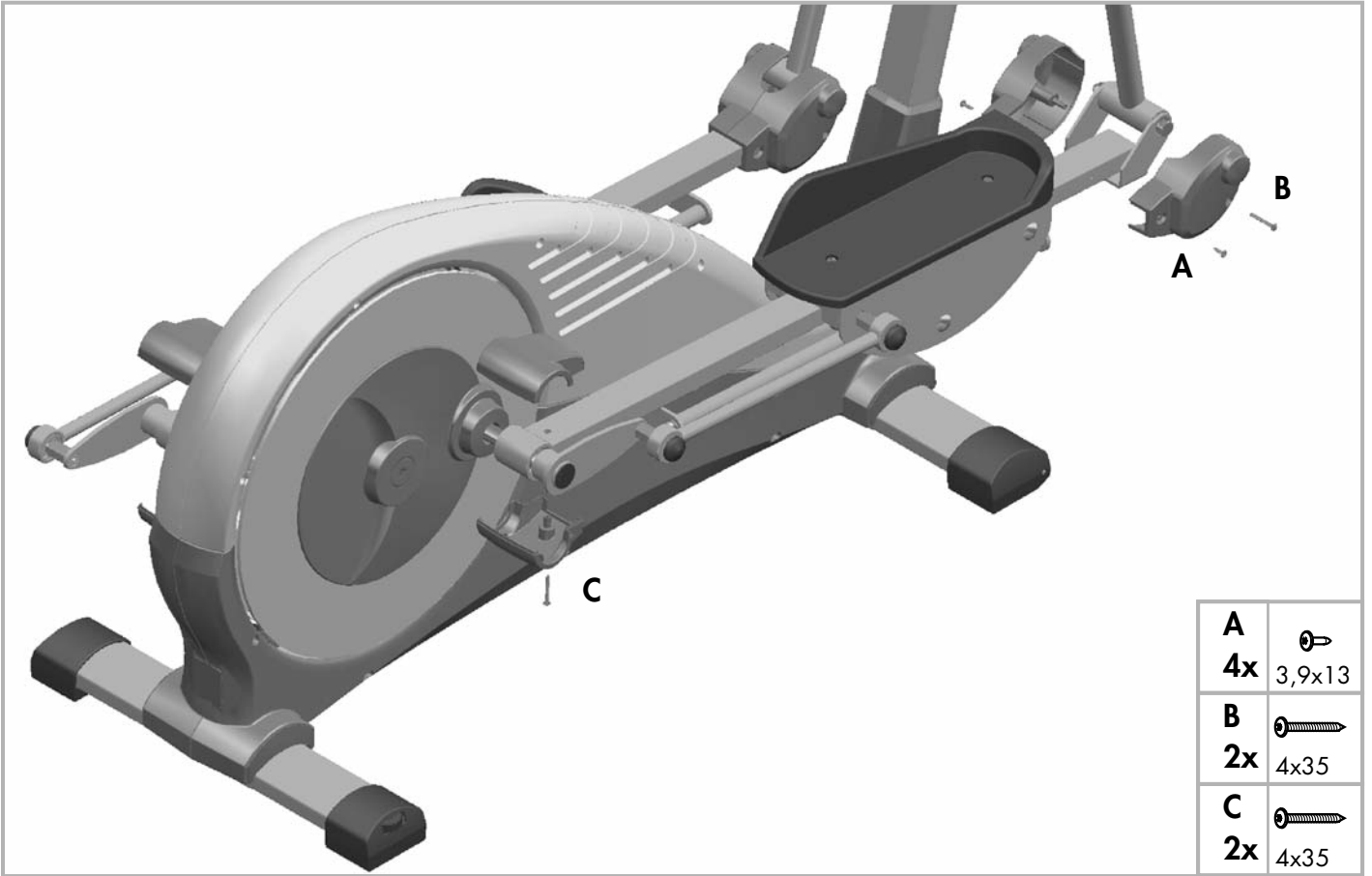


6

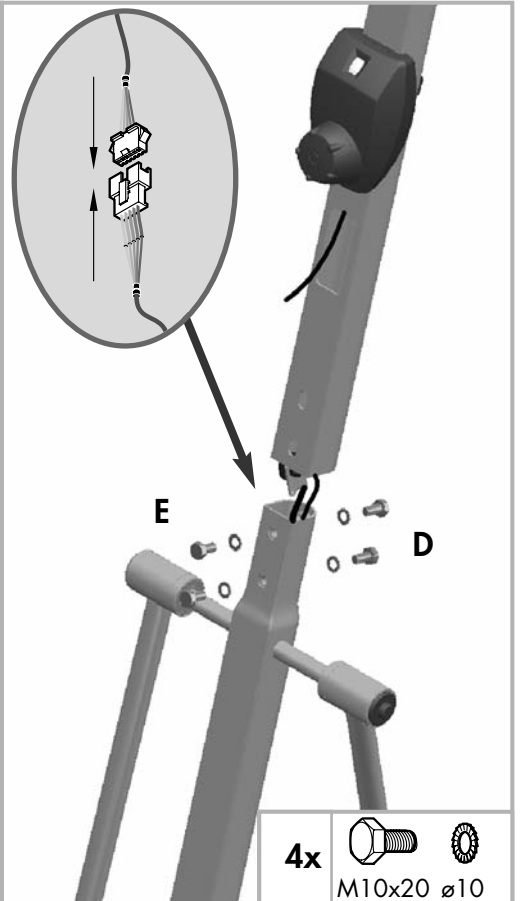


7

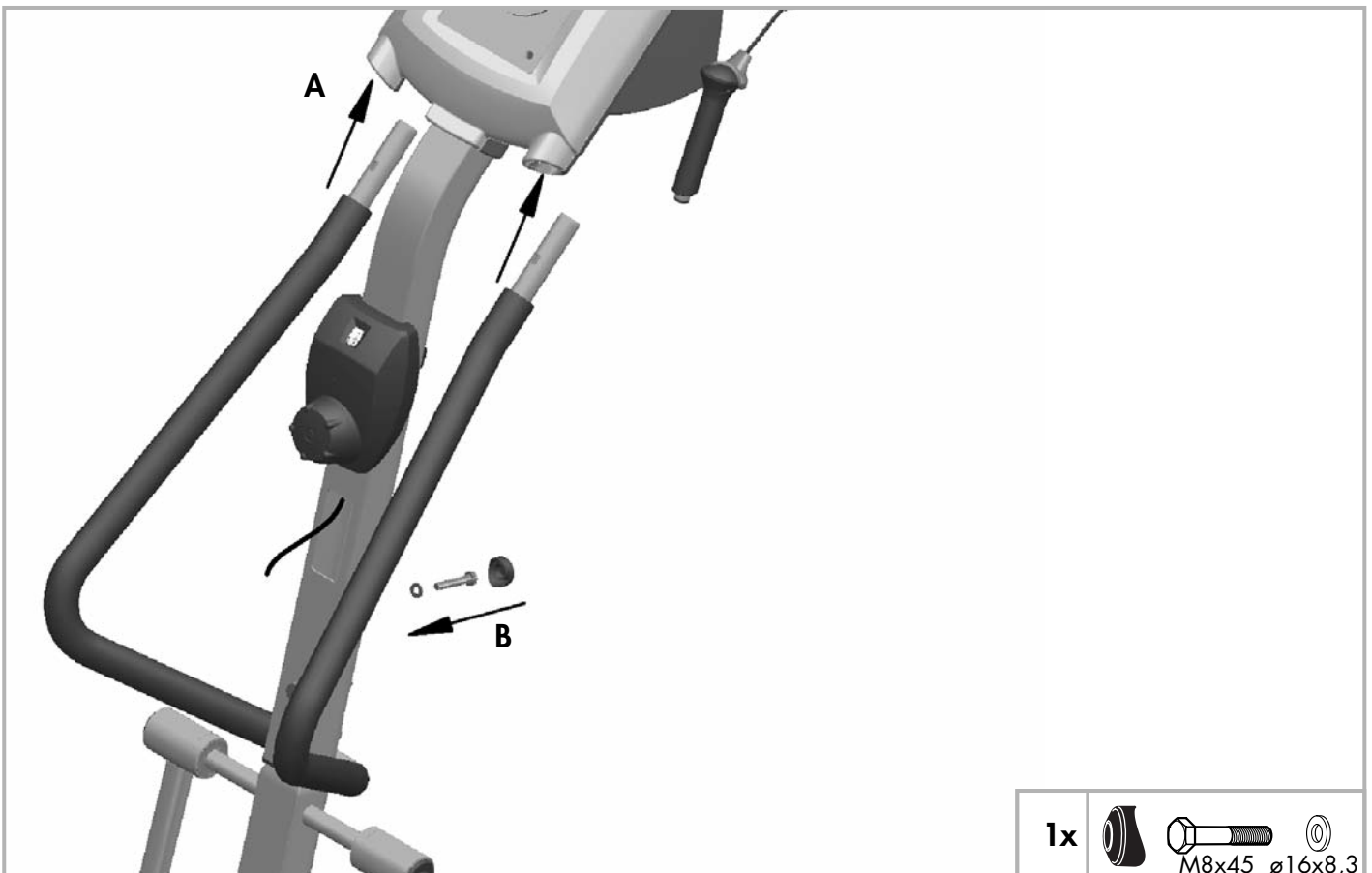




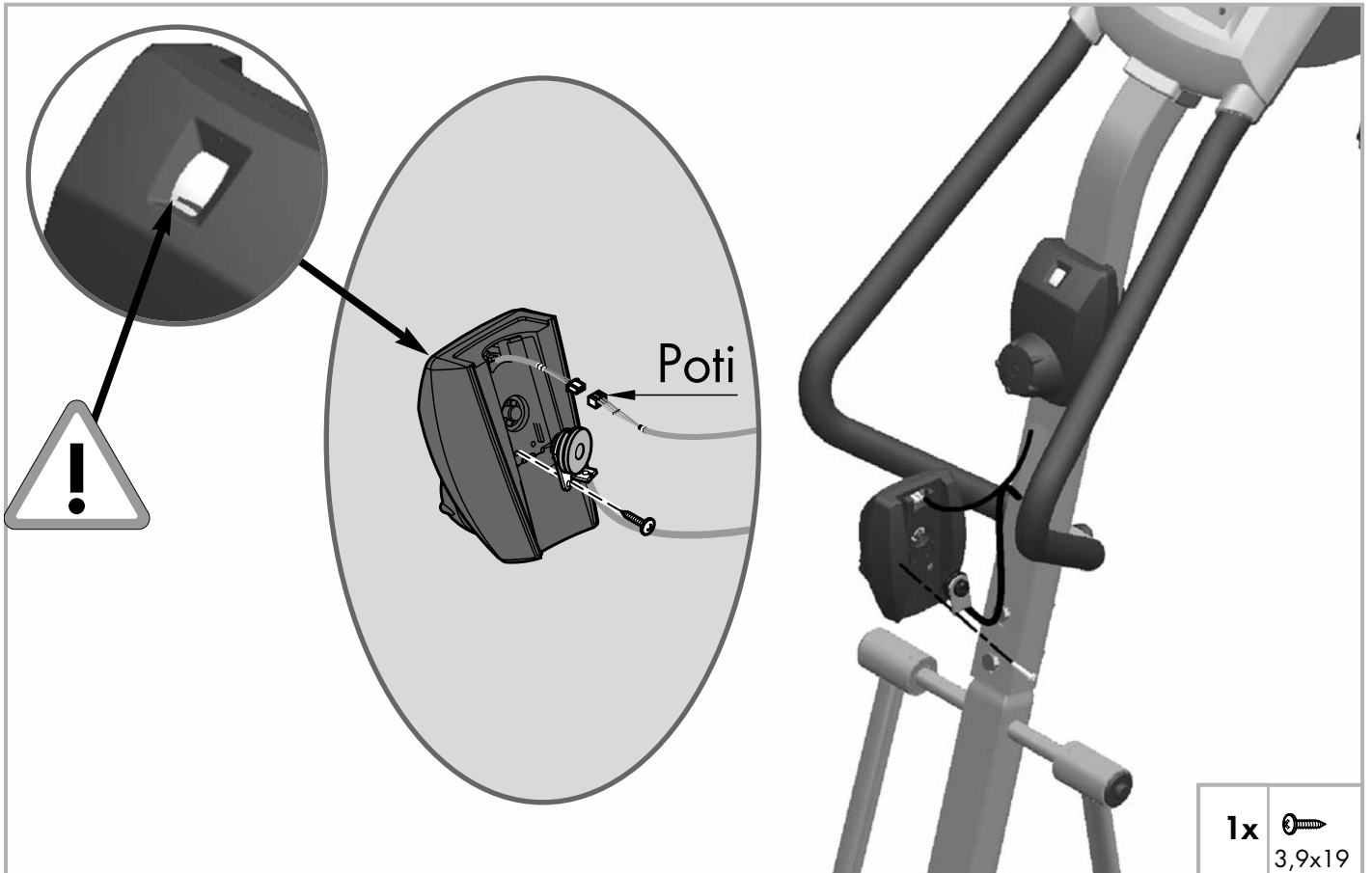
- (D) ACHTUNG!**
Die beiden Schrauben D müssen aus technischen Gründen zuerst angezogen werden. Erst dann die Schrauben E anziehen.
- (GB) IMPORTANT!**
Due to technical reasons the screws D have to be tightened first. Tighten the screws E last.
- (F) ATTENTION!**
Pour des raisons techniques il faut d'abord serrer les deux vis D. Serrez ensuite seulement les vis E.
- (NL) LET OP!**
Om technische redenen moeten de beide schroeven D eerst vastgedraaid worden. Pas daarna de schroeven E vastdraaien.
- (E) ¡ATENCIÓN!**
Por razones técnicas, los dos tornillos D deben apretarse primero. A continuación apretar los tornillos E.
- (I) ATTENZIONE!**
Per motivi tecnici è necessario serrare dapprima le due D. Soltanto dopo questa operazione si possono serrare anche le viti E.
- (PL) UWAGA!**
Obie śruby z podkładką D muszą być z przyczyn technicznych dokręcane najpierw. Dopiero potem dokręcić śruby z podkładką E.



- (D)** Schraubverbindung regelmäßig kontrollieren.
- (GB)** The screwed connections must be controlled at regular intervals.
- (F)** Resserrer le raccord à vis à intervalles réguliers.
- (NL)** Schroefverbinding moet regelmatig opnieuw vastgedraaid worden.
- (E)** La atornilladura debe ser apretada con regularidad.
- (I)** Il collegamento a vite va riserrato ad intervalli regolari.
- (PL)** Połączenie śrubowe musi być regularnie dokręcane.



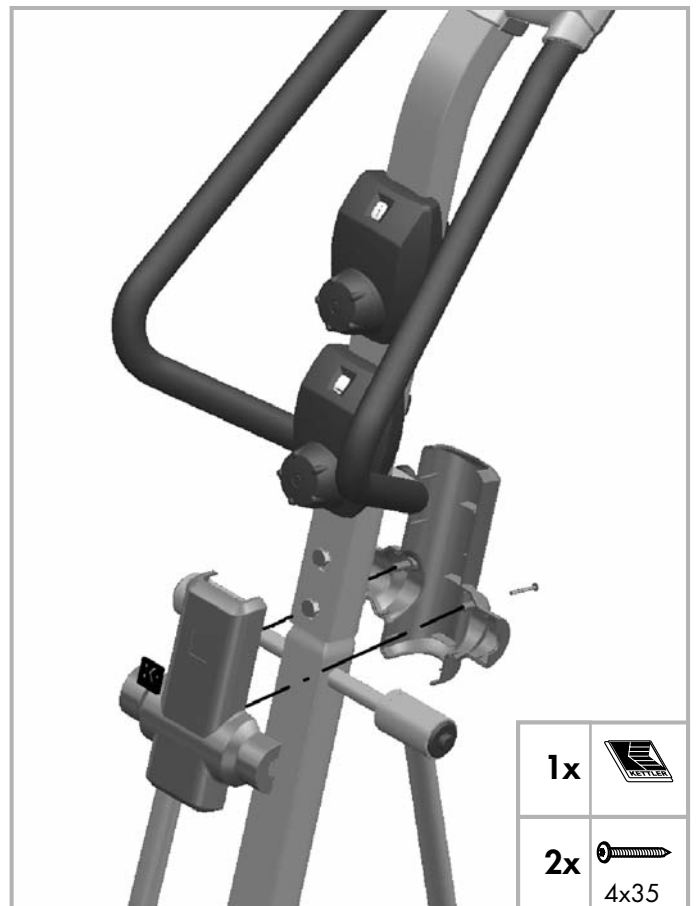
13



14



15



Handhabungshinweise

GB Handling

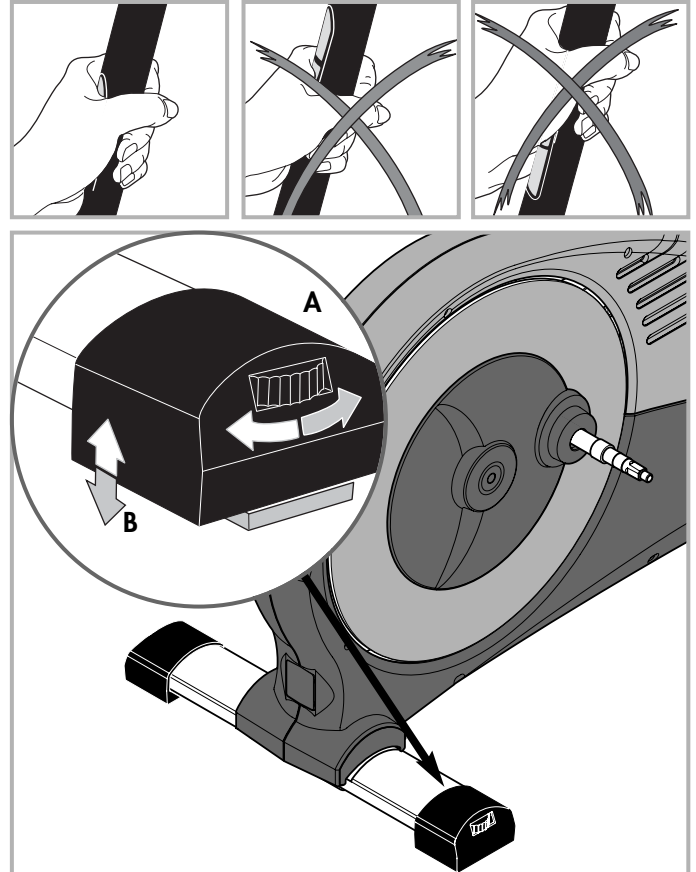
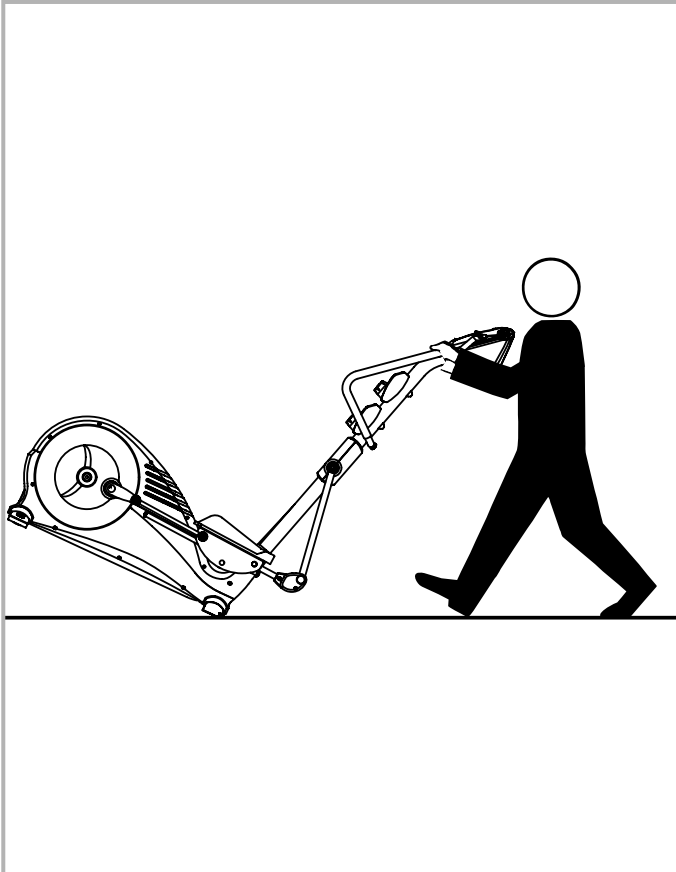
F Utilisation

NL Handleiding

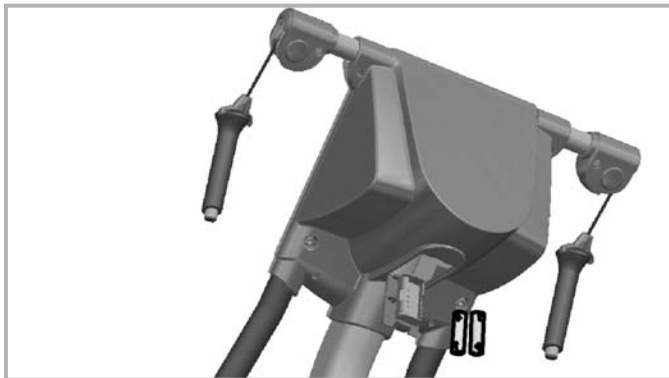
E Aplicación

I Utilizzo

PL Zastosowanie



Batteriewechsel



Eine schwache oder erloschene Computeranzeige macht einen Batteriewechsel erforderlich. Der Computer ist mit zwei Batterien ausgestattet. Nehmen Sie den Batteriewechsel wie folgt vor:

- Nehmen Sie den Batteriefachdeckel ab und ersetzen Sie die Batterien durch zwei neue vom Typ AA 1,5V.
- Achten Sie beim Einsatz der Batterien auf die Kennzeichnung im Batteriefachboden.
- Sollte es nach dem Wiedereinschalten zu Fehlfunktionen kommen, klemmen Sie die Batterien noch einmal kurz ab und wieder an.

Wichtig: Aufgebrauchte Batterien fallen nicht unter die Garantiebestimmungen.



Verbrauchte Energiezellen dürfen nicht mehr in den Hausmüll.

Bitte leisten Sie Ihren Beitrag zum Umweltschutz und geben Sie verbrauchte Batterie beim Handel oder bei den

Rücknahmestellen der Kommunen ab, damit die gesammelten Batterien anschließend ordnungsgemäß beseitigt oder umweltverträglich recycelt werden können.

GB Battery change

A weak or an extinguished computer display makes a battery change necessary. The computer is equipped with two batteries. Perform the battery change as described below:

- Remove the lid of the battery compartment and replace the batteries by two new batteries of type AA 1,5V.
- When inserting the batteries pay attention to the designation on the bottom of the battery compartment.
- Should there be any misoperation after switching on the computer again, shortly disconnect the batteries once again and re-insert them.

Important: The guarantee does not cover worn-out batteries.



You should no longer put used batteries in domestic waste. Please do your bit for the environment and return your batteries to the trade or to the local authority pick-up point so that the collected batteries can be properly disposed of or recycled in an environment-friendly way.

F Changement de piles

Un affichage de l'ordinateur faible ou éteint impose un changement des piles. L'ordinateur est équipé de deux piles. Effectuez le changement comme suit:

- Enlevez le couvercle du logement des piles et remplacez-les par

Batteriewechsel

deux piles neuves du type AA 1,5V.

- Veillez au marquage au fond du logement lors de la mise en place des piles.
- En cas de dysfonctionnement après la remise en marche, enlevez brièvement les piles et remettez-les ensuite.

Important: Les piles usées sont exclues des dispositions de garantie.



Il est interdit de mettre les piles usées aux ordures ménagères. Merci de contribuer à la protection de l'environnement et de rendre les piles usées soit au magasin soit aux localités de reprise de la commune dans le but d'éliminer les piles collectées ou de les recycler de manière non polluante.

(NL) Omwesseln van de Batterijen

Een zwakke of gewiste computerweergave maakt een batterijwisseling noodzakelijk. De computer werkt op 2 batterijen. Omwisseling van de batterijen gaat als volgt:

- Verwijder het deksel van het batterijvak en vervang de batterijen door twee nieuwe van het type AA 1,5V.
- Let bij verwisseling van de batterijen op de tekens in het batterijvak.
- Komen er na verwisseling nog foutieve functies voor, haalt u dan de batterijen nog eens uit het vak en duw ze weer terug.

Belangrijk: batterijen vallen niet onder de garantie.



Lege energiecellen mogen niet met het huisvuil mee. Lever uw bijdrage aan het milieu en lever gebruikte batterijen apart in bij de daarvoor aangewezen depots, zodat de ingezamelde batterijen daarna naar behoren vernietigd en milieuvriendelijk gerecycled kunnen worden.

(E) Cambio de la pilas

Una indicación débil o inexistente en el monitor hace necesario un cambio de pilas. El ordenador dispone de dos pilas. Efectúe el cambio de pilas de la siguiente forma:

- Retire la tapa de la caja de pilas y cambie las pilas usadas por nuevas del tipo AA, 1,5V
- Al poner las pilas observe la caracterización en el fondo de la caja de las pilas.
- Si después de ser puesto de nuevo en funcionamiento se produjeran errores, desconecte brevemente las pilas y vuelva a conectarlas.

Importante: Las pilas gastadas no están incluidas en la garantía.



No se deben echar las baterías energéticas gastadas en la basura doméstica. Por favor contribuya usted por su parte a la protección del medio ambiente y deposite las pilas gastadas en los comercios especializados o en los puntos de recogida de su localidad, para que se puedan posteriormente eliminar y reciclar debidamente.

(I) Cambio delle batteria

Una visualizzazione debole o spenta del computer richiede il cambio della batteria. Il computer è munito di due batterie. Procedete al cambio delle batterie nel modo seguente:

- Togliete il coperchio della batteria e sostituite le batterie con 2 nuove del tipo AA, 1,5V
- Fate attenzione nel montaggio al contrassegno nel suolo del vano batteria.
- Se dopo l'inserimento ci dovessero essere funzioni sbagliate, staccate di nuovo le batterie per poco e attaccatele di nuovo.

Importante: Le batterie usate non rientrano nelle condizioni di garanzia.



Le batterie usate non devono essere gettate nella spazzatura.

Vi preghiamo di contribuire alla salvaguardia dell'ambiente e di consegnare le batterie usate ai punti pubblici di raccolta, che provvederanno al loro smaltimento o a riciclarle senza provocare danni all'ambiente.

(PL) Wymiana baterii

Słaby lub gasnący wyświetlacz komputera oznacza konieczność wymiany baterii. Komputer wyposażony jest w

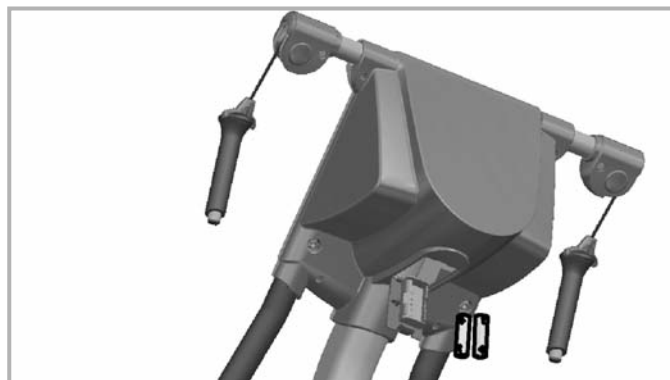
dwie baterie. Baterie wymienia się w sposób następujący:

- Zdjąć osłonę baterii i wymienić baterie na dwie nowe typu AA 1,5 V.
- Wkładając baterie należy przestrzegać oznakowania na dnie zagłębienia na baterie.
- Jeżeli po ponownym włączeniu stwierdzi się niewłaściwe działanie, to baterie należy na chwilę wyjąć i potem ponownie włożyć.

Uwaga: Zużyte baterie nie podlegają pod warunki gwarancyjne.



Zużytych baterii nie wyrzucać do domowych śmieci. Mając na uwadze ochronę środowiska naturalnego należy baterie oddać w sklepie lub w lokalnym punkcie zbiórki zużytych baterii. W ten sposób baterie zostaną prawidłowo usunięte i poddane ekologicznemu recyklingowi.

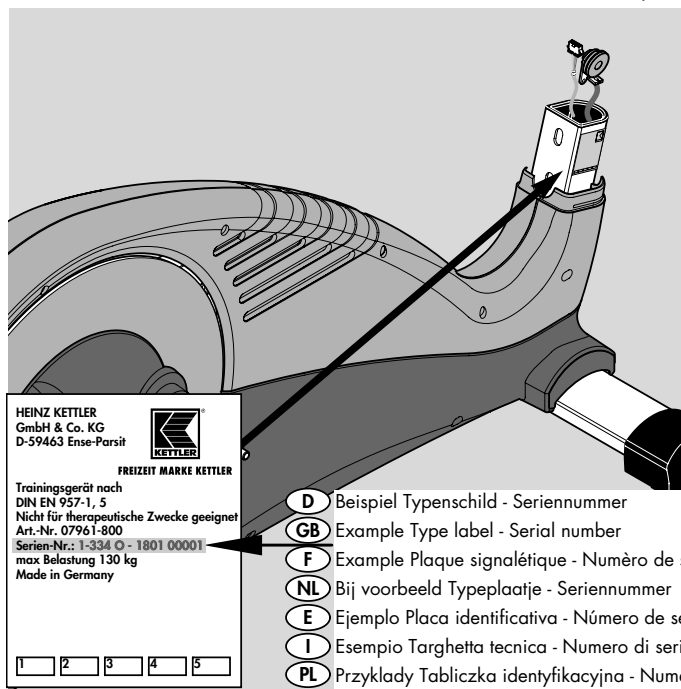


Ersatzteilbestellung

- GB Spare parts order
E Pedido de recambios

- F Commande de pièces de rechange
I Ordine di pezzi di ricambio

- NL Bestelling van reserveonderdelen
PL Zamówienie części zamiennych



- D Beispiel Typenschild - Seriennummer
GB Example Type label - Serial number
F Exemple Plaque signalétique - Numéro de serie
NL Bij voorbeeld Typeplaatje - Seriennummer
E Ejemplo Placa identificativa - Número de serie
I Esempio Targhetta tecnica - Numero di serie
PL Przykłady Tabliczka identyfikacyjna - Numer serii

GB When ordering spare parts, always state the full article number, spare-part number, the quantity required and the S/N of the product.

F En cas de commande de pièces de rechange, nous vous prions de mentionner la référence article, le numéro de pièce de rechange, la quantité demandée et le numéro de série de l'appareil.

NL Vermeld bij de onderdelenbestellingen a.u.b. het volledige artikelnummer, het onderdeelnummer, het benodigde aantal en het serienummer van het apparaat.

E Indicar con los pedidos de piezas de repuesto el número completo del artículo, el número de la pieza de repuesto, las unidades solicitadas y el número de serie del aparato.

I Per l'ordinazione di parti di ricambio indicate il completo numero di articolo, della parte di ricambio, il numero di unit necessario nonchè il numero di serie dell'apparecchio.

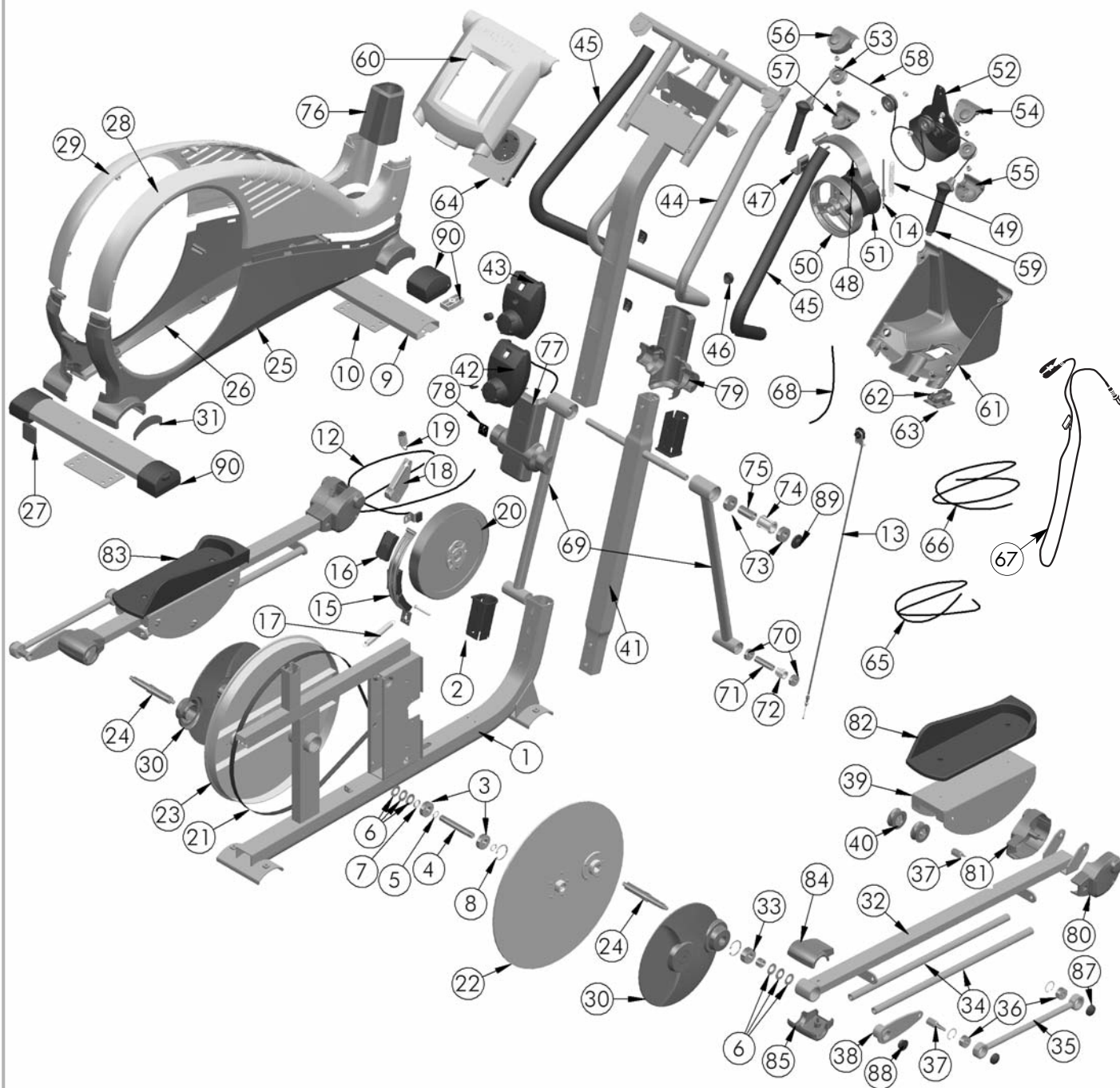
PL Przy zamawianiu części zamiennych proszę podawać kompletny numer artykułu, numer części zamiennych i numer serii urządzenia.

D Geben Sie bei Ersatzteilbestellungen bitte die vollständige Artikelnummer, die Ersatzteilnummer, die benötigte Stückzahl und die Seriennummer des Gerätes an.

Nordtrainer		Alpin-Trainer		Qty. Stück	07851-500	
Pos.- Nr.	Europa Bezeichnung	USA Description	Nordic Bestell-Nr.		USA Bestell-Nr.	
1	Grundgestell	Base Frame	94317422	94317422		
2	Führungsbuchse (4001)	Mast Sleeve (4001)	70128698	70128698		
3	Kugellager 6203-ZZ	Bearing 6203-ZZ	33100023	33100023		
4	Welle ø17x114,5 mm (4-7208b)	Drive Axle 17 x 114.5	11300055	11300055		
5	Seegering A 17 DIN471	C Clip 17mm	10709021	10709021		
6	Tellerfeder ø31,5x16,3x1,25 mm	Spring Washer 31x16x1.25	10600004	10600004		
7	Distanzring ø22.2x2x5 (A887)	Spacer 22.2x5	97201470	97201470		
8	Sicherungsring I 40 DIN 472	C Clip 40mm	10709024	10709024		
9	Bodenrohr	Frame Crossbar	91111951	91111951		
10	Halteblech (BD 1456)	Metal Plate	97200256	97200256		
11	Folienpapier o. Abb.	Paper Gasket (w/out figure)	34010120	34010120		
12	Kontakthalteblech mit Geber (1000ER)	Bracket with Wire	91170536	91170536		
13	Bowdenzug	Resistance cable for lower assembly	94317424	94317424		
14	Bowdenzug NORDIC	Resistance cable for upper assembly	94317506	94317506		
15	Magnetbügel mit 3 Magnetsegmenten	Magnetic resistance bracket w/ 3 magnets	17013960	17013960		
16	Magnetsegment	Resistance Magnet	67000170	67000170		
17	Zugfeder D=1.5	Spring D=1.5	25615060	25615060		
18	Spannw. BD1488+Kugellager mont	Idler pulley	94314245	94314245		
19	Zugfeder 4-5279	Spring for Belt Tension	25635052	25635052		
20	Schwungrad mit Lagern	Flywheel	91140381	91140381		
21	Poly-V-Riemen 1651 PJ6	Drive Belt	67005127	67005127		
22	Laufgrad	Drive Disc (right)	94317305	94317305		
23	Riemenscheibe	Drive Disc (left)	94317306	94317306		
24	Welle ø22x155,75 mm (3-5407)	Discshaft 22x155,75 (3-5407)	11300116	11300116		
25	Seitenverkleidung rechts (4351) unten	Lower Main Shroud (right) (4351)	70128906	70128906		
26	Seitenverkleidung links (4352) unten	Lower Main Shroud (left) (4352)	70128907	70128907		
27	Abdeckkappe Netz (4195)	Plug Cover (4195)	70128757	70128757		
28	Seitenverkleidung rechts (3999) oben	Upper Main Shroud (right) (3999)	70128070	70128070		
29	Seitenverkleidung links (4000) oben	Upper Main Shroud (left) (4000)	70128071	70128071		
30	Rondenabdeckung (4534)	Hubcap for Drive Disc (4534)	94317450	94317478		

Ersatzteilbestellung

Nordictrainer		Alpin-Trainer		07851-500	07851-590
Pos.-	Europa	USA	Qty.	Nordic	USA
Nr.	Bezeichnung	Description	Stück	Bestell-Nr.	Bestell-Nr.
31	Abdeckung (4621)	Insert for Main Shroud	4	70128357	70128357
32	Pedalarm	Ski	1	94318029	94318029
33	Kugellager-Pendel 2203 RS2	Bearing 2203 RS2	1	33100047	33100047
34	Führungsrohr	Guide Rods	2	97100565	97100565
35	Schubstange	Foot Frame Connecting Rod	1	97100568	97100568
36	Kugellager-Pendel 2200 2RS	Bearing 2200 2RS	2	33100056	33100056
37	Bolzen 17x59 (14-08418)	Bolt, SW17x59 (14-08418)	4	10900103	10900103
38	Kurbelarm 157	Crank Arm	2	97100567	97100567
39	Laufwagen	Foot Frame	2	94317265	94317265
40	Laufrolle montiert A948	Foot Frame Rollers	12	94317389	94317389
41	Verlängerungsrohr	Mast	1	94317451	94317451
42	Verstelleinheit mit Poti	Resistance Control Unit with Poti	1	94317432	94317432
43	Verstelleinheit	Resistance Control Unit	1	10121179	10121179
44	Griffbügel	Handlebar Assembly	1	94317507	94317507
45	Soft-Grip SW	Grip for Handlebars	2	10118064	10118064
46	Abdeckkappe (2407)	Endcap (2407)	1	70127571	70127571
47	Magnetbügel kurz Nordic	Magnetic Sensor for Upper Assembly	1	67000213	67000213
48	Magnetbügel lang Nordic	Magnetic Pickup for Upper Assembly	1	67000214	67000214
49	Zugfeder D=1.25	Spring D=1.25	1	25618559	25618559
50	Alu-Schwungrad	Flywheel for Upper Assembly	1	67043497	67043497
51	Seilaufnahme (4723)	Cord Reception (4723)	1	70126678	70126678
52	Abdeckung (4722)	Cover (4722)	1	70126679	70126679
53	Seilrolle Nr. 4 (2097)	Pulley (2097)	4	98585016	98585016
54	Seilrollenabdeckung Oberteil re. (4724)	Upper Right Pulley Cover (4724)	1	70126740	70126740
55	Seilrollenabdeckung Unterteil re. (4725)	Lower Right Pulley Cover (4725)	1	70126741	70126741
56	Seilrollenabdeckung Oberteil li. (4726)	Upper Left Pulley Cover (4726)	1	70126742	70126742
57	Seilrollenabdeckung Unterteil li. (4727)	Lower Left Pulley Cover (4727)	1	70126743	70126743
58	Polyester-Leine "M1", 4 mm	Cord "M1" 4mm	1	10123400	10123400
59	Griffe (Paar) + Gelenk	Hand Grip (Pair)	1	91170599	91170599
60	Cockpit Oberteil (4720)	Front Computer Housing (4720)	1	70126737	70126737
61	Cockpit Unterteil (4721)	Rear Computer Housing (4721)	1	70126738	70126738
62	Halterung	Fixture	1	94317502	94317502
63	Befestigungs-Deckel (3620)	Reinforcement Cover	1	70126677	70126677
64	Computer SM3318-68 (°C, km)	Computer SM3318-68 (°F, miles)	1	67000907	67000907
65	Verlängerungskabel S-19/1200	Lower Computer Wire	1	67000549	67000549
66	Verlängerungskabel 093-2030-075	Upper Computer Wire	1	67000281	67000281
67	Ohrclip P-03 o. Abb.	Earclip (w/out figure)	1	67000653	67000653
68	Verlängerungskabel für Poti 600 mm	Extension Cord 600mm	1	67000909	67000909
69	Pendelrohr mit Kugellagern	Ski Pole with Peering	2	94317453	94317453
70	Kugellager 6200-ZZ	Bearing 6200-ZZ	4	33100036	33100036
71	Distanzrohr ø16x2,0x59 mm (A936)	Spacer Sleeve 20x4.5x59	2	97201482	97201482
72	Zentrierhülse (4511)	Bushing White PVC (4511)	2	70128296	70128296
73	Kugellager 6203-ZZ	Bearing 6203-ZZ	4	33100038	33100038
74	Zentrierhülse (3781)	Bushing White PVC (3781)	2	70128347	70128347
75	Distanzrohr ø22,2x2x48 mm (A817)	Spacer Sleeve 22.2x2x48	2	97201462	97201462
76	Lenkerrohrabdeckung (3089)	Mast Cover (3089)	1	70128569	70128569
77	Drehpunktverkleidung (4707) vorne	Upper Front Masr Cover (4707)	1	70126375	70126375
78	Aufkleber K-Zeichen	Sticker	1	33907043	33907043
79	Drehpunktverkleidung (4708) hinten	Upper Rear Mast Cover (4708)	1	70126376	70126376
80	Gelenkpunktverkleidung (4532) rechts	Ski Cover Front Right (4532)	2	70129011	70129011
81	Gelenkpunktverkleidung (4533) links	Ski Cover Front Left (4533)	2	70129012	70129012
82	Fußtritt rechts (4609)	Foot Plate Right (4609)	1	70129045	70129045
83	Fußtritt links (4610)	Foot Plate Left (4610)	1	70129046	70129046
84	Drehpunktverkleidung Oberteil (4535)	Rear Ski Cover Upper (4535)	2	70129013	70129013
85	Drehpunktverkleidung Unterteil (4536)	Rear Ski Cover Lower (4536)	2	70129014	70129014
86	Schraubenbeutel siehe Checkliste	Hardware Bag look at checklist	1	94317456	94317456
87	Abdeckkappe (4553)	Endcap (4553)	4	70129015	70129015
88	Abdeckkappe für Kubelarm	Crank Arm Cover	2	33003005	33003005
89	Abdeckkappe (1584)	Endcap (1584)	2	70130860	70130860
90	Bodenschoner-Set	Foot-Set	1	94317278	94317278





HEINZ KETTLER GmbH & Co. KG · Postfach 1020 · D-59463 Ense-Parsit
www.kettler.de

docu 2043b/10.07