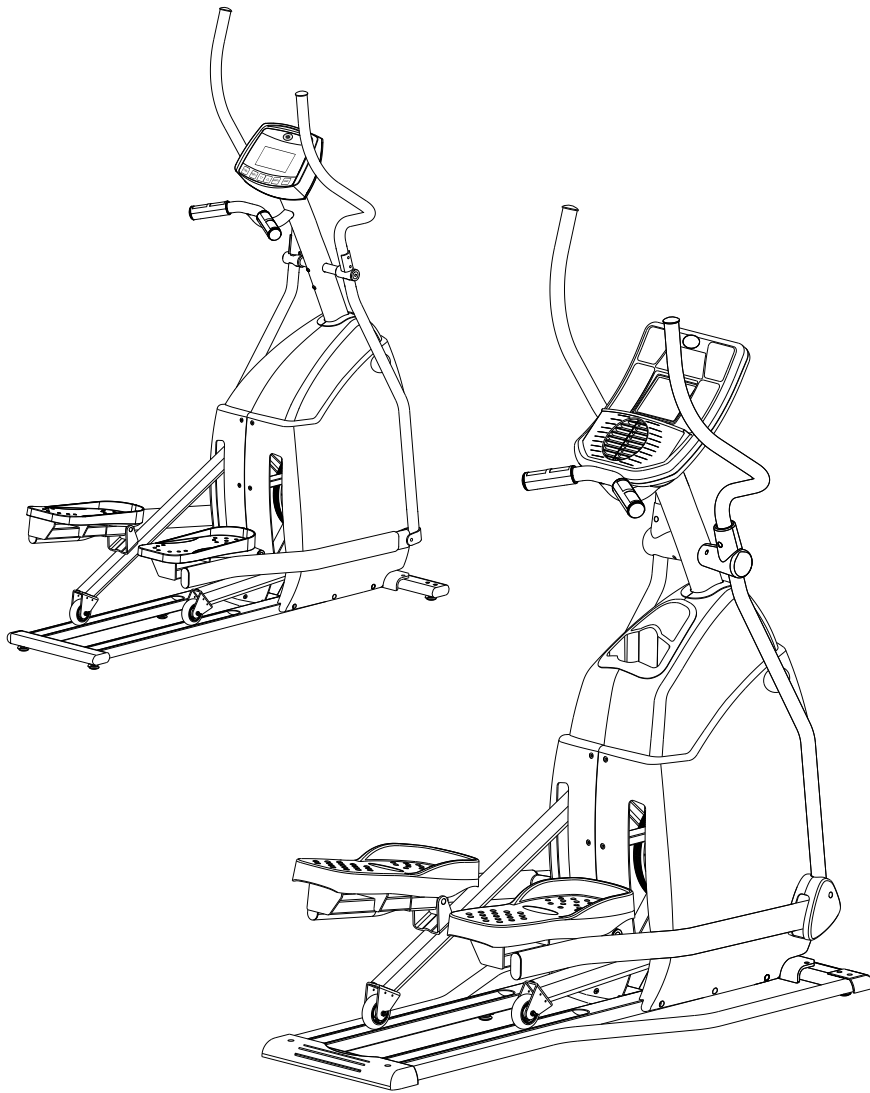


HZ SERIES



FOR MODELS :

EX-22

EX-33

EX-44



Designed for life.™

ELLIPTICAL USER'S GUIDE

INTRODUCTION

CONGRATULATIONS and **THANK YOU** for your purchase of this HZ Series elliptical!

Whether your goal is to win races or simply enjoy a fuller, healthier lifestyle, a HZ Series elliptical can help you attain it – adding club-quality performance to your at-home workouts, with the ergonomics and innovative features you need to get stronger and healthier, faster. Because we're committed to designing fitness equipment from the inside out, we use only the highest quality components. It's a commitment we back with one of the strongest frame-to-break warranty packages in the industry.

You want exercise equipment that offers the most comfort, the best reliability and the highest quality in its class.

The HZ Series delivers.

TABLE OF CONTENTS

<i>Important Precautions</i>	4
<i>Assembly</i>	5
<i>Before You Begin</i>	18
<i>Elliptical Operation</i>	19
<i>Conditioning Guidelines</i>	28
<i>Troubleshooting & Maintenance</i>	34
<i>Limited Warranty</i>	38
CONTACT INFORMATION	<i>Back Panel</i>

IMPORTANT PRECAUTIONS

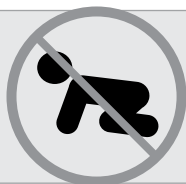
SAVE THESE INSTRUCTIONS

Read all instructions before using this elliptical. When using an electrical product, basic precautions should always be followed, including the following: Read all instructions before using this elliptical. It is the responsibility of the owner to ensure that all users of this elliptical are adequately informed of all warnings and precautions. If you have any questions after reading this manual, contact Customer Tech Support at the number listed on the back panel of this manual.



WARNING To reduce the risk of burns, fire, electrical shock or injury to persons:

- If you experience chest pains, nausea, dizziness, or shortness of breath, stop exercising immediately and consult your physician before continuing.
- Maintain a comfortable pace. Do not sprint above 80 rpms on this machine.
- To maintain balance, it is recommended to keep a grip on the handlebars while exercising, mounting or dismounting the machine.
- Do not wear clothes that might catch on any part of the elliptical.
- Do not turn pedal arms by hand.
- Make sure handlebars are secure before each use.
- Do not insert or drop any object into any opening.
- Unplug elliptical before moving or cleaning it. To clean, wipe surfaces down with soap and slightly damp cloth only; never use solvents. (See MAINTENANCE)
- This elliptical should not be used by persons weighing more than 250 pounds on the EX-22, 275 pounds on the EX-33 and 300 pounds on the EX-44. Failure to comply will void the warranty.
- This elliptical is intended for in-home use only. Do not use this elliptical in any commercial, rental, school or institutional setting. Failure to comply will void the warranty.
- Do not use elliptical in garages, porches, pool rooms, bathrooms, car ports or outdoors. Failure to comply may void the warranty.
- Use the elliptical only as described in this manual.



At NO time should pets or children under the age of 12 be closer to the elliptical than 10 feet.
At NO time should children under the age of 12 use the elliptical.
Children over the age of 12 should not use the elliptical without adult supervision.

It is essential that your elliptical is used only indoors, in a climate controlled room. If your elliptical has been exposed to colder temperatures or high moisture climates, it is strongly recommended that the elliptical is warmed up to room temperature before first time use. Failure to do so may cause premature electronic failure.

ASSEMBLY

IMPORTANT: READ THESE SAFETY INSTRUCTIONS BEFORE USE!



There are several areas during the assembly process of a elliptical that special attention must be paid. It is very important to follow the assembly instructions correctly and to make sure all parts are firmly tightened. If the assembly instructions are not followed correctly, the elliptical could have frame parts that are not tightened and will seem loose and may cause irritating noises. To prevent damage to the elliptical, the assembly instructions must be reviewed and corrective actions should be taken.

UNPACKING

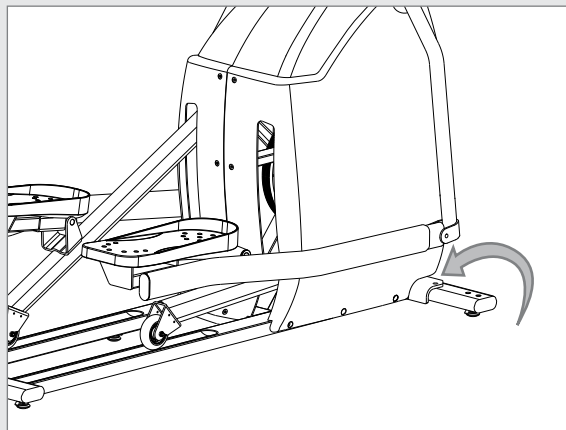
Unpack the product where you will be using it. Place the product on a level flat surface. It is recommended that you place a protective covering on your floor. Note: It is recommended that you apply grease to the threads of each bolt as you assemble the product, to prevent loosening and noise. Also, during each assembly step, ensure that ALL nuts and bolts are in place and partially threaded in before completely tightening any ONE bolt.

Before proceeding, find your elliptical's serial number located on the front stabilizer tube and enter it in the space provided below. Also locate the model name which is located on the side cover badge.

ENTER YOUR SERIAL NUMBER AND MODEL NAME IN THE BOXES BELOW:

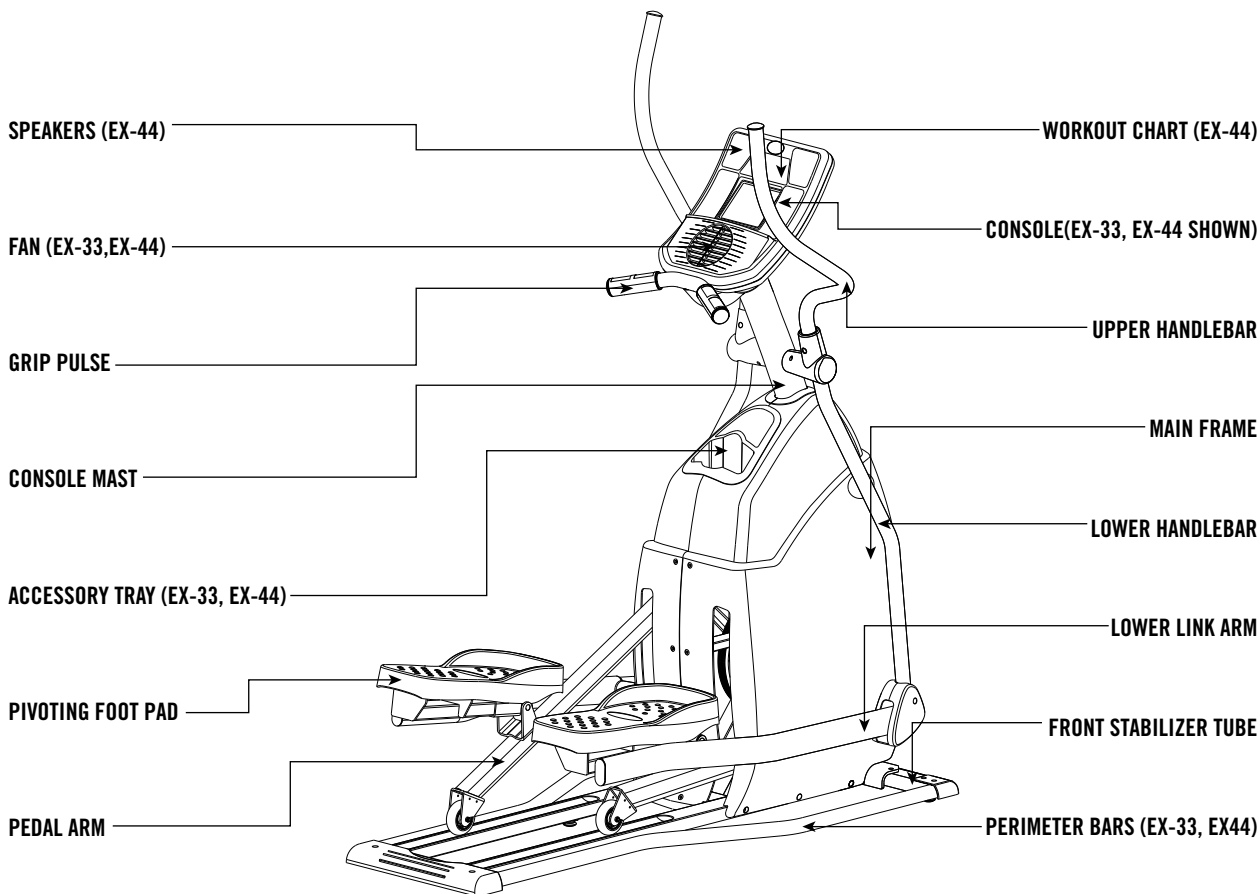
SERIAL NUMBER:

MODEL NAME:



** Refer to the SERIAL NUMBER and MODEL NAME when calling for service.*

** Also enter this serial number on your Warranty Card.*



TOOLS INCLUDED

- 5mm Allen Wrench
- 4mm Allen Wrench
- Phillips Screw Driver
- 13/15mm Flat Wrench
- 17mm Flat Wrench

PARTS INCLUDED

- 1 Console
- 1 Console Mast
- 1 Front Stabilizer Tube
- 2 Upper Handlebars
- 2 Lower Handlebars
- 2 Lower Link Arms
- 2 Pivoting Foot Pads
- 2 Top Side Covers
- 1 Power Supply

EX-22:

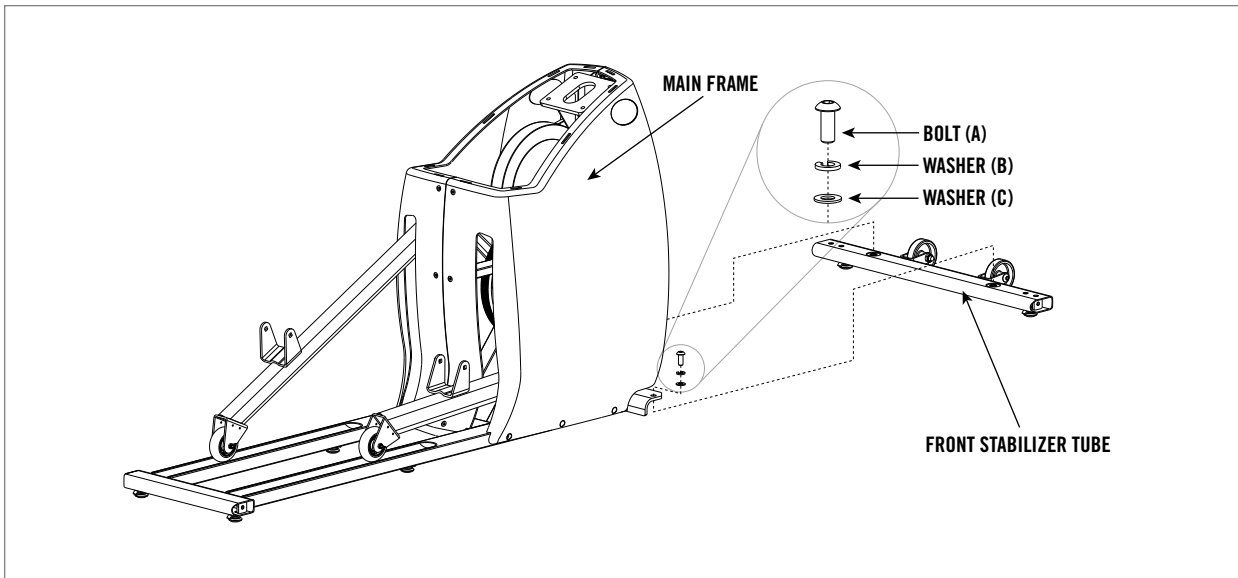
- 4 Hardware Bags

EX-33, EX-44:

- 1 Accessory Tray
- 2 Perimeter Bars
- 3 Stabilizer Covers
- 2 Handlebar Covers
- EX-33: 5 Hardware Bags
- EX-44: 6 Hardware Bags
- EX-44: 2 Elbow Covers

If you have questions or if there are any missing parts, we guarantee complete satisfaction. Customer Tech Support contact information is located on the back panel of this manual.

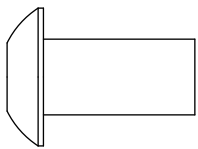
ASSEMBLY STEP 1



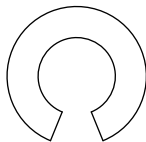
A) Open **HARDWARE BAG FOR STEP 1**.

B) Attach the **FRONT STABILIZER TUBE** to the **MAIN FRAME** using 2 **BOLTS (A)**, 2 **WASHERS (B)** and 2 **WASHERS (C)**.

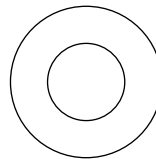
HARDWARE BAG FOR STEP 1 CONTENTS :



BOLT (A)
20 mm
Qty: 2

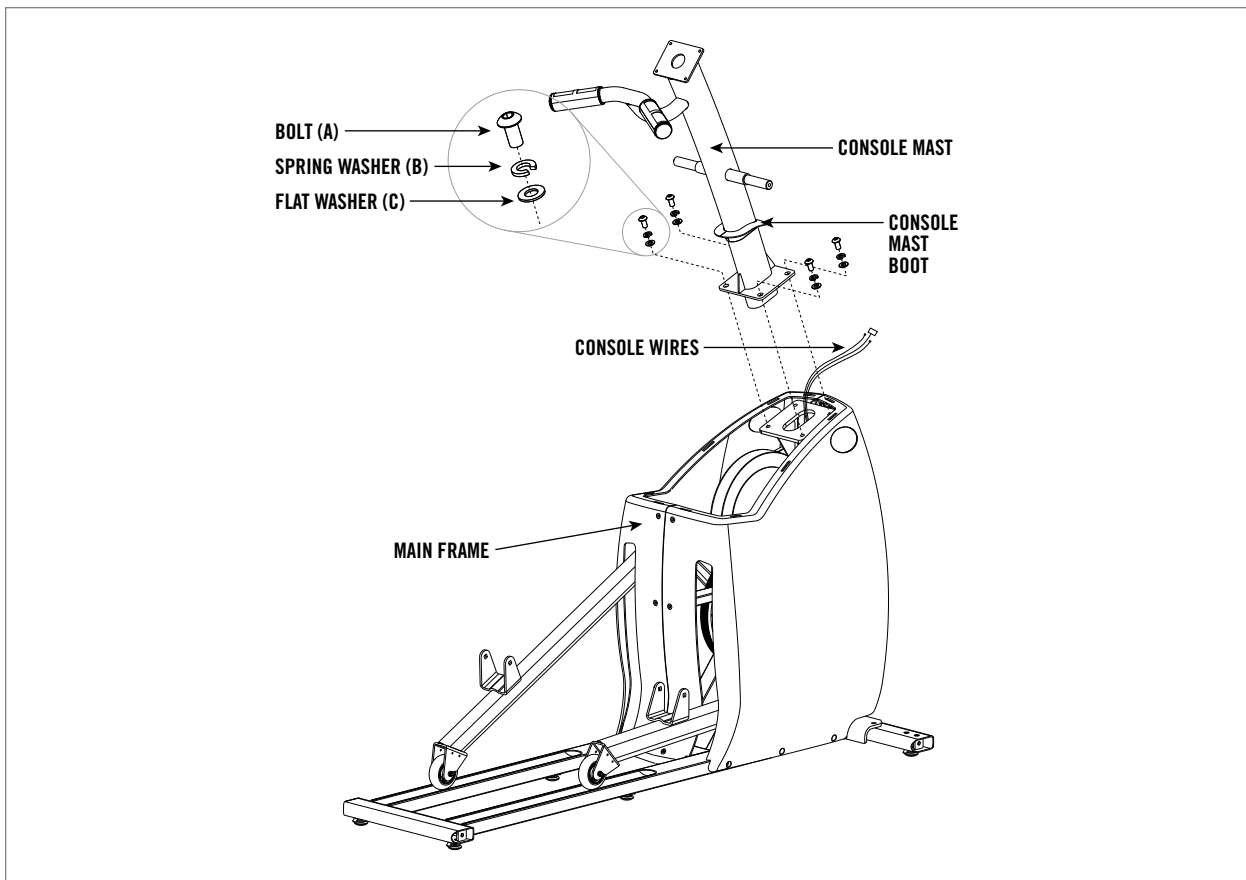


SPRING WASHER (B)
18 mm
Qty: 2



FLAT WASHER (C)
20 mm
Qty: 2

ASSEMBLY STEP 2

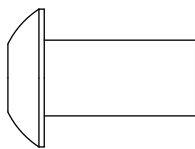


A) Open **HARDWARE BAG FOR STEP 2**.

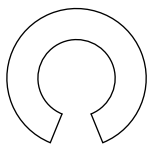
B) Carefully pull the **CONSOLE WIRES** through the **CONSOLE MAST** using the twist tie located inside the **CONSOLE MAST**.

C) Attach the **CONSOLE MAST** to the **MAIN FRAME** using 4 **BOLTS (A)**, 4 **SPRING WASHERS (B)** and 4 **FLAT WASHERS (C)**.

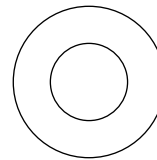
HARDWARE BAG FOR STEP 2 CONTENTS :



BOLT (A)
20 mm
Qty: 4



SPRING WASHER (B)
18 mm
Qty: 4

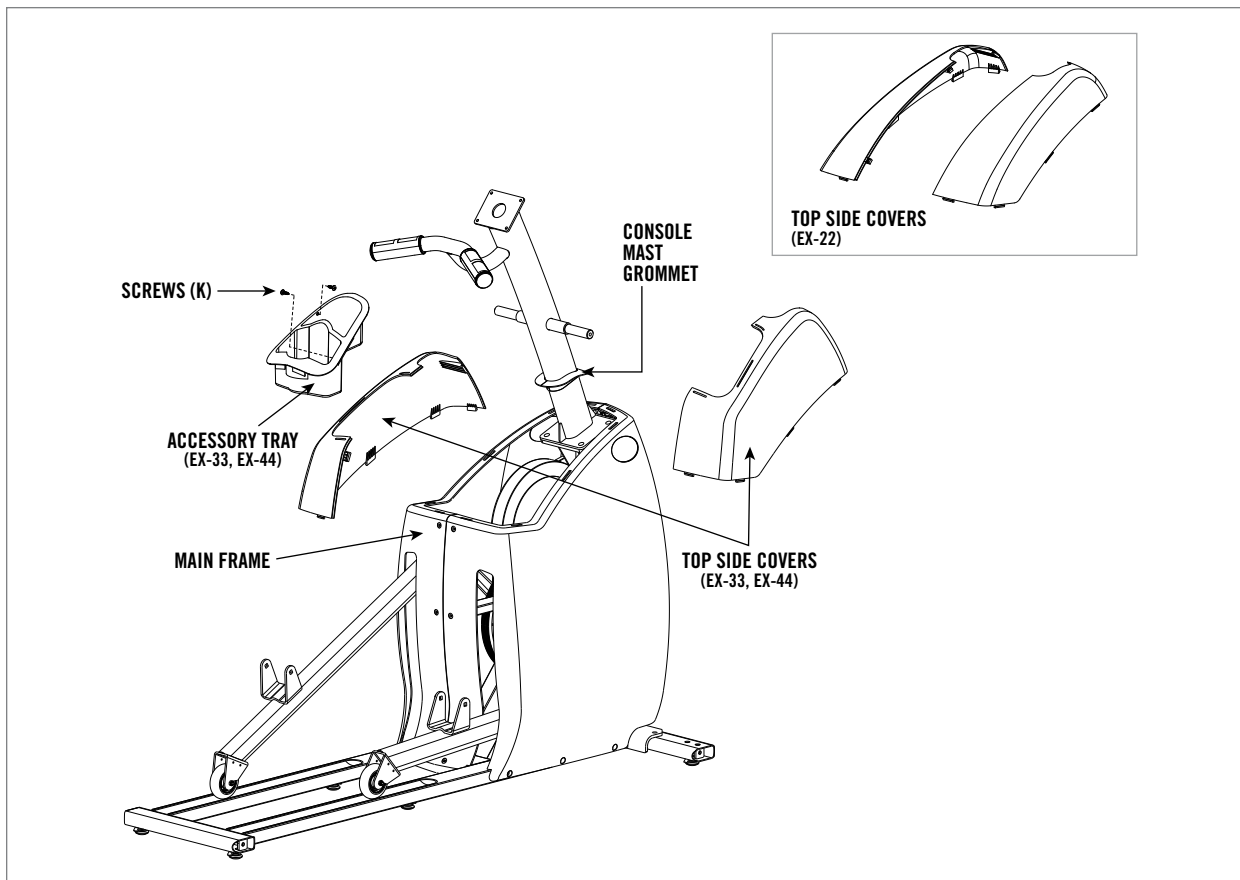


FLAT WASHER (C)
20 mm
Qty: 4

EX-33 & EX-44 ONLY:



SCREW (K)
10 mm
Qty: 2

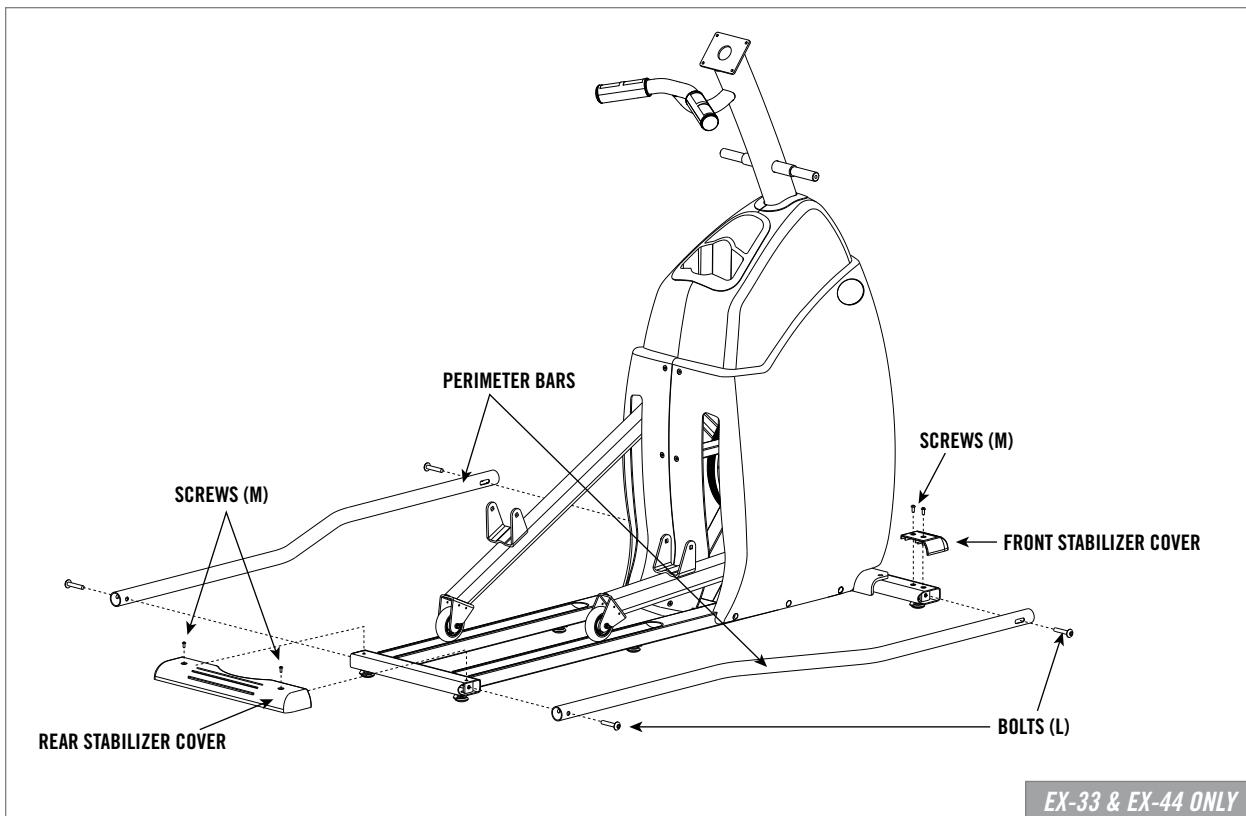


D) Insert the left **TOP SIDE COVER**, followed by the right **TOP SIDE COVER** and snap them together.

E) *EX-33 & EX-44 only:* Insert **ACCESSORY TRAY** and secure it using 2 **SCREWS (K)** as shown.

F) Slide **CONSOLE MAST GROMMET** down to seal the console mast hole.

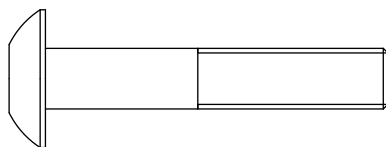
ASSEMBLY STEP 3 (EX-33 & EX-44 ONLY)



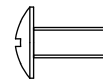
NOTE: EX-22 SKIP THIS STEP

- Open **HARDWARE BAG FOR STEP 3**.
- Attach the **PERIMETER BARS** using 4 **BOLTS (L)**.
- Attach **REAR STABILIZER COVER** using 2 **SCREWS (M)**.
- Attach **FRONT STABILIZER COVERS** using 2 **SCREWS (M)** for each side.

HARDWARE BAG FOR STEP 3 CONTENTS :

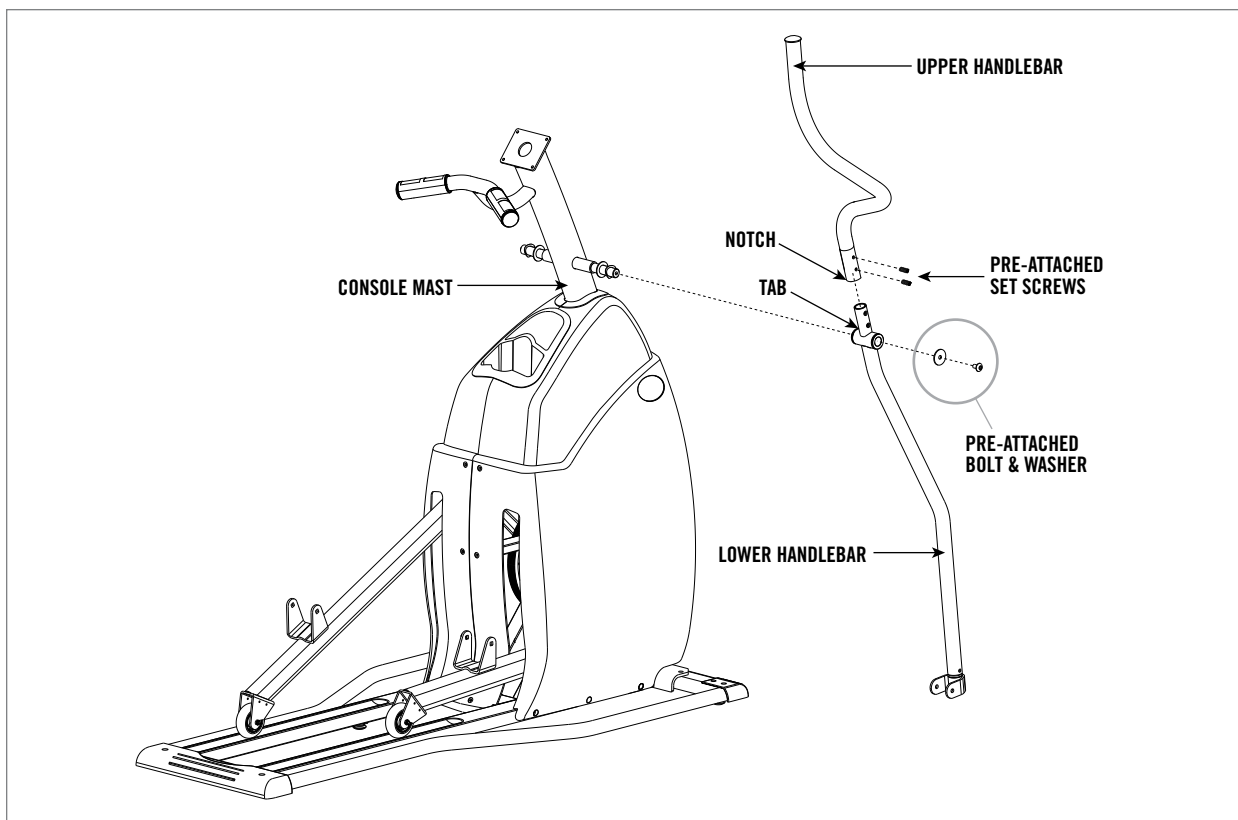


BOLT (L)
45 mm
Qty: 4



SCREW (M)
10 mm
Qty: 6

ASSEMBLY STEP 4



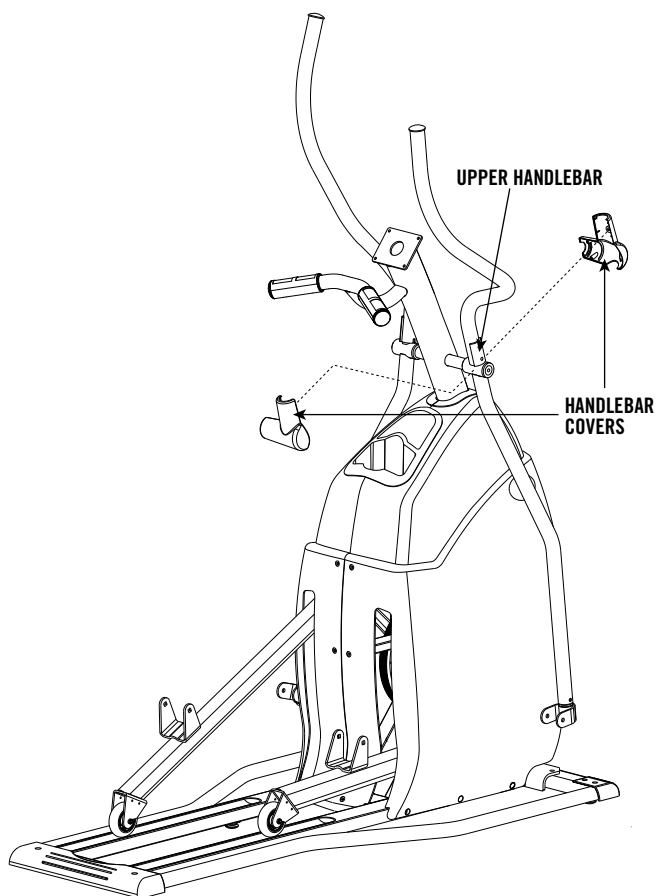
NOTE: There is NO hardware bag for this step. All hardware is pre-installed.

- A) Remove **PRE-ATTACHED BOLT & WASHERS** from **CONSOLE MAST**.
- B) Slide **LOWER HANDLEBARS** onto **CONSOLE MAST** and attach by re-inserting **PRE-ATTACHED BOLT & WASHERS**.
- C) Slide **UPPER HANDLEBARS** onto **LOWER HANDLEBARS** and align **NOTCH** with **TAB** making sure handlebars are joined together completely. Secure **UPPER HANDLEBARS** to **LOWER HANDLEBARS** using **PRE-ATTACHED SET SCREWS**.



After handlebars are assembled they will rotate freely – be cautious. Until the machine is fully assembled, do not grab the handlebars for support.

ASSEMBLY STEP 5 (EX-33 & EX-44 ONLY)



EX-33 & EX-44 ONLY

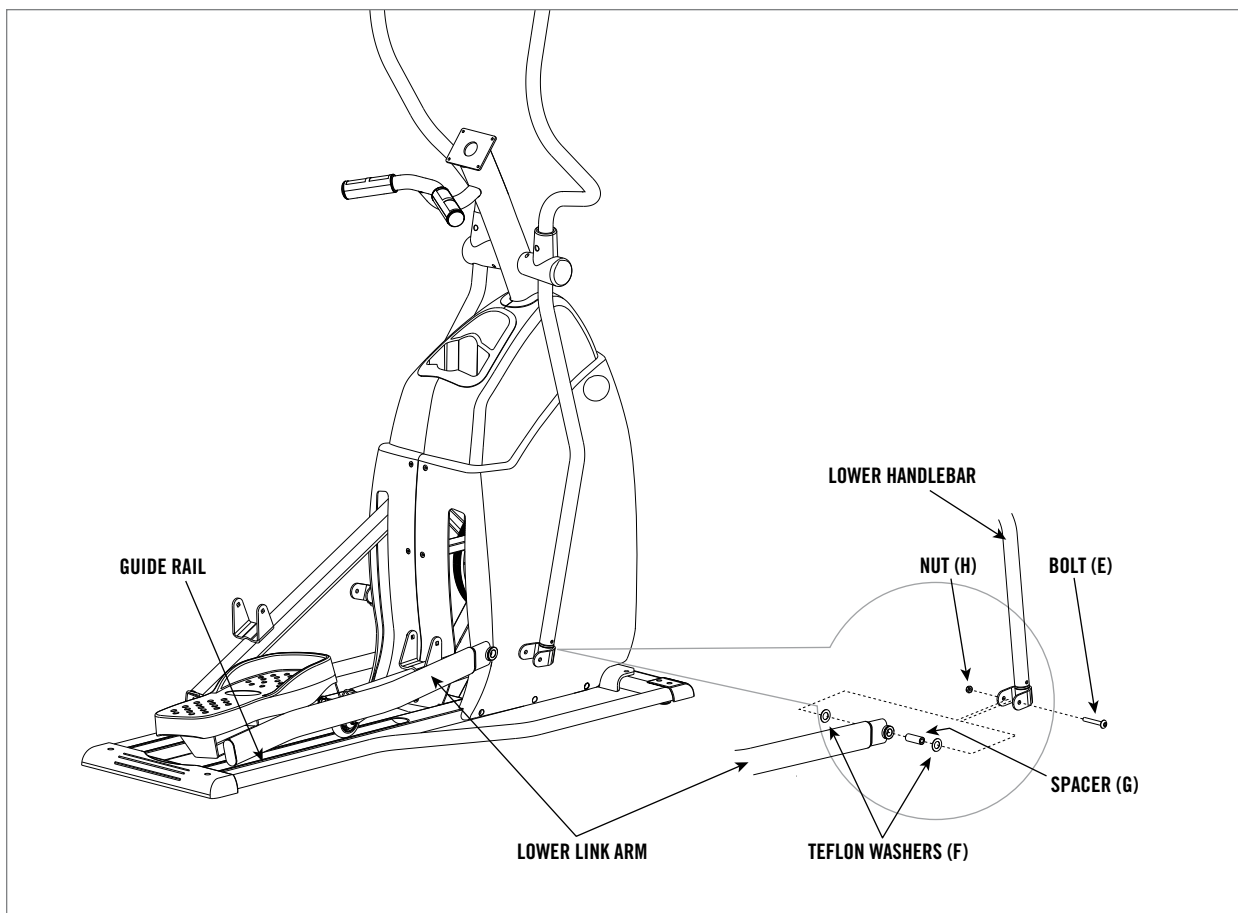
NOTE: EX-22 SKIP THIS STEP

NOTE: There is NO hardware bag for this step.

A) Snap the front and back **HANDLEBAR COVERS** together onto the **UPPER HANDLE BARS**.
Note the position of the snap tabs on the covers before snapping into position.

B) Repeat on other side.

ASSEMBLY STEP 6

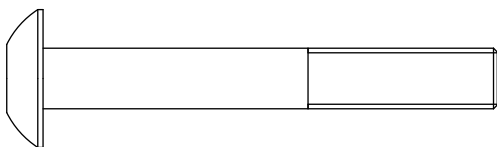


A) Open **HARDWARE BAG FOR STEP 6**.

B) Slide **LOWER LINK ARM** into bottom end of **LOWER HANDLEBAR**. Slide **BOLT (E)** through outside hole in **LOWER HANDLEBAR**, through 1 **TEFLON WASHER (F)**, **SPACER (G)** and another **TEFLON WASHER (F)**. Secure using **NUT (H)**.

C) Repeat on other side.

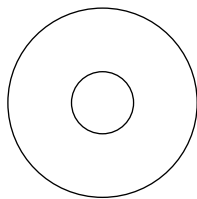
HARDWARE BAG FOR STEP 6 CONTENTS :



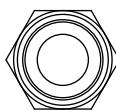
BOLT (E)
60 mm
Qty: 2



SPACER (G)
44 mm axis
Qty: 2

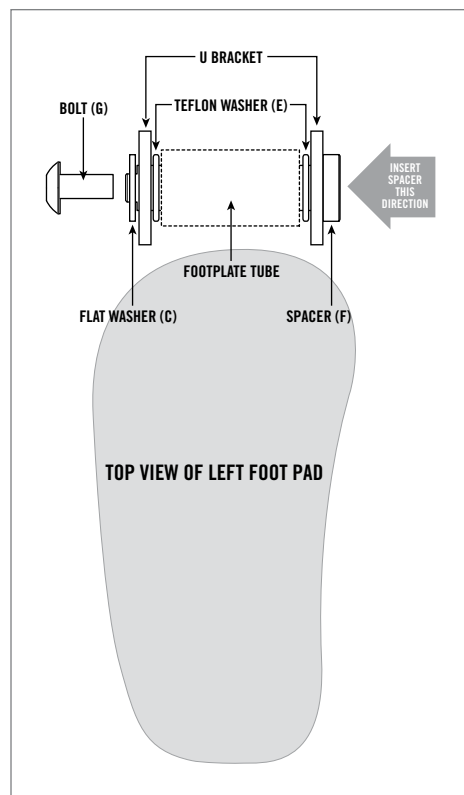
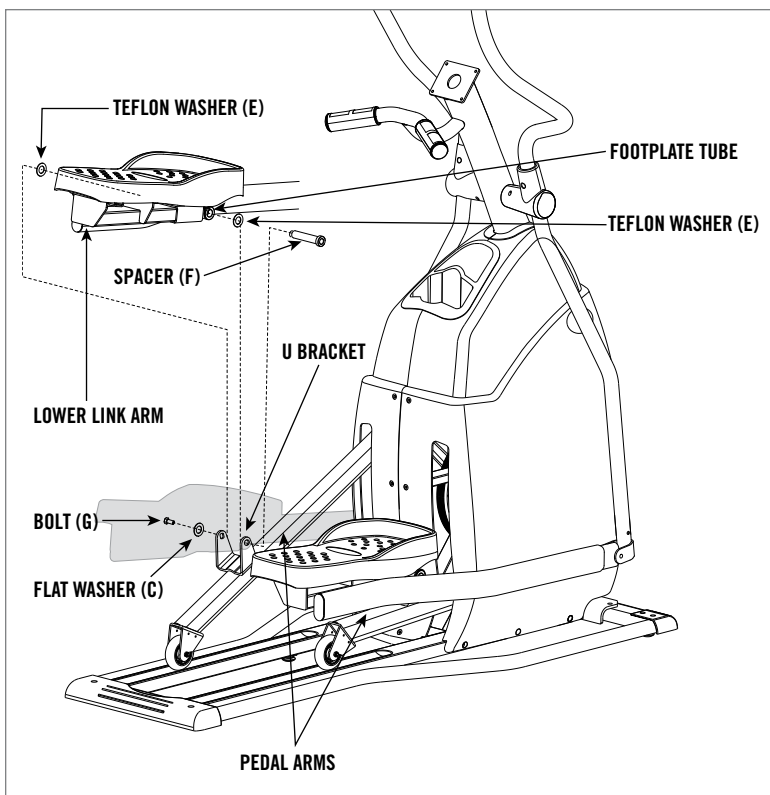


TEFLON WASHER (F)
24 mm
Qty: 4



NYLON NUT (H)
INSIDE DIAMETER:
8 mm
Qty: 2

ASSEMBLY STEP 7



A) Open **HARDWARE BAG FOR STEP 7**.

B) Align **LOWER LINK ARM** with **U BRACKET**.

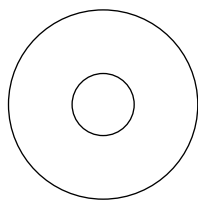
CAUTION: Be careful to keep the **LOWER LINK ARM** aligned with guide rail. Do not twist it to the left or right while positioning it on the **U BRACKET**.

C) Insert 2 **TEFLON WASHERS (E)** on left and right sides of **FOOT PLATE TUBE** before sliding **SPACER (F)** through **U BRACKET** and **FOOTPLATE TUBE**.

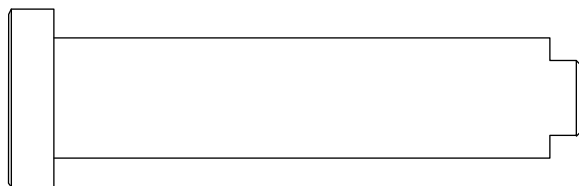
D) Insert **FLAT WASHER (C)** and **BOLT (G)** into outside end of **FOOTPLATE TUBE** to secure **LOWER LINK ARM** to **PEDAL ARM**.

E) Repeat on other side.

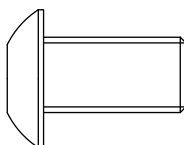
HARDWARE BAG FOR STEP 7 CONTENTS :



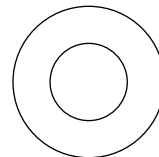
TEFLON WASHER (E)
24 mm
Qty: 4



SPACER (F)
70 mm axis
Qty: 2

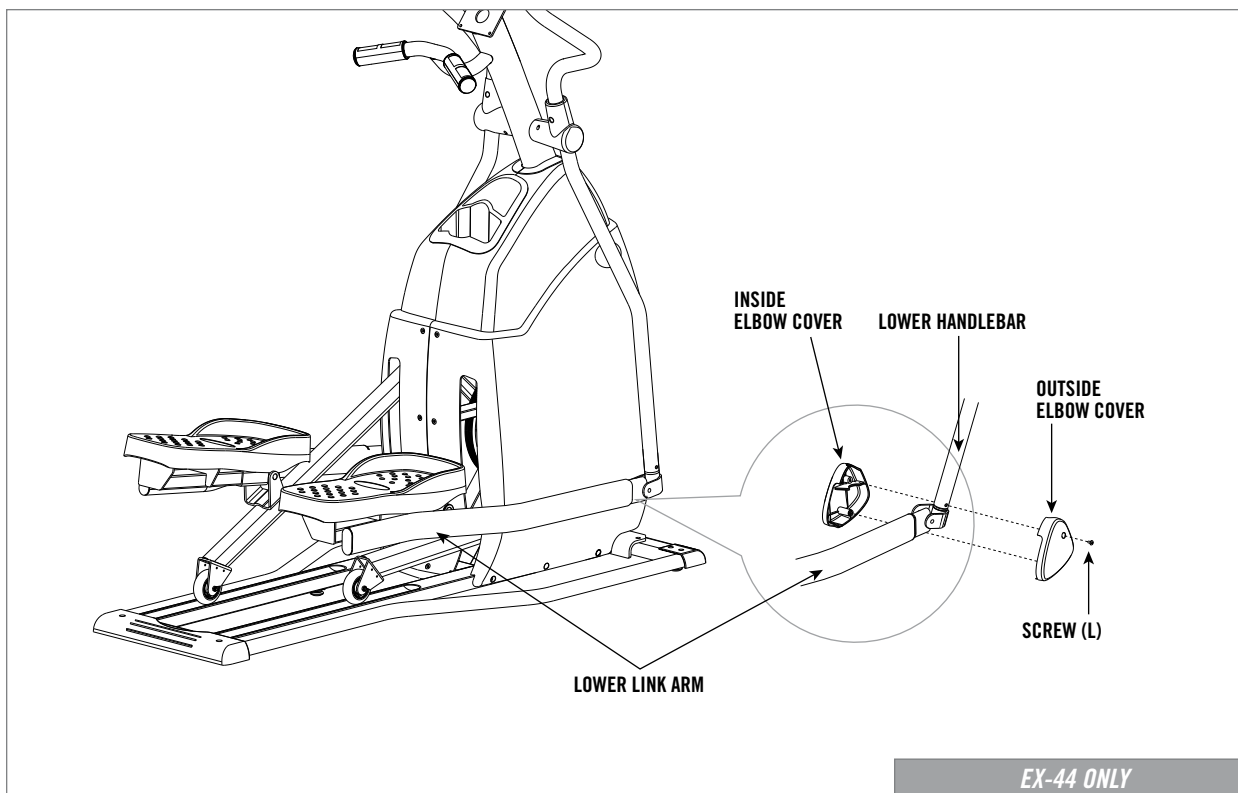


BOLT (G)
15 mm
Qty: 2



FLAT WASHER (C)
20 mm
Qty: 2

ASSEMBLY STEP 8 (EX-44 ONLY)

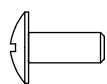


NOTE: EX-22 & EX-33 SKIP THIS STEP

- A) Open **HARDWARE BAG FOR STEP 8**.
- B) Attach the **OUTSIDE ELBOW COVER** to elbow joint using 1 **SCREW (L)**.
- C) Snap the **INSIDE ELBOW COVER** onto the **OUTSIDE ELBOW COVER**.
Note the position of the snap tabs before snapping into position.
- D) Repeat on other side.

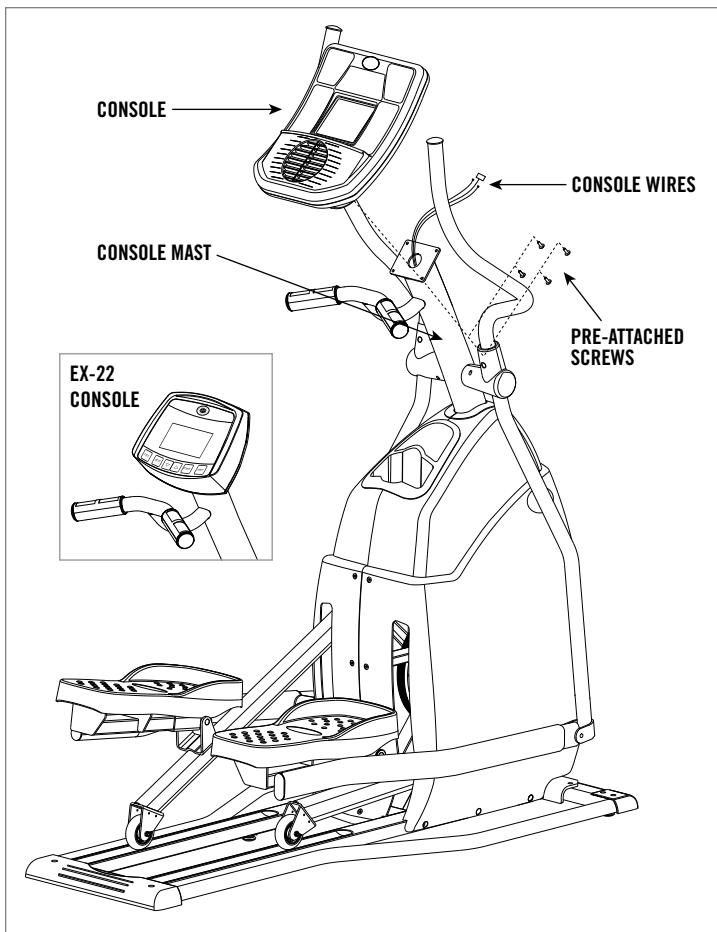
HARDWARE BAG FOR STEP 8 CONTENTS :

EX-44 ONLY



SCREW (L)
10 mm
Qty: 2

ASSEMBLY STEP 9

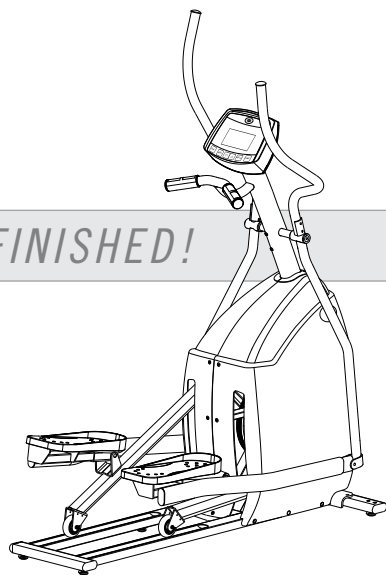


NOTE: There is **NO** hardware bag for this step. All hardware is pre-installed.

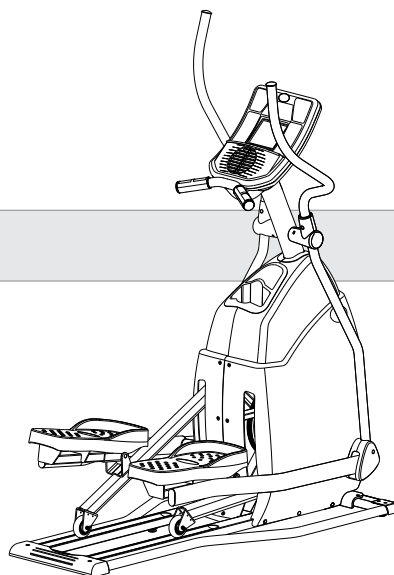
- A) Attach the **CONSOLE MAST** wires to the **CONSOLE** wires .
- B) Carefully tuck the **CONSOLE MAST** wires into the **CONSOLE MAST** before attaching the **CONSOLE**.
- C) Attach **CONSOLE** to the **CONSOLE MAST** using the 4 **PRE-ATTACHED SCREWS** (screws will have to be removed from the console first).

DO NOT PINCH WIRES!

YOU'RE FINISHED!



EX-22



EX-33, EX-44

BEFORE YOU BEGIN

CONGRATULATIONS! on choosing your elliptical. You've taken an important step in developing and sustaining an exercise program! Your elliptical is a tremendously effective tool for achieving your personal fitness goals. Regular use of your elliptical can improve the quality of your life in so many ways.

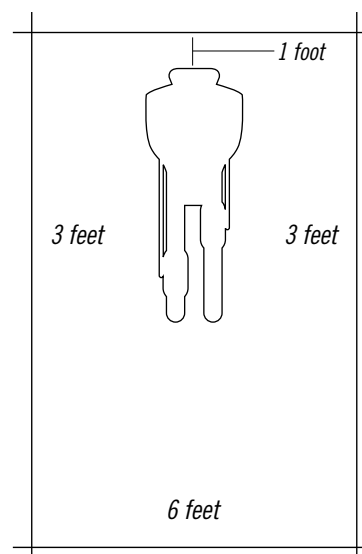
HERE ARE JUST A FEW OF THE HEALTH BENEFITS OF EXERCISE:

- Weight Loss
- A Healthier Heart
- Improved Muscle Tone
- Increased Daily Energy Levels

The key to reaping these benefits is to develop an exercise habit. Your new elliptical will help you eliminate obstacles that prevent you from exercising. Inclement weather and darkness won't interfere with your workout when you use your elliptical in the comfort of your home. This guide provides you with basic information for using and enjoying your new machine.

LOCATION OF THE ELLIPTICAL

Place the elliptical on a level surface. There should be 6 feet of clearance behind the elliptical, 3 feet on each side and one foot in front for the power cord (See diagram to the right). Do not place the elliptical in any area that will block any vent or air openings. The elliptical should not be located in a garage, covered patio, near water or outdoors.



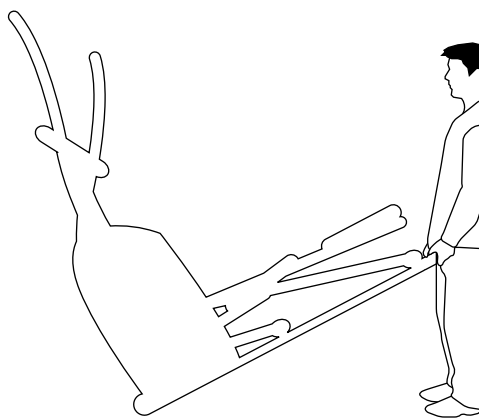
ELLIPTICAL OPERATION

POWER

Your programmable elliptical is powered by a power supply. The power must be plugged into the power jack, which is located in the front of the machine near the STABILIZER TUBE.



**Do not operate the elliptical if the power cord or plug is damaged.
If the elliptical appears to not be working properly, do not use the elliptical.**



MOVING

Your elliptical has a pair of transport wheels built into the FRONT STABILIZER TUBE. To move, first remove the power supply and firmly grasp the CONSOLE MAST, carefully tilt and roll.



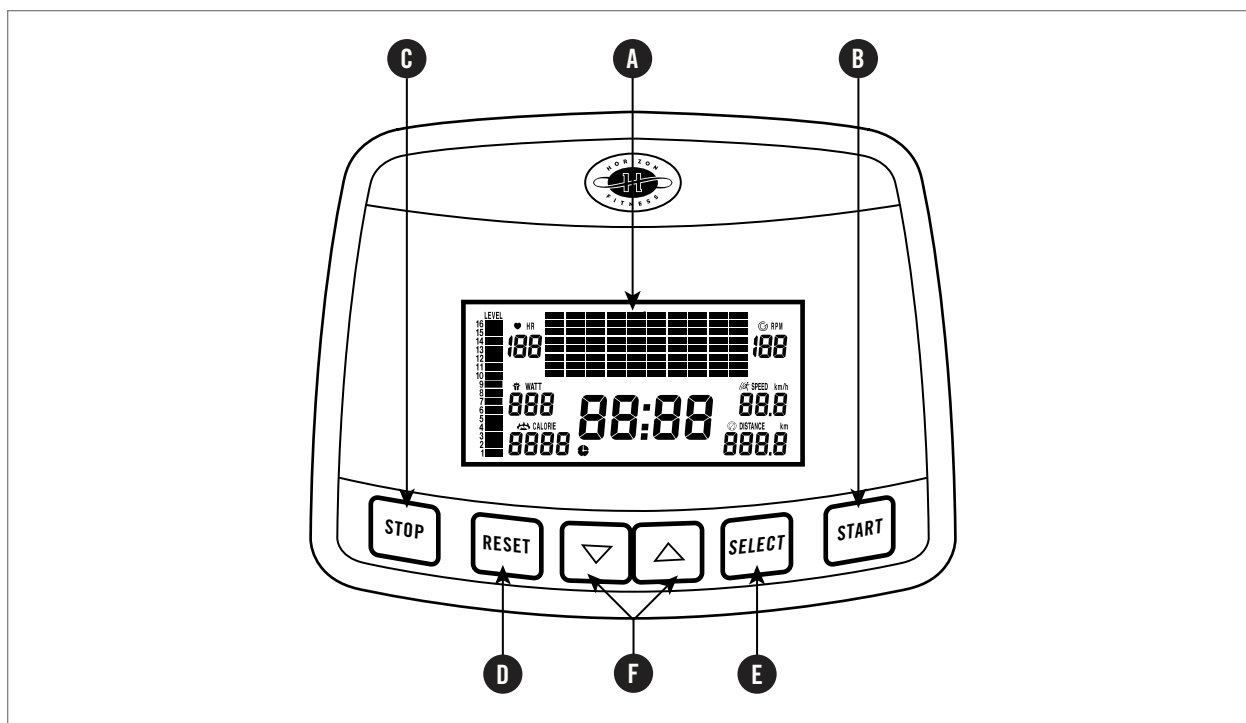
Our ellipticals are well built and heavy, weighing up to 200 lbs! Use care and additional help if necessary when moving.

FOOT POSITIONING

Your elliptical offers a variety of foot positions. Moving your foot to the forward most position of the foot pad increases your step height, which will create a feel similar to a step machine. Placing your foot toward the back of the foot pad decreases your step height and creates more of a gliding feel, similar to a smooth walk or run.

Your elliptical also allows you to pedal both forward and backwards to offer a variation to your workout and to focus on other major leg muscle groups such as your hamstrings and calves.

EX-22 CONSOLE DISPLAY



Note: There is a thin protective sheet of clear plastic on the overlay of the console and should be removed.

A) MONITOR DISPLAY: Speed, Time, Pulse, Distance, Watts, RPM's, Calories and Program Profiles.

B) START: Press to start your workout.

C) STOP: Press to pause/end your workout.

D) RESET: Hold for 2 seconds to reset the elliptical.

E) SELECT: Used to select your program and to select program settings.

F) UP/DOWN ARROW KEYS: Used to adjust resistance.

WATTS DESCRIPTION: A WATT is a measurement of your power output based on the resistance level and speed you are pedaling. For example, if you lower the resistance level and increase your pedaling speed you can still be outputting the same number of watts. Many people will use WATTS as a way to gauge the relative intensity of any give workout compared to previous workouts.

EX-22 CONSOLE OPERATION

Your Elliptical Trainer is powered by a power supply. The power supply must be plugged into the power jack, which is located in the front of the machine near the front stabilizer tube.

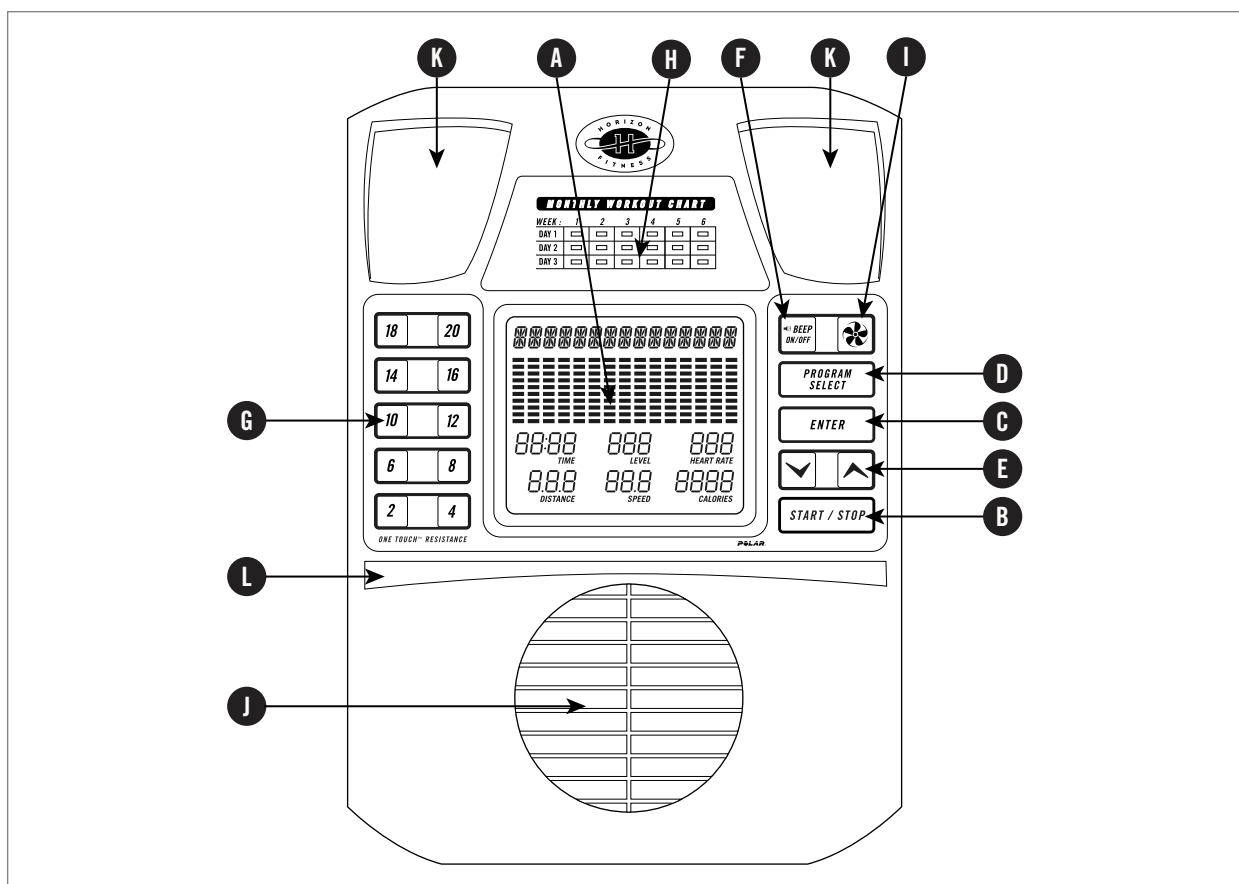
QUICK START

*Simply press the **START** key to begin working out.*

SELECTING PROGRAMS

- 1) Use the **ARROW KEYS** to select programs 1 - 4 then press the **SELECT** button. (Program descriptions are on page 22)
- 2) Use the **ARROW KEYS** to set **LEVEL** then press the **SELECT** button.
- 3) Use the **ARROW KEYS** to set the **TIME** then press the **SELECT** button.
- 4) Use the **ARROW KEYS** to set your **WEIGHT** then press **START** button.
- 5) Program Begins.

EX-33, EX-44 CONSOLE DISPLAY



Note: There is a thin protective sheet of clear plastic on the overlay of the console and should be removed.

- A) MONITOR DISPLAY:** Speed, Time, Pulse, Distance, Level, Calories and Program Profiles.
- B) START/STOP:** Press to start/pause/end your workout. Hold for 2 seconds to reset the elliptical.
- C) ENTER:** Used to set your program.
- D) PROGRAM SELECT:** Used to select your program.
- E) UP/DOWN ARROW KEYS:** Used to adjust resistance.
- F) BEEP ON/OFF:** Used to turn off resistance change indicator sound (Note: does not turn off speakers).
- G) ONE-TOUCH RESISTANCE KEYS:** Used to reach desired resistance more quickly (EX-33: 5 keys, EX-44: 10 keys).
- H) WORKOUT CHART:** Goal oriented program that tracks workout progress over 6 weeks (EX-44 only).
- I) FAN BUTTON:** Used to adjust fan to 3 speed levels.
- J) FAN:** Personal workout fan.
- K) SPEAKERS (EX-44 ONLY):** Music plays through speakers when your personal music player is connected to console. (Plug is located in rear of console. Music player to console connection wire is included.)
- L) READING RACK/MUSIC PLAYER HOLDER:** Holds reading material or music player.

EX-33, EX-44 CONSOLE OPERATION

QUICK START

- 1) Turn on Elliptical.
- 2) Press **START** button and begin exercising.
- 3) Program will automatically default to **MANUAL (P1)**, the time will count up from 0:00, and the resistance will default to level 1.
- 4) The resistance level can be adjusted during the workout.

SELECTING PROGRAMS

- 1) Select a program using the **PROGRAM SELECT** key and press **ENTER**.
NOTE: If you press **START the program will begin and counts up from 0:00 for the manual program, and count down from 30:00 for all other programs. The resistance defaults to 1.*
- 2) Select a **RESISTANCE LEVEL** using the **ARROW KEYS** and press **ENTER**.
- 3) Set **WEIGHT** using the **ARROW KEYS** and press **ENTER**.
- 4) Set **TIME** using the **ARROW KEYS** and press **ENTER**.
 - Count down from 20:00 to 99:00 minutes – Select desired time and press **ENTER**.

SELECTING CUSTOM PROGRAMS

- 1) Select **CUSTOM PROGRAM** using the **PROGRAM SELECT** key and press **ENTER**.
- 2) Set **TIME** using the **ARROW KEYS** and press **ENTER**.
 - IF THE PROGRAM IS PREVIOUSLY STORED – After you set the time and press **START/STOP** the previously stored program will begin.
- 3) Set the **RESISTANCE PROFILES** using the **ARROW KEYS** and press **ENTER** after each **RESISTANCE PROFILE** is set to the desired level (repeat until all 15 segments are chosen).
NOTE: if **START is pressed it will take you back to previous segment.*
- 4) Set **WEIGHT** using the **ARROW KEYS** and press **ENTER**
- 5) After **WEIGHT** is set press **ENTER** to save the program and **USER'S WEIGHT** into memory.
- 6) Press **START** or **ENTER** to begin the program.
NOTE: To reset the memory press and hold the **ENTER button for 5 seconds.*

SELECTING THR ZONE PROGRAM

- 1) Select **THR ZONE** program using the **PROGRAM SELECT** keys and press **ENTER**.
 - The **HEART RATE** window will flash showing the default target heart rate of 100 beats per minute. Select your target heart rate (from the chart on page 26) using the **ARROW KEYS** and press **ENTER**.
 - ***NOTE:** Target beats per minute is selected in intervals of 5
- 2) Select **WEIGHT** using the **ARROW KEYS** and press **ENTER**.
- 3) Select **TIME** using the **ARROW KEYS** and press **ENTER** or **START** to begin the program.

NOTES:

- 1) There is a 4-minute warm-up built into this program at level 1 resistance.
- 2) After 4 minutes the resistance will automatically adjust to bring your heart rate within 5 beats of the target number you selected at the beginning of the program.
- 3) If there is no Heart Rate detected, the unit will not change resistance levels up or down.
- 4) If your Heart Rate is 25 beats over your Target Zone the program will shut down.

SELECTING WORKOUT CALENDAR PROGRAM

- 1) Select **WORKOUT CALENDAR** program using the **PROGRAM SELECT** key and press **ENTER**.
- 2) Select User 1 or User 2 using the **ARROW KEYS** and press **ENTER**.
 - A) If the program has been previously stored the workout will begin from the previous workout when **ENTER** is pressed. (To reset information press and hold **START/STOP** button)
 - B) If there is no stored information pressing **ENTER** will allow you to select your weight.
- 3) Select **WEIGHT** using the **ARROW KEYS** and press **ENTER**.
- 4) Select **TIME** using the **ARROW KEYS** and press **ENTER** or **START**.
 - ***NOTE:** the **TIME** set will be the amount of time for the rest of the 18 workouts.
- 5) Program begins. Adjust the **RESISTANCE** to the appropriate level.

PROGRAM PROFILES



MANUAL (EX-22, EX-33, EX-44)

Allows you to adjust the resistance level to your preference, without a preset program.



INTERVALS (EX-22, EX-33, EX-44)

Improves your strength, speed and endurance by raising and lowering the resistance levels through-out your workout to involve both your heart and muscles.



WEIGHT LOSS (EX-22, EX-33, EX-44)

Promotes weight loss by raising and lowering the resistance level, while keeping you in your fat burning zone.



ROLLING (EX-22, EX-33, EX-44)

Creates the feeling of moving up and down hills by gradually increasing and decreasing the resistance.



REVERSE TRAIN (EX-33, EX-44)

Program cues you to pedal forward and backwards for an exciting and challenging workout.



RANDOM (EX-44)

Provides even more workout variety by mixing up your resistance intervals in no particular order.



CUSTOM 1 (USER PROGRAM) (EX-33, EX-44)

Design and store your own custom exercise program.



CUSTOM 2 (USER PROGRAM) (EX-44)

Design and store your own custom exercise program.



THR ZONE (EX-33, EX-44)

Automatically adjust the resistance level to keep your heart rate in your desired range.

60% OF MAX HEART RATE: *Used for beginners and longer workouts. Lower intensity and longer duration helps burn fat more efficiently.*

65% OF MAX HEART RATE: *Used for beginner to intermediate users and mid to long range workouts. Lower intensity and longer duration helps burn fat more efficiently.*

70% OF MAX HEART RATE: *For intermediate users and mid range cardio workouts. While this range burns fat it really challenges the cardiovascular system and helps strengthen the heart.*

75% OF MAX HEART RATE: *For advanced users and short to mid range cardio workouts. Burns fat, tones muscles and challenges the heart.*

80% OF MAX HEART RATE: *For advanced users and short workouts. Burns fat, strengthens and tones muscles, and challenges the entire cardiovascular system.*



WORKOUT CALENDAR (STORES UP TO 2 USER'S INFORMATION) (EX 44 ONLY)

This long-term goal oriented programming helps you stay motivated by tracking your workout progress over the course of several weeks. The goal of this program is to keep you working out 3 times a week for 6 weeks for a total of 18 workouts with each workout being a preset amount of time. Each workout day is comprised of a different pre programmed workout (see workout summary section below).

NOTES:

1. *Your cumulative distance traveled will be stored and is shown when you select each individual user. During the workout, the distance shown is your distance traveled on that particular workout.*
2. *Lights on the workout calendar of previously accomplished workouts will stay ON until program has finished on DAY 3, WEEK 6.*
3. *There is no internal clock, so if you workout 5 times in the first week then 5 workouts will be checked and the console will represent it as week 2.*

WORKOUT SUMMARY

- a. *Workout 1 - Day 1 – Week 1 (Interval Program)*
- b. *Workout 2 - Day 2 – Week 1 (Weight Loss Program)*
- c. *Workout 3 – Day 3 – Week 1 (Rolling Program)*
- d. *Workout 4 – Day 1 – Week 2 (Intervals Program)*
- e. *Workout 5 – Day 2 – Week 2 (Rolling Program)*
- f. *Workout 6 – Day 3 – Week 2 (Weight Loss Program)*
- g. *Workout 7 – Day 1 – Week 3 (Rolling Program)*
- h. *Workout 8 – Day 2 – Week 3 (Random Program)*
- i. *Workout 9 – Day 3 – Week 3 (Intervals Program)*
- j. *Workout 10 – Day 1 – Week 4 (Rolling Program)*
- k. *Workout 11 – Day 2 – Week 4 (Random Program)*
- l. *Workout 12 – Day 3 – Week 4 (Weight Loss Program)*
- m. *Workout 13 – Day 1 – Week 5 (Intervals Program)*
- n. *Workout 14 – Day 2 – Week 5 (Weight Loss Program)*
- o. *Workout 15 – Day 3 – Week 5 (Rolling Program)*
- p. *Workout 16 – Day 1 – Week 6 (Random Program)*
- q. *Workout 17 – Day 2 – Week 6 (Intervals Program)*
- r. *Workout 18 – Day 3 – Week 6 (Random Program)*

HEART RATE

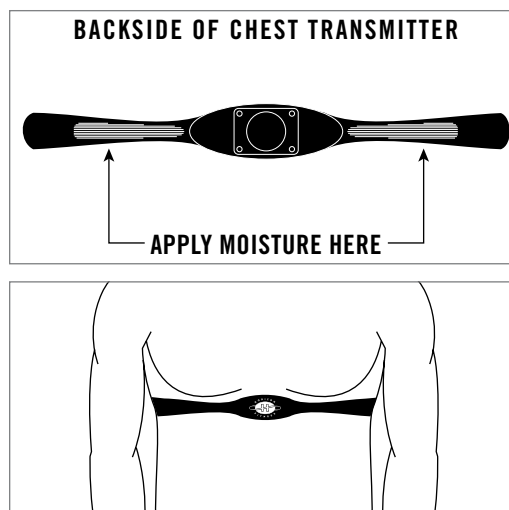
HANDLEBARS

Place the palm of your hands directly on the grip pulse handlebars. Both hands must grip the bars for your heart rate to register. It takes 5 consecutive heart beats (15-20 seconds) for your heart rate to register. When gripping the pulse handlebars, do not grip tightly. Holding the grips tightly may elevate your blood pressure. Keep a loose, cupping hold. You may experience an erratic readout if consistently holding the grip pulse handlebars. Make sure to clean the pulse sensors to ensure proper contact can be maintained.

WIRELESS CHEST TRANSMITTER (EX-44 ONLY)

Prior to wearing the wireless chest transmitter on your chest, moisten the two rubber electrodes with water. Center the chest strap just below the breast or pectoral muscles, directly over your sternum, with the logo facing out. **NOTE:** The chest strap must be tight and properly placed to receive an accurate and consistent readout. If the chest strap is too loose, or positioned improperly, you may receive an erratic or inconsistent heart rate readout. **WARNING!** The heart rate function is not a medical device. Various factors may affect the accuracy of your heart rate reading. The heart rate reading is intended only as an exercise aid.

NOTE: Chest Strap sold separately. Works with Polar® Chest Straps.



CONDITIONING GUIDELINES

ALWAYS CONSULT YOUR PHYSICIAN BEFORE BEGINNING AN EXERCISE PROGRAM.

HOW OFTEN? (Frequency of Workouts)

The American Heart Association recommends that you exercise at least 3 to 4 days per week to maintain cardiovascular fitness. If you have other goals such as weight or fat loss, you will achieve your goal faster with more frequent exercise. Whether it's 3 days or 6 days, remember that your ultimate goal should be to make exercise a lifetime habit. Many people are successful staying with a fitness program if they set aside a specific time of day to exercise. It doesn't matter whether it's in the morning before breakfast, during lunch hour or while watching the evening news. What's more important is that it's a time that allows you to keep a schedule, and a time when you won't be interrupted. To be successful with your fitness program, you have to make it a priority in your life. So decide on a time, pull out your day planner and pencil in your exercise times for the next month!

HOW LONG? (Duration of Workouts)

For aerobic exercise benefits, it's recommended that you exercise from between 24 and 60 minutes per session. But start slowly and gradually increase your exercise times. If you've been sedentary during the past year, it may be a good idea to keep your exercise times to as little as five minutes initially. Your body will need time to adjust to the new activity. If your goal is weight loss, a longer exercise session at lower intensities has been found to be most effective. A workout time of 48 minutes or more is recommended for best weight loss results.

HOW HARD? (Intensity of Workouts)

How hard you workout is also determined by your goals. If you use your machine to prepare for a 5K workout, you will probably work out at a higher intensity than if your goal is general fitness. Regardless of your long term goals, always begin an exercise program at low intensity. Aerobic exercise does not have to be painful to be beneficial! There are two ways to measure your exercise intensity. The first is by monitoring your heart rate (using the grip pulse handlebars or a wireless chest transmitter - may be sold separately), and the second is by evaluating your perceived exertion level (this is simpler than it sounds!).

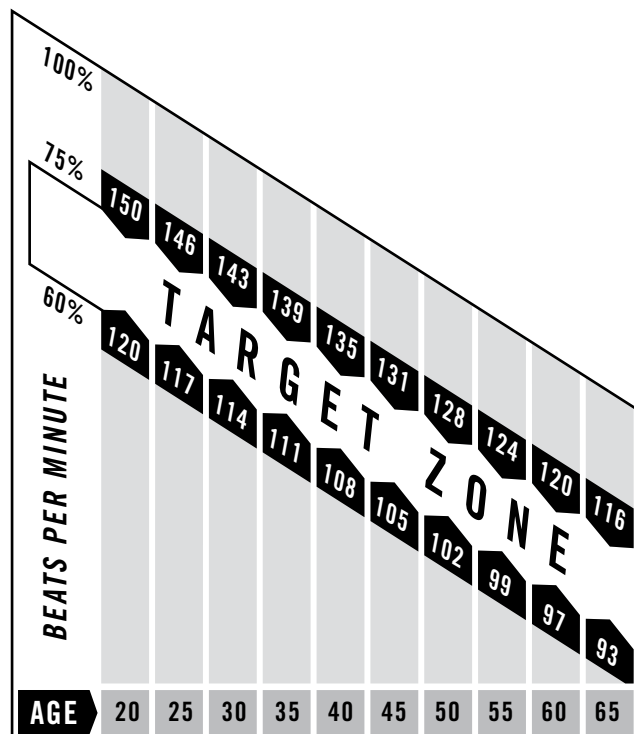
PERCEIVED EXERTION LEVEL

A simple way to gauge your exercise intensity is to evaluate your perceived exertion level. While exercising, if you are too winded to maintain a conversation without gasping, you are working out too hard. A good rule of thumb is to work to the point of exhilaration, not exhaustion. If you cannot catch your breath, it's time to slow down. Always be aware of these warning signs of overexertion.

TARGET HEART RATE ZONE CHART

What is Target Heart Rate Zone?

Target Heart Rate Zone tells you the number of times per minute your heart needs to beat to achieve a desired workout effect. It is represented as a percentage of the maximum number of times your heart can beat per minute. Target Zone will vary for each individual, depending on age, current level of conditioning, and personal fitness goals. The American Heart Association recommends working-out at a Target Heart Rate Zone of between 60% and 75% of your maximum heart rate. A beginner will want to workout in the 60% range while a more experienced exerciser will want to workout in the 70-75% range. See chart for reference.



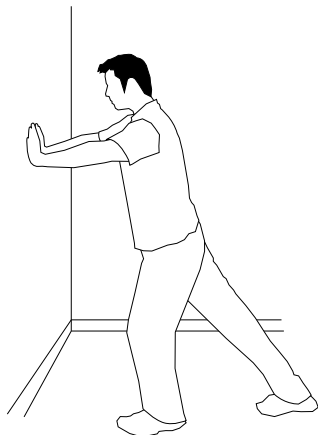
EXAMPLE:

For a 42-year-old user: Find age along the bottom of the chart (round to 40), follow age column up to the target zone bar. Results: 60% of maximum Hear Rate = 108 Beats Per Minute, 75% of maximum Heart Rate = 135 Beat Per Minute.

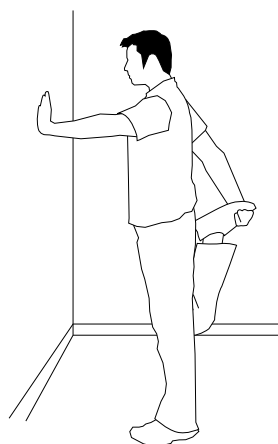
ALWAYS CONSULT YOUR PHYSICIAN BEFORE BEGINNING AN EXERCISE PROGRAM.

TIPS **STRETCHING****STRETCH FIRST**

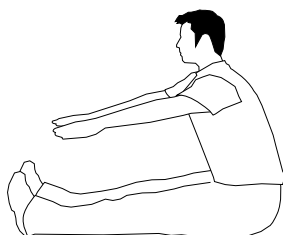
Before using your product, it is best to take a few minutes to do a few gentle stretching exercises. Stretching prior to exercise will improve flexibility and reduce chances of exercise related injury. Ease into each of these stretches with a slow gentle motion. Do not stretch to the point of pain. Make sure not to bounce while doing these stretches.

**1. STANDING CALVE MUSCLE STRETCH**

Stand near a wall with the toes of your left foot about 18" from the wall, and the right foot about 12" behind the other foot. Lean forward, pushing against the wall with your palms. Keep your heels flat and hold this position for a count of 15 seconds. Make sure that you do not bounce while stretching. Repeat on the other side.

**2. STANDING QUADRICEPS STRETCH**

Using a wall to provide balance, grasp your left ankle with your left hand and hold your foot against the back of your thigh for 15 seconds. Repeat with your right ankle and hand.

**3. SITTING HAMSTRING & LOWER BACK MUSCLE STRETCH**

Sit on the floor with your legs together and straight out in front of you. Do not lock your knees. Extend your fingers towards your toes and hold for a count of 15 seconds. Make sure that you do not bounce while stretching. Sit upright again. Repeat one time.

TIPS**THE IMPORTANCE OF WARM UP & COOL DOWN****WARM UP**

The first 2 to 5 minutes of a workout should be devoted to warming up. The warm-up will limber your muscles and prepare them for more strenuous exercise. Make sure that you warm-up on your product at a slow pace. The warm up should gradually bring your heart rate into your Target Heart Rate Zone.

COOL DOWN

Never stop exercising suddenly! A cool-down period of 3-5 minutes allows your heart to readjust to the decreased demand. Make sure that your cool down period consists of a very slow pace to allow your heart rate to lower. After the cool-down, repeat the stretching exercises listed above to loosen and relax your muscles.

TIPS**ACHIEVING YOUR FITNESS GOALS**

An important step in developing a long term fitness program is to determine your goals. Is your primary goal for exercising to lose weight? Improve muscle? Reduce stress? Prepare for the spring racing schedule? Knowing what your goals are will help you develop a more successful exercise program. Below are some common exercise goals:

- Weight Loss - lower intensity, longer duration workouts
- Improve Body Shape and Tone - interval workouts, alternate between hi and low intensities
- Increased Energy Level - more frequent daily workouts
- Improved Sports Performance - high intensity workouts
- Improved Cardiovascular Endurance - moderate intensity, longer duration workouts

If possible try to define your personal goals in precise, measurable terms, and then put your goals in writing. The more specific you can be, the easier it will be to track your progress. If your goals are long term, divide them up into monthly and weekly segments. Longer term goals can lose some of the immediate motivation benefits. Short term goals are easier to achieve. Your console provides you with several readouts that can be used to record your progress. You can track Distance, Calories or Time.

KEEPING AN EXERCISE DIARY

To make your personal exercise log book, photocopy the weekly and monthly log sheets, which are located on the following pages, or you can print them off of your computer by going to:

www.horizonfitness.com/guides/weeklylog.pdf

www.horizonfitness.com/guides/monthlylog.pdf

As your fitness improves, you can look back and see how far you've come!

WEEKLY LOG SHEETS

WEEK # _____		WEEKLY GOAL _____			
DAY	DATE	DISTANCE	CALORIES	TIME	COMMENTS
SUNDAY					
MONDAY					
TUESDAY					
WEDNESDAY					
THURSDAY					
FRIDAY					
SATURDAY					
WEEKLY TOTALS :					

WEEK # _____		WEEKLY GOAL _____			
DAY	DATE	DISTANCE	CALORIES	TIME	COMMENTS
SUNDAY					
MONDAY					
TUESDAY					
WEDNESDAY					
THURSDAY					
FRIDAY					
SATURDAY					
WEEKLY TOTALS :					

WEEK # _____		WEEKLY GOAL _____			
DAY	DATE	DISTANCE	CALORIES	TIME	COMMENTS
SUNDAY					
MONDAY					
TUESDAY					
WEDNESDAY					
THURSDAY					
FRIDAY					
SATURDAY					
WEEKLY TOTALS :					

WEEKLY LOG SHEETS

WEEK # _____		WEEKLY GOAL _____			
DAY	DATE	DISTANCE	CALORIES	TIME	COMMENTS
SUNDAY					
MONDAY					
TUESDAY					
WEDNESDAY					
THURSDAY					
FRIDAY					
SATURDAY					
WEEKLY TOTALS :					

WEEK # _____		WEEKLY GOAL _____			
DAY	DATE	DISTANCE	CALORIES	TIME	COMMENTS
SUNDAY					
MONDAY					
TUESDAY					
WEDNESDAY					
THURSDAY					
FRIDAY					
SATURDAY					
WEEKLY TOTALS :					

WEEK # _____		WEEKLY GOAL _____			
DAY	DATE	DISTANCE	CALORIES	TIME	COMMENTS
SUNDAY					
MONDAY					
TUESDAY					
WEDNESDAY					
THURSDAY					
FRIDAY					
SATURDAY					
WEEKLY TOTALS :					

INTRODUCTION

IMPORTANT PRECAUTIONS

ASSEMBLY

BEFORE YOU BEGIN

ELLIPTICAL OPERATION

CONDITIONING GUIDELINES

TROUBLESHOOTING & MAINTENANCE

LIMITED WARRANTY

MONTHLY LOG SHEETS

<i>MONTH</i> _____		<i>MONTHLY GOAL</i> _____	
<i>WEEK #</i>	<i>DISTANCE</i>	<i>CALORIES</i>	<i>TIME</i>
<i>MONTHLY TOTALS :</i>			

<i>MONTH</i> _____		<i>MONTHLY GOAL</i> _____	
<i>WEEK #</i>	<i>DISTANCE</i>	<i>CALORIES</i>	<i>TIME</i>
<i>MONTHLY TOTALS :</i>			

<i>MONTH</i> _____		<i>MONTHLY GOAL</i> _____	
<i>WEEK #</i>	<i>DISTANCE</i>	<i>CALORIES</i>	<i>TIME</i>
<i>MONTHLY TOTALS :</i>			

TROUBLESHOOTING

Your Horizon Fitness elliptical is designed to be reliable and maintenance free. However, if you do experience problems with your elliptical, please reference the troubleshooting guide listed below.

PROBLEM: The console does not light up.

SOLUTION: Verify the following:

- The outlet the machine is plugged into is functional. Double check that the breaker has not tripped.
- The correct adapter is being used. Only use the adapter provided or authorized by Horizon Fitness.
- The adapter is not pinched or damaged and is properly plugged into the outlet AND the machine.
- The power switch is turned to the ON position (may not apply to all models).
- Turn off the machine and unplug power cord. Remove the console and check that all connections to the console are secure and not damaged or pinched.

PROBLEM: The console lights up but the Time/RPM's do not count.

SOLUTION: Verify the following:

- Turn off machine and unplug power cord. Remove the console and check that all connections to the console are secure and not damaged or pinched.
- If doing the above does not fix the problem, the speed sensor and/or magnet may have become dislodged or damaged.

PROBLEM: The resistance levels seem to be incorrect, seeming too hard or too easy.

SOLUTION: Verify the following:

- The correct adapter is being used. Only use the adapter provided or authorized by Horizon Fitness.
- Reset the console and allow the resistance to reset to the default position. Restart and retry the resistance levels.

PROBLEM: The roller wheels appear to be leaving particles on the guide rails.

SOLUTION: This is considered normal wear of the elliptical wheels.

To remove, simply wipe off the roller wheels and guide rails with a damp cloth.

PROBLEM: The elliptical makes a squeaking or chirping noise.

SOLUTION: Verify the following:

- The elliptical is on a level surface.
- Loosen all bolts attached during the assembly process, grease the threads, and tighten again.

HEART RATE TROUBLESHOOTING

PROBLEM: There is no heart rate reading.

SOLUTION: Remove the console and verify that the heart rate cables are attached properly, making sure that the cables are securely inserted into the console.

Check your exercise environment for sources of interference such as high power lines, large motors, etc.

YOU MAY EXPERIENCE AN ERRATIC READOUT UNDER THE FOLLOWING CONDITIONS:

- Gripping the heart rate handlebars too tight. Try to maintain moderate pressure while holding onto the heart rate handlebars.
- Constant movement and vibration due to constantly holding the heart rate grips while exercising.
- When you are breathing heavily during a workout.
- When your hands are constricted by wearing a ring.
- When your hands are dry or cold. Try moistening your palms or rubbing them together to warm.
- Anyone with heavy arrhythmia.
- Anyone with arteriosclerosis or peripheral circulation disorder.
- Anyone whose skin on the measuring palms is especially thick.

NOTE: Outside interference sources such as computers, motors and fluorescent lights may cause the heart rate reading to be erratic.

If the above troubleshooting section does not remedy the problem, discontinue use and turn the power off.

**CALL CUSTOMER TECH SUPPORT AT THE NUMBER ON THE BACK PANEL.
WHEN YOU ARE NEAR THE EQUIPMENT**

The following information may be asked of you when you call. Please have these items readily available:

- Model Name
- Serial Number
- Date of Purchase (receipt or credit card statement)

In order for Customer Tech Support to service your elliptical they may need to ask detailed questions about the symptoms that are occurring. Some troubleshooting questions that may be asked are:

- How long has this problem been occurring?
- Does this problem occur with every use? With every user?
- If you are hearing a noise, does it come from the front, back or inside? What kind of noise is it (thumping, grinding, squeaking, chirping etc.)?
- If you are having a resistance problem what is occurring? Is the resistance always too hard or too easy? Does the resistance respond when pushing the buttons on the console? Does the resistance constantly cycle through the levels during the workout?
- Has the machine been maintained per the maintenance schedule?
- Does the problem occur when using the handlebars? Without using the handlebars?

Answering these and other questions will give the technicians the ability to send proper replacement parts and the service necessary to get you and your Horizon Fitness elliptical running again!

COMMON PRODUCT QUESTIONS

ARE THE SOUNDS MY ELLIPTICAL MAKES NORMAL?

Our ellipticals are some of the quietest available because they use belt drives and friction free magnetic resistance. We use the highest grade bearings and belts to minimize noise. However, because the resistance system itself is so quiet, you will occasionally hear other slight mechanical noises. Unlike older, louder technologies, there are no fans, friction belts, or alternator noises to mask these sounds on our ellipticals. These mechanical noises, which may or may not be intermittent, are normal and are caused by the transfer of significant amounts of energy to a rapidly spinning flywheel. All bearings, belts and other rotating parts will generate some noise which will transmit through the casing and frame. It is also normal for these sounds to change slightly during a workout and over time because of thermal expansion of the parts.

WHY IS THE ELLIPTICAL I HAD DELIVERED LOUDER THAN THE ONE AT THE STORE?

All fitness products seem quieter in a large store showroom because there is generally more background noise than in your home. Also, there will be less reverberation on a carpeted concrete floor than on a wood overlay floor. Sometimes a heavy rubber mat will help reduce reverberation through the floor. If a fitness product is placed close to a wall, there will be more reflected noise.

HOW LONG WILL THE DRIVE BELT LAST?

The computer modeling we have done indicated virtually thousands of maintenance free hours. Belts are now commonly used in far more demanding applications such as motorcycle drives.

CAN I MOVE THE TRAINER EASILY ONCE IT IS ASSEMBLED?

Your elliptical has a pair of transport wheels built into the front legs. It is easy to move your elliptical by rolling it on the front transport wheels. It is important that you place your elliptical in a comfortable and inviting room. Your elliptical is designed to use minimal floor space. Many people will place their ellipticals facing the TV or a picture window. If at all possible, avoid putting your elliptical in a unfinished basement. To make exercise a desirable daily activity for you, the elliptical should be in a comfortable setting.

CAN I PEDAL BACKWARDS ON MY ELLIPTICAL?

Your elliptical allows you to pedal both forward and backwards to exercise and strengthen a wider range of muscles.

MAINTENANCE

WHAT KIND OF ROUTINE MAINTENANCE IS REQUIRED?

We use sealed bearings throughout our ellipticals so lubrication is not needed. The most important maintenance step is to simply wipe your perspiration off the trainer after each use.

HOW DO I CLEAN MY ELLIPTICAL?

Clean with soap and water cleaners only. Never use solvents on plastic parts.

Cleanliness of your elliptical and its operating environment will keep maintenance problems and service calls to a minimum. For this reason, Horizon Fitness recommends that the following preventive maintenance schedule be followed.

AFTER EACH USE (DAILY)

Turn off the elliptical by unplugging the power cord from the wall outlet

- Wipe down the elliptical with a damp cloth. Never use solvents, as they can cause damage to the elliptical.
- Inspect the power cord. If the power cord is damaged, contact Horizon Fitness.
- Make sure the power cord is not underneath the elliptical or in any other area where it can become pinched or cut.



To remove power from the elliptical, the power cord must be disconnected from the wall outlet.

WEEKLY

Clean underneath the elliptical, following these steps:

- Turn off the elliptical
- Move the elliptical to a remote location.
- Wipe or vacuum any dust particles or other objects that may have accumulated underneath the elliptical.
- Return the elliptical to its previous position.

EVERY MONTH

- Inspect all assembly bolts and pedals on the machine for proper tightness.
- Clean any debris off of the pedal arm wheels and guide rails.

LIMITED HOME-USE WARRANTY

FRAME • LIFETIME

Horizon Fitness warrants the frame against defects in workmanship and materials for the lifetime of the original owner.

EX-22: BRAKE • 7 YEARS

Horizon Fitness warrants the brake against defects in workmanship and materials for the period of seven years of the original owner.

EX-33: BRAKE • 10 YEARS

Horizon Fitness warrants the brake against defects in workmanship and materials for the period of ten years of the original owner.

EX-44: BRAKE • 12 YEARS

Horizon Fitness warrants the brake against defects in workmanship and materials for the period of twelve years of the original owner.

ELECTRONICS & PARTS • 1 YEAR

Horizon Fitness warrants the electronic components and all original parts for a period of one year from the date of original purchase, so long as the device remains in the possession of the original owner.

LABOR • 1 YEAR

Horizon Fitness shall cover the labor cost for the repair of the device for a period of one year from the date of the original purchase, so long as the device remains in the possession of the original owner.

EXCLUSIONS AND LIMITATIONS

Who is covered:

- The original owner and is not transferable.

What IS covered:

- Repair or replacement of a defective motor, electronic component, or defective part and is the sole remedy of the warranty.

What IS NOT covered:

- Normal wear and tear, improper assembly or maintenance, or installation of parts or accessories not originally intended or compatible with the equipment as sold.
- Damage or failure due to accident, abuse, corrosion, discoloration of paint or plastic, neglect, theft, vandalism, fire, flood, wind, lightning, freezing, or other natural disasters of any kind, power reduction, fluctuation or failure from whatever cause, unusual atmospheric conditions, collision, introduction of foreign objects into the covered unit, or modifications that are unauthorized or not recommended by Horizon Fitness.
- Incidental or consequential damages. Horizon Fitness is not responsible or liable for indirect, special or consequential damages, economic loss, loss of property, or profits, loss of enjoyment or use, or other consequential damages of whatsoever nature in connection with the purchase, use, repair or maintenance of the product.
- Equipment used for commercial purposes or any use other than a single family or Household, unless endorsed by Horizon Fitness for coverage.
- Equipment owner or operated outside the US and Canada.
- Delivery, assembly, installation, setup for original or replacement units or labor or other costs associated with removal or replacement of the covered unit.
- Any attempt to repair this equipment creates a risk of injury. Horizon Fitness is not responsible or liable for any damage, loss or liability arising from any personal injury incurred during the course of, or as a result of any repair or attempted repair of your fitness equipment by other than an authorized service technician. All repairs attempted by you on your fitness equipment are undertaken AT YOUR OWN RISK and Horizon Fitness shall have no liability for any injury to the person or property arising from such repairs.

SERVICE/RETURNS

- In-home service is available only within 150 miles of the nearest authorized repair center.
- All returns must be pre-authorized by Horizon Fitness.
- Horizon Fitness' obligation under this warranty is limited to replacing or repairing, at Horizon Fitness' option, the product at one of its authorized service centers.
- A Horizon Fitness authorized service center must receive all products for which a warranty claim is made. These products must be received with all freight and other transportation charges prepaid, accompanied by sufficient proof of purchase.
- Parts and electronic components reconditioned to As New Condition by Horizon Fitness or its vendors may sometimes be supplied as warranty replacement parts and constitute fulfillment of warranty terms.
- This warranty gives you specific legal rights, and your rights may vary from state to state.

CUSTOMER TECH SUPPORT

If you have any questions or comments, you may contact one of our trained customer technicians via phone, email or our website.

Customer Tech Support Hotline: 1-800-244-4192

Email: comments@horizonfitness.com

Website: www.horizonfitness.com

Customer Tech Support hours: Monday - Friday, 8 am - 5 pm CST (excluding holidays)

NOTE: *Please read the TROUBLESHOOTING section before contacting Customer Tech Support.*

DO NOT return the product to the store.



Designed for life.™

800 Burton Blvd
DeForest, WI 53532
Tel: 1.800.244.4192
Fax: 608.842.1660