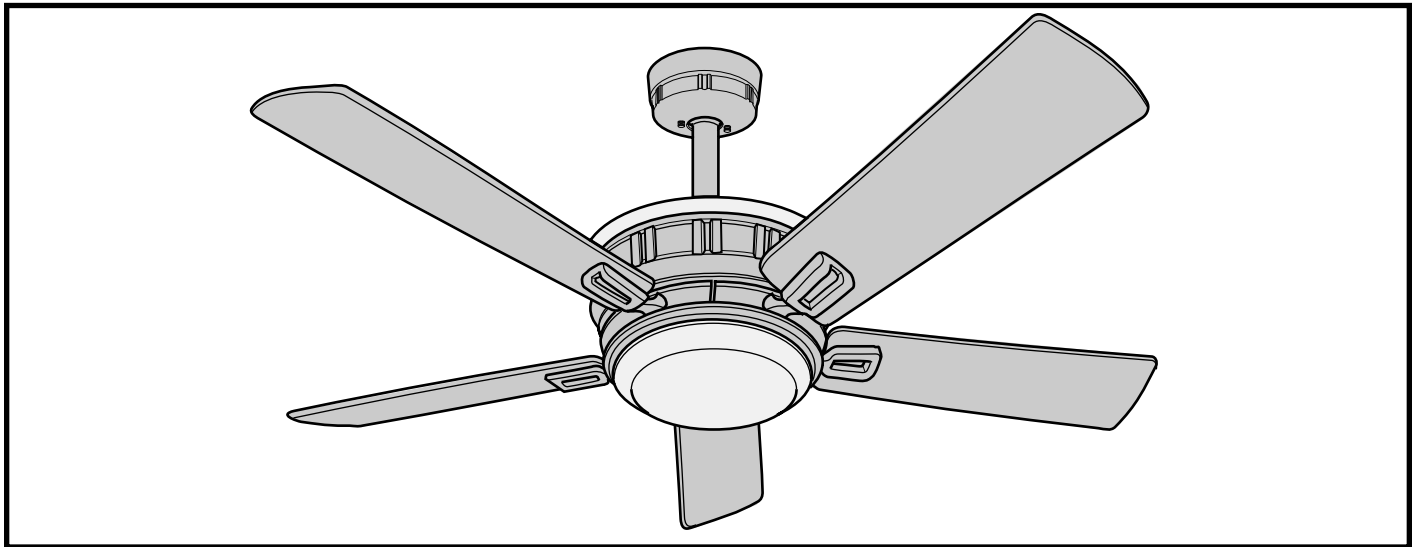


READ AND SAVE THESE INSTRUCTIONS



EMERSON™



PORTLAND™

54" Ceiling Fan Owner's Manual

Model Numbers

CF965BS00 - Brushed Steel

CF965VNB00 - Venetian Bronze

Net Weight: **25.9** Lbs.



Questions, problems, missing parts: Before returning to the store call
Emerson Electric Customer Service
8 a.m. - 6 p.m., Eastern, Monday-Friday

1-800-654-3545

www.emersonfans.com

Table of Contents

Section	Page	Section	Page
Safety Instructions	2	11. Using Your Ceiling Fan	25
1. Unpacking Instructions	3-4	12. Maintenance	26
2. Electrical Requirements	4	13. Accessories	26
3. Ceiling Fan Assembly	5-10	14. Instruction to the User	26
4. How to Hang Your Ceiling Fan	11-12	15. Trouble Shooting	27
5. How to Wire Your Ceiling Fan	13-15	16. Repair Parts	28-29
6. Installation of Downlight	16-17	Ceiling Fan Limited Warranty	31
7. Optional AL100 Accent Light Installation	18	Spanish	33
8. Wall Control Procedures	19	French	65
9. Wall Control Installation	20-23		
10. Programming the Receiver Operating Frequency & High Speed Conditioning of Fan Control	24		

READ AND SAVE THESE INSTRUCTIONS

Safety Instructions

WARNING

TO REDUCE THE RISK OF FIRE, ELECTRICAL SHOCK, OR INJURY TO PERSONS, OBSERVE THE FOLLOWING:

- Use this unit only in a manner intended by the manufacturer. If you have questions, contact the manufacturer.
- Before servicing or cleaning unit, switch power off at service panel and lock service panel disconnecting means to prevent power from being switched on accidentally. When the service disconnecting means cannot be locked, securely fasten a warning device, such as a tag, to the service panel.

- Read your owner's manual carefully and keep it for future reference.
- Be careful with the fan and blades when cleaning, painting, or working near the fan. Always turn off the power to the ceiling fan before servicing.
- Do not put anything into the fan blades while they are turning.

Additional Safety Instructions for Installation

- To avoid possible shock, be sure electricity is turned off at the fuse box before wiring, and do not operate fan without blades.
- All wiring must be in accordance with the National Electrical Code "ANSI/NFPA 70-2014" and Local Electrical Codes. Use the National Electrical Code if Local Codes do not exist. The ceiling fan must be grounded as a precaution against possible electrical shock. Electrical installation should be made or approved by a licensed electrician.

- The outlet box and joist must be securely mounted and capable of reliably supporting at least 50 pounds. Use only U.L. outlet boxes listed as "Acceptable for Fan Support of 22.7 kg. (50 lbs.) or less", and use the mounting screws provided with the outlet box. Most outlet boxes commonly used for support of light fixtures are not acceptable for fan support and may need to be replaced. Consult a qualified electrician if in doubt.
- The fan must be mounted with the fan blades at least 7 feet from the floor to prevent accidental contact with the fan blades.
- Follow the recommended instructions for the proper method of wiring your ceiling fan. If you do not know enough about electrical wiring, have your fan installed by a licensed electrician.

WARNING: To reduce the risk of electrical shock, this fan must be installed with an isolating wall control/ switch.

NOTE: This fan is suitable for use with solid-state speed controls.

WARNING: To reduce the risk of fire or electrical shock, this fan should only be used with fan speed control, Model No. FR-7861LMA-02, manufactured by Rhine Electric Co., Ltd.

WARNING: This product is designed to use only those parts supplied with this product and/or any accessories designated specifically for use this product by Emerson Electric Co. Substitution of parts or accessories not designated for use with this product by Emerson could result in personal injury or property damage.

WARNING: To reduce the risk of personal injury, do not bend the blade flange when installing the blade flanges, balancing the blades or cleaning the fan. Do not insert foreign objects in between rotating fan blades.

NOTE: All setscrews must be checked and re-tightened where necessary before installation.

DATE CODE: _____

The date code of this fan may be found on the box, stamped in ink on a white label. You should record this data above and keep it in a safe place for future use.

1. Unpacking Instructions

⚠ WARNING

Do not install or use fan if any part is damaged or missing. Call Toll-Free for replacement parts:

1-800-654-3545

⚠ WARNING

This product is designed to use only those parts supplied with this product and/or any accessories designated specifically for use with this product by Emerson Electric Co. Substitution of parts or accessories not designated for use with this product by Emerson Electric Co. could result in personal injury or property damage.

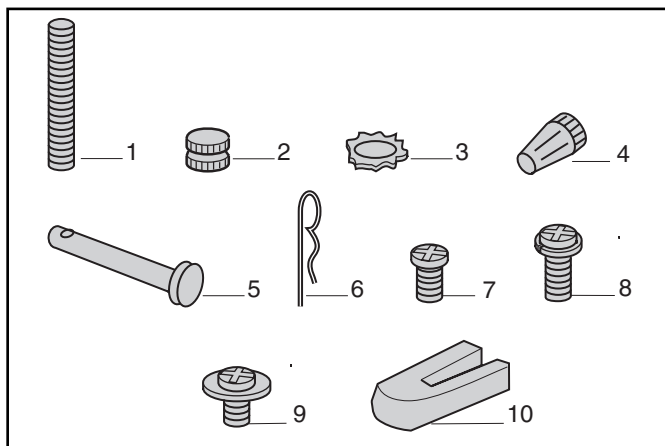
1.1

Check to see that you have received the following parts:

NOTE: If you are uncertain of part description, refer to exploded view illustration below.

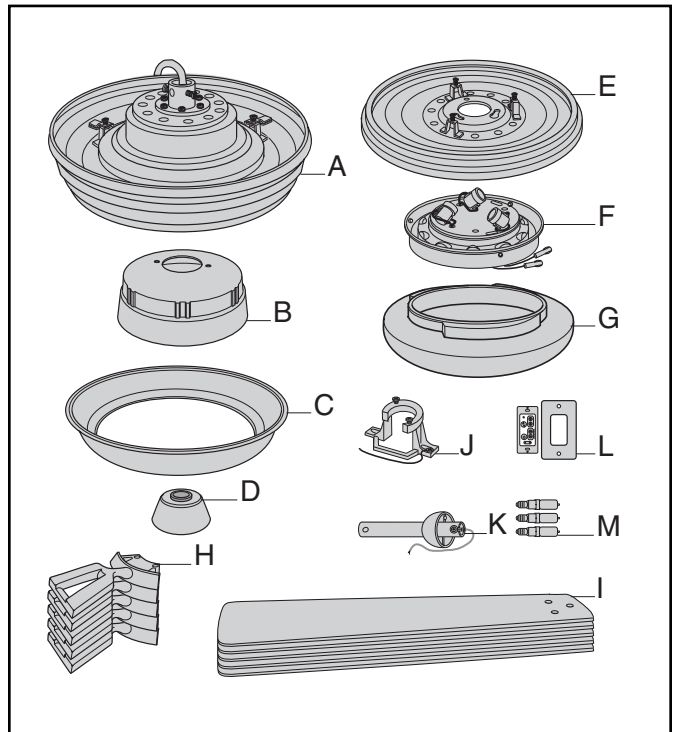
HARDWARE BAG CONTENTS

Part	Description	Quantity
1	Threaded Studs, #8-32 x 1-1/4"	2
2	Knurled Knobs, #8-32	2
3	Lockwashers, External Tooth #8	2
4	Wire Connectors	3
5	Clevis Pin	1
6	Hairpin Clip	1
7	#8-32 x 1.25" Slotted Phillips Head Screw (spare)	1
8	1/4"-20 x 1/2" Slotted Phillips Head Screws w/Lockwashers	11
9	#10-32 x 1/4" Slotted Phillips Washer Head Blade Screws	16
10	Blade Balance Kit	1



PACKAGE CONTENTS

Part	Description	Quantity
A	Fan Motor Assembly	1
B	Ceiling Canopy	1
C	Upper Glass Shade	1
D	Motor Coupler Cover	1
E	Light Kit Cover	1
F	Light Kit Assembly	1
G	Lower Glass Shade	1
H	Fan Blade Flanges	5
I	Fan Blades	5
J	Hanger Bracket	1
K	Hanger Ball/4.5" Downrod Assembly	1
L	SW605 Wall Control w/Hardware	1
M	50-Watt Mini-Halogen Base Lamps	3



NOTE: Place the parts from the loose parts bags in a small container to keep them from being lost. If any parts are missing, call 1-800-654-3545 for replacement parts before proceeding.

1.2

Remove the fan assembly from the protective plastic bag. Place the fan assembly into the upper styrofoam with the bottom of the motor facing up.

The upper styrofoam serves as a holder for the fan during the first stages of assembly.

1. Unpacking Instructions (Continued)

This Manual Is Designed to Make it as Easy as Possible for You to Assemble, Install, Operate and Maintain Your Ceiling Fan

Tools Needed for Assembly

One Phillips head screwdriver One stepladder
One 1/4" blade screwdriver One wire stripper

Materials

Wiring outlet box and box connectors must be of type required by the local code. The minimum wire would be a 3-conductor (2-wire with ground) of following size:

<u>Installed Wire Length</u>	<u>Wire Size A.W.G.</u>
Up to 50 ft.	14
50-100 ft.	12

WARNING

Before assembling your ceiling fan, refer to section on proper method of wiring your fan (page 13). If you feel you do not have enough wiring knowledge or experience, have your fan installed by a licensed electrician.

Your Emerson ceiling fan comes supplied with a Fan/Light Remote Control which consists of a receiver mounted inside the ceiling cover of the fan motor housing. This system allows you to regulate your ceiling fan speed and light ON/OFF.

2. Electrical Requirements

Your new ceiling fan will require a grounded electrical supply line of 120 volts AC, 60 Hz, 15 amp circuit.

WARNING

To reduce the risk of fire, electric shock, or personal injury, mount fan to outlet box marked "Acceptable for Fan Support of 22.7 kg. (50 lbs.) or less", and use screws supplied with outlet box. Most outlet boxes commonly used for support of light fixtures are not acceptable for fan support and may need to be replaced. Consult a qualified electrician if in doubt.

WARNING

Turning off wall switch is not sufficient. To avoid possible electrical shock, be sure electricity is turned off at the main fuse box before wiring. All wiring must be in accordance with National and Local codes and the ceiling fan must be properly grounded as a precaution against possible electrical shock.

The outlet box must be securely anchored and capable of withstanding a load of at least 50 pounds.

If your fan is to replace an existing ceiling light fixture, turn electricity off at the main fuse box at this time and remove the existing light fixture.

WARNING

To avoid fire or shock, follow all wiring instructions carefully.

Any electrical work not described in these instructions should be done or approved by a licensed electrician.

Please call Emerson technical support at 1-800-654-3545 if you have any questions about installation and operation of this ceiling fan.

3. Ceiling Fan Assembly

3.1

Disconnect electrical power to the branch circuit at the circuit breaker or fuse box before attempting to install the ceiling fan mounting plate on the outlet box.

WARNING

Turning off wall switch is not sufficient. To avoid possible electrical shock, be sure electricity is turned off at the main fuse box before wiring. All wiring must be in accordance with National and Local codes and the ceiling fan must be properly grounded as a precaution against possible electrical shock.

3.2

Remove the shipping spacers and the spacer attachment screws from the motor before installation of blade assemblies (Figure 1).

Discard the spacers and spacer screws.

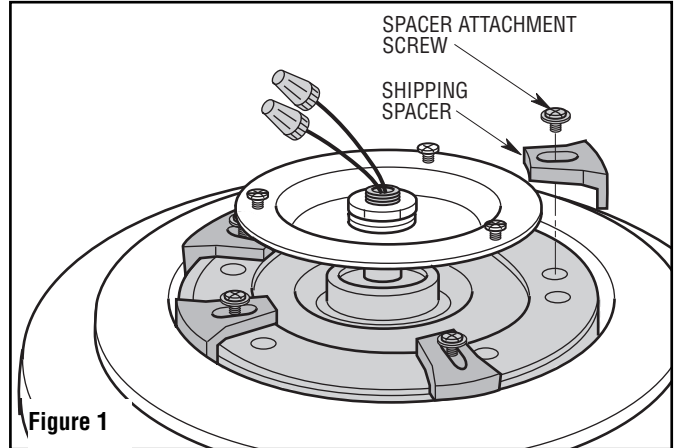


Figure 1

3.3

Mount blade flanges to fan blades using three #10-32 x 1/4" slotted phillips washer head screws (supplied) (Figure 2).

Repeat this procedure for other four fan blades and blade flanges.

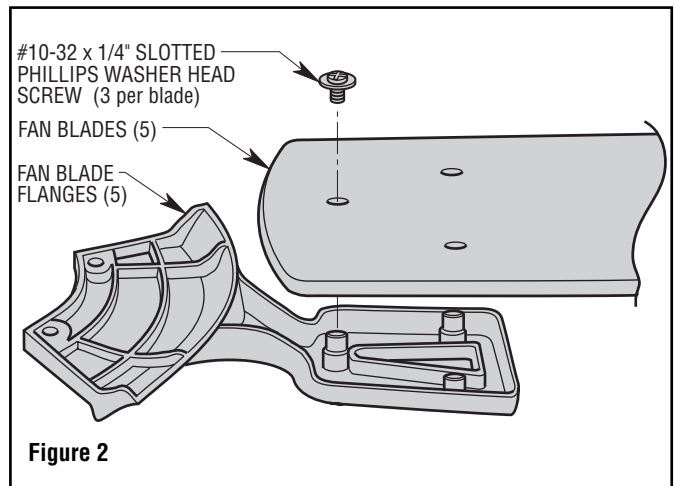


Figure 2

3. Ceiling Fan Assembly (Continued)

3.4

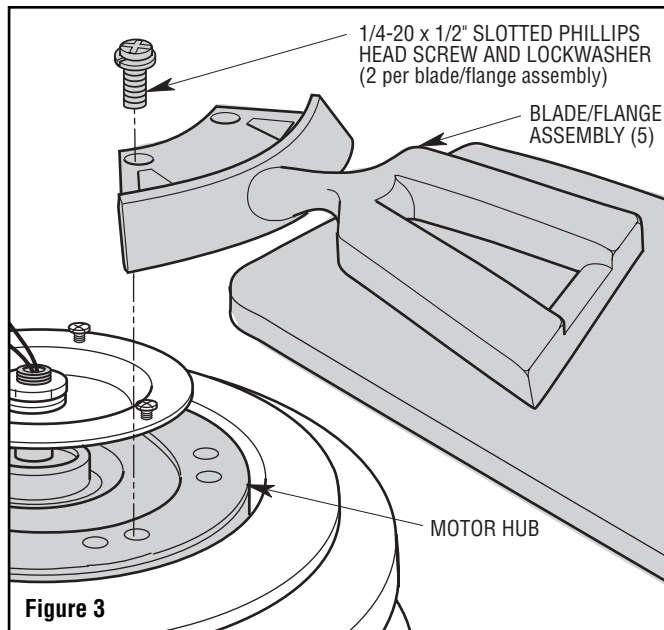
Loosely attach one blade/flange assembly to the motor hub by securing the two 1/4-20 x 1/2" slotted phillips head screws with lockwashers. Make sure the screws are **NOT** tightened (Figure 3). Repeat this procedure for other four blade/flange assemblies.

3.5

Once all five blade/flange assemblies are secured to the motor hub, proceed to tightening all 1/4-20 x 1/2" slotted phillips head screws with lockwashers at this time.

WARNING

To reduce the risk of personal injury, do not bend the blade flange when installing the blade flanges, balancing the blades or cleaning the fan. Do not insert foreign objects in between rotating fan blades.



3.6

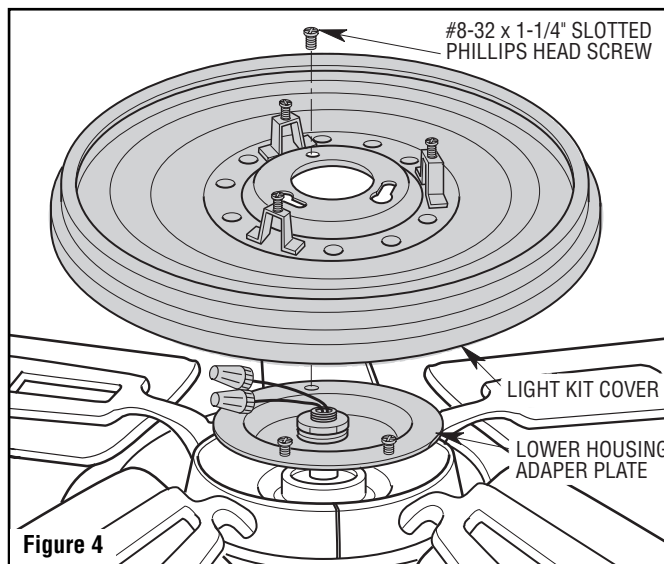
Remove one #8-32 x 1-1/4" slotted phillips head screw from the lower housing adapter plate (reserve for later use). Loosen the other two screws to assemble the light kit cover to the lower housing adapter plate (Figure 4).

3.7

Rotate the light kit cover to engage the two loosened screws in the two key hole slots. Replace the #8-32 x 1-1/4" slotted phillips head screw (removed previously) and tighten all three screws to secure the light kit cover to the lower housing adapter plate (Figure 4).

NOTE: Make sure wires are not pinched between light kit cover and the lower housing adapter plate.

Spare #8-32 x 1-1/4" slotted phillips head screw is provided in parts bag if needed.

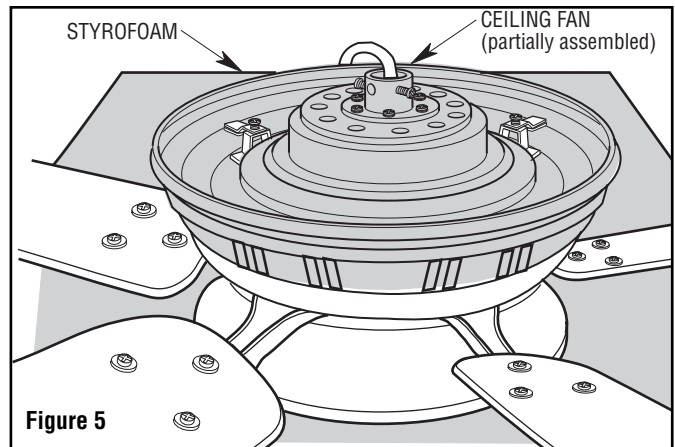


3. Ceiling Fan Assembly (Continued)

3.8

Carefully turn the partially assembled ceiling fan over and place it on the styrofoam for final preparation (Figure 5).

NOTE: Be extra careful not to bend the ceiling fan blades while turning the fan over onto the styrofoam.



NOTE: If using a longer accessory downrod, discard the supplied 4.5" downrod and install the longer downrod (sold separately) using the following instructions.

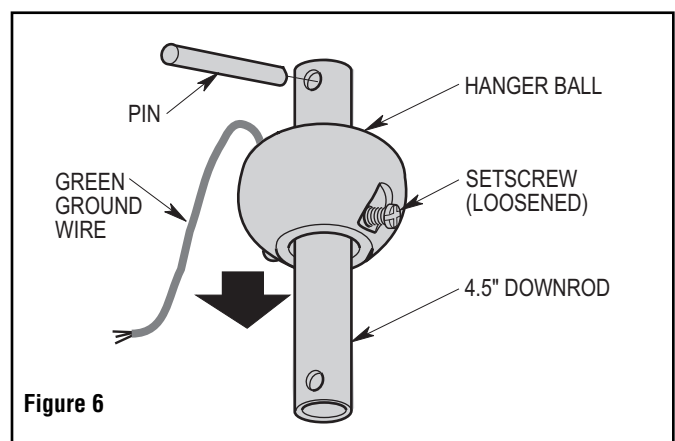
3.9

Remove the hanger ball by loosening the setscrew in the hanger ball until the ball falls freely down the downrod (Figure 6).

Remove the pin from the downrod, then remove the hanger ball.

Retain the pin and hanger ball for reinstallation in Step 3.15.

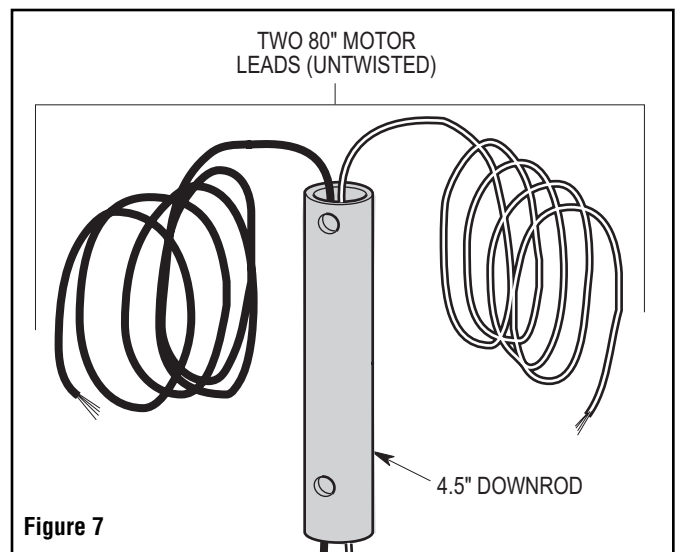
NOTE: Do not loosen the screw holding the green ground wire.



3.10

Separate, untwist and unkink the two 80" motor leads.

Route the 80" black and white motor leads through the downrod (Figure 7).



3. Ceiling Fan Assembly (Continued)

3.11

Loosen the two setscrews in the motor coupling.

Place the 4.5" downrod into the motor coupling, aligning the clevis pin holes in the downrod with the holes in the motor coupling (Figure 8).

The clevis pin must go through the holes in the motor coupling and the holes in the downrod.

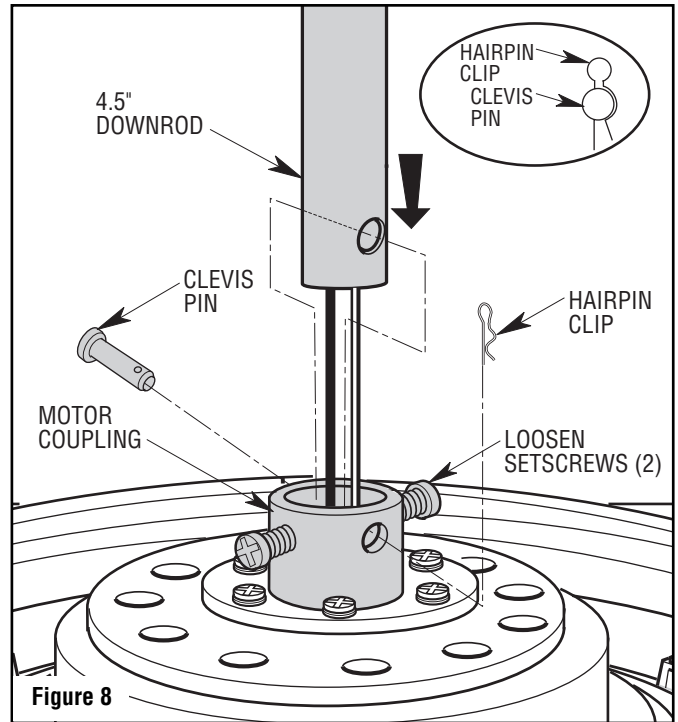
Be sure to push the straight leg of the hairpin clip through the hole near the end of the clevis pin until the curved portion of the hairpin clip snaps around the clevis pin.

The hairpin clip must be properly installed to prevent the clevis pin from working loose.

Pull on the downrod to make sure the clevis pin is properly installed.

WARNING

It is critical that the clevis pin in the motor coupling is properly installed. Failure to verify that the pin is properly installed could result in the fan falling.



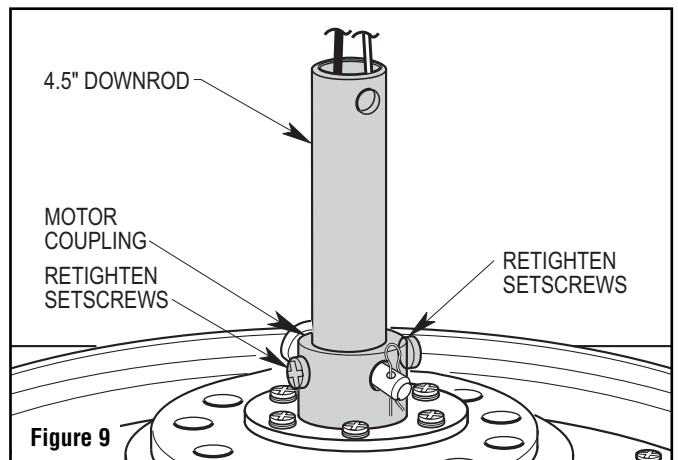
3.12

While pulling up on the 4.5" downrod, retighten the two setscrews (previously loosened) in the motor coupling to secure the downrod into place (Figure 9).

NOTE: The setscrews must be properly installed as described above, or fan wobble could result.

WARNING

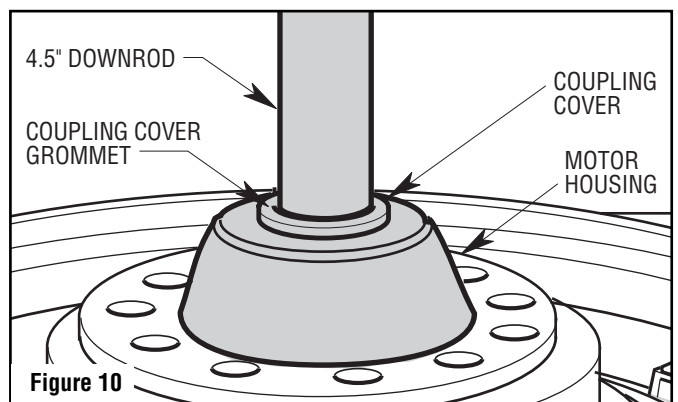
It is critical that the setscrews are securely tightened. Failure to verify that the setscrews are properly installed could result in the fan falling.



3.13

Make sure the grommet is properly installed in the coupling cover then slide the coupling cover on the downrod until it rests on the motor housing (Figure 10).

Be sure the motor coupler cover is oriented correctly.



3. Ceiling Fan Assembly (Continued)

3.14

Place the ceiling cover over the downrod.

Be sure the ceiling cover is oriented correctly (Figure 11).

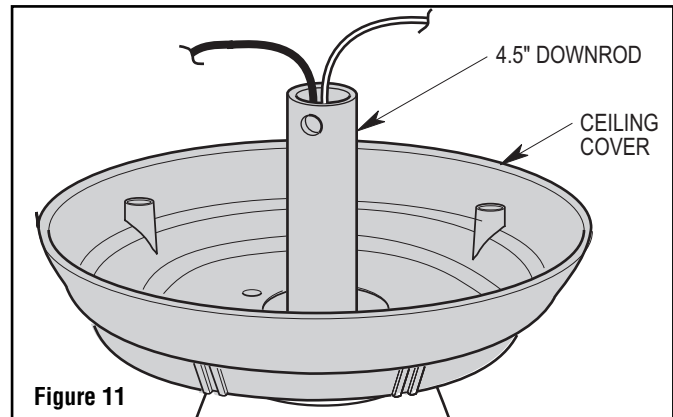


Figure 11

3.15

Route the two 80" motor leads through the hanger ball.

Reinstall the hanger ball (Figure 12) on the downrod as follows:

Position the hanger ball pin through the two holes in the downrod and align the ball so the pin is captured in the groove in the top of the hanger ball.

Pull the hanger ball up tight against the pin and securely tighten the setscrew in the hanger ball.

NOTE: A loose setscrew could create fan wobble.

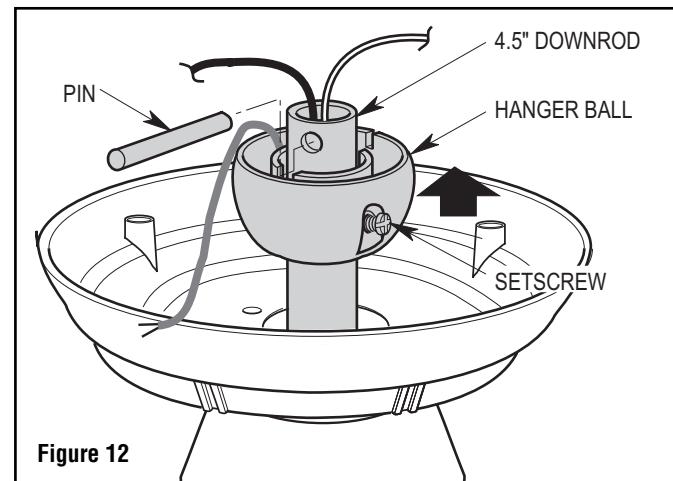


Figure 12

WARNING

It is critical that the pin in the hanger ball is properly installed and the setscrew securely tightened. Failure to verify that the pin and setscrew are properly installed could result in the fan falling.

3.16

The fan comes with black and white leads that are 80-inches long.

Before installing the fan, measure up approximately 6 to 9-inches above top of hanger ball/downrod assembly (Figure 13).

Cut off excess leads and strip back insulation 1/2-inch from end of leads.

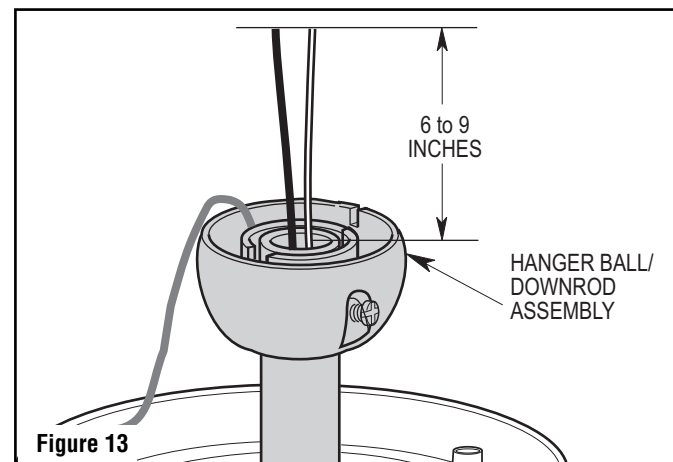


Figure 13

If installing the Optional AL100 Accent Light, Skip to Section 7.

3. Ceiling Fan Assembly (Continued)

3.17

Carefully place the upper glass onto the motor housing (Figure 14).

3.18

Rotate the four lower housing clamps over the inner edge of the upper glass.

Be sure to keep the rubber pad beneath each clamp to ensure proper clamping.

Tighten the four lower housing screws to secure the assembly (Figure 14).

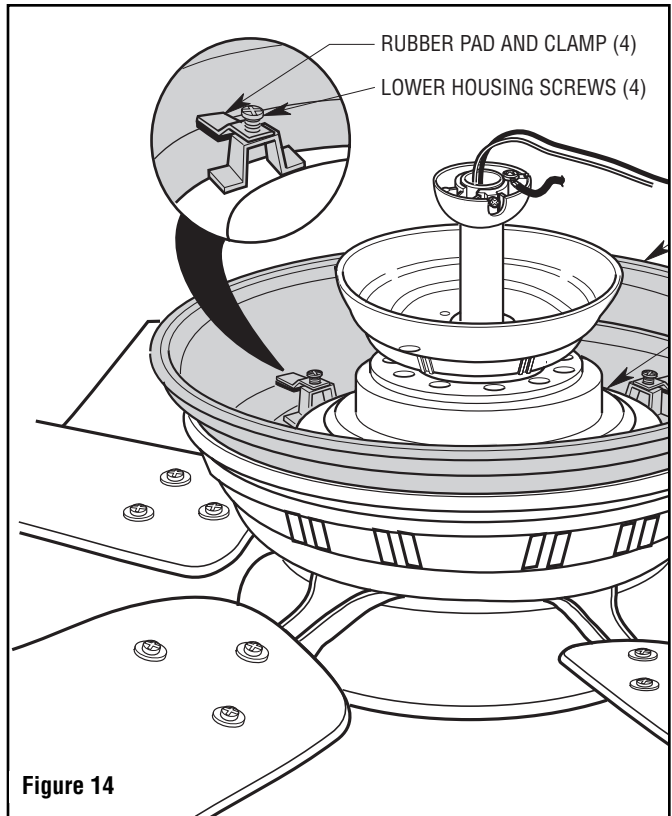
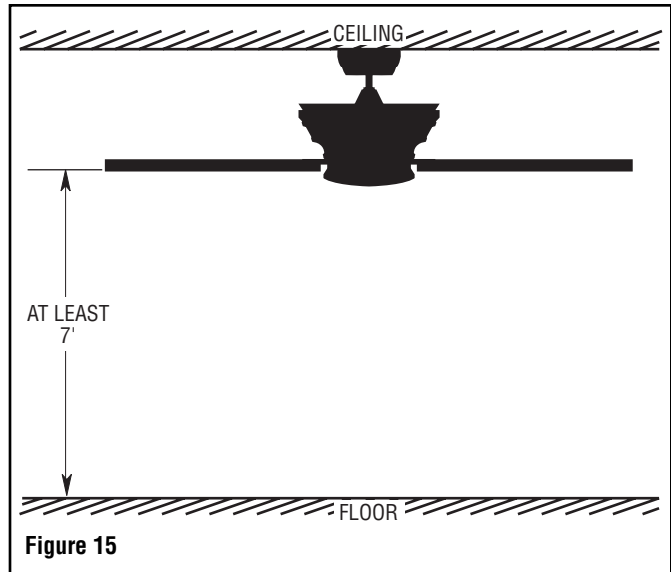


Figure 14

4. How to Hang Your Ceiling Fan

⚠ WARNING

The fan must be hung with at least 7' of clearance from floor to blades (Figure 15).

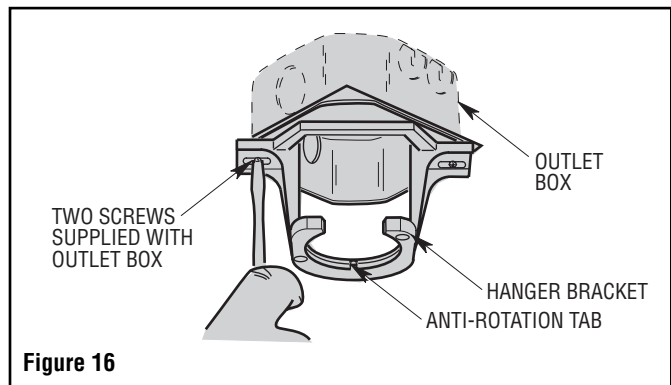


⚠ WARNING

The outlet box and joist must be securely mounted and capable of supporting at least 50 lbs. Use only a U.L. outlet box listed as “Acceptable for Fan Support of 22.7 kg. (50 lbs.) or less”.

⚠ WARNING

To reduce the risk of fire, electric shock, or personal injury, mount fan to outlet box marked “Acceptable for Fan Support of 22.7 kg. (50 lbs.) or less”, and use screws supplied with outlet box. Most outlet boxes commonly used for support of light fixtures are not acceptable for fan support and may need to be replaced. Consult a qualified electrician if in doubt.



4.1

Securely attach the hanger bracket to the outlet box using the two screws supplied with the outlet box (Figure 16).

⚠ WARNING

Hanger bracket must seat firmly against outlet box. If the outlet box is recessed, remove wall board until bracket contacts box. If bracket and/or outlet box are not securely attached, the fan could wobble or fall.

4. How to Hang Your Ceiling Fan (Continued)

4.2

Carefully lift the fan and seat the hanger ball/downrod assembly on the hanger bracket that was just attached to the outlet box (Figure 17).

Be sure the groove in the ball is engaged with the anti-rotation tab on the hanger bracket (Figure 17).

WARNING

Failure to seat tab in groove could cause damage to electrical wires and possible shock or fire hazard.

WARNING

To avoid possible fire or shock, do not pinch wires between the hanger ball/downrod assembly and hanger bracket.

NOTE: CEILING COVER, SUPPLY WIRES AND FAN WIRES OMITTED FOR CLARITY.

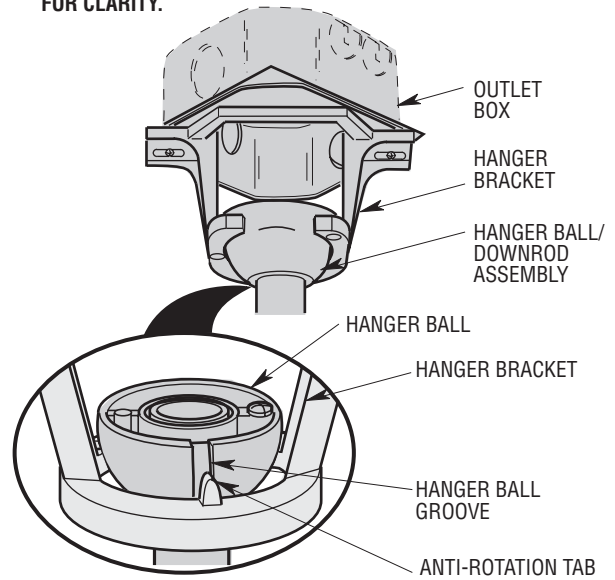


Figure 17

5. How to Wire Your Ceiling Fan

If you feel that you do not have enough electrical wiring knowledge or experience, have your fan installed by a licensed electrician.

WARNING

To avoid possible electrical shock, be sure electricity is turned off at the main fuse box before wiring.

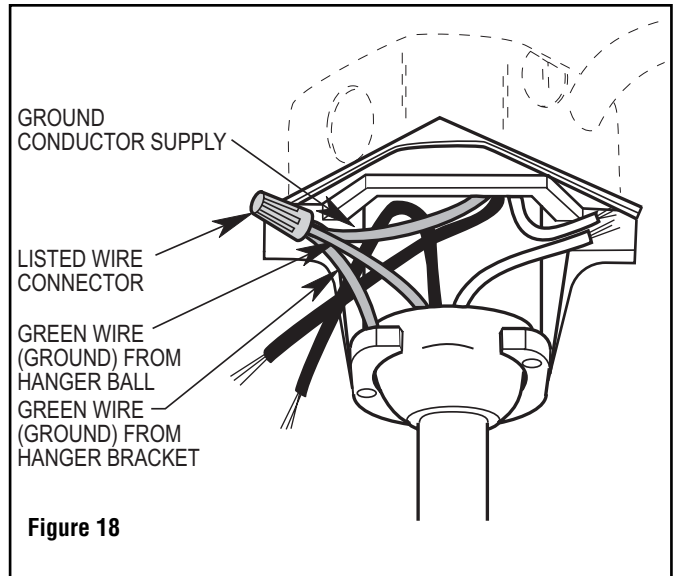
NOTE: If you are not sure if the outlet box is grounded, contact a licensed electrician for advice, as it must be grounded for safe operation.

5.1

Connect the green grounding lead from the hanger ball and the green grounding lead from the hanger bracket to the grounding conductor of supply (this may be a bare wire or wire with green colored insulation). Securely connect wires with wire connectors (supplied) (Figure 18).

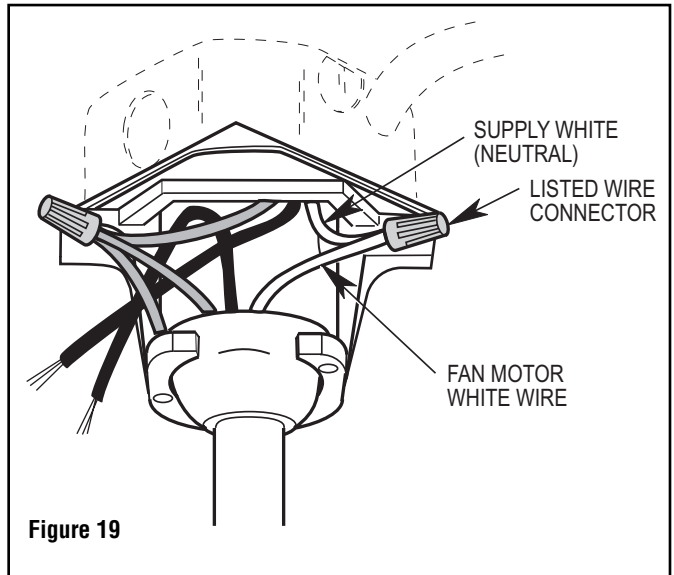
WARNING

This product is designed to use only those parts supplied with this product and/or any accessories designated specifically for use with this product by Emerson Electric Co. Substitution of parts or accessories not designated for use with this product by Emerson Electric Co. could result in personal injury or property damage.



5.2

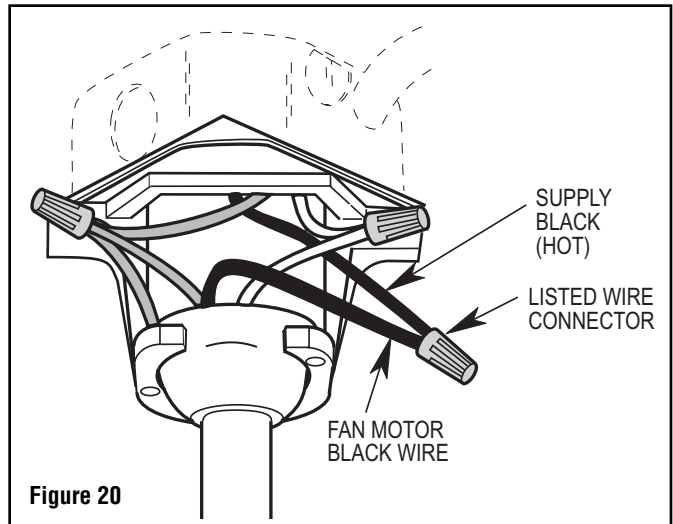
Securely connect the fan motor white wire to the supply white (neutral) wire using wire connector (supplied) (Figure 19).



5. How to Wire Your Ceiling Fan (Continued)

5.3

Securely connect the fan motor black wire to the supply black (hot) wire using wire connector (supplied) (Figure 20).

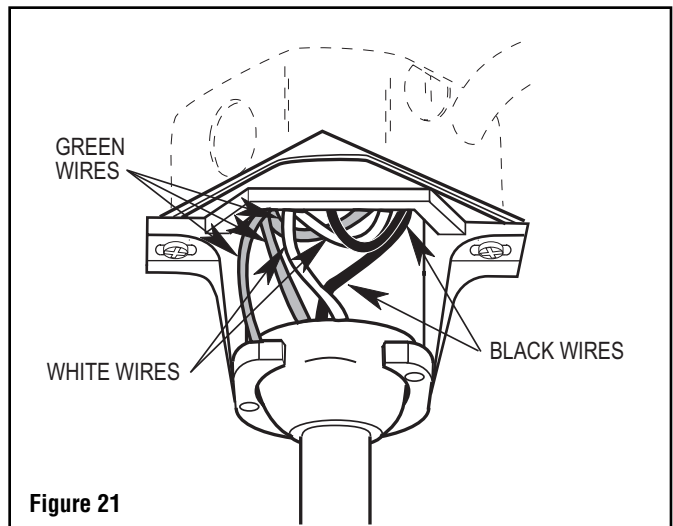


5.4

After connections have been made, turn leads upward and carefully push leads into the outlet box, with the white and green leads on one side of the outlet box and position the black lead on the other side of the outlet box (Figure 21).

WARNING

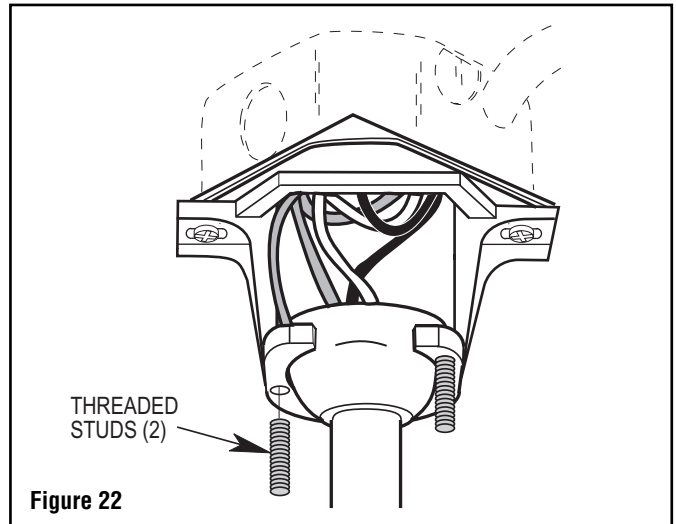
Check to see that all connections are tight, including ground, and that no bare wire is visible at the wire connectors, except for the ground wire. Do not operate fan until blades are in place. Noise and fan damage could result.



5. How to Wire Your Ceiling Fan (Continued)

5.5

Screw the two threaded studs (supplied) into the tapped holes in the hanger bracket (Figure 22).



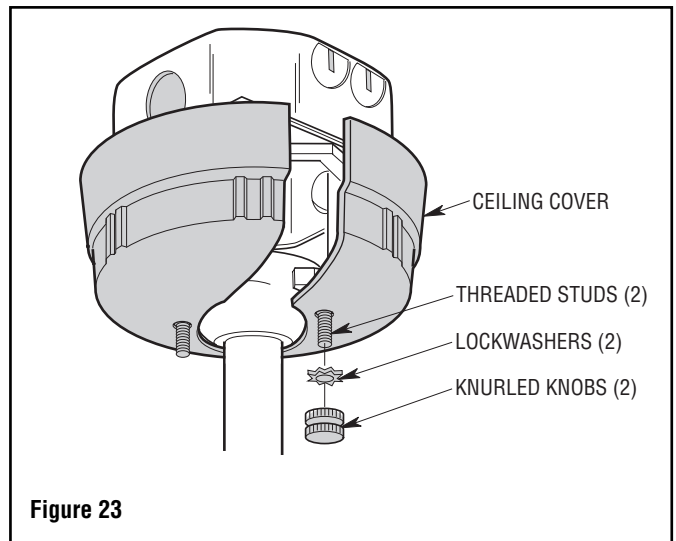
5.6

Lift the ceiling cover up to the threaded studs and turn until studs protrude through the holes in the ceiling cover (Figure 23).

5.7

Secure the ceiling cover in place by sliding lockwashers over the threaded studs and installing the two knurled knobs (supplied). (Figure 23).

Tighten the knurled knobs securely until the ceiling cover fits snugly against the ceiling and the hole in the ceiling cover is clear of the downrod.



WARNING

To avoid possible fire or shock, make sure that the electrical wires are completely inside the outlet box and not pinched between the ceiling cover and the ceiling.

6. Installation of Downlight

6.1

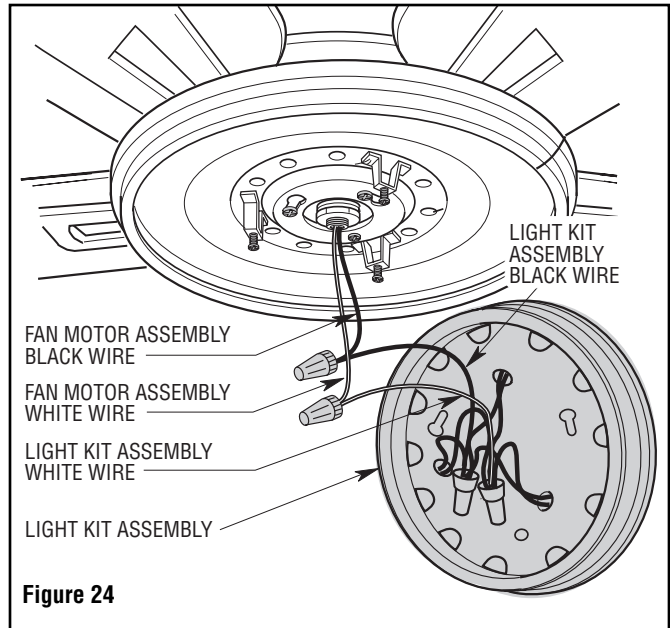
Remove the pre-installed wire nut from the fan motor assembly white wire. Carefully straighten the white wire strands. Pair the light kit assembly white wire with the motor assembly white wire and install the previously removed wire nut (Figure 24).

6.2

Remove the pre-installed wire nut from the fan motor assembly black wire. Carefully straighten the black wire strands. Pair the light kit assembly black wire with the motor assembly black wire and install the previously removed wire nut (Figure 24).

WARNING

Check to see that all connections are tight and that no bare wire is visible at the wire connectors.



6.3

Remove one of the three #8-32 x 1-1/4" slotted phillips head screws from the light kit cover (Figure 25). Retain the screw for future installation. Loosen the other two screws several turns.

6.4

Carefully tuck all the wires under the light kit assembly prior to installing the light kit assembly onto the light kit cover.

6.5

Install the light kit assembly onto the light kit cover by aligning and engage the radial slots of the light kit with the loosened screw heads on the cover.

6.6

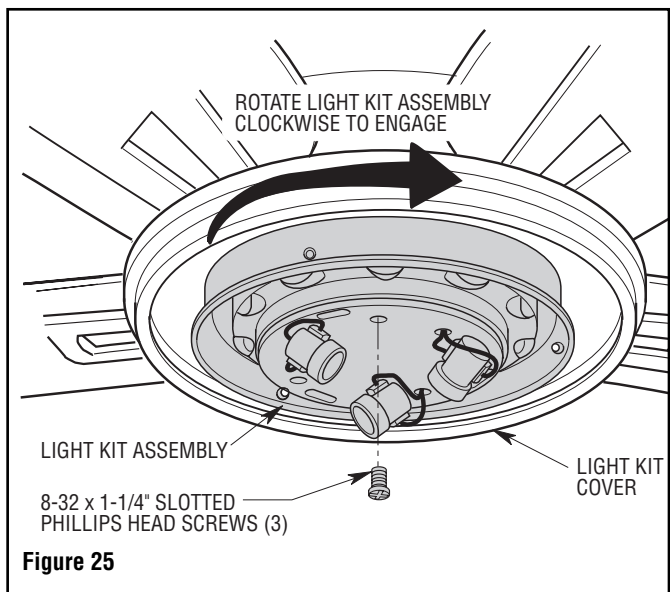
Rotate the light kit assembly to engage the two loosened screws.

6.7

With the light kit locked into position, tighten the two previously loosened screws

6.8

Reinstall the #8-32 x 1-1/4" slotted phillips head screw (previously removed) into the light kit assembly to complete installation of the light kit.



WARNING

To avoid possible fire or shock, do not pinch wires between the light kit assembly and the light kit cover.

Spare #8-32 x 1-1/4" slotted phillips head screw is provided in parts bag if needed.

6. Installation of Downlight (Continued)

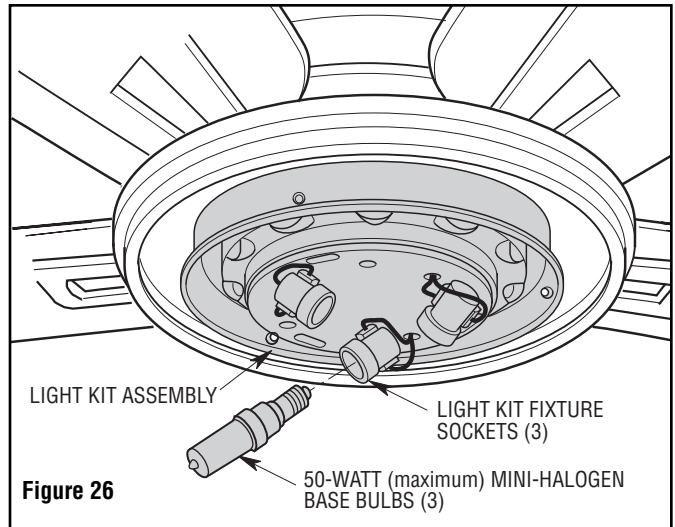
WARNING

To avoid risk of burns or other injuries, turn power off and allow lamp to fully cool before attempting to replace the mini-halogen base bulbs.

6.9

Screw the three 50-watt (maximum) mini-halogen base bulbs (supplied) in the light kit fixture sockets (Figure 26).

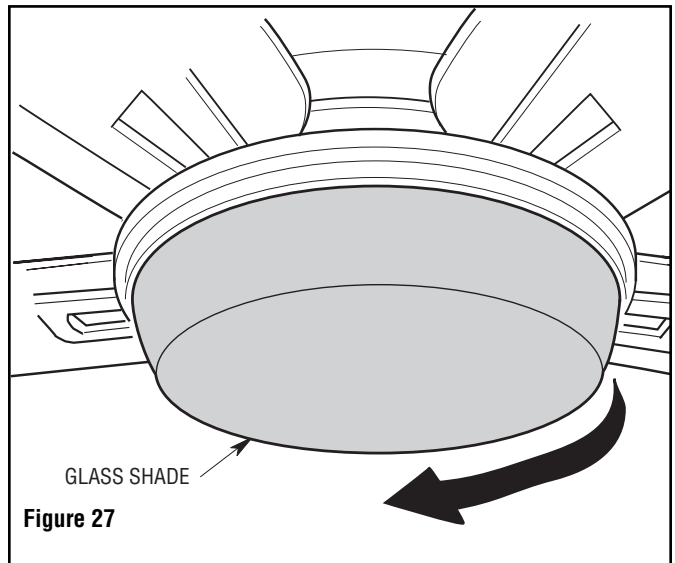
NOTE: Do not touch the halogen mini-halogen base bulbs with bare hands. Fingerprints may result in shorter bulb life. Remove fingerprints with rubbing alcohol.



6.10

Place the glass shade into the opening in the light kit assembly, aligning the three flat areas on the top edge of the glass with the three raised dimples on the light kit assembly and turn the glass shade clockwise until it is fully seated (Figure 27).

NOTE: Periodically check that the glass shade is seated fully clockwise in the light kit assembly.



7. Optional AL100 Accent Light Installation

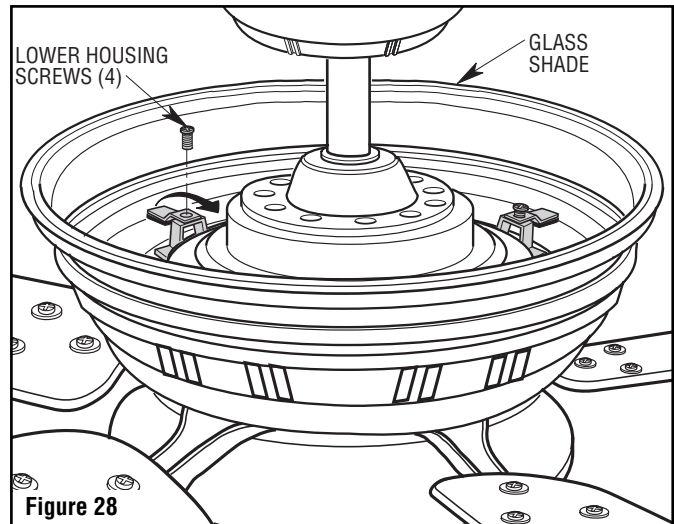
CAUTION: To reduce the risk of electrical shock, disconnect the electrical supply circuit before installing the accent light kit.

7.1

Loosen and remove all three pre-installed AL100 mounting screws from the upper housing of the motor assembly (Figure 28). Retain the screws for re-installation.

WARNING

Turning off wall switch is not sufficient. To avoid possible electrical shock, be sure electricity is turned off at the main fuse or circuit breaker box before wiring. All wiring must be in accordance with National and Local codes and the ceiling fan must be properly grounded as a precaution against possible electrical shock.



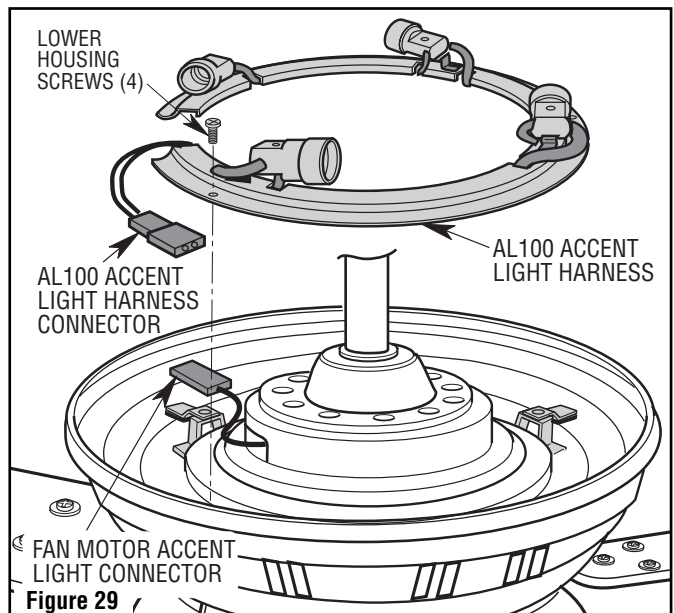
7.2

CAUTION: To reduce the risk of electric shock, disconnect the electrical supply circuit to the fan before installing light kit assembly.

Position the AL100 accent light so that the opening of the AL100 accent light slides through the downrod. Align the mounting holes of the AL100 accent light to the motor assembly (Figure 29).

NOTE: Be sure the AL100 accent light connector is located close to the motor assembly connector for ease of installation.

Install the AL100 accent light to the motor assembly using three AL100 accent light mounting screws previously removed on Step 7.1.

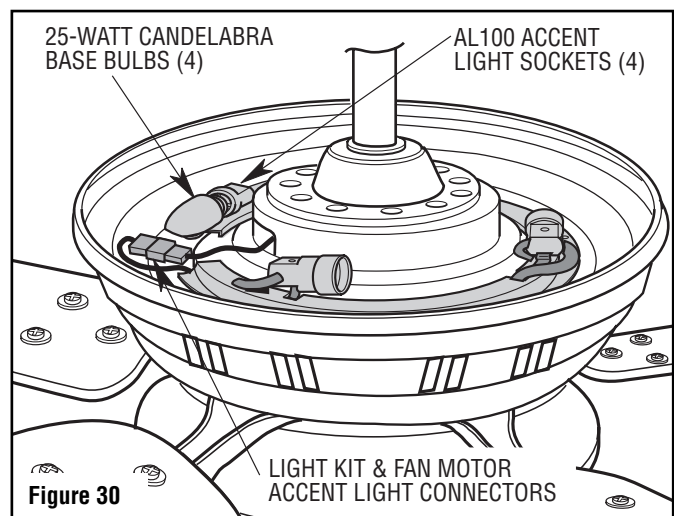


7.3

Securely connect the AL100 accent light connector to the motor assembly connector (Figure 30).

Screw the four 25-watt candelabra base bulbs into the AL100 accent light sockets (Figure 30).

Return to Section 3.17 and complete the remaining installation instructions.



8. Wall Control Procedures

8.1

Your Emerson Ceiling Fan/Light Control consists of SW605 wall mounted transmitter and a receiver located inside the motor assembly. The control is designed to remotely operate your ceiling fan speed, light intensity and direction of rotation.

Code switches in the transmitter may be set in 32 different positions. If your fan and light turn on and off without using your control, you may be getting interference from other remote units such as garage door openers, car alarms or security systems. To remedy this situations, simply change the code switches in your transmitter per the instructions of Section 10.

8.2

Your SW605 wall control has code switches which must be set in one of 32 possible code combinations (Figure 31). The five levers (numbered 1, 2, 3, 4, and 5) on the switches are factory-set in the ON (up) position. Change the switch settings as follows:

NOTE: Do not duplicate the code of an existing control of an installed ceiling fan within 100 feet.

8.3

Slide the five switch levers in the SW605 wall control to your choice of ON (up) or down positions. Use a ball-point pen or small screwdriver and slide the levers firmly up or down.

8.4

The sixth switch marked ON and I is for dimming control of lights: Set switch to ON to allow for dimming of the lights. Set switch to I for no dimming of the lights such as for fluorescent bulbs and non-dimming CFLs.

8.5

Preset Memory Feature: Your Emerson ceiling fan/light control is equipped with a preset memory feature. When the electricity supply to the fan is switched OFF, the control will remember the light intensity and fan speed. When the switch is turned back ON, the light and fan will resume operation as they were prior to the switch being turned OFF.

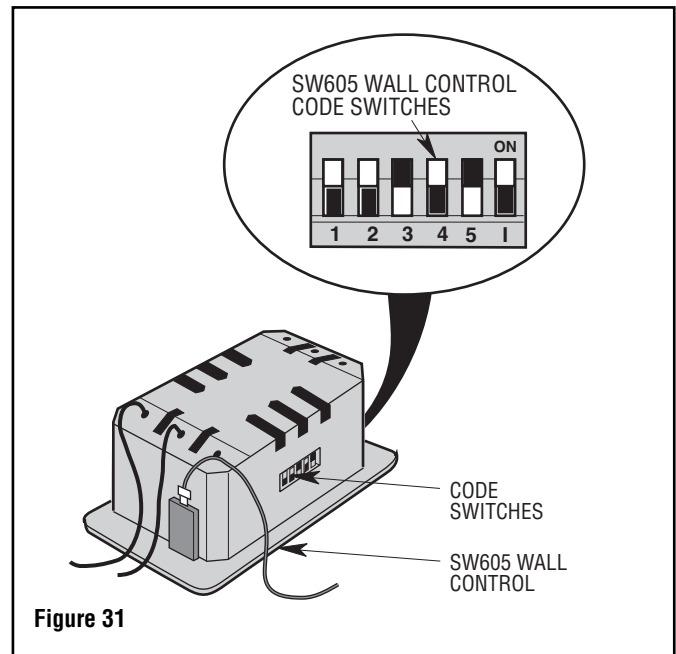


Figure 31

9. Wall Control Installation

SINGLE-POLE INSTALLATION

CAUTION: To reduce the risk of electrical shock, disconnect the electrical supply circuit before installing the fan, light kit or receiver.

NOTE: Make all wiring connections using wire connectors (supplied). Make sure that all connections are tight, including ground, and that no bare wire is visible at the wire connectors, except for the ground wire.

9.1

Disconnect electrical power to the branch circuit at the circuit breaker or fuse box before attempting to install the ceiling fan SW605 wall control into the outlet box.

9.2

Remove faceplate and screws from existing wall control. Pull control out from the wall box. Determine the “hot” wire and the “load” wire and disconnect these wires from control (Figure 32). Do not attempt to disconnect any wires not already connected to existing control.



WARNING

Turning off wall switch is not sufficient. To avoid possible electrical shock, be sure electricity is turned off at the main fuse or circuit breaker box before wiring. All wiring must be in accordance with National and Local codes and the ceiling fan must be properly grounded as a precaution against possible electrical shock.

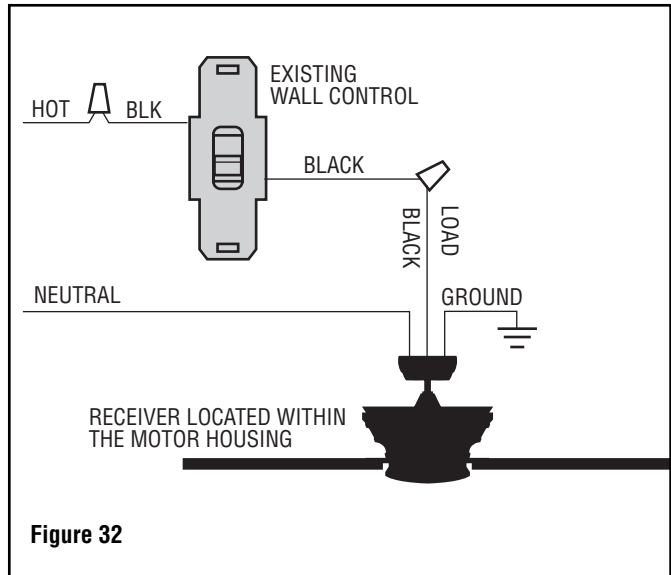


Figure 32

9. Wall Control Installation (Continued)

9.3

Before installing the SW605 wall control, place the SW605 wall control in "OFF" mode by pushing "ON/OFF" switch to the "OFF" position.

9.4

Connect one black wire of the SW605 wall control to the "hot" wire. Securely connect wires with wire connectors supplied (Figure 33).

9.5

Connect one black wire of wall switch to the "load" (black) wire in wall box. Securely connect wires with wire connector supplied.

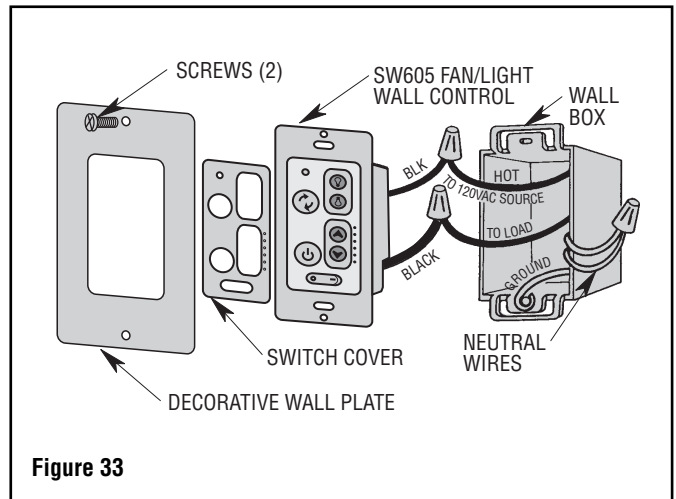


Figure 33

⚠ WARNING

Do not connect any neutral (white) wire to this control. Incorrect wiring will damage this control.

9.6

Screw the SW605 wall control into wall box using the supplied screws. Leave the SW605 wall control in "OFF" mode until fan installation is completed.

⚠ WARNING

Check to see that all connections are tight and that no bare wires are visible at the wire connectors.

9.7

The SW605 wall control is supplied with a white, ivory, and almond color switch covers. Choose the finish that best suits your needs and snap the cover onto the SW605 wall control (Figure 33).

9.8

Install decorator wall plate using the two screws provided with wall plate. Leave the SW605 wall control in "OFF" mode until fan installation is completed (Figure 33).

9. Wall Control Installation (Continued)

3-WAY INSTALLATION

(One fan controlled by two different SW605 wall controls) (See Figures 33 and 34.)

⚠ WARNING

Turning off wall switch is not sufficient. To avoid possible electrical shock, be sure electricity is turned off at the main fuse or circuit breaker box before wiring. All wiring must be in accordance with National and Local codes and the ceiling fan must be properly grounded as a precaution against possible electrical shock.

9.9

Disconnect electrical power to the branch circuit at the circuit breaker or fuse box before attempting to install the ceiling fan SW605 wall control into the outlet box.

⚠ WARNING

Do not connect any neutral (white) wire to this control. Incorrect wiring will damage this control.

9.10

At all wall box locations remove faceplates and screws from existing controls. Pull controls out from wall boxes and determine which wall box contains the “hot” lead and which wall box contains the “load” wire. Also, identify traveler wires which are common to both wall boxes. Disconnect wires from existing controls only. Do not attempt to disconnect any wires not already connected to existing controls.

9.11

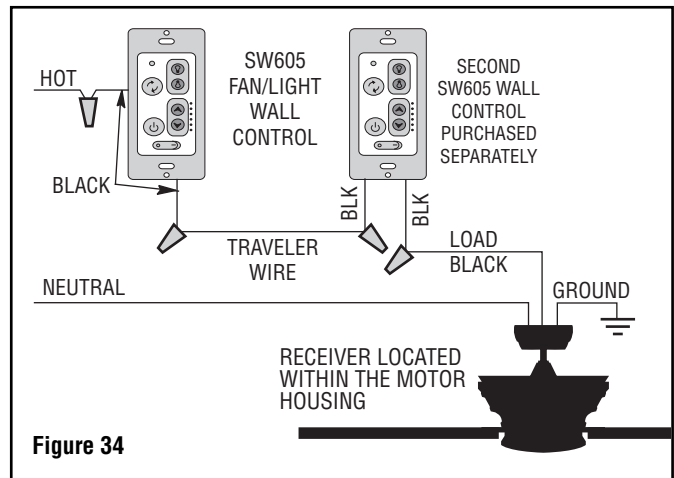
Before installing the SW605 wall control, place the SW605 wall control in “OFF” mode by pushing “ON/OFF” switch to the “OFF” position.

9.12

Install a SW605 wall control in the wall box containing the “hot” wire first. Connect the black wire of the SW605 wall control to the “hot” wire. Securely connect the wires with wire connectors supplied.

9.13

Connect the other black wire of the SW605 wall control to both remaining traveler wires in the wall box and secure with wire connector supplied.



9. Wall Control Installation (Continued)

3-WAY WIRING DIAGRAM: NEW CONSTRUCTION

NOTE: Retrofit 3-way installations are likely to include two traveler wires between the two wall boxes. In new construction, only one traveler wire is required (See Figure 35).

WARNING

Check to see that all connections are tight and that no bare wires are visible at the wire connectors.

9.14

Screw the SW605 wall control into wall box using the supplied screws. Leave the SW605 wall control in “OFF” mode until fan installation is completed.

9.15

The SW605 wall control is supplied with a white, ivory, and almond color switch covers. Choose the finish that best suits your needs and snap the cover onto the SW605 wall control (Figure 27).

9.16

Next, install the other SW605 wall control (sold separately) into the wall box containing the load wire. Connect the black wire of the SW605 wall control to the traveler wire(s) already connected to the black wire (in the other wall box). Secure with wire connectors supplied.

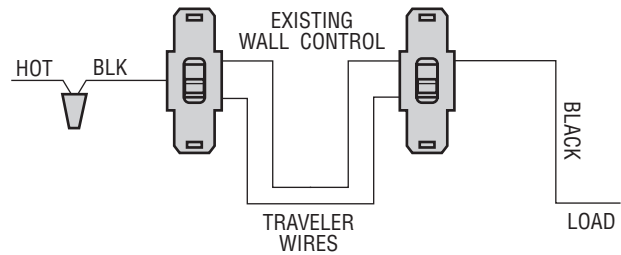
9.17

Connect one black wire of the SW605 wall control to the “load” (black) wire and secure with wire connector supplied.

9.18

Connect one black wire of the SW605 wall control to both remaining traveler wires in the wall box and secure with wire connector supplied.

STANDARD WIRING FOR EXISTING 3-WAY CONTROLS



3-WAY WIRING DIAGRAM: RETROFIT

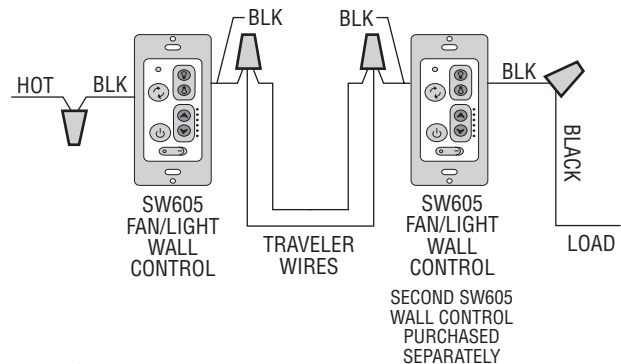


Figure 35

10. Programming the Receiver Operating Frequency & High Speed Conditioning of Fan Control

-- Important - Read This Section Carefully and Follow the High Speed Conditioning Instructions Closely --

PROGRAMMING THE RECEIVER OPERATING FREQUENCY & HIGH SPEED CONDITIONING OF FAN CONTROL

IMPORTANT: Ceiling fan blades **MUST** be installed before high speed conditioning can begin.

10.1

Turn the wall control ON/OFF switch to the "OFF" position.

Restore electricity to the ceiling fan branch circuit at the circuit breaker or fuse box

Flip the SW605 wall control's ON/OFF switch to "ON" position.

Within one minute of flipping the switch to "ON", push and hold the FAN OFF button (⏻) for 3 to 5 seconds to set the code in the receiver. The ceiling fan lights (if installed) will blink to indicate the SW605 wall control code has been paired with the receiver.

IMPORTANT: Immediately after successful pairing, the ceiling fan will automatically begin high speed conditioning of the motor. During conditioning, the electronic motor control software is calculating speeds for the 2nd through 5th speed settings based on the blades that were installed on the fan.

10.2

The fan will run for approximately 2 minutes in the upward direction then reverse direction to down flow and run an additional 2 minutes. When conditioning is complete, the fan will come to complete stop.

IMPORTANT: Do not interrupt the conditioning until the fan comes to a complete stop in approximately 5 minutes. All functions of the control will be rejected during conditioning.

10.3

High speed conditioning is now complete.

10.4

If programming is unsuccessful, retry the above instructions after cycling the SW605 wall control ON/OFF switch to restart the 1 minute programming time period.

10.5

If still unsuccessful, shut off the electricity at the fuse box or breaker panel and change the SW605 wall control frequency (page 16). After changing the frequency settings, repeat instructions 1 - 5 of this section within one minute of restoring the electricity.

11. Using Your Ceiling Fan

USING YOUR CEILING FAN (Figure 36)

Your SW605 wall control has full control of your fan and light.

NOTE: Prior to operation of the fan and light from the wall control, set the fan speed to HIGH (....) and turn the light ON (💡).

11.1

To set the desired fan speed, press the (⏴) button to decrease the speed and the (⏵) to increase the speed. The LED display will light up to indicate the new speed selected.

11.2

To turn the downlight on, press and release the (💡) button. The light will turn on at the light intensity previously selected. To change the intensity hold the button down. The intensity will go up and down while the button is held. Release the button at the desired intensity.

11.3

To turn the uplight on, press and release the (💡) button. The light will turn on at the light intensity previously selected. The intensity will go up and down while the button is held. Release the button at the desired intensity.

11.4

Your SW605 wall control comes complete with your choice of three wall cover plates; ivory, white and light almond.

11.5

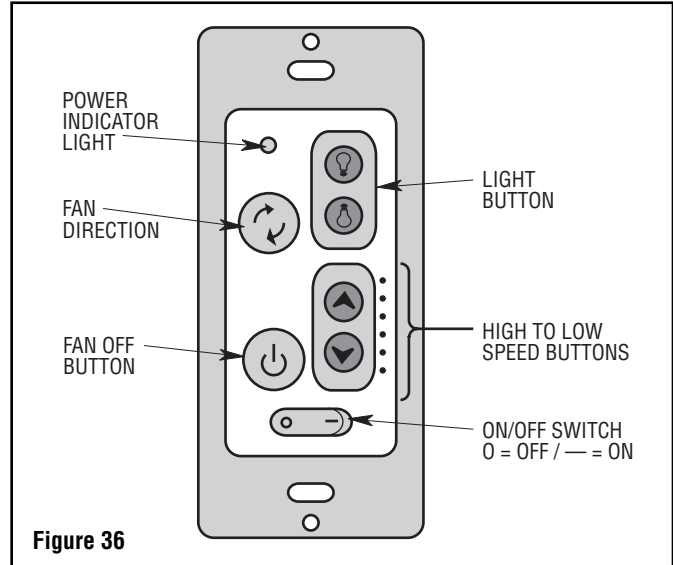
If airflow is desired in the opposite direction, press the (↻) button on the SW605 wall control. The fan must be operating at any speed for the reverse button to function. The blades will turn in the opposite direction and reverse the airflow.

11.6

Your fan is now wired to be turned on and off from the fan switch.

⚠ WARNING

Fan installation must be completed, including the installation of the fan blades, before testing the SW605 wall control.



12. Maintenance

IMPORTANT CARE INSTRUCTIONS for your Ceiling Fan

Periodic cleaning of your new ceiling fan is the only maintenance that is needed.

When cleaning, use only a soft brush or lint free cloth to avoid scratching the finish.

Abrasive cleaning agents are not required and should be avoided to prevent damage to finish.

WARNING

Do not use water when cleaning your ceiling fan. It could damage the motor or the blades and create the possibility of an electrical shock.

13. Accessories

Ceiling Fan/Light Controls (see store or catalog).

Downrod Extension Kits (see store or catalog).

WARNING

The use of any other control not specifically approved for this fan could result in fire, shock and personal injury.

WARNING

This product is designed to use only those parts supplied with this product and/or any accessories designated specifically for use with this product by Emerson Electric Co. Substitution of parts or accessories not designated for use with this product by Emerson Electric Co. could result in personal injury or property damage.

14. Instruction to the User (if device contains a digital device)

This equipment has been tested and found to comply with the limits for a class B digital device, pursuant to part 15 of the FCC Rules. These limits are designed to provide reasonable protection against harmful interference in a residential installation. This equipment generates, uses and can radiate radio frequency energy and if not installed and used in accordance with the instructions, may cause harmful interference to radio communications. However, there is no guarantee that interference will not occur in a particular installation. If this equipment does cause harmful interference to radio or television reception, which can be determined by turning the equipment off and on, the user is encouraged to try to correct the interference by one or more of the following measures:

- Reorient or relocate the receiving antenna.
- Increase the separation between the equipment and receiver.
- Connect the equipment into an outlet on a circuit different from that to which the receiver is connected.
- Consult the dealer or an experienced radio/TV technician for help.

This equipment has been certified to comply with the limits for a class B computing device, pursuant to FCC Rules. In order to maintain compliance with FCC regulations, shielded cables must be used with this equipment. Operation with non-approved equipment or unshielded cables is likely to result in interference to radio and TV reception. The user is cautioned that changes and modifications made to the equipment without the approval of manufacturer could void the user's authority to operate this equipment.

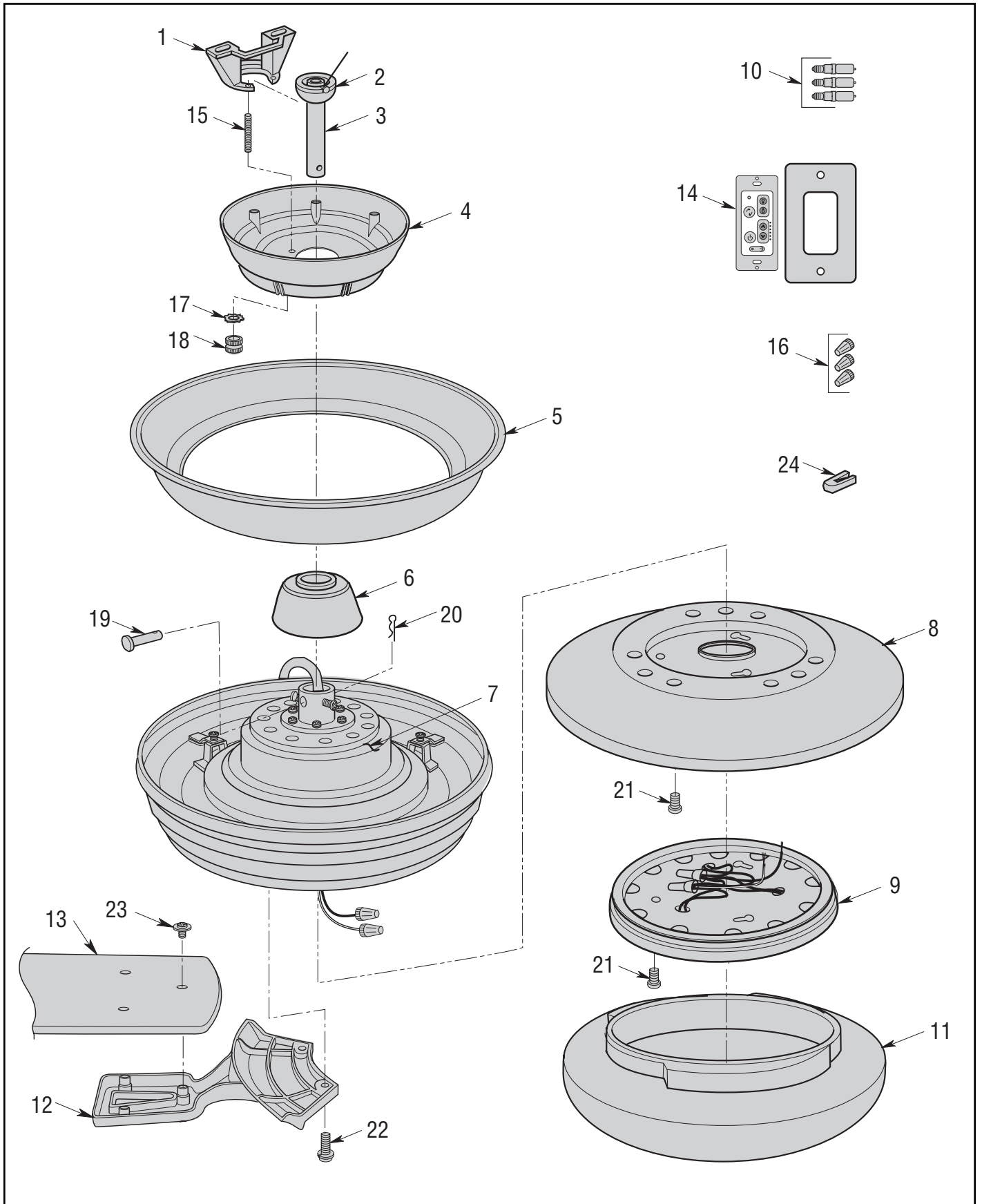
This Class B digital apparatus meets all requirements of the
Canadian Interference-Causing Equipment Regulations.

15. Trouble Shooting

⚠ WARNING: FOR YOUR OWN SAFETY TURN OFF POWER AT FUSE BOX OR CIRCUIT BREAKER BEFORE TROUBLE SHOOTING YOUR FAN.

TROUBLE	PROBABLE CAUSE	SUGGESTED REMEDY
1. Fan will not start.	<ol style="list-style-type: none"> 1. Fuse or circuit breaker blown. 2. Loose electrical connections to the fan. 	<ol style="list-style-type: none"> 1. Check main and branch circuit fuses or circuit breakers. 2. Check all wire connections on the fan. <p>⚠ WARNING: Make sure main power is turned OFF.</p>
2. Fan sounds noisy.	<ol style="list-style-type: none"> 1. Blades are not tightly fastened to the fan. 2. Loose screws in fan motor. 3. Light fixture connectors are rattling inside the light kit housing adapter. 	<ol style="list-style-type: none"> 1. Check all blade screws for tightness. 2. Check to make sure all screws in fan motor are snug (not over-tight). 3. Reposition the connectors and carefully reassemble the cover <p>⚠ WARNING: Make sure main power is turned OFF.</p>
3. Fan wobbles excessively.	<ol style="list-style-type: none"> 1. Blades are not tightly fastened to the fan. 2. Fan blades out of balance. 	<ol style="list-style-type: none"> 1. Check all blade screws for tightness. <p>⚠ WARNING: Make sure main power is turned OFF.</p> <ol style="list-style-type: none"> 2. Interchange an adjacent (side-by-side) blade pair to redistribute the weight. Locate the supplied blade balancing kit and follow the included instructions.
4. Lamp will not illuminate.	<ol style="list-style-type: none"> 1. Loose electrical connectors. 2. The lamp is burnt out. 3. Lamp turns on and then turns off. 	<ol style="list-style-type: none"> 1. Shut off the branch circuit electricity at the fuse box or breaker. panel and check the receiver electrical connectors for proper installation. 2. Turn the electricity off and replace the lamp with a new 50W maximum lamp. 3. The built-in circuit breaker is tripping. Check that the lamp is 50W maximum. <p>CAUTION: Turn the lights off before touching halogen lamps, they are very hot and can burn your fingers.</p>

16. Repair Parts



16. Repair Parts Listing

Key No.	Description	Model Numbers	
		CF965BS00	CF965VNB00
*	Hanger Ball Assembly, Consisting of:	761655-17	761655-89
1	Hanger Bracket (1)	—	—
2	Hanger Ball (1)	—	—
3	4.5" Downrod Assembly (1)	—	—
4	Ceiling Canopy (1)	764603-BS	764603-VNB
5	Upper Glass Shade (1)	764607-OM	764607-OM
6	Motor Coupler Cover (1)	764604-BS	764604-VNB
7	Control Receiver DC Motor (1)	764087-1	764087-1
8	Light Kit Cover (1)	764615-BS	764615-VNB
9	Light Kit Assembly (1)	764682-WW	764682-WW
10	50W Mini-Halogen Base Bulbs (3)	—	—
11	Lower Glass Shade (1)	764618-OM	764618-OM
12	Fan Blade Flanges (5)	764611-BS	764611-VNB
13	Fan Blades (5)	764613-DM/WA	764613-DM/WA
14	SW605 Wall Control w/Hardware (1)	SW605	SW605
*	Parts Bag Containing:	764619-CRM	764619-BLOX
15	Threaded Studs, #8-32 x 1-1/4" (2)	—	—
16	Knurled Knobs, #8-32 (2)	—	—
17	Lockwashers, #8 External Tooth (2)	—	—
18	Wire Connectors (3)	—	—
19	Clevis Pin (1)	—	—
20	Hairpin Clip (1)	—	—
21	#8-32 x 1.25" Slotted Phillips Head Screws (spare) (1)	—	—
22	1/4"-20 x 1/2" Slotted Phillips Head Screws w/Lockwashers (11)	—	—
23	#10-32 x 1/4" Slotted Phillips Washer Head Blade Screws (16)	—	—
24	Balancing Kit (1)	—	—
—	Owner's Manual	BP7498	BP7498

Before discarding packaging material, be certain all parts have been removed.

HOW TO ORDER REPAIR PARTS

WHEN ORDERING REPAIR PARTS, ALWAYS GIVE THE FOLLOWING INFORMATION:

- PART NUMBER
- NAME OF ITEM
- PART DESCRIPTION
- MODEL NUMBER

The model number of your Fan will be found on a label attached to the top housing.

For repair parts, phone 1-800-654-3545.

Notes

Emerson Air Comfort Ceiling Fan Limited Warranty

What The Limited Warranty Covers:

This limited warranty is offered by Air Comfort Products division of Emerson Electric Co. ("Emerson" "we" or "us") located at the address stated below to the original retail purchaser ("you" or "your") of an Emerson Air Comfort Ceiling Fan product ("Emerson Ceiling Fan") and covers the motor and the other components and accessories of the Emerson Ceiling Fan against all defects in workmanship and materials.

What The Period Of Coverage Is:

This limited warranty will cover the Emerson Ceiling Fan motor for the expected lifetime of your Emerson Ceiling Fan (when operated in accordance with your Owner's Manual or other instructions provided by Emerson to you with the Emerson Ceiling Fan). All other components and accessories of the Emerson Ceiling Fan are covered by this limited warranty for a period of one (1) year from its date of original retail purchase. ANY IMPLIED WARRANTY, INCLUDING WITHOUT LIMITATION, ANY IMPLIED WARRANTY OF MERCHANTABILITY OR FITNESS FOR A PARTICULAR PURPOSE THAT IS AVAILABLE TO YOU UNDER THE LAWS OF YOUR STATE OR PROVINCE SHALL COVER THE MOTOR FOR THE EXPECTED LIFETIME OF THE MOTOR (SUBJECT TO PROPER USE), AND FOR ONE YEAR WITH RESPECT TO COMPONENTS AND ACCESSORIES.

No Other Express or Implied Warranty Applies:

THE LIMITED WARRANTIES PROVIDED ABOVE ARE THE SOLE AND EXCLUSIVE WARRANTIES PROVIDED BY EMERSON TO YOU FOR YOUR EMERSON CEILING FAN, AND ARE IN LIEU OF ALL OTHER WARRANTIES, WRITTEN OR ORAL, EXPRESS OR IMPLIED, WHETHER ARISING BY OPERATION OF LAW OR OTHERWISE, WHETHER OR NOT THE PURPOSE HAS BEEN DISCLOSED AND WHETHER OR NOT THE EMERSON CEILING FAN HAS BEEN SPECIFICALLY DESIGNED OR MANUFACTURED FOR YOUR USE OR PURPOSE. EMERSON HEREBY DISCLAIMS ANY AND ALL IMPLIED WARRANTIES, INCLUDING WITHOUT LIMITATION, IMPLIED WARRANTIES OF MERCHANTABILITY OR FITNESS FOR A PARTICULAR PURPOSE FOR COMPONENTS AND ACCESSORIES AS OF THE EXPIRATION OF THE ONE YEAR WARRANTY PERIOD FOR SUCH COMPONENTS AND ACCESSORIES. IMPLIED WARRANTIES OF MERCHANTABILITY OR FITNESS FOR A PARTICULAR PURPOSE FOR THE MOTOR PORTION OF THE EMERSON CEILING FAN ARE LIKEWISE DISCLAIMED BY EMERSON AT SUCH TIME THAT THE EXPECTED LIFETIME OF THE EMERSON CEILING FAN UNDER NORMAL USAGE HAS BEEN REACHED. EXCLUSIONS OR LIMITATIONS OF IMPLIED WARRANTIES MAY VARY FROM STATE TO STATE AND PROVINCE TO PROVINCE SO THE ABOVE LIMITATIONS MAY NOT APPLY TO YOU.

What We Will Do To Correct Problems:

If during the one (1) year warranty period the motor or any component or accessory of your Emerson Ceiling Fan is defective in materials or workmanship, or if during the expected lifetime of the Emerson Ceiling Fan (when used in accordance with the User Manual or other instructions) the motor is defective in materials or workmanship, you must contact Emerson during the applicable warranty period. If the defect is covered by warranty, Emerson will repair or replace the defective motor, component or other accessory at no charge to you. If repair of the motor, component or accessory is not practical or possible within a reasonable time and no replacement Emerson Ceiling Fan can be provided, Emerson will refund to you the actual purchase price of your Emerson Ceiling Fan. We will ship the repaired or the replacement Emerson Ceiling Fan to you at no charge, but you are responsible for all costs of removal and reinstallation of your Emerson Ceiling Fan.

How You Can Receive Warranty Service:

You must be the original retail purchaser and have proof of your purchase of the Emerson Ceiling Fan to obtain your remedy under this limited warranty. You can return your Emerson Ceiling Fan to your place of purchase, or you can call Emerson Customer Service at 1-800-237-6511 to obtain a return authorization and service identification tag. In order for us to confirm that your Emerson Ceiling Fan is still under warranty, please retain your receipt or other proof of purchase and have that information readily available when returning your Emerson Ceiling Fan to your place of purchase, or upon calling Emerson Customer Service. If you call Emerson Customer Service, prior to your call please be prepared to provide all model numbers shown on your Emerson Ceiling Fan. Once we have processed your return authorization request, we will provide you with a postage paid return label which should be affixed to the Emerson Ceiling Fan package you ship to the address listed at the end of this limited warranty. The return label will be sent to the mailing address you provide to us by phone.

What Is Not Covered:

This limited warranty does not extend to and expressly excludes:

- The glass globes and light bulbs of your Emerson Ceiling Fan,
- Loss or damage to the motor or any component or accessory caused by normal wear and tear, rather than due to defects in materials or workmanship,
- Loss or damage resulting from conditions beyond our reasonable control, including without limitation, repairs not made at our factory or authorized service center, use of parts or accessories not provided to you as part of this warranty by our factory or authorized service center, mishandling, unreasonable use, misuse, abuse, modifications or other damage caused by you or a third party to your Emerson Ceiling Fan while not in our possession,
- Loss or damage resulting from improper installation, or other failure to comply with instructions in your Owner's Manual.

This limited warranty is deemed null and void upon the occurrence of either of the following events:

- You cease to own the Emerson Ceiling Fan product, or
- The Emerson Ceiling Fan is moved from its original point of installation.

This limited warranty is only valid within the 50 United States, the District of Columbia, and Canada. No other written or oral warranties apply, and no employee, agent, dealer or other person is authorized to give any warranties on behalf of Air Comfort Products or Emerson Electric Co.

Limitation of Liability

REPAIR, REPLACEMENT OR A REFUND ARE THE EXCLUSIVE REMEDIES AVAILABLE TO YOU UNDER THIS LIMITED WARRANTY. TO THE EXTENT PERMITTED BY LAW, IN NO EVENT SHALL EMERSON OR ANY EMERSON AUTHORIZED DEALER BE LIABLE FOR ANY INCIDENTAL, SPECIAL, INDIRECT, OR CONSEQUENTIAL DAMAGES, INCLUDING ANY ECONOMIC LOSS, WHETHER RESULTING FROM NONPERFORMANCE, USE, MISUSE OR INABILITY TO USE THE EMERSON CEILING FAN OR FOR THE NEGLIGENCE OF EMERSON OR AN EMERSON AUTHORIZED DEALER. EMERSON SHALL NOT BE LIABLE FOR DAMAGES CAUSED BY DELAY IN PERFORMANCE AND IN NO EVENT, REGARDLESS OF THE FORM OF THE CLAIM OR CAUSE OF ACTION (WHETHER BASED IN CONTRACT, INFRINGEMENT, NEGLIGENCE, STRICT LIABILITY, OTHER TORT OR OTHERWISE), SHALL EMERSON'S OR ANY EMERSON AUTHORIZED AGENT'S LIABILITY TO YOU OR ANY INDIVIDUAL USING THE EMERSON CEILING FAN EXCEED THE PRICE PAID BY THE ORIGINAL OWNER FOR THE EMERSON CEILING FAN. The term "consequential damages" shall include, but not be limited to, loss of anticipated profits, business interruption, loss of use or revenue, cost of capital or loss or damage to property or equipment.

How State and Provincial Law Relates To The Warranty:

Some states and provinces do not allow the exclusion or limitation of incidental or consequential damages so the above exclusion or limitation may not apply to you. This limited warranty gives you specific legal rights, and you may also have other rights which vary from state to state or province to province.



EMERSON™

Air Comfort Products

DIVISION OF EMERSON ELECTRIC CO.
8100 W. Florissant • St. Louis, MO 63136

Questions, problems, missing parts: Before returning to the store call
Emerson Electric Customer Service
8 a.m. - 6 p.m., Eastern, Monday-Friday

1-800-654-3545

www.emersonfans.com

Retain this manual for future use.