

ZANUSSI

**INTEGRATED
BUILT-UNDER
REFRIGERATOR**


ZU 8124


OPERATING INSTRUCTIONS


Dear customer,


Before placing your new refrigerator/freezer into operation please read these operating instructions carefully. They contain important information for safe use, for installation and for care of the appliance.

Please keep these operating instructions for future reference. Pass them on to possible new owners of the appliance.

 Notes which are important for your safety or for the proper functioning of the appliance are stressed with a warning triangle and/or with signal words (**Warning!**, **Caution!**, **Attention!**). Please observe the following carefully.

 This symbol guides you step by step in the operation of the appliance.

 Supplementary information regarding operation and practical applications of the appliance appear after this symbol.

 Tips and notes concerning economical and environmentally sound use of the appliance are marked with the cloverleaf.

Explanations of the technical terminology used in the operating instructions can be found at the end in the section "Technical Terminology".

The operating instructions contain instructions for the correction of possible malfunctions by the user in the section "Something not working". If these instructions should not be sufficient, contact your local Service Force Centre.

Content

Important Safety Instructions	4	Maintenance and Cleaning	11
Environmental Information	5	Internal Ceaning	11
Packaging	5	External Cleaning	11
Old Appliances	5	Replace light bulb	12
Before Use	5	Something not Working	12
Packaging	5	Service and Spare Parts	13
Installation	6	Customer Care Department	13
Installation Location	6	Technical Terminology	14
Installation	6	Regulations, Standards, Guidelines	14
Electrical Connection	7	Peace of mind for twenty four month	15
Description of the appliance	7	Standard guarantee conditions	15
View of the appliance	7	Exclusions	15
Prior to Initial Start-Up	8	European Guarantee	15
Initial Use	8		
Switching off the appliance	9		
Food Storage	9		
Fridge Compartment	9		
Freezer Compartment	9		
Preparation of Ice Cubes	10		
Defrosting your Appliance	10		
Fridge	10		
Freezer compartment	10		
Hints and Tips	11		
Normal Operating Sounds	11		
Food Storage	11		
Energy Saving Advice	11		



Important Safety Instructions

These warnings are provided in the interests of your safety. Ensure that you understand them all before installing or using this appliance. Your safety is of paramount importance. If you are unsure about any of the meanings or these warnings contact the Customer Care Department.

Prior to Installation

- Check the refrigerator for transport damage. Under no circumstances should a damaged appliance be installed! In the event of damage, please contact your retailer.

Installation

- This appliance is heavy. Care should be taken when moving it.
- It is dangerous to alter the specifications or attempt to modify this product in any way.
- Ensure that the appliance does not stand on the electrical supply cable. If the supply cable is damaged, it must be replaced by a cable available from your local Service Force Centre.
- Any electrical work required to install this appliance should be carried out by a qualified electrician or competent person.
- Parts which heat up should not be exposed. Whenever possible, the back of the appliance should be close to a wall, but leaving the required distance for ventilation, as stated in the installation instructions.
- The appliance should be left for 2 hours after installation before it is turned on, in order to allow the refrigerant to settle.

Refrigerant

The refrigerant isobutane (R600a) is contained within the refrigerant circuit of the appliance, a natural gas with a high level of environmental compatibility, which is nevertheless flammable.

- During transportation and installation of the appliance, be certain that none of the components of the refrigerant circuit become damaged.
- If the refrigerant circuit should become damaged:
 - avoid open flames and sources of ignition;
 - thoroughly ventilate the room in which the appliance is situated.

Child Safety

- Do not allow children to tamper with the controls or play with the product.

- There is a risk of suffocation! Keep packaging material away from children!

During Use

- This appliance is designed for domestic use only, specifically for the storage of edible foodstuffs only. It is not intended for commercial or industrial use
- Containers with flammable gases or liquids can leak at low temperatures. Do not store any containers with flammable materials such as, spray cans, fire extinguisher refill cartridges etc in the refrigerator.
- Frozen food should not be refrozen once it has thawed out.
- Do not place carbonated or fizzy drinks in the freezer compartment.
- Ice lollies can cause 'frost/freezer burns' if consumed straight from the star compartment.
- Do not remove items from the freezer compartment if your hands are damp/wet, as this could cause skin abrasions or frost/freezer burns.
- Bottles and cans must not be placed in the freezer compartment. They can burst when the contents freeze.
- Manufacturers' recommended storage times should be adhered to. Refer to relevant instructions.

Maintenance and Cleaning

- Before cleaning, always switch off the appliance and disconnect from the electrical supply.
- When unplugging always pull the plug from the mains socket, do not pull on the cable.

Servicing

- This product should be serviced by an authorised engineer and only genuine spare parts should be used.
- Under no circumstances should you attempt to repair the appliance yourself. Repairs carried out by inexperienced persons may cause injury or serious malfunctioning. Contact your local Service Force Centre.

Environmental Information

Packaging

All transit packaging materials are environmentally compatible and can be reused. Wood is untreated. The plastics can be recycled and are identified as follows:

>PE< for polyethylene, e.g. the outer covering and the bags in the interior.

>PS< for polystyrene foam, e.g. the pads, which are pure hydrocarbon compounds and can be recycled.

The carton parts are made from recycled paper. Please dispose of the packaging with due care for the environment.

Old Appliances







When disposing of your old appliance:

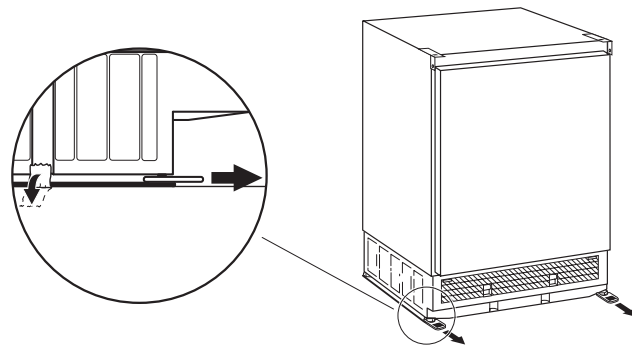
Make the appliance unusable by cutting off the cable and remove any door catches to ensure small children cannot be trapped inside.

Help to keep your country tidy - use an authorised disposal site.

Before Use

Packaging

-  Pull off the adhesive tape on the left and right side of the door.
-  Any remnants of adhesive can be removed with white spirit.
-  Remove all adhesive tape and packaging from the interior of the appliance.
-  Remove the protection from the seal on the inside of the door.
-  Remove the transport protection pieces from the rails and pull off the adhesive tape.
-  Wash the inside of the appliance with lukewarm water with a little bicarbonate of soda added (5 ml to 0.5 litre of water). Do not use soap or detergent as the smell may linger. Dry the appliance thoroughly.



Installation

Installation Location

The appliance should be installed in a well ventilated, dry room.

Energy use is affected by the ambient temperature.

The appliance should therefore

- not be exposed to direct sunlight;
- not be installed next to radiators, cookers or other sources of heat;
- only be installed at a location whose ambient temperature corresponds to the climate classification, for which the appliance is designed.

The climate classification can be found on the serial plate, which is located at the left on the inside of the appliance.

The following table shows which ambient temperature is correct for each climate classification:

Climate classification	for an ambient temperature of
SN	+10 to +32 °C
N	+16 to +32 °C
ST	+18 to +38 °C
T	+18 to +43 °C

If installation next to a source of heat is unavoidable, the following minimum clearances must be maintained at the sides of the appliance:

- for electric cookers 3 cm;
- for oil and coal fired ranges 30 cm.

If these clearances cannot be maintained a heat insulating pad is required between the cooker and the refrigeration appliance.

If the refrigeration appliance is installed next to another refrigerator or freezer a clearance of 5 cm at the sides is required, in order to prevent the formation of condensation on the outside of the appliance.

Installation

See installation instructions supplied.

Please check whether, after installing your appliance and especially after rehingeing the door, the door seal seals right round. An untight door seal may lead to heavy frosting and thereby to a higher power consumption (see also „Something not Working“).

Electrical Connection

Any electrical work required to install this appliance should be carried out by a qualified electrician or competent person.

! WARNING – THIS APPLIANCE MUST BE EARTHED

The manufacturer declines any liability should these safety measures not be observed.

Before switching on, make sure the electricity supply voltage is the same as that indicated on the appliance rating plate. The rating plate is inside, on the left.

The appliance is supplied with a 13 amp plug fitted. In the event of having to change the fuse in the plug supplied, a 13 amp ASTA approved (BS 1362) fuse must be used.

Important

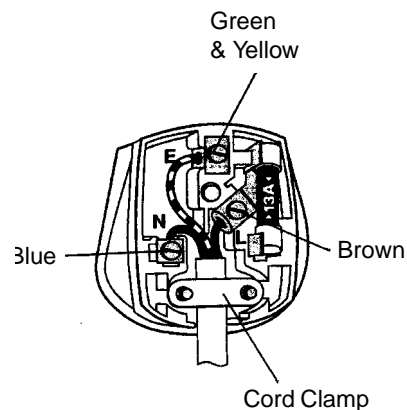
The wires in the mains lead are coloured in accordance with the following code:

Green and Yellow	Earth
Blue	Neutral
Brown	Live

As the colours of the wires in the mains lead of this appliance may not correspond with the coloured markings indentifying the terminals in your plug, proceed as follows:

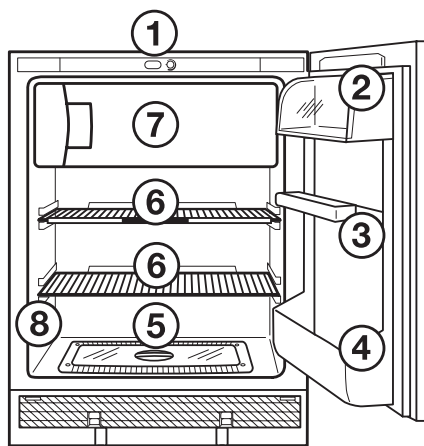
1. The wire coloured green and yellow must be connected to the terminal marked with the letter „E“ or by the earth symbol \oplus or coloured green and yellow.
2. The wire coloured blue must be connected to the terminal „N“ or coloured black.
3. The wire coloured brown must be connected to the terminal marked „L“ or coloured red.
4. Upon completion there must be not cut, or stray strands of wire present and the cord clamp must be secure over the outer sheath.

! Warning! A cut-off plug inserted into a 13 amp socket is a serious safety (shock) hazard. Ensure that the cut-off plug is disposed of safely.



Description of the appliance

View of the appliance



- ① Temperature regulator and light switch
- ② Butter/cheese compartment
- ③ Door storage compartment
- ④ Bottle shelf
- ⑤ Vegetable basket
- ⑥ Storage racks
- ⑦ Freezer compartment
- ⑧ Rating plate

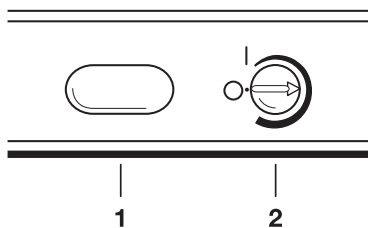
Prior to Initial Start-Up

- 👉 Please clean the appliance interior and all accessories prior to initial start-up (see section: "Before Use").

Initial Use

Important! Only use the appliance when correctly installed!

- 👉 Plug the mains plug into the mains socket. When the door is opened the interior lighting comes on.



- 1 Light switch
- 2 Temperature regulator and ON/OFF switch

The temperature regulator is also the ON/OFF switch.

The large oval switch beside the temperature regulator is the light switch. When the door is opened and closed, the light switch switches the interior lighting on and off.

A coin is needed to turn the temperature regulator. This makes it more difficult to change the temperature setting accidentally (child protection).



The temperature regulator setting shown means: Refrigeration off. Turn in the direction of "1": Refrigeration on, the compressor starts and then runs automatically.



Position "1" means: Highest interior temperature (warmest setting)



This position means: Lowest interior temperature (coldest setting)

The following effects are of significance in respect of the interior temperature:

- Ambient temperature;
- Quantity and temperature of the food stored;
- Frequency with which the door is opened and how long it is left open.

The following temperature settings can therefore only be considered as recommendations that may well need to be adapted to suit your particular situation.

Recommended settings:

- a) For normal refrigeration without using the freezer compartment:
 - Position "1" to higher setting;
 - If lower temperatures are required, mid position.
- b) When frozen foods are stored in the freezer compartment or fresh food is to be frozen, a temperature setting of between mid and coldest setting should be selected, depending on the ambient temperature.

Note: At the setting given under b) the fridge has an average temperature of approx. +5 °C; the average temperature in the freezer compartment is then approx. –18 °C or colder. These figures apply at ambient temperatures from +16 °C to +32 °C.

At higher ambient temperatures, fresh food is properly frozen with the regulator set to a mid position, without the fridge becoming too cold.

- 👉 Turn the temperature regulator to the desired setting with the aid of a coin.

The compressor starts and then runs automatically.

Important!

High ambient temperatures (e.g. on hot summer days) and a cold setting on the temperature regulator can cause the compressor to run continuously.

Reason: when the ambient temperature is high, the compressor must run continuously to maintain the low temperature in the appliance. The fridge will not be able to defrost since automatic defrosting of the fridge is only possible when the compressor is not running (see also "Defrosting"

section). The result is the build up of a thick layer of frost on the fridge rear wall. If this happens, turn the temperature regulator back to a warmer setting. At this setting the compressor will be switched on and off as usual and automatic defrosting recommenced.

Switching off the appliance

- 👉 To switch off the appliance, turn the temperature regulator to position "0".
- 👉 If the door is to left open for an extended period, switch off the interior lighting by turning the temperature regulator to position "0".

If the appliance is not going to be used for an extended period:

- 👉 Switch off the appliance by turning the temperature regulator to position "0".
- 👉 Unplug or switch off of mains.
- 👉 Defrost freezer compartment and clean thoroughly (see section: "Maintenance and Cleaning").
- 👉 Leave the door open to avoid the build up of odours.

Food Storage

Fridge Compartment

The correct temperature for safe storage of fresh food inside is 0°C to 5°C (32°F to 41°F).

The warmest parts of the fridge compartment are at the top storage rack, the vegetable basket and the storage compartments in the door.

Food should always be covered or packaged.

- The following are suitable for packaging:
 - Polyethylen airtight bags and wraps;
 - Plastic containers with lids
 - Special plastic covers;
 - aluminium foil.

Freezer Compartment

The freezer compartment is for freezing and storing food.

Important!

- The temperature in the freezer compartment must be -18 °C or colder before freezing food or storing food already frozen.
- Allow warm food to cool down before freezing.
- Thawed foods which have not been processed further (cooked into meals) may

not under any circumstances be frozen a second time.

- 👉 All foods must be packed air tight prior to freezing, so that they do not dry out or lose their flavour.

Caution! Do not touch frozen food with wet hands. Your hands could freeze to the food.

- 👉 Lay the packaged food on the floor of the freezer compartment. Unfrozen food must not touch items already frozen, otherwise the frozen food could begin to defrost.
- The following are suited for the packaging of frozen goods:
 - freezer bags and polyethylene wraps;
 - special cans for frozen goods;
 - extra-thick aluminium foil.
- The following are suitable for sealing bags and wrap:
 - plastic clips, rubber bands or tape.
- Smooth the air out of the bag before sealing; air makes it easier for the frozen food to dry out.
- Make flat packages, because these freeze more quickly.
- Do not fill cans for frozen goods to the brim with liquid or paste-like goods, because liquids expand during freezing.

Preparation of Ice Cubes

- ☞ Fill the ice cube tray 3/4 full with cold water, place it in the freezer compartment and leave to freeze.
- ☞ To loosen the frozen cubes, either bend the ice cube tray or hold it under running water for a few seconds.

Important! Never try to free an ice tray that is frozen to the freezer compartment using pointed or sharp edged objects. Use a spoon handle or similar.

Defrosting your Appliance

Fridge

The fridge defrosts automatically. The rear wall of the fridge covers with frost when the compressor is running, and defrosts when the compressor is off.

The defrost water is collected in the drain channel on the rear of the fridge, fed through the drain hole into the collection compartment in the base and then evaporated.

Freezer compartment

During use and when the freezer compartment door is opened, moisture is deposited in the freezer compartment as frost. Under no circumstances use hard or pointed objects to remove frost.

The freezer compartment should be defrosted regularly (approximately every two month) or when a layer of frost accumulates (approx. 4 mm).

Warning!

- Do not use electrical heating appliances or any other mechanical or artificial devices to speed up the defrosting process.
- Do not use defrosting sprays, they can be hazardous to your health and/or contain substances that damage plastics.

Caution! Do not touch frozen food with wet hands. Your hands could freeze to the food.

- ☞ Remove frozen food, wrap it in several layers of newspaper and store it, covered, in a cool place.

- ☞ Switch off the appliance and unplug it, or pull the fuse or switch off of mains.
- ☞ Leave the refrigerator door open.
- ☞ Defrosting can be speeded up by putting bowls of hot (not boiling) water in the compartment.
- ☞ The interior of the frozen food compartment can be wiped out using a solution of bicarbonate of soda and water and then dried as described under "Internal Cleaning"
- ☞ Ensure the control dial is in its normal position. SWITCH ON at the electricity supply.
- ☞ Replace all fitments and food. Close door.
 - If the temperature of frozen food is allowed to rise during defrosting, its storage life may be shortened.

Hints and Tips

Normal Operating Sounds

- You may hear faint gurgling or bubbling sounds when the refrigerant is pumped through the coils or tubing at the rear, to the cooling plate/evaporator.
- When the compressor is on, the refrigerant is being pumped round and you will hear a whirring sound or pulsating noise from the compressor.
- A thermostat controls the compressor and you will hear a faint click when the thermostat cuts in and out.

Food Storage




To obtain the best performance from your refrigerator:

- Do not store warm food or evaporating liquids.
- Do not store food uncovered.
- Keep the time between buying chilled food and placing it in your refrigerator as short as possible.

Maintenance and Cleaning

Before any maintenance or cleaning work is carried out DISCONNECT the appliance from the ELECTRICITY supply.


Internal Cleaning

-  Remove frozen food and the food from the refrigerator. Wrap frozen food in several layers of newspaper. Store it in a cool place, well covered.
-  Defrost the freezer compartment prior to cleaning (see "Defrosting" section).
-  Clean the inside and accessories with warm water and bicarbonate of soda (5 ml to 0.5 litre of water). Rinse and dry thoroughly.



Warning!

- Do not use detergents, abrasive powders, highly perfumed cleaning products, wax polishes or cleaning products containing bleach or alcohol.

-  Clean the drain hole of the water through at regular intervals and ensure that the


- Do not push food together too much, try to allow air to circulate around each item.




Energy Saving Advice

- Do not install the appliance close to sources of heat, such as a cooker, dishwasher or radiator.
- Locate the appliance in a cool well ventilated room and make sure that the air openings of the appliance are not obstructed.
- Always leave warm food to cool down to room temperature before placing in the fridge.
- Try to avoid keeping the door open for long periods or opening the door too frequently as warm air will enter the cabinet and cause the compressor to switch on unnecessarily often.
- Ensure there are no obstructions preventing the door from closing properly.

drain hole is clear at all times. If blocked, carefully clear using a piece of flexible curtain wire inserted into the drain outlet to remove the blockage. To do this remove the small plastic storage shelf at the base of the rear wall of the fridge and, after cleaning, replace.

-  Regularly check the door seals and wipe clean to ensure they are clean and free from debris.

External Cleaning

-  Wash the outer cabinet with warm soapy water.








Warning!

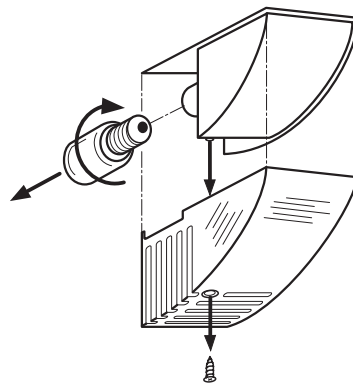
- Do not use abrasive products
- There are sharp edges on the underside of the product so care should be taken when cleaning.

Replace light bulb

Warning! There is a risk of electric shocks! Before changing the light bulb, switch off the appliance and unplug it, or pull the fuse or the circuit breaker.

Light bulb data: 220-240 V, max. 15 W, fitting: E 14

-  To switch off the appliance, turn the temperature regulator to position "0".
-  Unplug the mains plug.
-  To change the light bulb, undo the cross head screw and remove the light bulb cover downwards.
-  Change the defective light bulb.
-  Refit the light bulb cover and the cross head screw.



Something not Working

Before contacting your local service force centre, check the following points.

Sympton	Solution
No power to the appliance.	Check there is power at the socket
	Check there is not a power cut by checking the household lights.
	Check the fuse has not blown.
The temperature in the refrigerator is too high.	Check the ambient temperature is within the appliances operating limits
	Check the thermostat is turned to the correct setting relative to ambient conditions.
The compressor runs continuously	Adjust the thermostat to give correct temperature control, see page 8
	Check that the door is closed.
	Large quantities of food have recently been placed in the cabinet and/or door is frequently opened.
	Check that air ventilation is not obstructed.
The light does not come on.	Ensure the bulb is correctly fitted.
	Replace the bulb it has blown.
	Check the door light switch is not jammed.

Sympton	Solution
Excessive build up of frost.	If the door seal is not airtight (probably after changing over the door hinges) apply warm air to the non sealing area using a hair dryer set to a gentle heat. (do not use a fan heater for this purpose). This will make the rubber more supple and allow it to revert to its original shape.
Noise	Refer to Normal Operating Sounds
The compressor does not start immediately after changing the temperature setting.	This is normal, the compressor starts after a period of time.
Water on the floor	Water drain hole is blocked - see "Maintenance and Cleaning".

If after the above checks there is still a fault, call your local Service Force Centre.

In-guarantee customers should ensure that the above checks have been made as the engineer will make a charge if the fault is not a mechanical or electrical breakdown.

Please note that proof of purchase is required for in-guarantee service calls.

Service and Spare Parts

In the event of your appliance requiring service, or if you wish to purchase spare parts please contact your local Zanussi Service Force Centre by telephoning:

08705 929929

Your call be routed the Service force Centre covering your post code area. The address of your local Service Force Centre is detailed in the accompanying Customer Care Book.

Before calling out an engineer, please ensure you have read the details under the heading „Something not Working“

When you contact the Service Centre you will need to give the following details:

1. Your name, address and post code
2. Your telephone number
3. Clear and concise details of the fault
4. The model and serial number of the appliance (found on the rating plate)
5. The purchase date

Customer Care Department

For general enquiries concerning your Zanussi appliance or for further information on Zanussi products, you are invited to contact our Customer Care Department by letter or telephone as follows:

Customer Care Department
Zanussi
55-77 High Street
Slough
Berkshire
SL1 1DZ

Tel.: 08705 727727

Technical Terminology

- **Refrigerant**
Liquids that can be used to generate a cooling effect are known as refrigerants. They have a relatively low boiling-point, indeed so low, that the warmth from the food stored in the fridge or freezer can cause the refrigerant to boil and vaporise.
- **Refrigerant Circuit**
Closed circulation system that contains the refrigerant. The refrigerant circuit comprises primarily of an evaporator, a compressor, a condenser and pipe work.
- **Evaporator**
The refrigerant is evaporated in the evaporator. Similar to all other liquids, refrigerant requires heat to evaporate. This heat is removed from the interior of the appliance, as a result the interior is cooled. The evaporator is therefore located inside the appliance or placed in foam immediately behind the inner wall and thus not visible.
- **Compressor**
The compressor looks like a small drum. It is driven by a built-in electric motor and is mounted on the base of the appliance at the rear. The task of the compressor is to draw in vaporised refrigerant from the evaporator, to compress it, and to pass it on to the condenser.
- **Condenser**
The condenser normally has the form of a grid. The refrigerant compressed in the compressor is liquefied in the condenser. During this process, heat is released to the surrounding air at the surface of the condenser. The condenser is mounted on the base of the appliance.

Regulations, Standards, Guidelines

This appliance was designed for household use and was manufactured in accordance with the appropriate standards. The necessary measures in accordance with appliance safety legislation regulations (GSG), accident prevention regulations for refrigeration appliances (VBG 20) and the regulations of the German Society of Electrical Engineers (VDE) were observed in the manufacture of this appliance.

The refrigerant circuit has been checked for leaks.

- CE This appliance is in accordance with the following EU guidelines:
- 73/23/EEG dated 19 February 1973 - low voltage guidelines.
 - 89/336/EEG dated 3 May 1989 (including guideline change notice 92/31/EEG) - EMV guideline

Peace of mind for twenty four month

Standard guarantee conditions

We, Zanussi Limited, undertake that if within 24 month of the date of the purchase this Zanussi appliance or any part thereof is proved to be defective by reason only of faulty workmanship or materials, we will, at our option repair or replace the same FREE OF CHARGE for labour, materials or carriage on condition that:

- The appliance has been correctly installed and used only on the electricity supply stated on the rating plate
- The appliance has been used for normal domestic purposes only, and in accordance with the manufacturer's instructions
- The appliance has not been serviced, maintained repaired, taken apart or tampered with by any person not authorised by us
- All service work under this guarantee must be undertaken by a Zanussi Service Force Centre.
- Any appliance or defective part replaced shall become the Company's property
- This guarantee is in addition to your statutory and other legal rights

Home visits are made between **8.30am** and **5.30pm** Monday to Friday. Visits may be available outside these hours in which case a **premium** will be charged.

Exclusions

This guarantee does not cover:

- Damage or calls resulting from transportation, improper use or neglect, the replacement of any light bulbs or removable parts of glass or plastic
- Costs incurred for calls to put right an appliance which is improperly installed or calls to appliances outside the United Kingdom
- Appliances found to be in use within a commercial environment, plus those which are subject to rental agreements
- Products of Zanussi manufacture which are not marketed by Zanussi limited.

European Guarantee

If you should move to another country within Europe then your guarantee moves with you to your new home subject to the following qualifications:

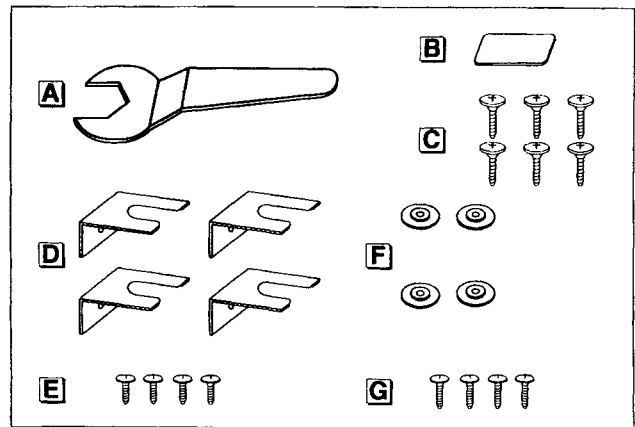
- The guarantee starts from the date you first purchased your product.
- The guarantee is for the same period and to the same extent for labour and parts as exist in the new country of use for this brand or range of products.
- This guarantee relates to you and cannot be transferred to another user.
- Your new home is within the European Community (EC) or European Free Trade Area.
- The product is installed and used in accordance with our instructions and is only used domestically, i. e. a normal household.
- The product is installed taking into account regulations in your new country.
- Before you move please contact your nearest Customer Care Centre, listed below, to give them details of your new home. They will then ensure that the local Service Organisation is aware of your move and able to look after you and your appliances.

France	Senlis	+33 (0)3 44 62 29 99
Germany	Nürnberg	+49 (0)911 323 2600
Italy	Pordenone	+39 (0)1678 47053
Sweden	Stockholm	+46 (0)8 738 7950
UK	Newbury	+44 (0)1635 521313

**BUILT IN
REFRIGERATORS
AND
FREEZERS
ZU 8124**

INSTALLATION INSTRUCTIONS

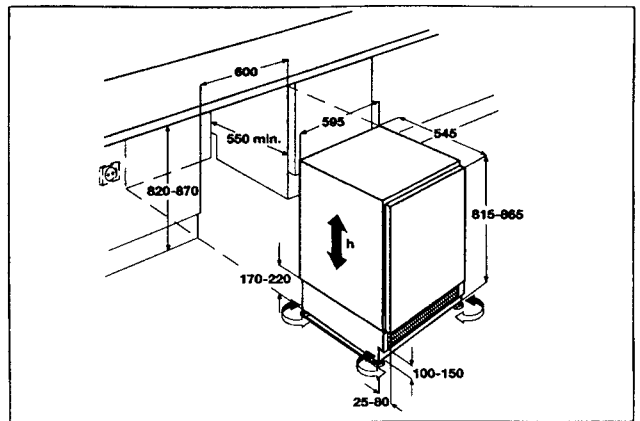
Installation parts supplied



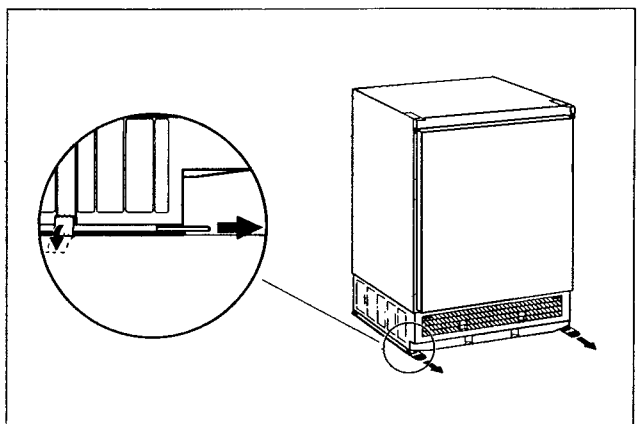
Contents

Dimensioned drawings	3	Push appliance into place	5
Remove transport safeguard	3	Adjusting base	5
Removing covering and adjusting strips	3	Placing the base blind	6
Removing base blind	3	Mounting furniture door	6
Rehingeing the door (where necessary)	4	Screw appliance into place	7
Adjust height	5	Placing the covering strip	7

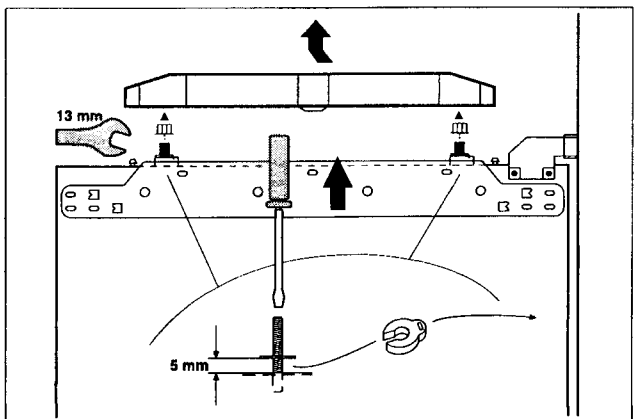
Dimensioned drawings



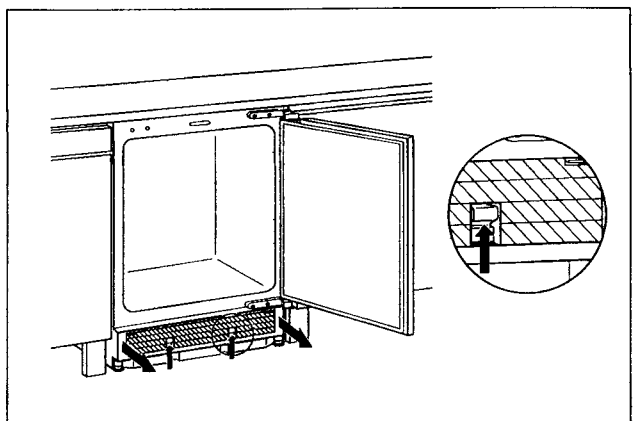
Remove transport safeguard



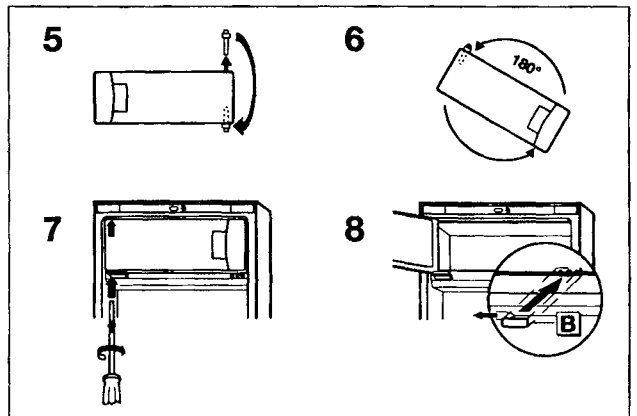
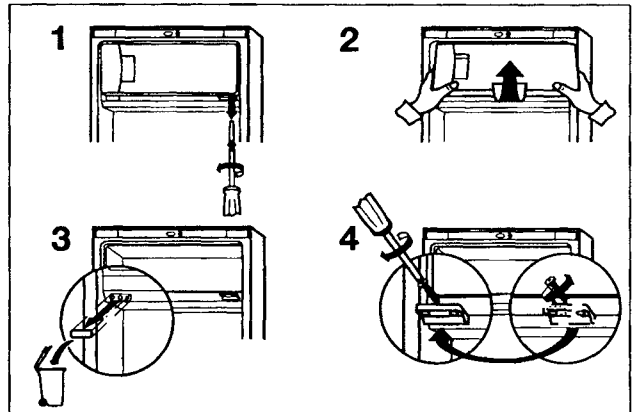
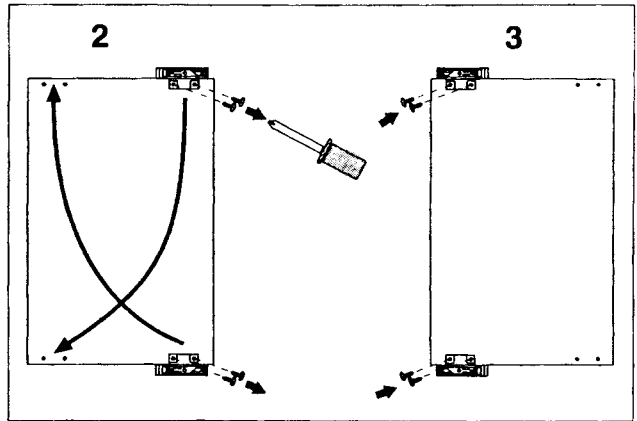
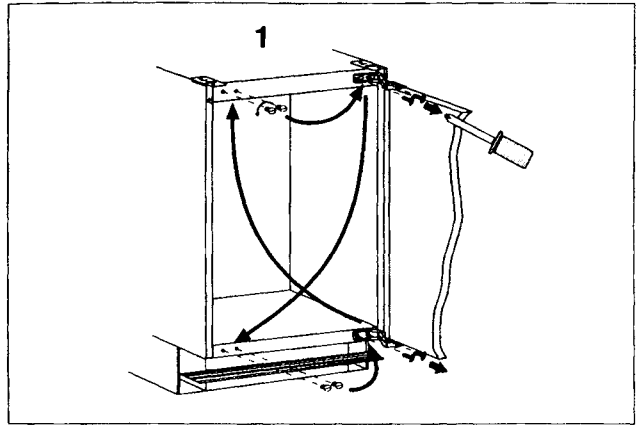
Removing covering and adjusting strips



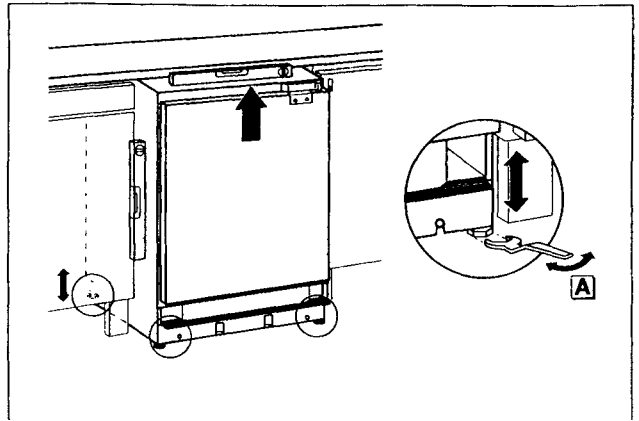
Removing base blind



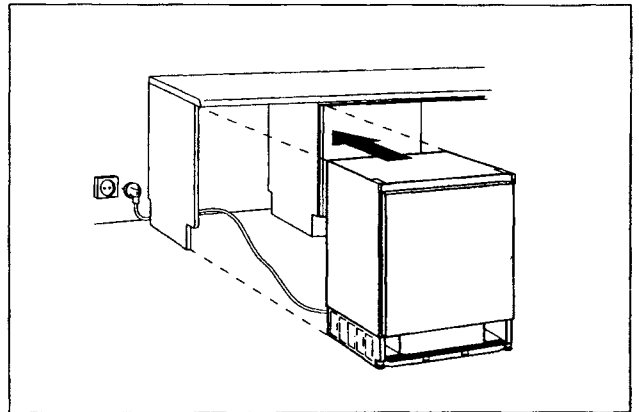
Rehingeing the door
(where necessary)



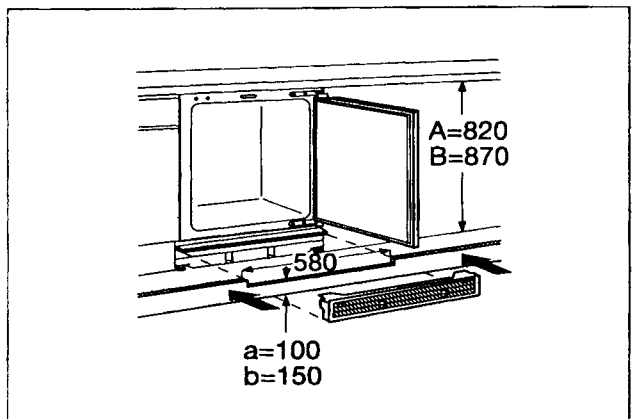
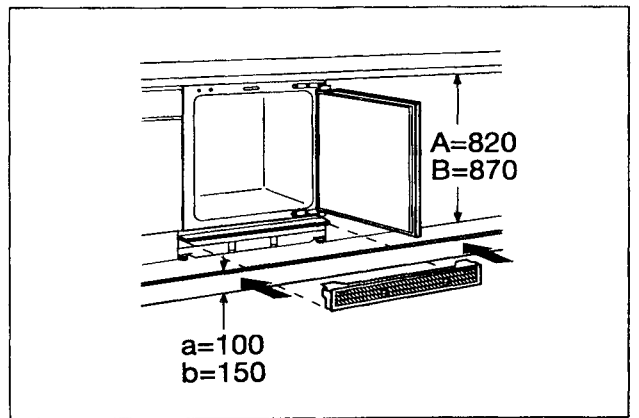
Adjust height

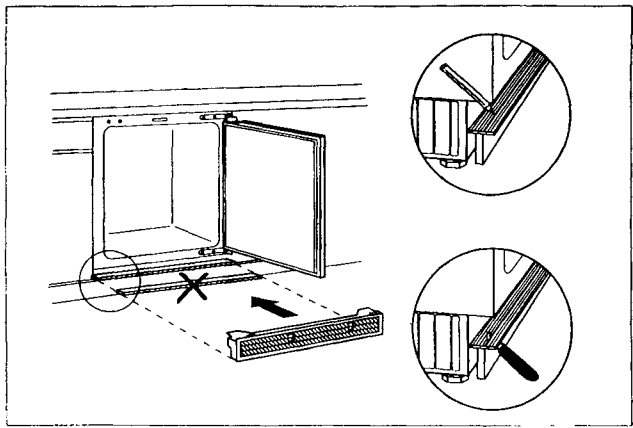


Push appliance into place

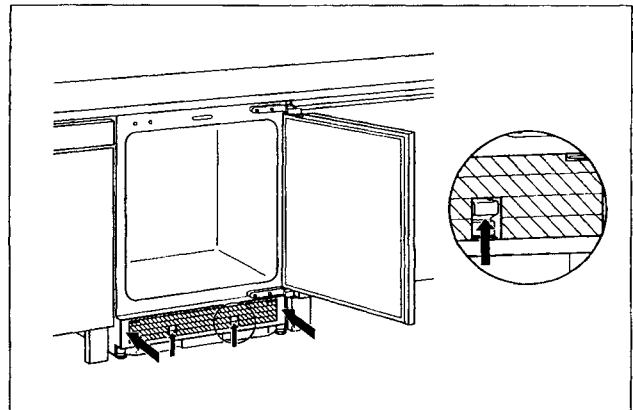


Adjusting base

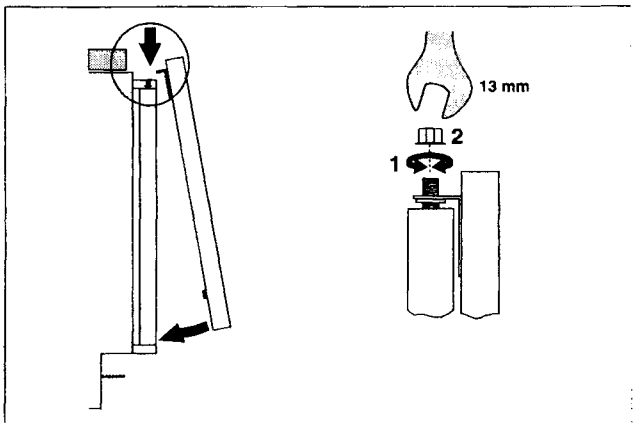
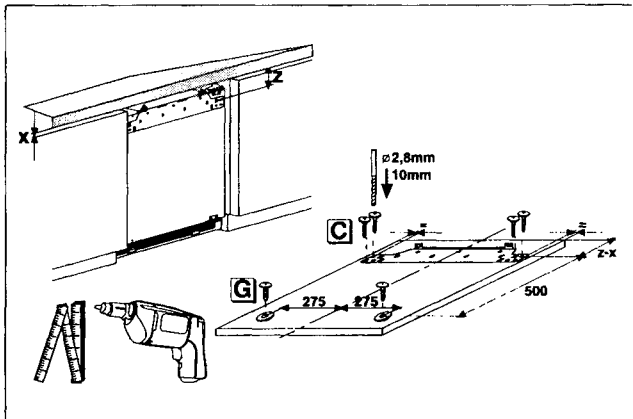


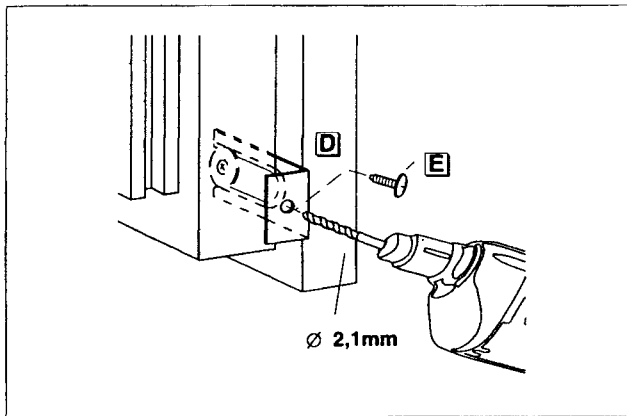
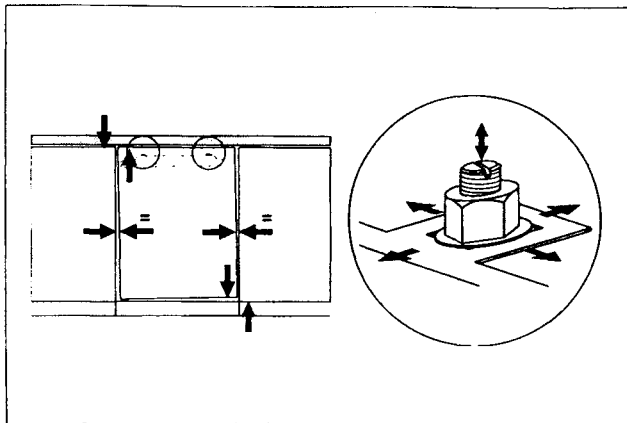


Placing the base blind

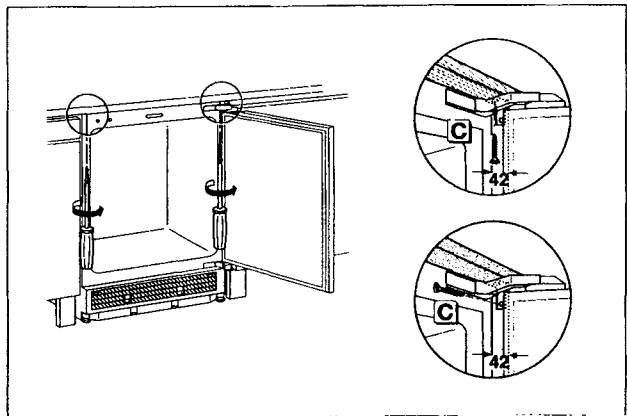


Mounting furniture door





Screw appliance into place



Placing the covering strip

