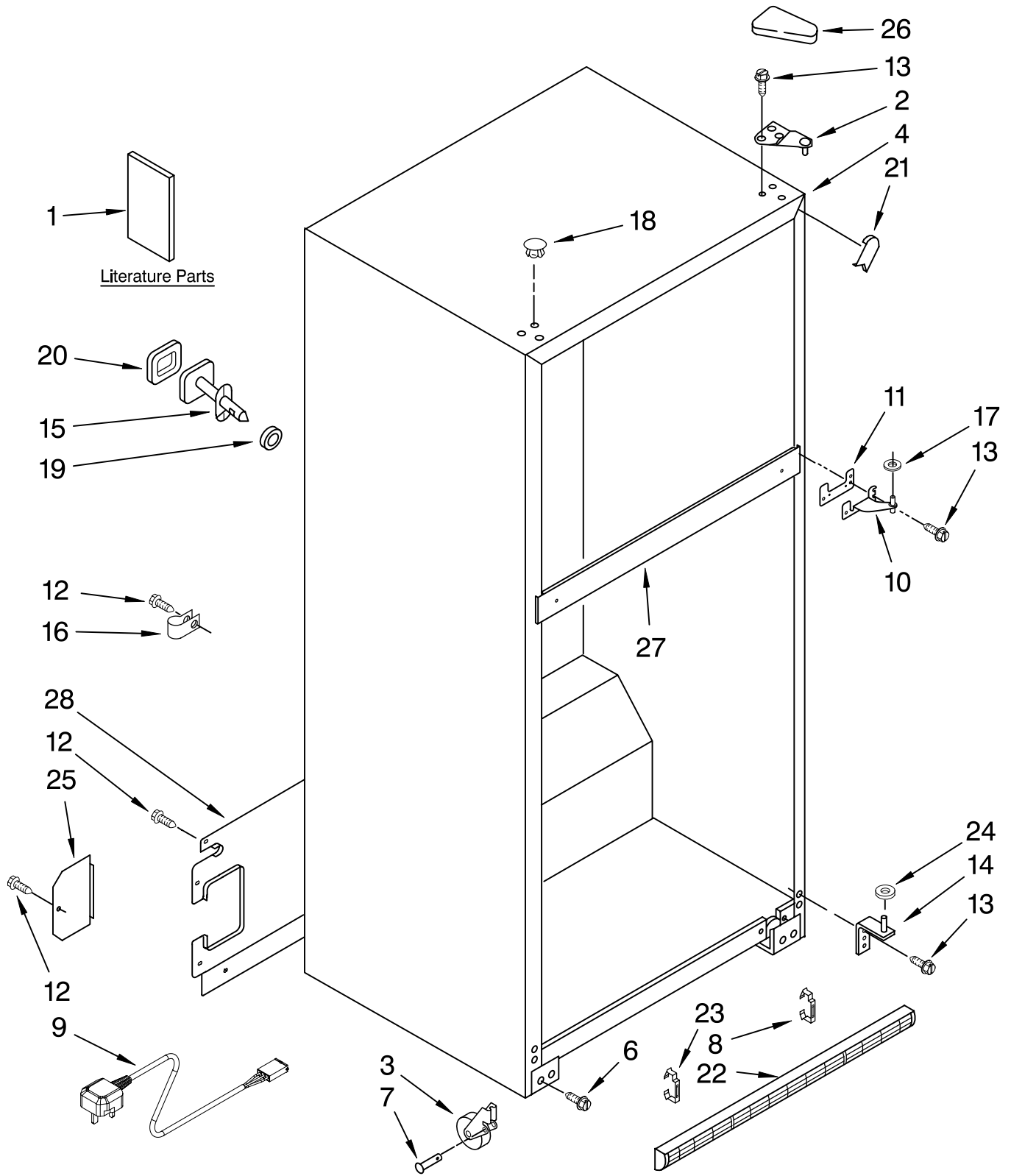




# CABINET PARTS

For Models: 5VET0WPKLQ05  
(White)

REFRIGERATOR



FOR ORDERING INFORMATION REFER TO PARTS PRICE LIST

# CABINET PARTS

For Models: 5VET0WPKLQ05  
(White)

<b>Illus. No.</b>	<b>Part No.</b>	<b>DESCRIPTION</b>
1		Literature Parts
	W10129943	Service & Wiring Sheet
	2318229	Use & Care Guide

## Following May Be Purchased

### DO-IT-YOURSELF REPAIR MANUALS

	677967	Do-It-Yourself Manual Ref/Fzr
2	2189410	Hinge (Top)
3	2166108	Roller, Front (2)
4		Cabinet (Not a Serviceable Part) (Water Supply Line)
6	3400504	Screw
7	2179826	Rivet
8	2254385	Clip, Grille
9	W10123575	Cord, Service
10	2254618	Hinge, Center
11	2183854	Shim, Hinge Center
12	489464	Screw
13	489497	Screw
14	2254473	Hinge Butt Hinge
15		Fitting, Water Tube (Not Serviced)
16	489348	Clamp
17	489341	Washer
18		Hole Plug (6)
	2201012	White
19		Seal, Front (Not Serviced)
20		Seal, Rear (Not Serviced)
21		Corner Filler (2)
	2201014	White
22		Grille
	2254386	White
23	2189356	Clip, Grille
24	487576	Washer
25	2166251	Cover, Valve
26		Cover, Hinge
	2213360	White
27		Rail, Center (Not Serviced)
28	2302357	Cover, Unit



# DOOR PARTS

For Models: 5VET0WPKLQ05  
(White)

Illus. No.	Part No.	DESCRIPTION
1		Refrigerator Door (Includes #9 & #22)
	2183948	White
2		Cover, End Cap
	2202819W	White
5		Handle
	2202807W	White
6	8534058	Screw
9		Door Gasket, Magnetic
	2202874	Mist Beige
10	8281146	Screw
11	2195941	Trim, Door Shelf
14	2195943	Trim, Door Shelf
16	2180027	Trim, Door Shelf
17	8281206	Screw
18	2195942	Trim, Door
19		Freezer Door (Includes #22 & #23)
	2182487	White
20		Hole Plug
	2189000	White
22	2314293	Thimble
23		Door Gasket, Magnetic
	2214966	Mist Beige
24	2195915	Plug, Trim
26	2189202	Bracket, Door Stop
27	489276	Screw
28	2212648	Hole Plug
29	2156007	Plug, Trim
30	2156006	Plug, Trim
31	2218113	Compartment Door
32		Nameplate
	2195063	White
33		Handle, F.C.
	2202806W	White
34	2195946	Trim, Door (2)
35	2195916	Endcap (4)
36	2195949	Trim, Door



# LINER PARTS

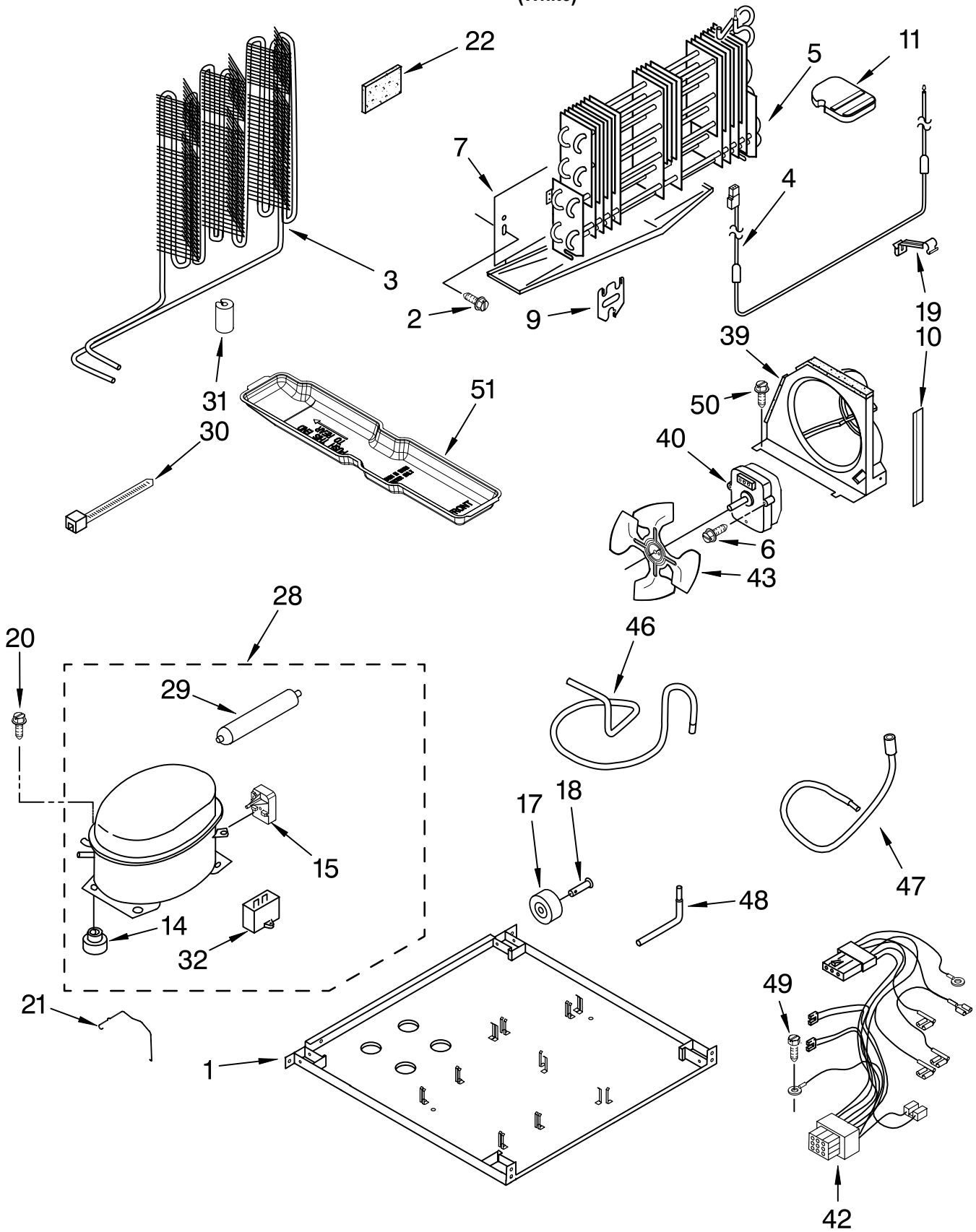
For Models: 5VET0WPKLQ05  
(White)

Illus. No.	Part No.	DESCRIPTION
1		Liner (Not A Serviceable Part)
2	2197380	Grommet (2)
3	2254359	Gasket, Evaporator Cover (Side)
4	2321259	Timer, Defrost
5	2212485	Thermostat Tube Barrier
6	941839	Hole Plug
7	W10123573	Wire Assy. Control Box
8	W10134764	Socket, Light (2)
9	2179858	Damper, Air
10	2321273	Fan Motor
11	2200509	Fan Blade
12	W10149973	Control Box
13	W10129922	Thermostat Assy. (Includes Items 5, 18 & 36)
14	489478	Screw
16	2320192	Cover, Evaporator
17	851682	Light Bulb (2)
18	2200831	Weight, Thermal
19	2321286	Rocker Arm Switch
20	2179859	Post, Damper
21	2176281	Cover, Air Diffuser
22	2200863	Knob, Thermostat
23	2254354	Air Tower
24	2189452	Air Diffuser, Bottom
26	2179877	Air Diffuser, Top
27	2205003	Cover, Hole
29	2254453	Bracket, Fan Motor
30	2320183	Retainer-Screw
31	2179838	Foil, Control Box
32	487996	Cap
33	2176341	Clip, Defrost Timer
34	2302536	Knob, Damper
35	2163810	Bracket, Damper Knob
36	2205079	Seal, Rear Thermostat
37	2204639	Shield, Heat
38	2210509	Valve-Tube, Body
39	W10123569	Wire Assembly, F.C. (Includes Item 42)
40	2254454	Bracket Evap. Fan, Rear
41	W10119914	Shroud
42	2321257	Defrost Bi-Metal
43	488208	Screw (2)
45	2201082	Shield

FOR ORDERING INFORMATION REFER TO PARTS PRICE LIST

# UNIT PARTS

For Models: 5VET0WPKLQ05  
(White)



FOR ORDERING INFORMATION REFER TO PARTS PRICE LIST

# UNIT PARTS

For Models: 5VET0WPKLQ05  
(White)

Illus. No.	Part No.	DESCRIPTION
1	2320188	Plate, Unit Mounting
2	489478	Screw
3	2214960	Condenser
4	W10123579	Heater, Defrost
5	2254250	Evaporator Assy.
6	8533859	Screw
7	2254294	Drain Pan
9	2176301	Bracket, Heater
10	2300638	Extension, Air Baffle
11	2201184	Support Block
14		Grommet (4)
	1100826	Production
	4387558	Service
15	2321301	Start-Device Combination (Start Relay and Overload for Production Compressor Only)
17	2150304	Roller (2)
18	2221797	Rivet
19	2182338	Clip, Heater
20	489373	Screw

Illus. No.	Part No.	DESCRIPTION
21	2302129	Strap
22	2169104	Insulation-Sound
28	2321299	Compressor (Includes Items 14, 29 & 32) (Also Order 482801 Installation Kit & 876765 Tube Kit)
29		Drier
	2317845	Service
30	2155774	Clamp
31	2319835	Grommet-Cond(4)
32		Capacitor
	2254217	Production
	4387874	Service
39	2302250	Air Baffle
40	2321271	Motor, Condenser
42	W10123567	Wire Assembly, Unit
43	2225834	Fan Blade
46	2205533	Tube, Discharge
47	2214924	Tube, Suction
48	2154109	Tube, Process
49	488500	Screw
50	3400518	Screw
51	2254574	Evaporator Tray

Illus. No.	Part No.	DESCRIPTION
Following Parts Not Illustrated and Optional Parts Not Included		
	978025	Valve, Access (1/4")
	978026	Valve, Access (5/16")
	978027	Valve, Access (3/8")
	978028	Valve, Access (1/2")
	978029	Valve, Access (5/8")
	978030	Valve, Access (3/4")
	876764	Valve, Access (3/16")
<b>REFRIGERANT CHARGE</b>		
		4.23 Ozs. (R134A)

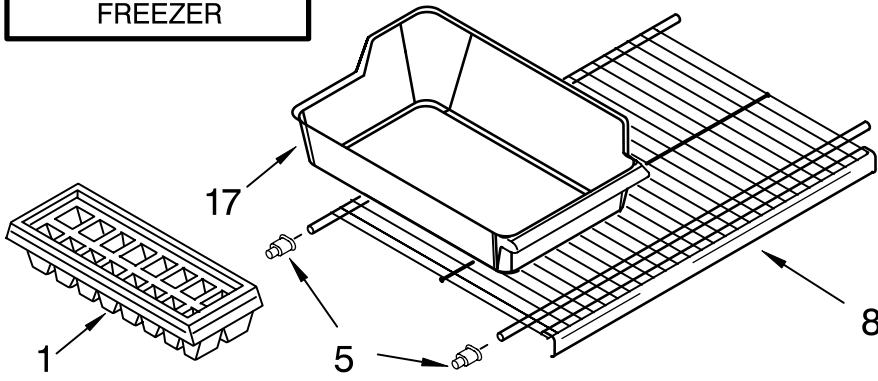
FOR ORDERING INFORMATION REFER TO PARTS PRICE LIST



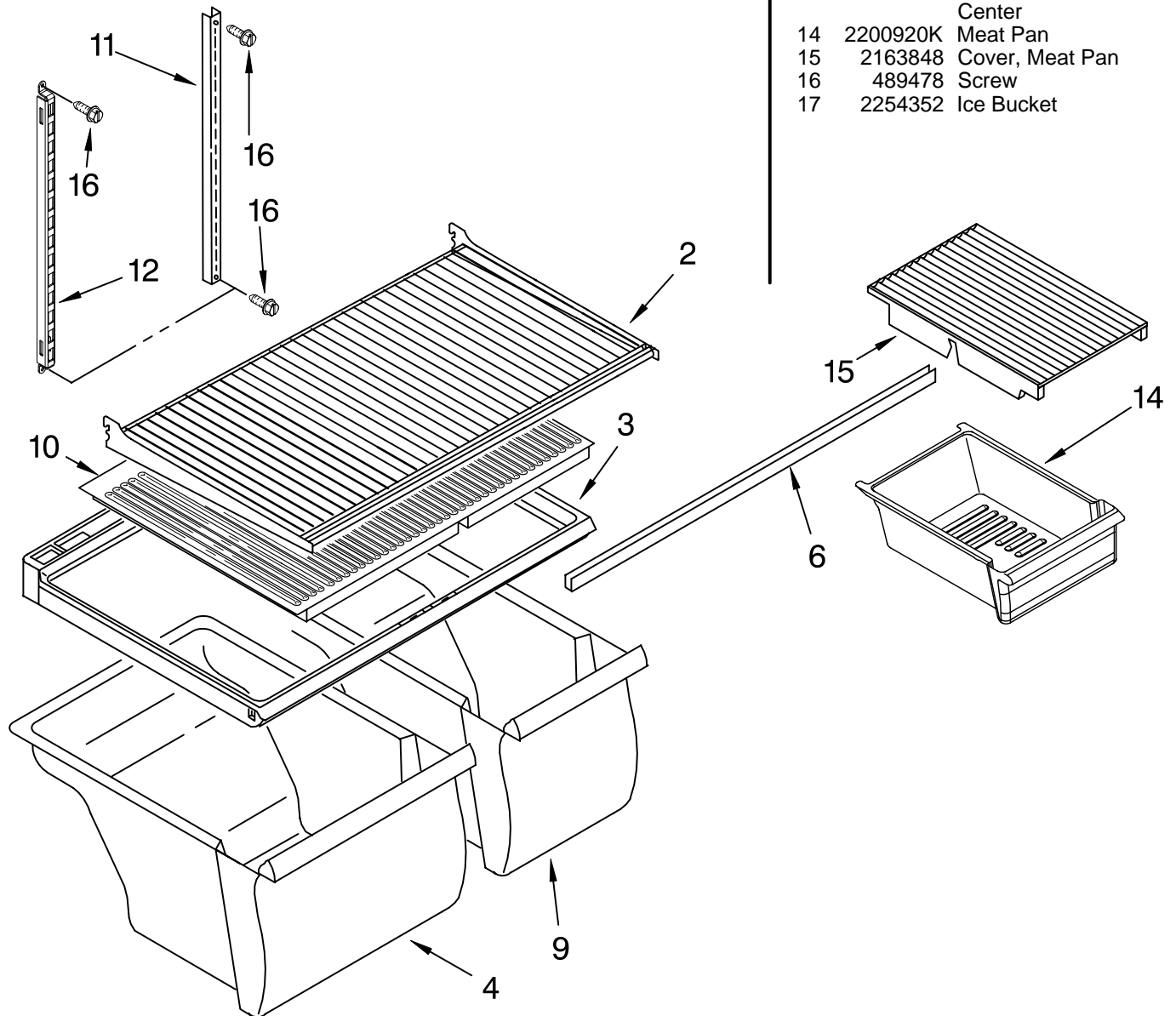
# SHELF PARTS

For Models: 5VET0WPKLQ05  
(White)

## FREEZER



## REFRIGERATOR



Illus. No.	Part No.	DESCRIPTION
1	841180	Ice Tray (2)
2	2163856	Shelf (2)
3	2314497	Cover, Crisper
4	2166256	Pan, Crisper
5	2163762	Cup, Shelf Mounting
6	2314477	Support, Crisper Cover
8	2176275	Shelf
9	2166257	Pan, Crisper
10	2166149	Insert, Crisper Cover
11	2210522	Shelf Ladder (2)
12	2300520	Shelf Ladder, Center
14	2200920K	Meat Pan
15	2163848	Cover, Meat Pan
16	489478	Screw
17	2254352	Ice Bucket

FOR ORDERING INFORMATION REFER TO PARTS PRICE LIST

# OPTIONAL PARTS

For Models: 5VET0WPKLQ05  
(White)

Illus. No.	Part No.	DESCRIPTION
------------	----------	-------------

Parts Not Illustrated and  
Optional Parts (Not Included)

### Miscellaneous

978941	Insulation, Fiberglass (63-1/2" x 35-1/2" x 2-5/8")
212643	Sealer, Gum (4 Feet)
479502	Tape, Vinyl (3/4" x 108")
876305	Kit, Insulation (14 Pcs. 3" x 24" x 48")
876370	Kit, Insulation (2 Pcs. 3" x 24" x 48")
876029	Kit, Foam Slab (30" x 32-1/2" x 1-1/2")
505587	Sealer, Mastic (1 Qt.)
511873	Touch-Up, White Porcelain (2 Oz.)
542638	Grease, Silicone (1/2 Oz.)
542639	Cement, Alumilastic (1-1/4 Oz.)
606755	Bag, Insulation (36-5/8" x 46")
799833	Kit, Evaporator Repair (Aluminum Epoxy)
799832	Kit, Porcelain Repair (White)
503695	Cork Sealer (1/4 Pound)

Illus. No.	Part No.	DESCRIPTION
------------	----------	-------------

### Customer Touch-Up Material

*350942	Primer, White (12 Oz. Spray Can)
*350939	Enamel, Black (12 Oz. Spray Can)
*350930	Enamel, White (12 Oz. Spray Can)
*350956	Enamel, Almond (12 Oz. Spray Can)
72017	Brush Touch-Up Kit (White)
72032	Brush Touch-Up Kit (Black)
72107	Brush Touch-Up Kit (Almond)

### Refinishing Material

799340	Enamel, Black (1 Qt. Uncut)
799344	Enamel, White (1 Qt. Uncut)
978883	Enamel, Almond (1 Qt. Uncut)
833938	Kit, Terminal Connector

**\*Important:** The spray paint is not to be used where the paint may make contact with the door gaskets.

Illus. No.	Part No.	DESCRIPTION
------------	----------	-------------

### ICE MAKER FIELD INSTALLABLE

2155304 4ECKMF87

### TORX SCREW WRENCH

1117510 Torx Key