

© Copyright, RF Digital
 3/9/2012 12:00 AM
 Patents Pending
 RoHS CE • ESTI
 RFD21733 • FCC • IC
 Approved & Certified

RF DIGITAL

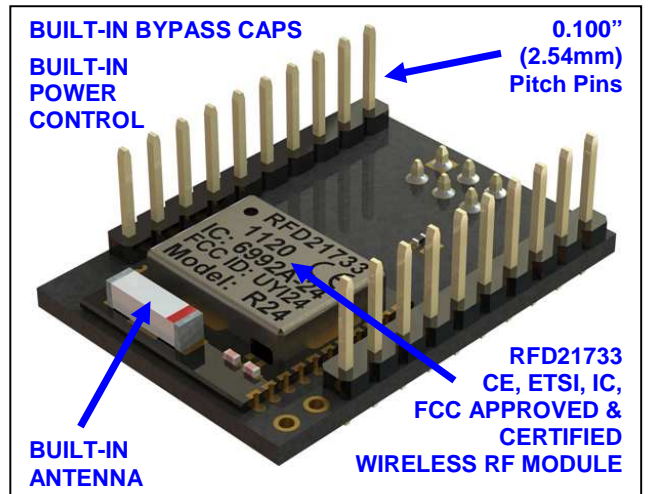
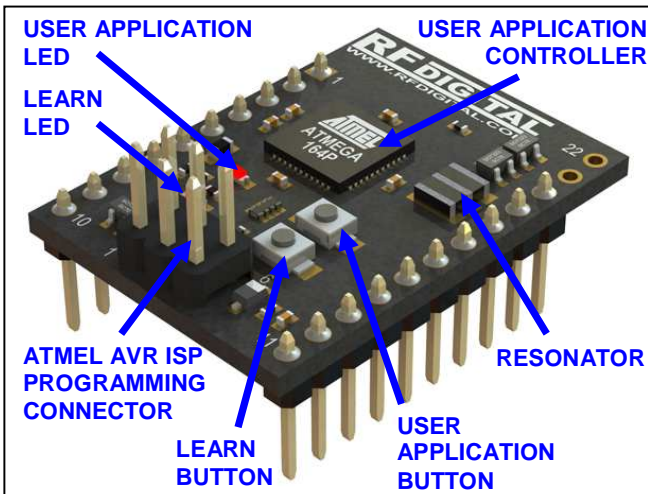
C O R P O R A T I O N

13715 Alton Pkwy • Irvine • CA • 92618
 Tel: 949.610.0008 • www.RFdigital.com
 Email: support@rfdigital.com

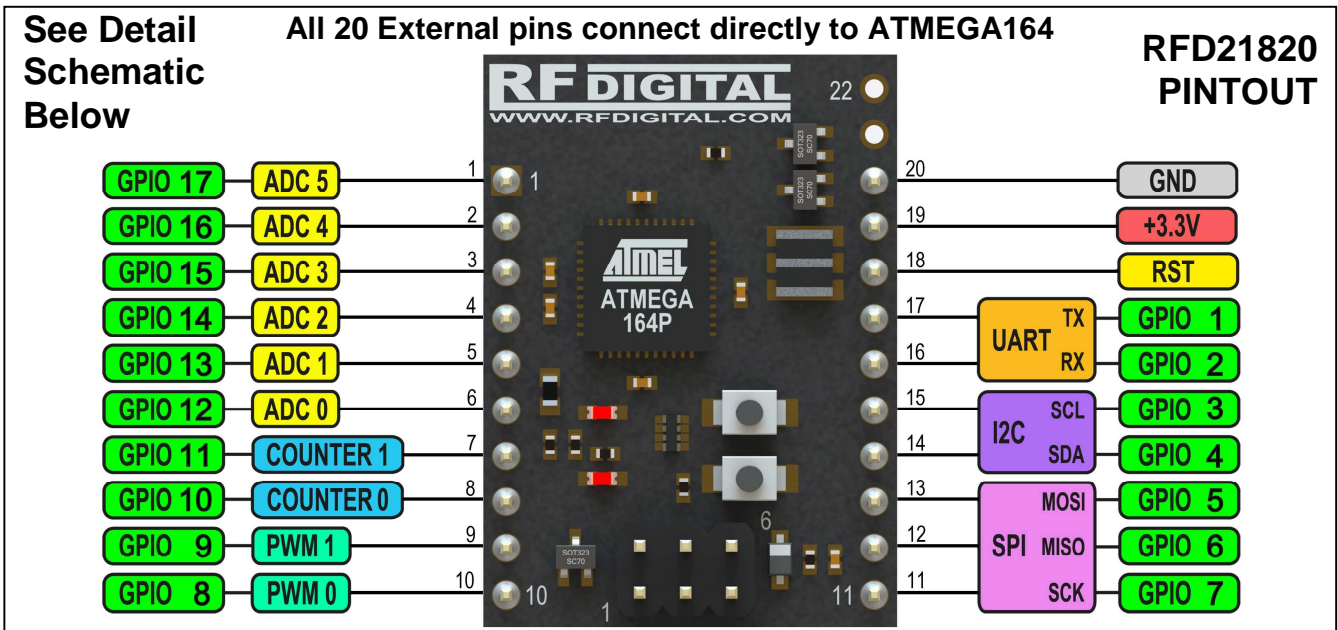
ATMEL
 ATMEGA164
 Instant Solutions
 Wireless RF Module
RFD21820



ALL-IN-ONE • PLUG & PLAY ATMEL ATMEGA164 Instant Wireless RF Application Module



PLUGS DIRECTLY INTO ANY BREADBOARD



Only 0.9" x 1.25" In Size (23x32mm)

ORDER NOW OnLine: <http://www.RFdigital.com>

© Copyright, RF Digital
 3/9/2012 12:00 AM
 Patents Pending
 RoHS CE • ESTI
 RFD21733 • FCC • IC
 Approved & Certified

RF DIGITAL

C O R P O R A T I O N

13715 Alton Pkwy • Irvine • CA • 92618
 Tel: 949.610.0008 • www.RFdigital.com
 Email: support@rfdigital.com

ATMEL
 ATMEGA164
 Instant Solutions
 Wireless RF Module
RFD21820

BUILT-IN RFD21733 RADIO TRANSCEIVER

CE • ETSI • IC • FCC APPROVED

The RFD21820 has the RFD21733 radio transceiver mounted on the back of it, which allows the controller on the top to have seamless wireless communication. All RFD21733 radio transceiver module control pins are hardwired to the Atmel ATMEGA164 application controller, so you have full control of the RFD21733. You can power it off completely, consuming zero current and quickly turn it back on to full use mode in only 3mS using a single GPIO on the ATMEGA164. You can read the internal unique 32 bit ESN internal to the RFD21733 using a simple READ ESN command and use it in your code for your application. All 8 modes are switchable and under full programmatic control of the ATMEGA164 application controller. All 8 modes including the built-in ESN and network modes can also be fully used and controlled using the ATMEGA164. You are free to use the Serial UART interface or switch input and output features. Typical range for the RFD21733 is 500 Feet (150 meters).

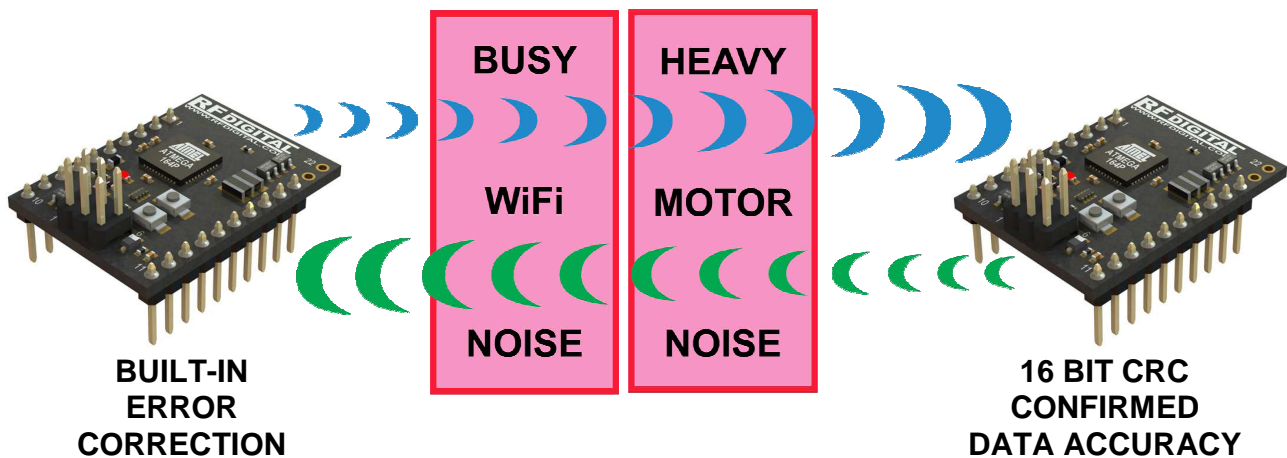
Here is the link to the full datasheet for the RFD21733:

<http://www.rfdigital.com/pdf/RFD21733.Manual.pdf>

Complete **Compliance Approved & Certified**, **READY-TO-USE**, 2.4 GHz wireless solution with built-in RFD21733 interference-tolerant user application protocol. Includes RFID, 32 Bit ESN, Logic Switch Transmitter / Receiver, 9600-8N1 Serial UART Transceiver and many, easy-to-use addressable network modes. No development required at all, no RF layout, no code writing, all features are built-in. Be up and running with a wireless solution in minutes.

WIRELESS INTERFERENCE IMMUNITY PROTOCOL

USING RFD21733, THE RFD21820, ACCURATELY DELIVERS YOUR ATMEGA164 DATA, OVER A CLEAN & ROBUST WIRELESS RF LINK, PENETRATING THROUGH ALL TYPES OF NOISE



ORDER NOW OnLine: <http://www.RFdigital.com>

© Copyright, RF Digital
 3/9/2012 12:00 AM
 Patents Pending
 RoHS CE • ESTI
 RFD21733 • FCC • IC
 Approved & Certified

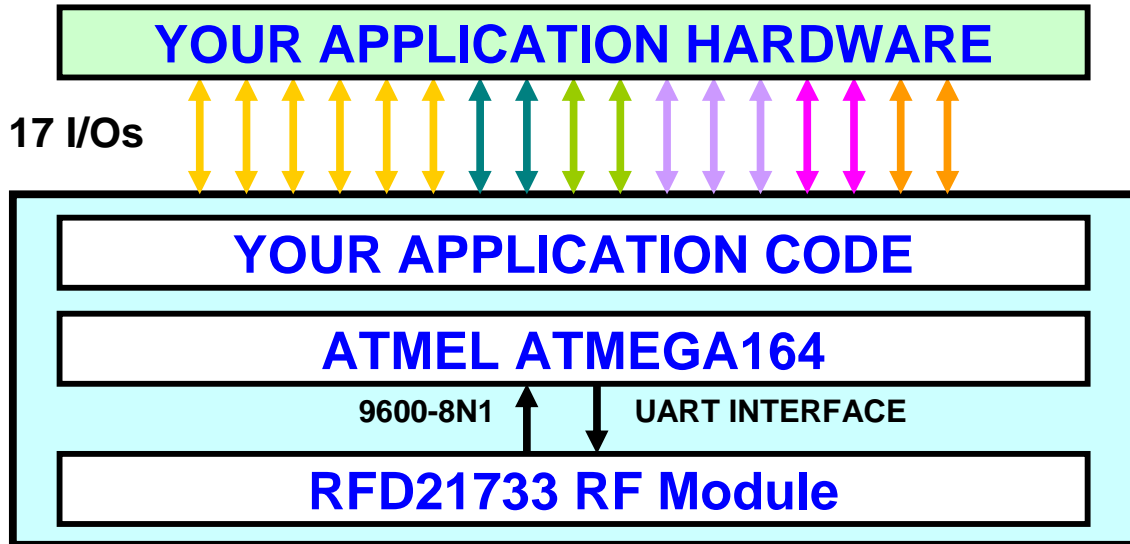
RF DIGITAL

C O R P O R A T I O N

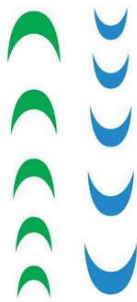
13715 Alton Pkwy • Irvine • CA • 92618
 Tel: 949.610.0008 • www.RFdigital.com
 Email: support@rfdigital.com

ATMEL
 ATMEGA164
 Instant Solutions
 Wireless RF Module
RFD21820

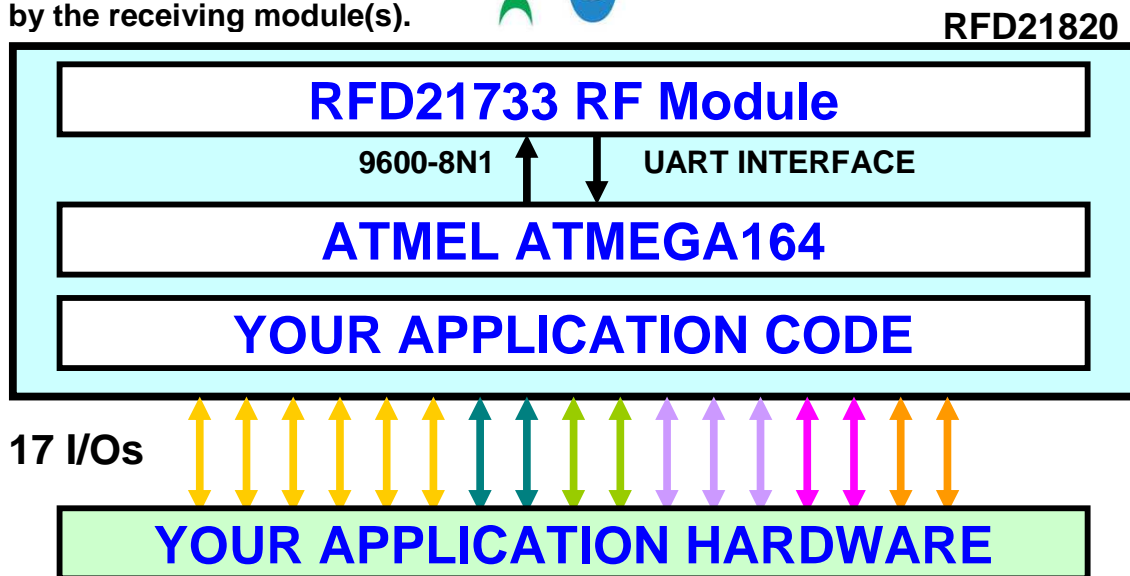
Your application hardware can have up to 17 connections including GPIO, ADC, UART, SPI, I2C, TIMER/COUNTER, PWM, DEBUG and PROGRAMMING interfaces. Conforms to fit to your application.



The RFD21733, with its built-in Patent Pending RFDP8 protocol provides a virtual wireless 9600-8N1 UART serial-interface to you. Any bytes you output from one module is accurately received by the receiving module(s).



RFD21820
 2.4 GHz Wireless RF transmissions are sent and received between the built-in RFD21733 mounted on the back of the controller module board are ERROR FREE.



ORDER NOW OnLine: <http://www.RFdigital.com>

© Copyright, RF Digital
3/9/2012 12:00 AM
Patents Pending
RoHS CE • ESTI
RFD21733 • FCC • IC
Approved & Certified

RF DIGITAL

C O R P O R A T I O N

13715 Alton Pkwy • Irvine • CA • 92618
Tel: 949.610.0008 • www.RFdigital.com
Email: support@rfdigital.com

ATMEL
ATMEGA164
Instant Solutions
Wireless RF Module
RFD21820

KEYFOB



RFD21783

RF Module



RFD21733

RFID



RFD21791

No hardware
to build, no
boards to fab,
saves time
and money!



Simply load
your own
application
code and
you're done!

RFD21820
ATMEL
ATMEGA164

RFDANT



RFD21743

USB



RFD21807

© Copyright, RF Digital
3/9/2012 12:00 AM
Patents Pending
RoHS CE • ESTI
RFD21733 • FCC • IC
Approved & Certified

RF DIGITAL
C O R P O R A T I O N
13715 Alton Pkwy • Irvine • CA • 92618
Tel: 949.610.0008 • www.RFdigital.com
Email: support@rfdigital.com

ATMEL
ATMEGA164
Instant Solutions
Wireless RF Module
RFD21820

ATMEL PROGRAMMER & DEBUGGER TOOLS

Any Atmel ATMEGA164 programming tool can be used. The standard 6 pin Atmel connector is located on top of the RFD21820. You can use all Atmel programming and debugger tools.

Link to the datasheet for AVRISP MKII:

http://www.atmel.com/Images/avrismkii_ug.pdf

Link to the Atmel AVR Dragon page:

<http://www.atmel.com/tools/AVRDRAGON.aspx>

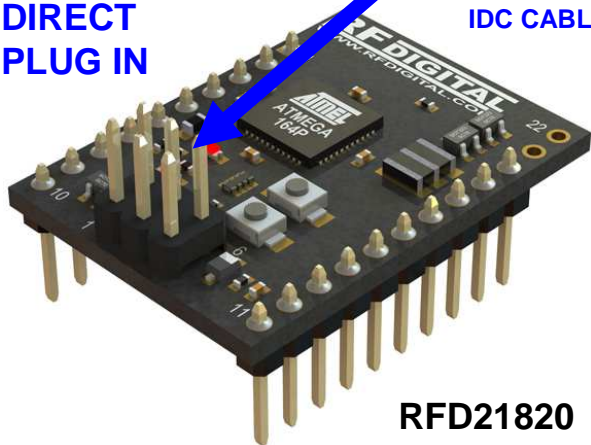
AVR ISP MKII



Image Source:
Atmel.com

**DIRECT
PLUG IN**

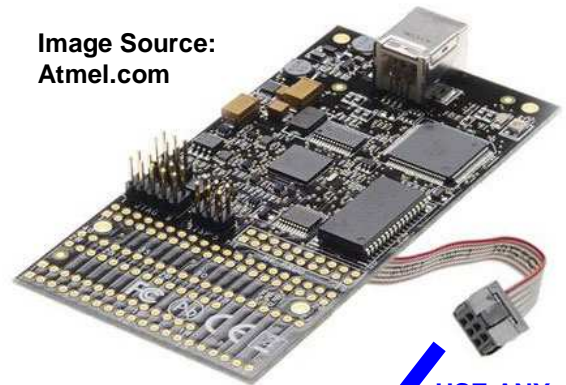
USE ANY
6 PIN
IDC CABLE



RFD21820

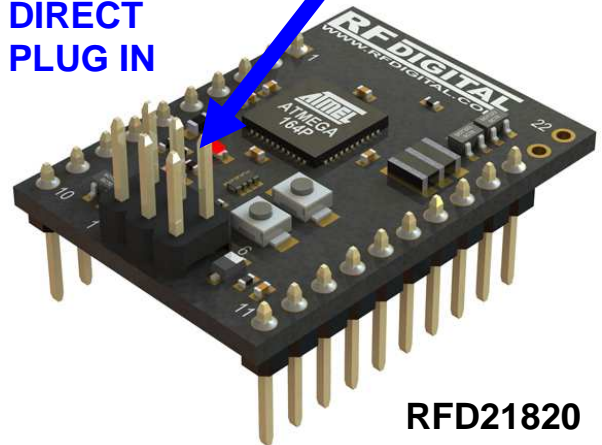
AVR DRAGON

Image Source:
Atmel.com



USE ANY
6 PIN
IDC CABLE

**DIRECT
PLUG IN**



RFD21820

ORDER NOW OnLine: <http://www.RFdigital.com>

© Copyright, RF Digital
3/9/2012 12:00 AM
Patents Pending
RoHS CE • ESTI
RFD21733 • FCC • IC
Approved & Certified

RF DIGITAL

C O R P O R A T I O N

13715 Alton Pkwy • Irvine • CA • 92618
Tel: 949.610.0008 • www.RFdigital.com
Email: support@rfdigital.com

ATMEL
ATMEGA164
Instant Solutions
Wireless RF Module
RFD21820

ATMEL PROGRAMMER & DEBUGGER TOOLS

Any Atmel ATMEGA164 programming tool can be used. The standard 6 pin Atmel connector is located on top of the RFD21820. You can use all Atmel programming and debugger tools.

Atmel STK500 Datasheet:

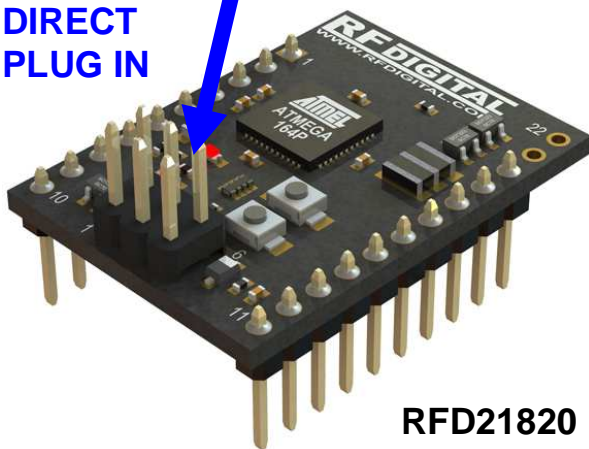
<http://www.atmel.com/Images/doc1925.pdf>

THIRD PARTY TOOLS

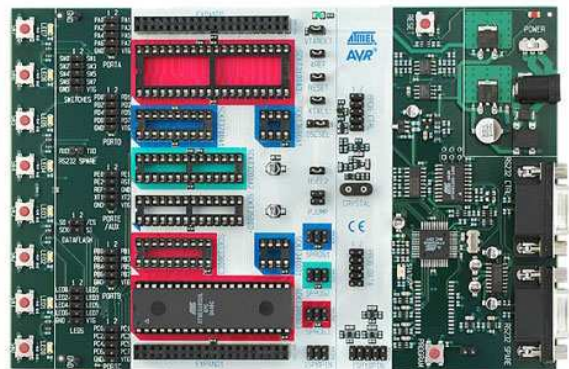
ANY THIRD PARTY
PROGRAMMER AND
DEBUGGER TOOLS
CAN BE USED

USE ANY
6 PIN
IDC CABLE

DIRECT
PLUG IN

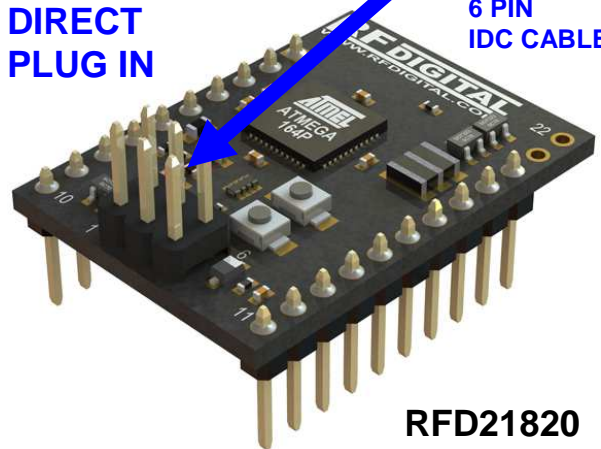


STK500



USE ANY
6 PIN
IDC CABLE

DIRECT
PLUG IN



ORDER NOW OnLine: <http://www.RFdigital.com>

ATMEGA164A-MU CONTROLLER

Displayed below is the front sheet of the Atmel Microcontroller datasheet. For a full datasheet, please go to the link below.

<http://www.atmel.com/Images/doc8272.pdf>

Image Source:
Atmel.com

Features

- High-performance, Low-power Atmel® AVR® 8-bit Microcontroller
- Advanced RISC Architecture
 - 131 Powerful Instructions – Most Single-clock Cycle Execution
 - 32 x 8 General Purpose Working Registers
 - Fully Static Operation
 - Up to 20MIPS Throughput at 20MHz
 - On-chip 2-cycle Multiplier
- High Endurance Non-volatile Memory segments
 - 16/32/64/128KBytes of In-System Self-programmable Flash program memory
 - 512/1 K/2K/4KBytes EEPROM
 - 1/2/4/16KBytes Internal SRAM
 - Write/Erase Cycles: 10,000 Flash/ 100,000 EEPROM
 - Data retention: 20 years at 85°C/ 100 years at 25°C⁽¹⁾
 - Optional Boot Code Section with Independent Lock Bits
 - In-System Programming by On-chip Boot Program
 - True Read-While-Write Operation
 - Programming Lock for Software Security
- QTouch® library support
 - Capacitive touch buttons, sliders and wheels
 - QTouch and QMatrix acquisition
 - Up to 64 sense channels
- JTAG (IEEE std. 1149.1 Compliant) Interface
 - Boundary-scan Capabilities According to the JTAG Standard
 - Extensive On-chip Debug Support
 - Programming of Flash, EEPROM, Fuses, and Lock Bits through the JTAG Interface
- Peripheral Features
 - Two 8-bit Timer/Counters with Separate Prescalers and Compare Modes
 - One/two 16-bit Timer/Counter with Separate Prescaler, Compare Mode, and Capture Mode
 - Real Time Counter with Separate Oscillator
 - Six PWM Channels
 - 8-channel, 10-bit ADC
 - Differential mode with selectable gain at 1x, 10x or 200x
 - Byte-oriented Two-wire Serial Interface
 - Two Programmable Serial USART
 - Master/Slave SPI Serial Interface
 - Programmable Watchdog Timer with Separate On-chip Oscillator
 - On-chip Analog Comparator
 - Interrupt and Wake-up on Pin Change
- Special Microcontroller Features
 - Power-on Reset and Programmable Brown-out Detection
 - Internal Calibrated RC Oscillator
 - External and Internal Interrupt Sources
 - Six Sleep Modes: Idle, ADC Noise Reduction, Power-save, Power-down, Standby and Extended Standby
- I/O and Packages
 - 32 Programmable I/O Lines
 - 40-pin PDIP, 44-lead TQFP, 44-pad VQFN/QFN/MLF
 - 44-pad DQFN
 - 49-ball VFBGA
- Operating Voltages
 - 1.8 - 5.5V
- Speed Grades
 - 0 - 4MHz @ 1.8 - 5.5V
 - 0 - 10MHz @ 2.7 - 5.5V
 - 0 - 20MHz @ 4.5 - 5.5V
- Power Consumption at 1MHz, 1.8V, 25°C
 - Active: 0.4mA
 - Power-down Mode: 0.1µA
 - Power-save Mode: 0.6µA (Including 32kHz RTC)

Note: 1. See "Data Retention" on page 9 for details.



8-bit Atmel
Microcontroller
with
16/32/64/128K
Bytes In-System
Programmable
Flash

ATmega164A
ATmega164PA
ATmega324A
ATmega324PA
ATmega644A
ATmega644PA
ATmega1284
ATmega1284P

8272C-AVR-06/11



© Copyright, RF Digital
3/9/2012 12:00 AM
Patents Pending
RoHS CE • ESTI
RFD21733 • FCC • IC
Approved & Certified

RF DIGITAL
C O R P O R A T I O N
13715 Alton Pkwy • Irvine • CA • 92618
Tel: 949.610.0008 • www.RFdigital.com
Email: support@rfdigital.com

ATMEL
ATMEGA164
Instant Solutions
Wireless RF Module
RFD21820

RFDP8 INTERFERENCE IMMUNITY PROTOCOL

RF Digital's RFDP8 proprietary patent-pending frequency agility protocol operates in the internationally accepted 2.4 GHz band.

The RFDP8's leading-edge advanced algorithm is not burdened by a heavy-weight stack as is Bluetooth, ZigBee, WLAN and other protocols, which are well suited for cross-manufacturer interoperability.

The RFDP8 protocol is highly robust and effective where there is a need to penetrate through a high saturation of RF noise which is common in nearly all environments today. It is especially effective and can easily coexist in heavy WiFi environments, which very few technologies can do successfully without the need of excessive processing power.

The protocol strategically changes channels frequently to deliver its payload to the destination device reliably, yet not too excessively as to demand too much internal processing power which allows it to run with a very low current consumption profile and fast start up times allowing substantial flexibility with implementation.

The RFDP8 protocol reduces the amount of on-air traffic and unnecessary chatter due to its unique and highly efficient design, which does not require bilateral registration and association as do many other technologies today.

The RFDP8 does not require ack-nacks to complete a packet delivery, its unique technique of packet delivery, recovery and correction allows it to work as a one-way link, hence drastically simplifying users' applications which always results in more a robust wireless system.



The RFDP8 protocol combined with RF Digital's leading-edge RF Module hardware delivers a highly robust method of delivering user data from point to point, point to multi-point or multi-point to multi-point, transmitter-receiver, transceiver, serial or switch on/off data modes.

The protocol is designed to work seamlessly with RF Digital's hardware modules, the combination results in ultra long range at ultra low currents without concern for compliance approvals since modules such as the RFD21733 come with IC and FCC Approval and Certification for USA and have passed CE - ETSI emission testing for European requirements.

The RFDP8 protocol adds several dB of range gain passively through it's advanced data recovery technique which pulls valid data out of a noisy environment adding effective gain which results in more range, delivering the net result, which is a very robust wireless system.

All of this is built into the overhead of the RFDP8 protocol and RF Digital modules, so it's all done behind the scenes, allowing the user to focus on building their application and simply putting data into the radio device as a wireless pipe and easily receiving it on the other end.

© Copyright, RF Digital
 3/9/2012 12:00 AM
 Patents Pending
 RoHS CE • ESTI
 RFD21733 • FCC • IC
 Approved & Certified



13715 Alton Pkwy • Irvine • CA • 92618
 Tel: 949.610.0008 • www.RFdigital.com
 Email: support@rfdigital.com

ATMEL
 ATMEGA164
 Instant Solutions
 Wireless RF Module
RFD21820

FEATURES

- WiFi interference tolerant.
- Heavy 2.4 GHz noise and interference tolerant.
- Motor noise and interference tolerant.
- Very low cost.
- No external parts required.
- No RF layout required.
- Easy and ready-to-use, hand-held, eval and application boards available.
- Fully contained, truly finished, ready to use module.
- CE / ETSI / IC & FCC Certified and Approved.
- Typical range: 500 feet (150 meters): RFD21733 MODULE.
- Worldwide 2.4GHz ISM band operation.
- User configurable without need for any programming the radio.
- Zero Current low power mode.
- Only 14mA current consumption at 0dbm TX and 17mA at RX.
- Built-in 16 bit CRC data accuracy verification.
- Only 3mS turn on time.
- Each module has 32 bit unique factory ESN(4 billion combination security).
- Flexible network modes, including broadcast and individual addressing.
- Optional version available for use with external antenna (RFD21735).
- Switch on/off, logic, remote-control without the need for an external controller.
- Switch nodes individually addressable without the need for an external controller.
- Wide supply range +1.9V to +3.6V for the radio.
- Built-in, high performance internal miniature antenna (RFD21733).
- Peer to Peer (Ad-Hoc) networks and configurations.
- Point to Multi-Point networks and configurations.
- Multi-Point to Multi-Point networks and configurations.
- Selective addressing of any module by using factory built-in ESN.
- Fast-turn-around, minimal latency (20 millisecond).
- Patent pending RFD21820 interference tolerant protocol.
- Full application protocol runs transparent to the user.
- Easy to use, simple to design in.
- Stores up to 60 ESNs (Electronic Serial Numbers) for network modes.
- Many to one data modes ideal for multi-point data acquisition.
- Unlimited number of module nodes can communicate to each other.
- Standard 0.100 (2.54mm) pitch connector plugs into any breadboard.

TYPICAL APPLICATIONS

- | | | | |
|------------------------|------------------------|-----------------------|-------------------------|
| • Active RFID | • PC Keyboard Security | • Remote Terminals | • Keyfob Remotes |
| • Long Range RFID | • Wireless Keyboard | • Wireless RS232 DB9 | • Industrial Controls |
| • Remote Control | • Wireless Mouse | • Wireless RS485 | • Vending Machines |
| • Light Controls | • TV Remote | • Temperature Control | • Pan-Tilt-Zoom Control |
| • Home Automation | • Home Stereo Remote | • HV/AC | • Camera Flash Control |
| • Alarm Security | • Asset Tracking | • Meter Reading | • Biometrics |
| • Keyless Entry | • Wireless PTT | • Data Acquisition | • Seismic Monitoring |
| • Perimeter Monitoring | • Remote Switches | • Inventory Control | • M2M & many more... |

ORDER NOW OnLine: <http://www.RFdigital.com>

© Copyright, RF Digital
3/9/2012 12:00 AM
Patents Pending
RoHS CE • ESTI
RFD21733 • FCC • IC
Approved & Certified



ATMEL
ATMEGA164
Instant Solutions
Wireless RF Module
RFD21820

FCC Compliance Information

The RFD21733 is IC and FCC Modular Approved and Certified, therefore for use of the RFD21733 module in your product does not require further IC or FCC testing. Detail instructions and IC and FCC notices shown later in this data sheet. Any modifications made to the RFD21733 will void the IC and FCC Approval and Certification. The RFD21733 has an integrated on-board chip antenna. You simply include the RFD21733 in your product and follow the IC and FCC notices and information below and place the appropriate label on your product to indicate that it includes an IC and FCC approved module and no further testing would be required for the module.

The RFD21735 is NOT IC or FCC Approved. However it is exactly the same as the RFD21733 except it does not have an internal antenna and is built to allow a user to apply their own antenna of choice. Any type of 2.4 GHz antenna may be used. Once you include the RFD21735 into your product and your chosen antenna is connected, then your whole product is tested by an approved IC or FCC compliance laboratory and you receive your own grant for your whole product which includes the RFD21735. This procedure is somewhat costly and time consuming and therefore the RFD21733 is the primary choice by many engineers. The RFD21735 is typically used if you must have an external antenna, however we always recommend first looking at the RFD21743 which already has an FCC Approval and is in the form of an external antenna.

The RFD21743 is FCC Modular Approved and Certified, therefore for use of the RFD21743 module in your product does not require further FCC testing. Detail instructions and FCC notices shown later in this data sheet. Any modifications made to the RFD21743 will void the FCC Approval and Certification. The RFD21743 has an integrated antenna. You simply include the RFD21743 in your product and follow the FCC notices and information below and place the appropriate label on your product to indicate that it includes an FCC approved module and no further testing would be required for the module.

The RFDANT RFD21743 is a great alternative to needing to get your own FCC approval with the RFD21735 combined with your own antenna. The RFD21743 has an excellent antenna pattern which provides about 4 times more range than a RFD21733 and does not require mounting to your PCB since it has its own antenna enclosure. More details about it below in this data sheet. It should be considered before starting your design with an RFD21735 and your own external antenna, since it accomplishes the same task without the need for further compliance approvals.

CE, ETSI Compliance Information

The RFD21733, RFD21735, RFD21742 and RFD21743 are CE (ETSI) Tested. See declaration of can be found conformity later in this document.

RFDP8 Firmware

RF Digital offers firmware for the RFD21733, RFD21735, RFD21742, RFD21743 which meet many common user requirements. The firmware and a unique identifier are pre-programmed and tested at the factory. The programmed module is therefore immediately ready for use upon delivery.

The RFDP8 firmware use the 3 mode select inputs to select the operating mode. These inputs are sampled when the module powers-on. Some of the operating modes have additional options which are described in the section for that mode.

The RFDP8 firmware cannot be modified by the user. For applications that require alternative functionality, contact RF Digital for information about custom firmware to fit your specific requirements.

ORDER NOW OnLine: <http://www.RFdigital.com>

© Copyright, RF Digital
 3/9/2012 12:00 AM
 Patents Pending
 RoHS CE • ESTI
 RFD21733 • FCC • IC
 Approved & Certified

RF DIGITAL
 C O R P O R A T I O N
 13715 Alton Pkwy • Irvine • CA • 92618
 Tel: 949.610.0008 • www.RFdigital.com
 Email: support@rfdigital.com

ATMEL
 ATMEGA164
 Instant Solutions
 Wireless RF Module
RFD21820

Electrical Characteristics of RFD21733 RF Module on-board

Operating Conditions

Notes	Parameter	Minimum	Typical	Maximum
	VDD Supply voltage	1.9V	3.0V	3.6V
	Supply Rise Time	1 μ S		50mS
	Operating Temperature	-40°C		+85°C
	Input High Voltage	VDD x 0.7		VDD
	Input Low Voltage	VSS		VDD x 0.3
	Output High Voltage (@ 0.5mA)	VDD - 0.7V		VDD
	Output Low Voltage (@ 0.5mA)	VSS		0.3V
	Internal CPU Controlled Pull-Ups	11k ohm	13k ohm	16k ohm
RFDP8 M0 Pin **	Internal CPU Controlled Pull-Downs	11k ohm	13k ohm	16k ohm
	Power Up Time – Ready to Transmit		3mS	
	Power Up Time – Ready to Receive		3mS	
	After Reset – Ready to Transmit		3mS	
	After Reset – Ready to Receive		3mS	

** Note (RFDP8 M0 Pin) The RFDP8 Modules and RFDANTS have 3 pins used to set the mode the device will go into after reset or power up. These pins are called M2, M1 and M0. M0 pin is the low order pin. At power up or when the module comes out of reset, the module will internally apply a 13k pull down on this pin just for an instant to check if it is high or not. After the mode selection test, which is done just once at start up lasts just microseconds. This is done like this to allow you to have an optional external switch to select between mode 0 and mode 1 without drawing extra current through an external pull down resistor which would statically be there all the time.

Power Consumption

Conditions: VDD = 3.0V, T_A = +25°C

Logic Transmitter

Parameter	Minimum	Typical	Maximum
Ultra-low power mode - background - Switch Logic Transmitter		2 μ A	

UART or Switch Logic Transmitter / Receiver

Parameter	Minimum	Typical	Maximum
Listening - Receiving		17mA	
Transmitting		14mA	

Reference ATMEGA164A-MU datasheet for controller specifications:
<http://www.atmel.com/Images/doc8272.pdf>

ORDER NOW OnLine: <http://www.RFdigital.com>

© Copyright, RF Digital
3/9/2012 12:00 AM
Patents Pending
RoHS CE • ESTI
RFD21733 • FCC • IC
Approved & Certified

RF DIGITAL
C O R P O R A T I O N
13715 Alton Pkwy • Irvine • CA • 92618
Tel: 949.610.0008 • www.RFdigital.com
Email: support@rfdigital.com

ATMEL
ATMEGA164
Instant Solutions
Wireless RF Module
RFD21820

IC Only applies to modules which show “IC: 6992A-24” on the shield (top).

Modules which do not show IC: 6992A-24 on the shield are NOT certified for use in Canada. RFD21733 modules with date codes before “1120” (20th week of 2011) are not Industry Canada approved.

IC NOTICE

Relating to Model Number R24 (RFD Stock Code: RFD21733)

The unit should have a permanently attached label in a conspicuous location with the following statement:

Contains IC: 6992A-24

NOTES:

1. Industry Canada does not specify the size of the label or the lettering thereon. The only requirement is that the text be legible.

© Copyright, RF Digital
3/9/2012 12:00 AM
Patents Pending
RoHS CE • ESTI
RFD21733 • FCC • IC
Approved & Certified

RF DIGITAL
C O R P O R A T I O N
13715 Alton Pkwy • Irvine • CA • 92618
Tel: 949.610.0008 • www.RFdigital.com
Email: support@rfdigital.com

ATMEL
ATMEGA164
Instant Solutions
Wireless RF Module
RFD21820

INDUSTRY CANADA INFORMATION

Relating to Model Number R24 (RFD Stock Code: RFD21733)

Under Industry Canada regulations, this radio transmitter may only operate using an antenna of a type and maximum (or lesser) gain approved for the transmitter by Industry Canada. To reduce potential radio interference to other users, the antenna type and its gain should be so chosen that the equivalent isotropically radiated power (e.i.r.p.) is not more than that necessary for successful communication.

This device complies with Industry Canada licence-exempt RSS standard(s). Operation is subject to the following two conditions: (1) this device may not cause interference, and (2) this device must accept any interference, including interference that may cause undesired operation of the device.

Conformément à la réglementation d'Industrie Canada, le présent émetteur radio peut fonctionner avec une antenne d'un type et d'un gain maximal (ou inférieur) approuvé pour l'émetteur par Industrie Canada. Dans le but de réduire les risques de brouillage radioélectrique à l'intention des autres utilisateurs, il faut choisir le type d'antenne et son gain de sorte que la puissance isotrope rayonnée équivalente (p.i.r.e.) ne dépasse pas l'intensité nécessaire à l'établissement d'une communication satisfaisante.

Le présent appareil est conforme aux CNR d'Industrie Canada applicables aux appareils radio exempts de licence. L'exploitation est autorisée aux deux conditions suivantes : (1) l'appareil ne doit pas produire de brouillage, et (2) l'utilisateur de l'appareil doit accepter tout brouillage radioélectrique subi, même si le brouillage est susceptible d'en compromettre le fonctionnement.

© Copyright, RF Digital
3/9/2012 12:00 AM
Patents Pending
RoHS CE • ESTI
RFD21733 • FCC • IC
Approved & Certified

RF DIGITAL
C O R P O R A T I O N
13715 Alton Pkwy • Irvine • CA • 92618
Tel: 949.610.0008 • www.RFdigital.com
Email: support@rfdigital.com

ATMEL
ATMEGA164
Instant Solutions
Wireless RF Module
RFD21820

FCC NOTICE

Relating to Model Number R24 (RFD Stock Code: RFD21733)

The unit should have a permanently attached label in a conspicuous location with the following statement:

Contains FCC ID: UYI24

**This device complies with Part 15 of the FCC Rules.
Operation is subject to the following two conditions:**

- (1) This device may not cause harmful interference and**
- (2) this device must accept any interference received, including interference that may cause undesired operation.**

NOTES:

1. *The FCC does not specify the size of the label or the lettering thereon. The only requirement is that the text be legible.*

2. *If the entire label can not be placed on the unit due to space constraint, only FCC ID may be displayed on the unit. In such cases, the compliance statement will have to be included in the "user's manual". NOTE: Device must be smaller than a man's palm.*

*** If the unit also interfaces with phone line, it requires additional information on the label - refer to part 68 information ***

ORDER NOW OnLine: <http://www.RFdigital.com>

© Copyright, RF Digital
3/9/2012 12:00 AM
Patents Pending
RoHS CE • ESTI
RFD21733 • FCC • IC
Approved & Certified

RF DIGITAL
C O R P O R A T I O N
13715 Alton Pkwy • Irvine • CA • 92618
Tel: 949.610.0008 • www.RFdigital.com
Email: support@rfdigital.com

ATMEL
ATMEGA164
Instant Solutions
Wireless RF Module
RFD21820

SAMPLE FCC STATEMENT TO BE INCLUDED IN USER'S MANUAL

Relating to Model Number R24 (RFD Stock Code: RFD21733)

INSTRUCTION TO THE USER (if device DOES NOT contain a digital device)

The user is cautioned that changes or modifications not expressly approved by the party responsible for compliance could void the user's authority to operate this equipment.

INSTRUCTION TO THE USER (if device contains a digital device)

This equipment has been tested and found to comply with the limits for a class B digital device, pursuant to part 15 of the FCC Rules. These limits are designed to provide reasonable protection against harmful interference in a residential installation. This equipment generates, uses and can radiate radio frequency energy and if not installed and used in accordance with the instructions, may cause harmful interference to radio communications. However, there is no guarantee that interference will not occur in a particular installation. If this equipment does cause harmful interference to radio or television reception, which can be determined by turning the equipment off and on, the user is encouraged to try to correct the interference by one or more of the following measures:

- * Reorient or relocate the receiving antenna.*
- * Increase the separation between the equipment and receiver.*
- * Connect the equipment into an outlet on a circuit different from that to which the receiver is connected.*
- * Consult the dealer or an experienced radio/TV technician for help.*

In order to maintain compliance with FCC regulations, shielded cables must be used with this equipment. Operation with non-approved equipment or unshielded cables is likely to result in interference to radio and TV reception. The user is cautioned that changes and modifications made to the equipment without the approval of manufacturer could void the user's authority to operate this equipment.

ORDER NOW OnLine: <http://www.RFdigital.com>

© Copyright, RF Digital
3/9/2012 12:00 AM
Patents Pending
RoHS CE • ESTI
RFD21733 • FCC • IC
Approved & Certified

RF DIGITAL
C O R P O R A T I O N
13715 Alton Pkwy • Irvine • CA • 92618
Tel: 949.610.0008 • www.RFdigital.com
Email: support@rfdigital.com

ATMEL
ATMEGA164
Instant Solutions
Wireless RF Module
RFD21820

FCC NOTICE

Relating to Model Number RFDANT (RFD Stock Code: RFD21743)

LABELING REQUIREMENT FOR USA FCC CERTIFICATION

This device has a modular approval from the FCC. You must place the following label outside, on your product in an obvious location.

Permanently attached label in a conspicuous location with the following statement:

This device contains FCC ID: UYI-RFDANT RF module that complies with Part 15 of the FCC Rules. Operation is subject to the following two conditions:

- (1) This device may not cause harmful interference and**
- (2) this device must accept any interference received, including interference that may cause undesired operation.**

NOTES:

1. The FCC does not specify the size of the label or the lettering thereon. The only requirement is that the text be legible.

2. If the entire label can not be placed on the unit due to space constraint (e.g. Pacemaker), only "contains an FCC ID: UYI-RFDANT" may be displayed on the unit. In such cases, the compliance statement will have to be included in the "instruction to the user."

****** It is the users responsibility to determine if their device requires additional approvals ******

ORDER NOW OnLine: <http://www.RFdigital.com>

© Copyright, RF Digital
3/9/2012 12:00 AM
Patents Pending
RoHS CE • ESTI
RFD21733 • FCC • IC
Approved & Certified

RF DIGITAL
C O R P O R A T I O N
13715 Alton Pkwy • Irvine • CA • 92618
Tel: 949.610.0008 • www.RFdigital.com
Email: support@rfdigital.com

ATMEL
ATMEGA164
Instant Solutions
Wireless RF Module
RFD21820

SAMPLE FCC STATEMENT TO BE INCLUDED IN USER'S MANUAL

Relating to Model Number RFDANT (RFD Stock Code: RFD21743)

INSTRUCTION TO THE USER (if device contains a digital device)

This equipment has been tested and found to comply with the limits for a class B digital device, pursuant to part 15 of the FCC Rules. These limits are designed to provide reasonable protection against harmful interference in a residential installation. This equipment generates, uses and can radiate radio frequency energy and if not installed and used in accordance with the instructions, may cause harmful interference to radio communications. However, there is no guarantee that interference will not occur in a particular installation. If this equipment does cause harmful interference to radio or television reception, which can be determined by turning the equipment off and on, the user is encouraged to try to correct the interference by one or more of the following measures:

- * Reorient or relocate the receiving antenna.*
- * Increase the separation between the equipment and receiver.*
- * Connect the equipment into an outlet on a circuit different from that to which the receiver is connected.*
- * Consult the dealer or an experienced radio/TV technician for help.*

The user is cautioned that changes and modifications made to the equipment without the approval of manufacturer could void the user's authority to operate this equipment.

© Copyright, RF Digital
3/9/2012 12:00 AM
Patents Pending
RoHS CE • ESTI
RFD21733 • FCC • IC
Approved & Certified

RF DIGITAL
C O R P O R A T I O N
13715 Alton Pkwy • Irvine • CA • 92618
Tel: 949.610.0008 • www.RFdigital.com
Email: support@rfdigital.com

ATMEL
ATMEGA164
Instant Solutions
Wireless RF Module
RFD21820

RoHS Declaration Of Conformity

February 28, 2012

RF Digital declares that part numbers

- RFD21733
- RFD21735
- RFD21742
- RFD21743
- RFD21783
- RFD21791
- RFD21807
- RFD21820
- RFD21830
- RFD21840
- RFD21850

are manufactured with RoHS materials.

© Copyright, RF Digital
3/9/2012 12:00 AM
Patents Pending
RoHS CE • ESTI
RFD21733 • FCC • IC
Approved & Certified

RF DIGITAL
C O R P O R A T I O N
13715 Alton Pkwy • Irvine • CA • 92618
Tel: 949.610.0008 • www.RFdigital.com
Email: support@rfdigital.com

ATMEL
ATMEGA164
Instant Solutions
Wireless RF Module
RFD21820

DECLARATION OF CONFORMITY

February 28, 2012

RF Digital declares that part numbers

- RFD21733
- RFD21735
- RFD21742
- RFD21743
- RFD21783
- RFD21791
- RFD21807
- RFD21820
- RFD21830
- RFD21840
- RFD21850

comply with ETSI EN 300 440-2 power requirements

as called out in the R&TTE V1.2.1 Directive

Technical documents for the above mentioned part numbers are held at
RF Digital Corporation
13715 Alton Pkwy.
Irvine, CA 92618

© Copyright, RF Digital
3/9/2012 12:00 AM
Patents Pending
RoHS CE • ESTI
RFD21733 • FCC • IC
Approved & Certified

RF DIGITAL
C O R P O R A T I O N
13715 Alton Pkwy • Irvine • CA • 92618
Tel: 949.610.0008 • www.RFdigital.com
Email: support@rfdigital.com

ATMEL
ATMEGA164
Instant Solutions
Wireless RF Module
RFD21820

Washing

These devices are NOT washable.

Use no-clean flux, leaded or lead-free. If you attempt to wash the modules, water will enter beneath (inside) the RF shield and get trapped, which may cause device failure or damage once powered on. There is no way to make sure all water has been removed before powering the module so do NOT wash the modules.

Potting, Encapsulation and Conformal Coating

Do NOT pot or conformal coat these devices.

If you plan on encapsulating the RFD21733 or RFD21735 in a potting compound or conformal coating, you must assure that the compound in liquid or solid form does not enter under the shield where there are sensitive RF components. Some of the capacitive values are as low as half a picofarad and sensitive to contacting materials such as potting compounds. There are potting compounds and conformal coatings which have very good dielectric constants and are suitable for 2.4 GHz potting applications, however, when you apply any of these, they were accounted for in the circuit design and might reduce performance of the device or all together cause it not to function.

Applying any compound, conformal coating or potting directly to the module voids any and all warranty and support service.

If your application requires 100% sealing of the module, there is a way to do this very successfully without impacting the module performance. Simply place the module on your PCB. Place a plastic cover over the module (like a hat), make the cover large enough to cover the whole module. Apply glue around the bottom perimeter of the cover where it sits on the PCB. This allows the module to function in free airspace while there is a complete seal around it. This information is only for reference and you should do your own testing with your application to find the best suitable fit for your own design.

Important Notice

RF Digital reserves the right to make corrections, modifications, and/or improvements to the product and/or its specifications at any time without notice.

RF Digital assumes no liability for the user's product and/or applications.

RF Digital products are not authorized for use in safety-critical applications, including but not limited to life-support applications.

RF Digital assumes no liability for parts or their application beyond replacement or refunding the original purchase price.

ORDER NOW OnLine: <http://www.RFdigital.com>

© Copyright, RF Digital
3/9/2012 12:00 AM
Patents Pending
RoHS CE • ESTI
RFD21733 • FCC • IC
Approved & Certified



ATMEL
ATMEGA164
Instant Solutions
Wireless RF Module
RFD21820

All trademarks and trade names belong to their respective owners.

Information provided in this document is for reference only. The user must conduct testing and prototyping on their own for their own application. This document only provides an example of a possible use for the parts shown in this design and requires actual testing to confirm its accuracy or validity or proper application. There is NO suggestion that the devices shown in this document should be used for the implied application. There is no guarantee or warranty of suitability for any specific application. The information disclosed in this document is AS-IS. By using any information contained in this document you are assuming all risks and liability associated therewith. RF Digital reserves the right to make corrections, modifications, changes and/or improvements to specifications or details at any time without notice or obligation. RF Digital assumes no liability for the user's product and/or applications. RF Digital products are not authorized for use in safety-critical applications, including but not limited to life-support applications. RF Digital assumes no liability for parts or their application beyond replacement or refunding the original purchase price paid to RF Digital.

Limited Product Warranty

RF Digital warrants that RF Devices manufactured by RF Digital are free from defects in material and workmanship, for Ninety (90) Days from date of delivery. RF Devices covered by this warranty and returned to RF Digital within the Ninety Day Warranty Period will be eligible for replacement, repair, or credit, limited to the amount RF Digital was paid for the RF Device. To obtain a remedy under this Warranty, the following conditions must be met: (1) Customer must notify RF Digital in writing promptly on discovery of the deficiency with reasonable detail within the Warranty Period; (2) Customer must return the RF Devices to RF Digital promptly upon receipt of an RMA from RF Digital, at Customer's risk and expense; and (3) RF Digital confirms the claimed deficiency is present. If all of these conditions are met, RF Digital, at its sole option, will either replace or repair the RF Device or credit Customer's account for the amount the Customer paid to RF Digital for the RF Device.

End of document.