



	Section
Introduction / Warranty / Body Construction	1
Motorhome Code	2
Preparing for the Road	3
On the Road	4
Arrival on Site	5
Safety & Security	6
Connection of Services	7
Technical Specification	8
Fitted Equipment	9
Care of your Motorhome	10
Useful Information	11
Service Section	12
Index	13



Welcome.

Congratulations on your purchase of an Auto-Sleeper motorhome. We are confident it will give you many years of pleasure.

This handbook has been compiled to enable you to obtain the maximum pleasure from your vehicle. It contains the appliance instructions along with advice on safety matters.

Please read this Handbook thoroughly so that you are conversant with all the motorhome systems, operating instructions and precautions.

Failure to observe these recommendations or precautions may result in incorrect operation of equipment and subsequent risk to occupants.

Information leaflets and literature on safe operation of appliances and equipment fitted to your motorhome are included in the Auto-Sleeper Customer Pack. Please read these carefully prior to use.

Should you experience any difficulties contact your dealer who will be pleased to offer advice.

It is the policy of Peugeot and Auto-Sleeper to continually improve their vehicles, so whilst the details contained in this Handbook are correct at the time of going to press, they reserve the right to alter the specifications at any time without notice.

Auto-Sleeper motorhomes offer a variety of customer uses and whilst each vehicle features the optimum storage, fluid, seating and sleeping capabilities, it is the customer's responsibility to select the proper combinations of loads without exceeding weight capacities.

Your Auto-Sleeper motorhome conforms to the European standard of EN 1646.

Model

This Handbook covers all versions of the Broadway, based on the Peugeot Boxer 335 L2 medium wheelbase chassis cab.

Gas System

This handbook is for use on vehicles with a 30mbar gas system. The gas system pressure is noted on a label in the gas locker.

Conversion Type

Coach-built conversion, two or four berth. Laminated panel and glass-fibre combination. Insulated panels have GRP outer skin.

Climatic Conditions

Your motorhome is designed for use in temperate climates, and has insulation levels to Grade 3 in accordance with EN 1646-1:2004.

Handbook

Any queries should be addressed to your Auto-Sleeper dealer.

Appliance Instructions

The appliance instructions included have been extracted from those supplied from the appliance manufacturers.

Automotive - Peugeot

For all automotive matters you should refer to the Peugeot vehicle instructions manual. This includes tyre pressures, referring to the type of tyres fitted.

The Auto-Sleeper conversion does not affect the tyre pressures in any way as it is built within the design envelope of the base vehicle.

IMPORTANT:

In the interests of safety, replacements parts for appliances must conform to the manufacturer's specification and should be fitted by them or an authorised agent.

Your Auto-Sleeper conforms to the CEN Standard EN1646-1/2004 for habitation requirements relating to Health and Safety.

To deal with your queries efficiently, always quote your vehicle's production number



which can be found in the glove compartment.

Please read and complete the warranty registration card supplied with your vehicle; and return to the address below, without delay.

Auto-Sleepers Limited,

Orchard Works,

Willersey,

Nr Broadway,

Worcestershire

WR12 7QF

Tele: 01386 853338

Fax: 01386 858343

E-mail: aftersales@auto-sleepers.co.uk



AUTO-SLEEPERS WARRANTY

Warranty Registration

The supplying dealer's representative and the purchaser must sign the declaration in the Warranty/Service book to verify that the dealer has explained the warranty terms and conditions and that the purchaser understands them.

The dealer must then register the sale on the Auto-Sleepers warranty system to activate the cover.

Warranty Terms and Conditions

For full details of the warranty terms and conditions, please refer to the Warranty/Service handbook supplied with your Auto-Sleeper.



BODY CONSTRUCTION:

Side Walls: GRP - Fiat White.

Floor Vinyl: Dark Wood Block CL0213.

Furniture: Amati Walnut.

Furniture fittings: Chrome.

Work Surfaces finish: Slate.

Table finish: Slate.

Carpet: Mocha.

Curtains, Cushions/Upholstery: Crystal,
various colours.

Exterior Graphics:

EK models, BS1762/11 + BS1762/11R.

EL models, BS1772/11 + BS1762/11R.

EB models, BS1762/11N.



THE COUNTRY & COASTAL CODES

Upon arrival at your destination you should be aware of the Country Code relating to motorhome owners. This is entitled the *Motor Caravanners' Code*.

Code of Conduct - Camp Sites

Arrivals

- Report to reception immediately on arrival.

Vehicle Movement

- Keep to roadways unless otherwise directed.
- Adhere to speed limits. Note that these are generally 10 mph. (Remember that the stopping distance on grass is considerably greater than on tarmac).
- Only a person in possession of a current driving licence may drive on the site.
- Park correctly as advised on your pitch. Where possible leave 20ft of free space around your vehicle.

Use of Site

- Use the electrical mains hook-up in the correct manner and with caution.
- Ensure that all fresh water taps/connections are turned off after use.
- Have care and consideration when using all facilities (toilets and showers etc.) and leave them clean and tidy. Young children should be escorted.

To avoid possible damage to sewage purification works, only approved chemical fluids must be used. Under no circumstances may coal tar, phenol or caustic-based fluids be used. Disposable napkins and similar bulky items must not be put into chemical closet emptying points but should be wrapped in a polythene bag and placed in the container provided. (Put all litter in containers marked for the purpose).

Noise

- Do not make excessive noise.
- Children should be restrained from making excessive noise.

- Flying kites and model aircraft and the use of items like catapults or air-guns as well as ball games should not be permitted among, or close to, motorhomes.
- Musical instruments, record players, radios and televisions should not be used to the inconvenience of other people on site.
- Open and close doors quietly.
- Power generators must be adequately silenced and used with consideration and according to the restricted site times..

Dogs and Pets

- All dogs and other pets should be kept under control.
- Unless permission has been granted, no animal should be allowed loose on the site and leads must not exceed 10ft.
- No animal should be allowed in the shower/toilet blocks.
- Do not let dogs foul the site.

Fire Precautions

Adhere to and make note of all fire precautions concerning the whereabouts of the fire points.

Although not compulsory, it is recommended that a 1 kg (2lb) dry powder fire extinguisher is carried. It should comply with BS 5423 and be marked BSI or FOC approved. It is important to check at regular intervals that the extinguisher is working as is required by types meeting BS 5423.

Careful thought is necessary for the positioning of the extinguisher, which should be near the door but not too close to the cooking equipment where sudden flames could make it unreachable. In the kitchen area, a fire blanket is a worthwhile precaution.

Unless permission has been granted, barbecues should not be used. When permission has been given, consideration should be given to the annoyance that can be caused to other users of the site. Open fires are not allowed.



Awnings and Tents

Awnings and tents should only be used when permission has been obtained.

When on grass and staying for more than a few days, the ground sheet and/or side flaps of awnings should be periodically raised in order to avoid damage to the ground.

Departure

- Leave the pitch clean and tidy.
- On leaving, check out with the reception paying the required dues.

Wild camping

Camping away from licensed sites, without the permission of the landowner or his agent, is not allowed in the United Kingdom. When permission has been granted, all aspects of this Code should be adhered to.

On no accounts should:

- Litter be disposed of other than in receptacles provided.
- Water be allowed to escape from the vehicle.
- Chemical toilets be emptied except into the disposal places agreed with the landowner.
- Washing or similar be hung outside the vehicle.

Parking

Motorhomes should only be parked in approved places.

When using the facilities of a motorhome at such times, care and consideration should be given to those around them.

Driving

When using a motorhome on either the public highway or private road, the Highway Code should be complied with and full consideration given to other road users.

In the event of a motorhome travelling slowly and there being a queue of traffic behind, the driver of the motorhome should, where possible, pull over in order to let the other traffic pass.

When the vehicle is in motion it is compulsory

that all passengers are seated and seat restraint straps worn.

Before moving off, elevating roofs **MUST** be lowered and correctly secured, and top hinged windows closed. Likewise all doors and access lockers for gas containers and chemical toilets must be properly closed.

Exterior steps should be properly retracted and secured.

When the vehicle is being refuelled, or on a ferry, all gas systems must be turned off.

Gas appliances should only be used when the vehicle is in motion when the manufacturer of the appliance permits such use.

Handbook

Before using a motorhome all aspects of the handbooks produced by the chassis manufacturer and the converter must be read and adhered to.

Environment

Care and consideration should be taken to protect the environment.

Observe the Country and Coastal Codes shown below:

The Country Code

Enjoy the countryside but respect its life and work.

More people than ever before are exploring the countryside, interested in farming, plant life, bird watching or just observing the general wildlife. Whatever your interest, there is a lot to learn, but please observe the following code.

Guard against all risk of fires. Hay and heath land catch alight easily and once ablaze are very hard to put out. *Remember: Fire Spreads Quickly.*

- Keep to public paths across farmland.
- Use gates and stiles to cross fences, hedges and walls.
- Leave livestock, crops and machinery alone. View from a distance.
- Take your litter home - it is unsightly and harmful to wildlife.



- Help to keep all water clean.
- Take special care of country roads.
- Make no unnecessary noise. Most animals are very timid, noises can disturb them unnecessarily. If you want to get the best out of the country, go quietly.

The Coastal Code

As our coastlines are increasingly used for recreation and education, the following suggestions are made to enable us to enjoy our inheritance and preserve it for posterity.

- Do not trample about, or move rocks unnecessarily.
- Do not frighten seals or seabirds.
- Do not spear fish.
- Do not spill detergents, solvents or fuel from boats as these can kill marine life.
- When sailing, moderate your speed - the wash from a fast boat can destroy banks and nests.
- Live mollusks and crustaceans need not be collected as souvenirs - dead shells can usually be found.
- Shellfish can take years to grow and fines can be imposed for not observing national regulations.
- Do not pull up seaweed unnecessarily.
- Make your visit instructive - not destructive.
- Look at material, don't remove it. Take notes and photographs, not specimens.
- Observe bye-laws and be considerate to others.
- National Trust property or Country Parks have regulations to protect the wildlife. Follow these.

Fire Precautions

You should also make yourself aware of the local fire regulations.



YOUR MOTORHOME (Weights explained)

Mass in Running Order (MRO)

The weight of your motorhome as it leaves the factory, as new with standard fixtures and fittings, plus an allowance for driver and 90% fuel.

Maximum Technically Permissible Laden Mass (MTPLM)

The maximum weight of the vehicle when fully laden for use on the road. See specification section for actual figure.

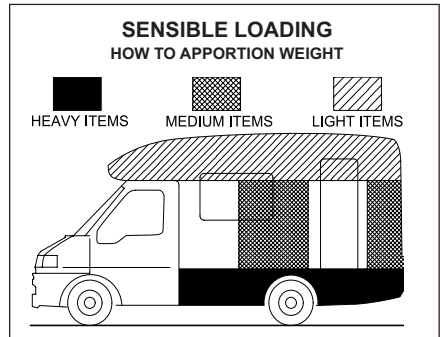
User Payload

The load margin (payload), this represents the difference between the Mass in Running Order (MRO) and the Maximum Technically Permissible Laden Mass (MTPLM). It shows the maximum weight which can be loaded into your motorhome, covering items such as food, crockery, cutlery, clothing, bedding, gas cylinders, etc. See Technical Specification for actual figure.

Please take care to ensure that you have allowed for the masses of all items you intend to carry in the motorhome, e.g.. passengers, optional equipment, essential habitation equipment and personal effects such as clothing, food, pets, bicycles etc.

Although there are additional seat belts within the motorhome, please refer to the stated number of passengers that are allowed due to the MRO and MTPLM.

LOADING AND DISTRIBUTION OF WEIGHT IN THE MOTORHOME



Loading

Correct weight distribution is a major factor in making your motorhome a balanced and pleasant vehicle to drive without compromising road-holding. Care should therefore be taken to ensure that heavy items are well spaced and are in as low a position as possible, for example, low cupboards and bed boxes.

DO NOT EXCEED THE STATED MAXIMUM LOAD. ITEMS FITTED OTHER THAN STANDARD EQUIPMENT WILL DEplete THE PAYLOAD STATED IN THIS HANDBOOK.

WARNING: Under no circumstances should the maximum permissible laden mass of the motorhome be exceeded.

Roof Loading

DO NOT ALLOW CHILDREN TO CLIMB ONTO THE ROOF.

Roof Rack Bars and Ladder (optional)

When using the optional roof rack, care should be taken to see that all the items are securely anchored. Apart from general cleaning and polishing, the roof rack and ladder require no special maintenance.

WARNING: Take special care when on the roof in wet or frosty weather conditions, which cause it to be particularly slippery.

Maximum load within the area encompassed



by the roof rack should not exceed 75 kgs (165 lbs) with a maximum loading of 8 kg (17 lbs) per square foot.

Before Moving Off

Whenever making a journey with your motorhome, either setting off on holiday or returning home, it is good practice to run through this simple checklist.

1. Close and secure all cupboards and drawers and check any loose articles. Do not store tins, bottles, etc. in overhead lockers.
2. Close and secure all windows and roof lights.
3. Leave all curtains and blinds open to aid visibility.
4. Check that gas cylinders are securely fastened and turn off all gas appliances, except those heating appliances designed to function while the vehicle is in motion. Also, ensure that the gas locker door is securely fastened.
5. Ensure that there is sufficient gas to meet your needs.
6. Switch off 230 volt supply at source, disconnect mains cable from vehicle. Beware of potential electric shock from wet cable. Coil cable and store in a safe place.
7. Check your RCD's/MCB's for operation.
8. Check and if necessary, charge the conversion battery.
9. Check battery selection switch is in the OFF position.
10. Check that the battery is secure and that the battery box lid is fastened.
11. Ensure the fridge is on 12V operation and door lock is set. (**Note:** the electrical relays will allow the fridge to be run on the vehicle battery when the engine is running.)
12. Remove any external fresh water connections etc.
13. Make sure any heavy articles are stored in accordance with the loading procedure. Tables should also be made secure.
14. Lock the motorhome exterior door (remember to take out your keys).
15. Check your external rear view mirrors and adjust if necessary.
16. Check that all corner steadies are wound up and that, if a step is used, it is put away before moving off.
17. Check wheel nuts are secure and tyre pressures are correct.
18. Ensure, if required, that your fresh water tank is full and your waste tank is empty.
19. Referring to your base vehicle manual, check all fluid levels including automotive fuel and tyre pressures. Remember to check that your spare tyre is of the recommended pressure.
20. Ensure that, on models fitted with an elevating roof, the roof is securely locked down with the exterior catches applied.
21. The fridge vent covers should be fitted when the vehicle is to be driven in order to comply with European Type Approval regulations for vehicle external projections.
22. Ensure that the toilet flush tank only contains a small amount of water (1-2 litres) in order to minimise the risks of leaks or spillage whilst the vehicle is in motion.
23. Check underneath the vehicle for stray items.
24. Safely store levelling blocks away in an appropriate place.



Pulling Off

Engage the clutch smoothly.

Avoid wear and tear on clutch and transmission by taking extra care.

Change gears smoothly.

Try not to jerk the clutch.

MOTORWAY DRIVING

Speed Limits (UK)

If a speed limit is not in force, your motorhome can be driven up to 70mph on motorways and dual carriageways.

1. Reduce Speed:
 - i) In high or cross winds.
 - ii) Downhill.
 - iii) In poor visibility.
2. High sided vehicles cause air buffeting, so extra care must be taken when passing or being passed. As much space as possible should be given.

Motorway Handling

Do not bump the kerb with the wheels.

When passing other vehicles allow more than the normal clearance.

Allow longer to get up speed to pass.

Do not swing out suddenly.

Carry out all manoeuvres as smoothly as possible.

Use nearside wing mirror to check motorhome has cleared when overtaking.

Changing a Wheel

Refer to the vehicle handbook

WARNING: Ensure the wheel is of the same construction and size as the one that has been removed.

Jacking

Front and Rear - use the standard jacking points as per the base vehicle handbook.

Removing the Spare Wheel

CAUTION: Exercise care when lowering the wheel frame due to its weight.

Removal

- a. The spare is located beneath the floor at the rear of the vehicle.
- b. Lower the spare wheel using the base vehicle winding mechanism accessible inboard behind the offside rear wheel. Locate the jack winder into the mechanism and turn.

Replacement of Spare Wheel

- a. Replace wheel on retention wire.
- b. Turn winder to pull cable and tyre back into stored position.
- c. Replace tools in toolkit.

Rear Step

Your motorhome has an electrically operated rear step. In the event of the rear step being left extended, a buzzer, positioned behind the dashboard, will sound (when the ignition is switched on) - and will continue to do so until the rear step has been fully retracted.

Changing a Light Bulb

The front and rear marker lights, and the high level brake light, are LED type and should not normally require any attention.

To change other rear light bulbs, ease the lamp from the back panel by pushing up the metal tag at the bottom of the lamp with a screwdriver. Withdraw the lamp and undo the over-centre clip to release the bulbholder. Change the bulb and re-assemble, ensuring that the over-centre clip snaps into its retaining slot. Replace the lamp in the back panel, ensuring that it is the correct way up, with the retaining clip at the bottom.

The side marker lights (where fitted) have a bayonet fixing bulb, accessed by removing the two screws holding the lens and withdrawing the lamp.

Cycle Rack

In order that a cycle rack can be fitted, the rear panel coachwork has been strengthened accordingly. Timber is bonded into the bodywork immediately above the rear light units, laterally across the vehicle. This allows the lower mounting brackets for the Fiamma Pro-C cycle rack to be fitted in a suitably



reinforced area. In the event of a cycle rack being fitted, the cycle rack when folded will increase the vehicle length by 400mm. Your Auto-Sleeper dealer will give further advice or assistance if required.

Whilst Driving

Whilst the vehicle is being driven ensure that:

- Both the passenger and driver wear seat belts - this is a legal requirement.
- Heavy loads are not stored in top cupboards or in areas from which they may become detached. Please ensure that heavy items are stored low down and take care not to overload individual wheels, the axles or the MTPLM.
- Table(s) are stowed in the correct position and table legs secured in their retaining clips.
- Furniture lids are lowered; cupboards and flaps are closed and secured.
- The refrigerator door is closed and secured by its travelling catch.
- The retractable rear step if fitted, is folded away or, if a separate step is supplied, it is safely stowed in the vehicle.
- Roof ventilators are closed and locked in the down position.
- The bathroom is not used whilst the vehicle is in motion. (Note: Refers only to models fitted with shower or toilet compartment).
- Top hinged windows are closed, and securely fastened.
- Children do not roam around the vehicle; they may fall and injure themselves.

Front Seat Swivel (where fitted)

Your vehicle may be fitted with a swivel base to either or both of the front seats, so that they may be turned to face the rear of the vehicle.

The release lever, coloured red, is located at the front of the seat and is pushed downwards to unlock the swivel mechanism.

Note: It may be necessary to lower the handbrake in order to swivel the driver's seat.

In this case, ensure that first gear is engaged and the road wheels are chocked first.

WARNING: It is important that while t'he vehicle is in motion, any seat swivels are locked in the forward facing position.

Map Storage

In the rear of each cab seat there is a map pocket for storage of maps, periodicals and light items.



CHECK SITE REGULATIONS

Siting your Motorhome

When siting your motorhome, keep to the roadways unless otherwise directed. Obey the speed limit which, in general, is 10 mph. Only a person in possession of a current driving licence is permitted to drive on the site. Stopping distances on grass are considerably greater than on tarmac.

Selecting a Pitch

Carefully select where you wish to park your motorhome. The site should be as level as possible, well drained and away from boggy areas and, preferably, not under or near trees. Consider also, how you will move your motorhome when leaving the site. For example, on sloping ground in wet conditions, pitch facing downhill.

Levelling

The optional rear corner steadies, which can be lowered by using the brace supplied, are designed to give greater stability to the vehicle when it is stationary on site. The brace is stored in the wardrobe.

Note: On no account should the rear corner steadies be used to jack up the vehicle when carrying out maintenance or changing a wheel.

It is important to site your motorhome level to ensure correct operation of the refrigeration, cooker, etc. by using purpose made ramps and NOT bricks or such items.

Awning Light

The exterior awning light is controlled by the 'Aux' switch on the electrical control panel.



SAFETY

Important: Your attention is drawn to the notice affixed in the motorhome advising on fire prevention, ventilation and what to do in case of fire.

Children

Do not leave children alone in the motorhome in any event, keep potentially dangerous items out of reach as at home. e.g. matches, drugs, etc.

WARNING: When upper bunks are used by children especially under six years of age care shall be taken against the risk of them falling out.

Fire Extinguishers

It is recommended that a 1 kg (2lb) minimum capacity dry powder fire extinguisher be located by the main exit door at all times.

A pan fire should not have an extinguisher aimed at it but be smothered with a fire blanket (which should be stored by the cooker).

In case of fire

1. Get everyone out of the motorhome as quickly as possible using whichever exit is the quickest including windows. Do not stop to collect any personal items.
2. Raise the alarm — Call the fire brigade.
3. Turn off gas container valve if safe to do so.

Ventilation and Condensation

The ventilation points on your motorhome are fixed points of ventilation which are stated by the European Standards. Under no circumstances must these vents be blocked or obstructed. It is advised that fixed ventilation points and any protective screens are checked and cleaned (if necessary) on a regular basis.

Fresh air circulation should be allowed below the motorhome when appliances are in use and when flues terminate below the floor to allow free evacuation of the products of combustion. At least three sides of the underfloor space should always be kept open and unobstructed especially by snow. Do not

make any additional openings in the floor.

Under no circumstances must these vents be blocked or obstructed.

Additional night time ventilation is obtained by releasing the window catches and placing them in the second groove on the frame catch.

Awnings

There is no danger of pollution of an enclosed awning space by the LPG exhaust from the refrigerator venting into it.

WARNING: Space heaters may produce sufficient exhaust gases to pollute the awning space if it is totally enclosed (from a general comfort, smell, and hygiene point of view). In the extreme case, there could be a build up of carbon dioxide to a dangerous level.

Note: Motorhome owners are advised to allow some fresh air circulation into the awning space when such appliances are in use.



ELECTRICAL SYSTEMS

Batteries

Battery terminals and connectors should be firmly attached. Battery surfaces should be free of moisture and dirt.

Where removable cell taps are fitted these must be screwed firmly home.

When removing a battery always remove the negative cable first. On re-connection the negative cable should be connected last. Switch off all lamps and appliances before disconnecting the battery. Do not smoke while working on or near to the battery.

Fuses

Always replace blown fuses with one of a correct rating.

Overload

Never overload any electrical circuit, especially the 12-volt socket outlet. The rating of appliances should be checked before connection.

Shower Compartment Light

Ensure that water does not ingress into the light unit.

Charger Unit

Keep the charger unit well ventilated and never allow material or bags to be in contact with the unit casing which gets hot when the unit is operating.

230 Volt Mains Operation

Before connecting to the supply, ensure that the contacts in both the plug and the socket are clean and dry and that the hook-up plug is firmly located and locked into the socket. The RCD must be easily accessible at all times.

GENERAL

Before using your Auto-Sleeper, you should be fully conversant with the following safety precautions; if you are in any doubt as to the meaning of any of them you should contact your supplying Auto-Sleeper dealer. Please read the following carefully.

In the interests of safety, replacement parts for appliances should conform to the appliance manufacturer's specification and should be fitted by them or their authorised agent.

WARNINGS:

- 1 Never use portable cooking or heating equipment, other than electric heaters that are not of the direct radiant type, as it is a fire and asphyxiation hazard.**
- 2 Do not use cookers as heaters or dry clothes etc on the cooker or space heater.**
- 3 Make sure that combustible materials can not come into contact with hot surfaces or burners.**
- 4 Surfaces of appliances may become hot in use and the guard provided does not give full protection to the young and elderly.**
- 5 Do not use additional independent gas appliances inside the vehicle.**
- 6 Never allow modifications of electrical or LPG systems or appliances except by qualified technicians.**

The water heater fitted to this vehicle is of the "room sealed" type, any replacement should be the same, i.e. "room sealed".

Turn off all gas equipment and cylinders/tanks and any other heating appliances before travelling.

Ventilation openings are located below all the gas appliances, and in the base of the gas locker. In winter conditions make sure the vents are clear of snow and mud. These openings should be regularly checked and any mesh covering them cleaned with a stiff brush to prevent any risk of them becoming blocked. The openings are provided for your safety - please do not obstruct them.



Air Bags

Do not fit rear-facing children's seats to front facing seat protected by air bags. It is recommended that small children do not sit in the front passenger seat whilst the vehicle is in motion. Follow the advice given in your base vehicle instruction book.

Smoke Alarm

Features

- Battery operated.
- Operating light (LED) flashes approximately every 45 seconds confirming unit is powered.
- Low battery warning. Unit "beeps" approximately every 45 seconds for up to 30 days when the battery needs replacing.
- Sensitivity test button. Tests sensitivity, circuitry, battery, horn (and emergency light, model 350 only).
- Loud 85 decibel Piezo electric alarm. Automatically resets when hazardous condition has passed.

WARNING: Test smoke alarm operation after vehicle has been in storage, before each trip and at least once per week during use.

Your alarm requires one 9 volt battery. Under normal use, the battery should last approximately one year.

Simple maintenance

Vacuum every six months to help keep the unit working efficiently. Open cover and gently vacuum interior of detector. Keep vacuum nozzle from touching the unit.

Problems are indicated by two events:

1. The alarm does not sound upon pressing the test button.
2. The operating light remains steadily on or off (i.e. does not flash approximately once every 45 seconds, when the unit is not in alarm).

Try the following:

1. Inspect for obvious damage.
2. Visually check that unit contains recommended battery type.

3. Check that battery is properly connected.
4. Gently vacuum as recommended above.
5. Replace battery.

If these procedures do not correct the problem, do NOT attempt repairs. Contact the manufacturer.

Carbon Monoxide Alarm

A Fire Angel CO-808 battery operated alarm is fitted near the ceiling on the wardrobe side panel.

Features

- An advanced electrochemical sensor designed to accurately measure low levels of carbon monoxide (CD) providing an early warning of toxic CD levels in your motorhome.
- Detects carbon monoxide continuously.
- Resistant to false alarms caused by normal household contaminants.
- Sounds a loud 85dB alarm (at 3 metres/ 10 feet) to alert you in case of an emergency.
- Test/Reset button.
- Simple to mount, portable, ideal for travelling.
- Conforms to the British Standards Institute (CSI) Carbon Monoxide Standard BS7860 : 1996.
- Five year limited warranty (batteries excluded).

Operating Features

Your FireAngel detector offers many features which set it apart from other CD detectors on the market today.

Test/Reset Button Feature

This button will:

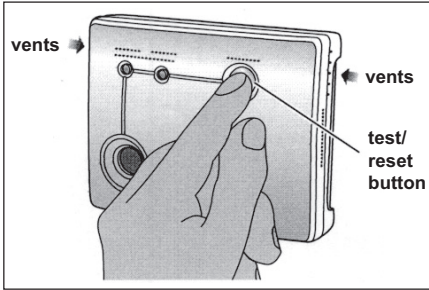
- Test your horn, battery and circuitry.
- Silence the loud 85dB (at 3 metres/10ft) horn during an alarm.
- Allow you to test the sensor by blowing smoke into the detector vents.

Testing the Horn, Battery and Circuitry

Test the horn, battery and circuitry by pressing the Test/Reset button to confirm that the detector is operating properly. The horn



should sound as soon as the button is pressed, and both the red LEDs will flash indicating that the horn is working and the battery is providing power to the unit. This test for the horn, battery and circuitry should be performed on a weekly basis.

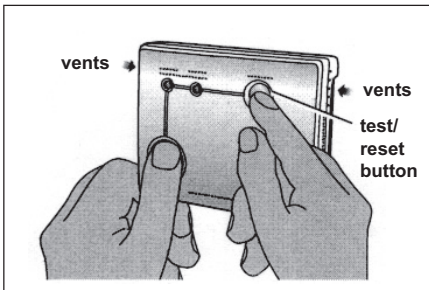


Testing the Sensor

CAUTION: All sensor testing should only be performed by a responsible adult. This test should only be performed once a month. Excessive testing will cause the battery life to be shortened.

Note: CO test kits may be used in order to avoid having to burn cigarettes, incense sticks etc.

Please read all steps thoroughly before attempting to test your alarm.



Step 1: If alarm is wall mounted remove by unhooking unit from wall fixing screws.

Step 2: Place left thumb/finger over the sounder vent. Hold the Test/Reset button down with right thumb/finger until the High Level LED stops flashing and only the Low Level LED flashes once per second (this

should happen after around 5 seconds). Upon releasing the Test/Reset button the High Level LED will begin to flash twice in quick succession every 5 seconds. This indicates that the detector is now monitoring continuously for CO and may be tested using a known source of CO.

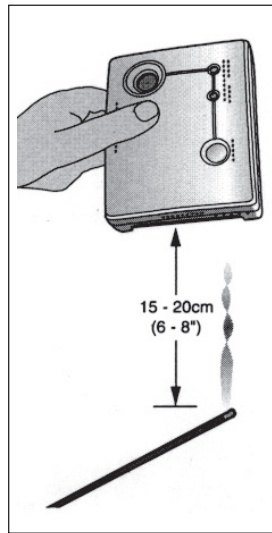
Step 3: Light a cigarette or an incense stick using a match or lighter. Extinguish the lighter, or put out the match and place it into a dish of water.

Step 4: Turn the alarm on its side so that the vents nearest the Test/Reset button on the side of the alarm are pointing down ward (see diagram below). Hold the burning cigarette or incense stick 15-20cm (6-8 in) below the detector, so that the smoke moves towards the holes in the sides of the detector. An increase in the carbon monoxide level to more than

100ppm will cause the horn to sound momentarily and the High Level LED to illuminate continuously for a short time and then flash rapidly. (Note - it make take up to 2 minutes of exposure to the smoke for the carbon monoxide levels to reach over 100 ppm).

Step 5: After step 4, put out the incense stick or cigarette by placing it into a dish of water. Ensure that all flames have been extinguished. As the level of CO falls the High Level LED will stop flashing and will again continuously illuminate for a short time. The unit will then return to sensor test mode with the High Level LED flashing twice every 5 seconds.

Step 6: After four minutes the detector will





return to normal monitoring mode and the High Level LED will flash once per minute.

Note: The reason we recommend using cigarettes or incense sticks to test your alarm's sensor is that carbon monoxide is contained within the smoke given off by them as they burn inefficiently. Candles/matches etc will not provide a source of CO as they do not burn inefficiently. Your CO detector cannot detect smoke.

Understanding different alarms

High Level Alarm

If a high level of CO (above 70ppm) has been detected for a specified period of time, a loud continuous 85dB (at 3 metres) alarm will sound and the High Level LED will flash once every 5 seconds. Press the Test/Reset button to silence the alarm for 6 minutes. If the CO level remains above 70ppm during this 6 minutes, the alarm will again sound.

Low Level Alarm

The detector will sound a loud continuous 85dB (at 3 metres) alarm and the Low Level LED will flash once every 5 seconds when a low level of CO (35ppm-70ppm) has been continuously detected for 4 hours. To silence the alarm, press the Test/Reset button. If the CO level remains above 35ppm for the next 4 hours, the alarm will again sound.

Continued low level alarms are an indication that the potential of a high level alarm exists. You should treat this alarm very seriously. Prolonged low levels of CO are believed to cause brain damage and heart disease, particularly in children and pregnant women. Call a qualified service engineer and have the problem investigated and rectified immediately. In the case of gas appliances this must be a GAS SAFE registered installer.

WARNING: If both the High Level LED and the Low Level LED are flashing, the unit has detected both High and Low levels of carbon monoxide. You should treat this as a High Level Alarm, and act accordingly.

Low Battery/Error Warning

When your battery needs replacing, the High Level LED will continue to flash once per minute and the detector will chirp once per

minute for up to 30 days. Replace the battery immediately! When there is no battery in place, the red 'missing battery' indicator will appear at the top of the unit to remind you to replace the battery. If the unit continues to chirp, even with a fresh battery, then your detector is indicating that a fault has developed.

On discovering a fault please contact the FireAngel Technical Support Line between 10am-4pm, Monday to Friday.
Tel: 024 7623 6663 (1-800 523171 in Eire).
E-mail: technicalsupport@fireangel.co.uk

Quick Reference Label

A Quick Reference Label is located on the back of your detector and provides you with general instructions on the actions to take when your alarm sounds. For full details, read this owner's manual carefully.

What to do in the event of an alarm

WARNING: A loud alarm is a warning that high and potentially lethal levels of carbon monoxide are present. Never ignore this alarm, further exposure can be fatal. Immediately check residents for symptoms of carbon monoxide poisoning, and contact the proper authorities to resolve all CO problems.

NEVER IGNORE A LOW-LEVEL OR HIGH-LEVEL ALARM

Please carefully review these instructions to ensure that you know what actions to take in the event of both high and low-level alarms.

What to do during a high-level alarm

- Open the doors and windows to ventilate.
- Turn off the appliance where possible and stop using the appliance.
- Silence the alarm by pressing the Test/Reset button.
- Evacuate the property leaving the doors and windows open.
- Ring your gas or other fuel supplier on their emergency number, keep the number in a prominent place.
- Do not re-enter the property until the alarm has stopped.
- Get medical help immediately for anyone



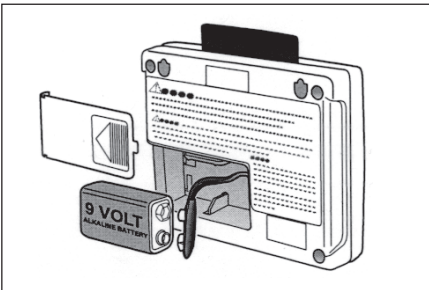
suffering the effects of carbon monoxide poisoning (headache, nausea), and advise that carbon monoxide poisoning is suspected.

- Do not use the appliance again until it has been checked by an expert. In the case of gas appliances this must be a GAS SAFE registered installer.

What to do during a low-level warning

- Open all doors and windows to ventilate.
- Turn off all appliances that are potential sources of CO when possible, and stop using the appliance. These may include gas and wood-burning fireplaces, all gas appliances, and barbecues.
- Silence the alarm by pressing the Test/Reset button.
- Do not use the appliance again until it has been checked by a qualified service engineer. In the case of gas appliances this must be a GAS SAFE registered installer.
- Get medical help immediately for anyone suffering the effects of carbon monoxide poisoning (headache, nausea), and advise that carbon monoxide poisoning is suspected.

Battery installation/replacement



- a. If the detector is wall mounted then unhook it from the mounting screws.
- b. Remove the battery cover located on the back of the detector.
- c. Replace the battery with an approved 9 volt alkaline battery, making sure the battery terminals align properly with the

detector terminals and push the battery into place. Use of a battery other than the battery recommended by FireAngel Ltd can have a detrimental effect on the detector operation. Replace the battery cover and return the detector to the original position.

- d. When the battery is first inserted the detector will shortly emit a single beep and the LEDs will flash to indicate that the battery is properly connected.
- e. Your advanced FireAngel detector does not require a prolonged 'power-up' period. If you have followed all of the above steps correctly, your unit will begin monitoring for CO in 20 minutes. After the 20 minute warm-up period, the High-Level LED will flash once per minute to indicate that the detector is powered up and is monitoring for CO.
- f. Test the horn, battery and circuitry by pressing the Test/reset button to confirm that the detector is operating properly. The horn should sound as soon as the button is pressed, and the LEDs will flash indicating that the horn is working and the battery is providing power to the unit. This test for the horn, battery and circuitry should be performed on a weekly basis.

WARNING: Prolonged exposure to the horn in close proximity will damage your hearing.

When there is no battery in place, a red missing battery indicator will remind you to replace the battery. Under normal operating conditions, the battery should last one year.

The battery life in full alarm is 7 days. The detector will not protect against the risk of CO poisoning when the battery has drained.

Caution: Constant exposure to extreme high or low temperatures may reduce battery life.

Maintaining/Testing your detector

Maintenance

Your detector will alert you to potentially hazardous CO concentrations in your home when maintained properly. To maintain your Fireangel detector in proper working order,



and to ensure that your sensor will maintain its 5 year life, it is recommended that you:

- Test horn, battery and circuitry at least once per week.
- Test sensor once per month.
- Keep the detector free of dust by gently vacuuming the case with a soft brush attachment once per month.
- Never use cleaning solutions on your detector. Simply wipe with a slightly damp cloth.
- Do not paint the detector.
- Do not spray aerosols on or near the detector.
- Move the detector to a safe location and store in a plastic bag before painting, wall papering, using or performing any other activities that use materials that emit strong fumes. **WARNING:** Your alarm will not detect CO when it is stored in this way). Remember to remove it from the bag and replace the detector when these activities are finished.

Technical information

Detector specifications: Model CO-808.

Sensor Type: Electrochemical.

Sensor Life: 5 years.

Sensor range: 10ppm-999ppm.

Alarm Sound Level: 85dB (at 3 metres/10ft).

Recommended Batteries: Duracell 9V Ultra, Duracell MN1604, Energizer 522, Energizer 9V Ultra+, Gold Peak 1604A.

Battery Life: Exceeds 1 year, replaceable.



SECURITY

Chassis number

Record the chassis number and the factory job number of your motorhome, and keep them in a safe place at home.

The chassis number is a 17 digit number, beginning with the letters VF3, and is found stamped on a plate visible through a window in the bottom left hand corner of the windscreen, and also on a plate under the bonnet attached to the bonnet closing crossmember.

The factory job number is an alphanumeric code consisting of a letter followed by four numbers, and is found on a label inside the glove box.

Motorhome Theft

The theft of a motorhome can occur in the most unlikely circumstances; from a motorway service area, even from an owner's driveway.

Secure all windows and doors when your motorhome is unoccupied even if only for a short length of time.

Vehicle Location Device

Your vehicle may be fitted with a HAL 1000 satellite location device, which has been installed in a concealed location. This will automatically send a message to your mobile phone if the vehicle is moved and, if it is being moved without your authority then it can be tracked wherever it may be taken.

If you discover, or are informed by the Control Centre, that your vehicle has been stolen you need to contact the police and obtain a crime reference number. Then supply this number to the Control Centre (detailed are on the HAL-Locate registration card provided) who will liaise directly with the police to locate and recover your vehicle.

Please read carefully the HAL 1000 user instructions supplied with your vehicle particularly with regard to the registration of your mobile phone(s), and understanding the various messages.

Note: For effective operation of the system the leisure battery must be maintained in a good state of charge at all times.

Please be aware that maintenance of the HAL-Locate service is via an annual subscription payable after the first 2 years ownership from new.

If you sell your vehicle or change your contact details (including mobile phone), please contact the HAL-Locate support team on 0844 3576269 with the details.

Additional security

Consider fitting any device which might deter or prevent intrusion by thieves. A wheel lock prevents removal of the wheel.

Window etching of the chassis number is a cost effective deterrent.

Free crime prevention

Advice about securing your motorhome, protecting your valuables, property marking, either at home or whilst on site, can be obtained from the Crime Prevention Officer through your local Police Station.



Please read and become familiar with operating instructions for equipment fitted in your motorhome.

Connection of services are dealt with under separate headings, Water, Electricity and Gas.

WATER SYSTEMS

Fresh/Waste Tanks

The freshwater tank is located in the centre of the vehicle ahead of the rear axle, and may be drained by a tap clipped behind the offside skirt. The waste water tank is positioned in the centre of the vehicle behind the rear axle, and is drained by a grey tap located below the skirt behind the rear wheel.

For capacities of both see the Technical Specification Section.

The freshwater tank is filled through the Whale socket on the side of the vehicle using the special hose supplied. See next page for further details.

All tanks and pipework are manufactured to food grade material specification.

Breathers

Both tanks are fitted with breathers, which allow air displacement when filling. When filling the fresh water tank, water may escape

through these breathers; this should give no cause for concern.

Frost Precaution

If the vehicle is not being used during freezing conditions the water should be drained. If the vehicle is being used in such conditions, refer to the heater section for options available to set up automatic draining of the heater.

FRESH WATER PUMP

A Whale submersible water pump is fitted in the freshwater tank of your vehicle. This is a compact, self venting, high flow pump which is quiet in operation and has a maximum flow rate of 15.8 litres per minute.

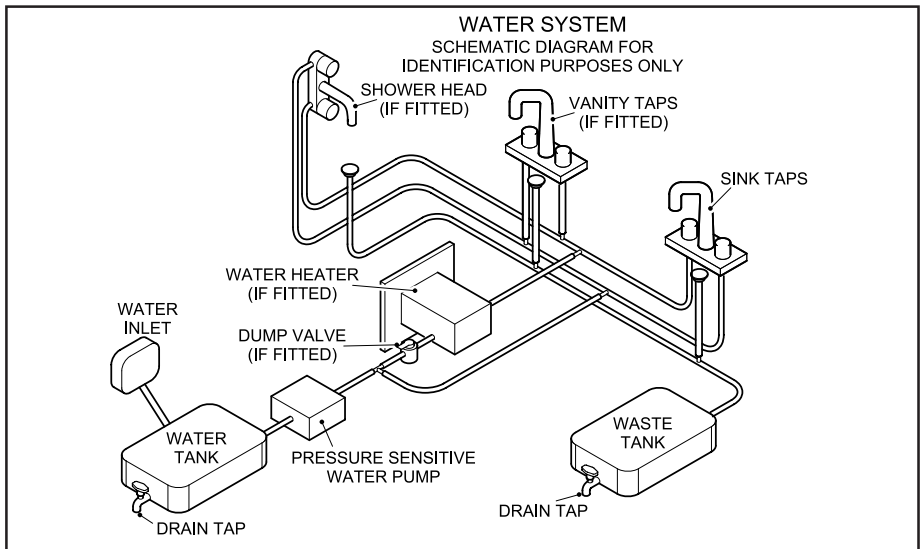
Maintenance

The pump is a sealed unit so no maintenance is required other than a check as part of the annual habitation service.

Ensuring the water supply is free of debris when filling the tank will reduce the likelihood of pump clog.

Winterising

To protect against damage as a result of freezing, drain the entire water system.





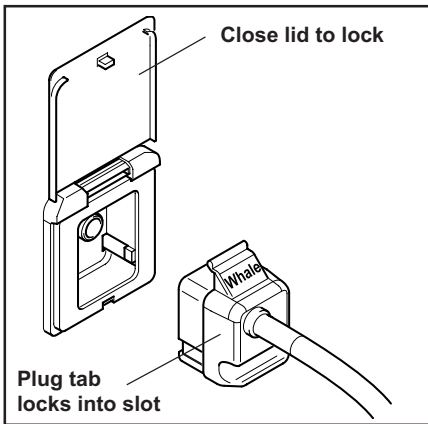
FRESHWATER FILLER

The Whale Watermaster system is used on your vehicle to make easier the connection of an outside water supply to the water system.

Operation

Priming:

1. Open one cold tap (e.g. kitchen sink).
2. Place pump into water container.
3. Insert plug into wall socket.
4. Whale socket: Locate plug tab into lid slot and close lid to lock in position in the socket.



5. Adjust dust cover over opening in container (please note dust cover should not be secured to water container as air must be allowed to enter container to replace water being pumped out).
6. Switch on 12 volt supply at main panel isolator switch.
7. Water will flow from the open tap expelling any trapped air in a few seconds.
8. Turn off tap, the system is now ready for use.

When removing plug

1. Switch off 12 volt supply at main panel isolator switch.
2. Whale socket: Lift socket lid to release plug.
3. Pull out plug from socket using hand grip.
4. Shut lid.

The submersible pump can be run for quite long periods when in water, but it is recommended that running periods should be restricted to a maximum of 15 minutes. Do not run the pump without water. Do not use the pump in water temperatures above 40°C (100°F). It is best to stand the pump vertically.

Maintenance

The pump is fitted with a strainer which should be inspected and cleaned at frequent intervals. The pump is a completely sealed unit, no maintenance is required.

Helpful Hints:

Before switching on, place the pump in water and shake for a few seconds in a horizontal or inverted position to release trapped air. This will ensure successful priming and should be repeated after refilling the water tank. The plug for the Whale socket has a groove under the handgrip for clipping the water hose into when refilling the water container.

Fault Finding

1. If the pump will not run:
Check contacts in plug and socket are clean and making contact. Check wiring connections.
2. If the pump cycles on/off with tap closed:
Check for air or water leaks in taps and piping. Re-adjust pressure switch.
3. If pump motor runs steadily and will not stop:
Check that there is water in the container. Battery voltage may be too low (at or below 10.5 volts). Adjust pressure switch and/or recharge battery. Check all connections in pipe-work. The Whale Tiptoe Pump can be fitted in-line with the submersible pump and used as a manual back-up.

Notes

- * The socket lid must be used to lock the plug securely into the socket.
- On the back of the filler socket, on the inside of the vehicle, is an adjusting screw for the pump solenoid. This is set by the manufacturer and under no circumstances should it be tampered with by the owner.



WATER PRESSURE SWITCH

Adjustment

Your pressure switch is factory set and should not normally require adjustment. In the event that your pump doesn't switch off when you close the taps, or it pulses on and off when the taps are fully open, follow these guidelines to readjust the setting.

Pressure switch adjustment may be required usually because the power supply voltage has varied from the previous setting. Possible causes are: a. Battery drainage through normal use b. Higher voltage supply when battery charger operating

Pressure Switch Setting

1. Ensure the system, including the heater is full of water and all taps are closed. Refer to your user manual. Be sure to set the switch at low battery condition.
2. If present, remove the pressure switch locknut in an anti-clockwise direction, then tighten the adjusting screw clockwise until the pump comes on.
3. Open any tap until you have a smooth flow of water, then close the tap. You should hear the pump running and the pump running light if fitted will be on.
4. Return to the pressure switch and turn the screw slowly anti-clockwise until the pump has stopped. Turn the screw a further half turn (180 degrees) anti-clockwise.
5. Check for correct operation by opening and closing all taps individually. The pump should turn on when the cold tap is opened and switch off immediately when the cold tap is closed. NB At low flows there may be some pulsation.
6. The hot side may take about 10 seconds to react (both on and off) due to cushioning from the water heater.
7. Carefully replace the lockout until it is tight keeping the adjustment screw in position.

Remember: You may also have to adjust the pressure switch to cope with changes in voltage from either battery or mains. Do so using the above instructions.

If setting of pressure switch is still not correct you may experience:

Pump running continuously, even with tap closed. If undiscovered, could result in pump failure and flat battery. Most likely causes are that present voltage is significantly lower when last adjusted, or water container is empty.

CURE: Re-adjust switch or refill container

Pump does not run at all. If not due to blown fuse or faulty connections, then most likely cause is excessive continuous running (see 'a' above)

CURE: Replace pump and readjust switch

Pump runs intermittently ON, OFF, ON, OFF etc. Seen as pulsing flow from tap, or as inability to set constant water temperature, water goes hot, cold, hot, cold instead of constant warm. Most likely cause is that present voltage is significantly higher than when last adjusted.

CURE: Readjust pressure switch, if problem persists add a Whale Surge Damper.

Pump runs very noisily but does not pump water. Likely to occur after water container has been refilled. Pump is air-locked and is fighting to get air out and water in.

CURE: Unplug from the socket, allowing pump to flood, and reconnect by plugging in again. The correct sequence when refilling the container is to unplug, put pump into container, then reconnect.

Pump continues to run for up to 30 seconds after tap is turned off. This is not a problem. This is a characteristic of pressure switch systems caused by the dampening effect of the hot water heater or surge damper on the cold side.

THREE GOLDEN RULES:

1. NEVER allow the pump to run dry.
2. NEVER allow the pump to run continuously for more than 15 minutes.
3. The pump assembly MUST be unplugged BEFORE putting the pump back into the refilled water container.

GAS

GENERAL INFORMATION

Gas Bottles

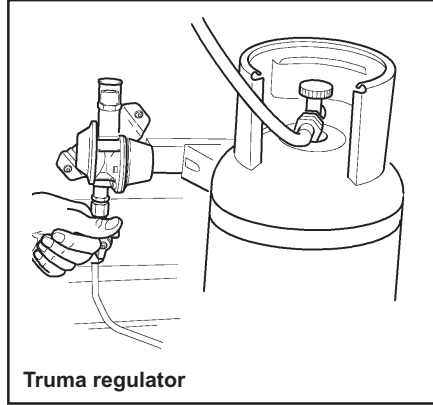
Bottled Liquefied Petroleum Gas (LPG) is the most convenient portable source of fuel for your motorhome. The motorhome includes a gas bottle stowage compartment.

Make sure that heating and cooking appliances and the gas cylinders are switched off before you move the motorhome.

The regulator

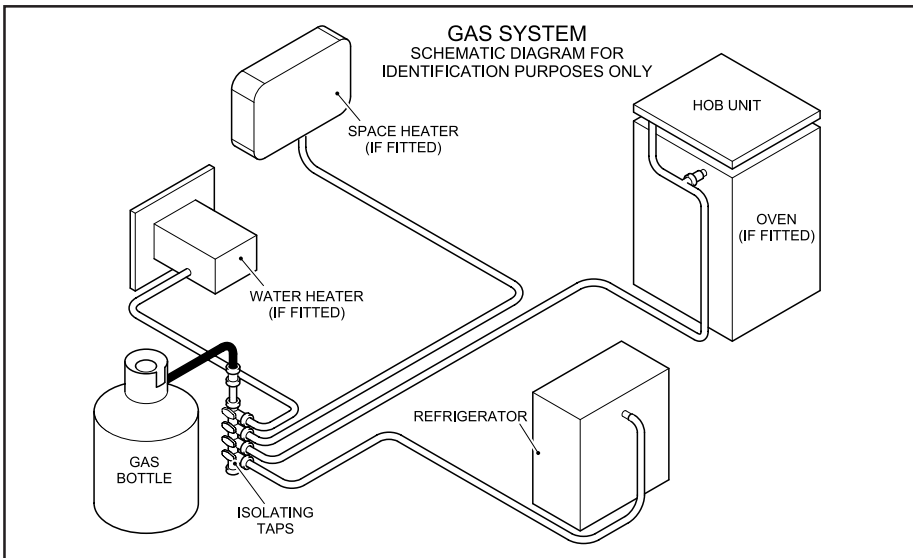
Your motorhome is fitted with a regulator as standard equipment. The gas regulator has a working pressure of 30mbar and is suitable for both propane and butane liquefied petroleum gas. There are dedicated hoses available for different types of gas/bottle. They are also available for camping gas and other mainland Europe LPG suppliers. Please contact your retailer who will have a stock of these hoses.

Note: Regulator valves should always be in the 'OFF' position when towing.



Truma regulator

WARNING: Some industrial LPG appliances operate at high pressure and require a 'high pressure' regulator. This often has an adjusting handle on it. **NEVER** use such a regulator on a motorhome.



TYPES OF GAS

Butane

Butane is supplied in the U.K. in green, blue or aluminium bottles.

All these have a male left hand thread EXCEPT for Camping Gaz which has a special female right hand thread and Calor 7kg and 15kg and aluminium bottles which have a special clip-on connection.

Continental bottles usually have a male left hand thread similar to but not identical with U.K. butane.

Butane is suitable for use at temperatures down to 2°C but will not work below that.

Propane

Propane is supplied in Red, or partly red bottles which have a female left hand threaded connector.

Scandinavian countries use the same connector.

Germany and Austria supply propane with a male connection.

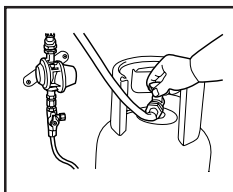
Propane will work at temperatures as low as -40°C and is therefore suitable for all winter use.

Note: See Technical Specification section for recommended gas bottle sizes.

CHANGING GAS CYLINDERS

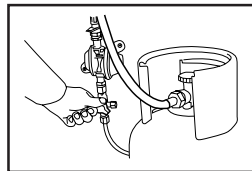
Ensure that the cylinder is empty, then:

- i. Turn off the tap located by the gas regulator.
- ii. Turn off cylinder valve and all gas appliances.
- iii. Remove the gas hose from the cylinder. If the gas hose is left disconnected protect the open inlet against the entry of dirt or insects.
- iv. Release retaining strap.
- v. Remove cylinder from gas locker and stand on ground.
- vi. Fit plastic protecting cap to cylinder.



Full cylinder:

- i. Place cylinder in cradle in gas locker.
- ii. Remove plastic protector from cylinder.
- iii. Connect the gas hose.
- iv. Connect retaining strap.
- v. Turn on cylinder valve and then systematically relight appliances as required.



If cylinders other than those recommended are used, then the user must ensure that:

- 1) The cylinders are adequately supported.
- 2) Do not block ventilation openings.
- 3) Cannot cause damage to fixtures and fittings located in the compartment.

GAS SAFETY ADVICE

Facts about LPG

LPG is not poisonous.

Bi-products are harmless.

There is danger if all air and oxygen were excluded.

(Ventilation holes must be kept clear at all times).

LPG has been given a smell by the manufacturers in order to identify leaks.

Only use gas cylinders stored in the dedicated gas locker. Do not attempt to fit extension hoses or use externally located gas bottles.

PRECAUTIONS

- a) Never look for a leak with a match. Always use a soap solution or its equivalent when testing connections. Do not operate any electrical apparatus whatsoever, especially light switches. If the leak is not obvious, the vehicle should be evacuated and qualified personnel consulted.
- b) Avoid naked lights when connecting or changing a cylinder.
- c) Inspect flexible gas hoses regularly for deterioration and renew as necessary



with the approved type, in any case not later than the expiration date marked on the hose(s).

- d) The gas is heavier than air and therefore sinks to the lowest point.
- e) Keep bottle gas containers outside (and protected against frost). If they must be kept inside make sure they are well away from heat.

VENTILATION

General

Fixed ventilation is a statutory requirement in all motorhomes. These ventilation apertures are positioned at both high and low level and for your safety should not be obstructed, even partially.

Low Level Ventilation

Under each appliance is a fixed ventilation aperture, of a size commensurate with the rating of the appliance itself. It is either gauze covered or incorporates a fixed plastic vent. This should be checked regularly to see that it has not become blocked.

High Level Ventilation

High level ventilation is provided by the roof vents. The ventilation provided has been carefully calculated and relates to the rating of the appliances in the vehicle. Roof vents must not be covered with anything that may limit or affect the ventilation they provide.

Maintenance

Under no circumstances should any fixed ventilation aperture be blocked, covered, either partially or fully, or be modified in any manner whatsoever. They should be checked at least annually for damage or blockage. Screens and/or grilles should be kept clean and free from dust. See diagram of upper/lower ventilation.

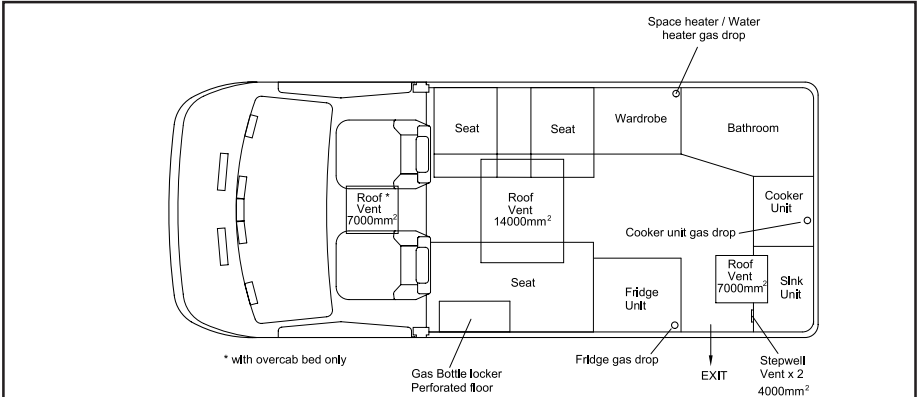
All ventilation complies with BS EN 721 and vents should not be obstructed in any manner as this could lead to insufficient fresh air. In this case the confined atmosphere becomes depleted of oxygen which leads to the formation of the highly poisonous gas 'carbon monoxide'. Carbon Monoxide is odourless, colourless and tasteless and will rapidly cause unconsciousness and death with little or no warning prior to collapse. **THERE IS NO DANGER WHEN ADEQUATE VENTILATION IS PROVIDED.**

When you are cooking, it is essential to provide additional ventilation such as opening windows near grill, cooker or oven.

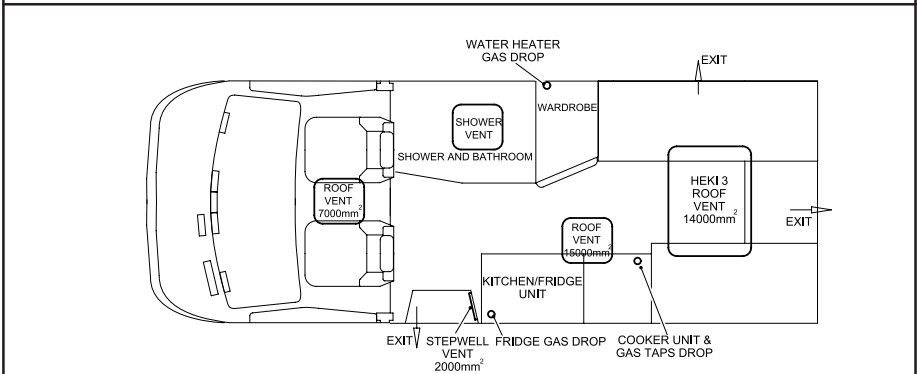
Roof-mounted Flue installations

All flue installations should be inspected once a year throughout their length for corrosion. Flues should be replaced if any sign of perforation is found. Ensure that the replacement is of an approved type.

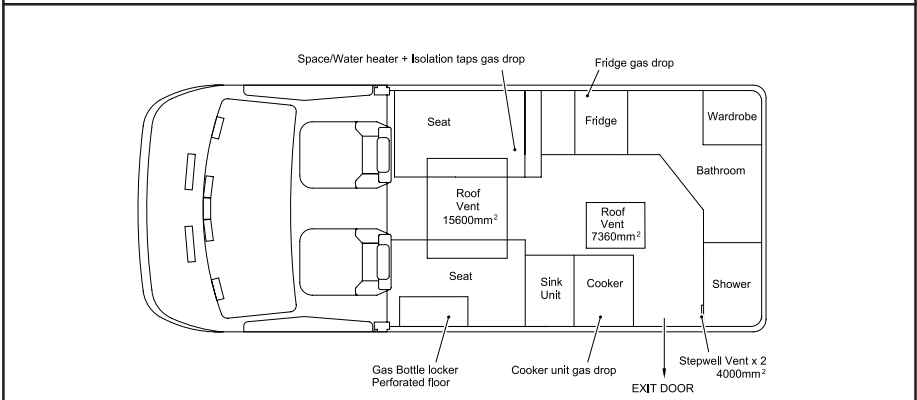
WARNING: Never allow modification of LPG systems and appliances except by qualified persons.



Broadway EK Ventilation Diagram



Broadway EL Ventilation Diagram



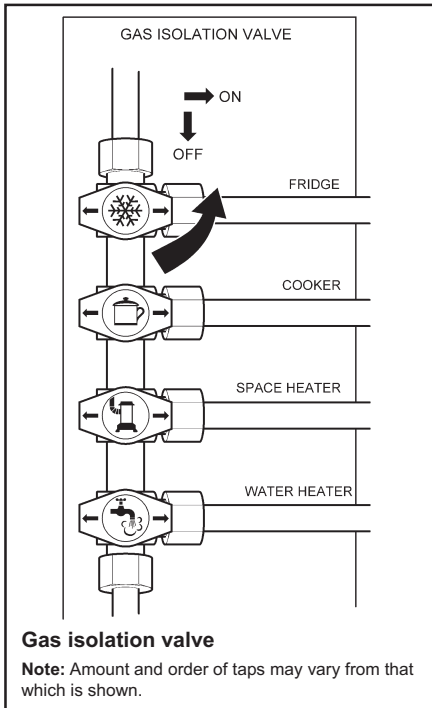
Broadway EB Ventilation Diagram



Connection

Ensure that the gas regulator is correctly connected to the gas cylinder in gas bottle compartment and that the hose is tight. Before turning on the gas supply, ensure that all gas operated equipment in the motorhome is turned off.

All gas equipment is supplied through a central Gas Manifold System which has individual isolation taps for each appliance denoted by a symbol (see below).



WARNINGS:

- 1 **Interior outlet sockets must only be used with original appliances supplied by manufacturer.**
- 2 **No appliance must be used outside when connected to an internal socket.**
- 3 **No additional appliance must be used inside the motorhome.**

Never use portable cooking or heating equipment other than electric heaters, that are not of the radiant type as they are a fire and asphyxiation hazard.

Safe Usage

To avoid accidents, the following fundamental advice should be carefully read before using gas appliances or changing gas cylinders.

- Always read and follow the use and maintenance instructions provided by the manufacturers of gas equipment. Should any soot accumulate on pans, fire radiants, etc., or any smell be produced, consult a competent installer on the correct maintenance and adjustment of burners.
- Never check for gas leaks with a naked flame.
- Always turn off the gas cylinder valve(s) or inlet to the motorhome or other dwelling when gas appliances are not in use.
- Never use gas appliances without adequate ventilation. All gas appliances require a plentiful supply of fresh air for correct operation. Fixed ventilators or air inlets should not be stopped up. Where practicable, turn off all appliances before retiring to bed, preferably at the cylinder or inlet to the motorhome or other dwelling.
- Unless the appliance incorporates automatic ignition, when lighting an appliance always make sure you apply a lighted match or taper to the burner before turning on the gas.
- If any appliance is disconnected for repair, maintenance, etc., ensure that the gas line is capped off.
- If taps are stiff to operate or appear to be a source of leakage, call in a competent installer to rectify. LPG taps require a special grease.
- Always seek advice when in doubt.

Input Ratings

Input rating for the gas appliances are as follows:

Refrigerator	0.1kW
Heater	2.4kW
Grill	1.5kW
Water heater	1.5kW
Oven	1.5kW
Hob burners (x3)	1.5kW (each)

ELECTRICITY

As with electricity in the home, care must be exercised when handling mains electricity.

Your attention is drawn to the following notice as laid down by the Institute of Electrical Engineers.

INSTRUCTIONS FOR ELECTRICITY SUPPLY

On arrival at caravan site

The motorhome mains inlet flexible supply cable and its limits are shown on page 7-12.

1. Before connecting the motorhome installation to the mains supply, check that:
 - (a) the mains supply is suitable for your installation and appliances, i.e. whether it is a.c. or d.c. and whether it is at the correct voltage and frequency,
 - (b) your installation will be properly earthed. Never accept a supply from a socket outlet or plug having only two pins, or from a lighting outlet, and
 - (c) any residual current device (earth leakage circuit breaker) in the mains supply to the motorhome has been tested within the last month.
 - (d) Ensure that the RCD and the main switch on the EC155 control box are OFF until after the mains cable has been connected.

In case of doubt, consult the site owner or his agent.

2. **MAKE SURE THAT THE SWITCH AT THE SITE SUPPLY POINT IS OFF.**
3. Lift the cover of the electricity inlet provided on the motorhome, and insert the connector of the supply flexible cable.
4. Remove any cover from the socket outlet provided at the site supply point, and connect the plug at the other end of the supply flexible cable to this. Switch on the main switch at the site supply point.

Note: Use mains cable fully uncoiled and protect from traffic.

Caution: Be aware that the 12V appliances, except the refrigerator, will not operate whilst

the ignition is switched on and the vehicle engine running. The master switch on the electrical control panel controls the 12 volt supply.

IT IS IMPORTANT THAT THE MAIN SWITCH AT THE SITE SUPPLY POINT SHOULD BE SWITCHED OFF, THE SUPPLY FLEXIBLE CABLE DISCONNECTED, AND ANY COVER REPLACED ON THE SOCKET OUTLET AT THE SITE SUPPLY POINT BEFORE DISCONNECTING THE FLEXIBLE CABLE FROM THE MOTORHOME. IT IS DANGEROUS TO LEAVE THE SUPPLY SOCKET OR SUPPLY FLEXIBLE CABLE LIVE.

Note: Please check appliance manufacturers handbook to see if suitable for use with generator or charger.

A generator may only be connected via the mains socket. If using a generator you also need to comply with the requirements/ instructions supplied with the generator.

Because motorhomes are sometimes left unused for long periods in the open, it is strongly advised that the mains installation is inspected periodically to ensure that it is safe to use. The IEE Wiring Regulations recommend that mains installations in motorhomes are re-inspected every 3 years by a qualified person (see list) who should sign and issue a periodic inspection report. (The manufacturer recommends annual inspections).

Suitably qualified persons acceptable to the NCC to sign and issue inspection and completion certificates are:

- an approved contractor of the National Inspection Council for Electrical Installation Contracting* or
- a member of the Electrical Contractors' Association
- a member of the Electrical Contractors' Association of Scotland
- a qualified person acting on behalf of the above (in which event it should be stated for whom he is acting).



*The names and addresses of Approved Contractors in any locality (there are over 10,500 in the UK) can be obtained from:

NICEIC
Warwick House
Houghton Hall Park
Houghton Regis
Dunstable LU5 5ZX
Telephone: 0870 013 0382
Email: enquiries@niceic.com

The names and addresses of members of the Electrical Contractors' Associations can be obtained direct from:

ECA
Esca House
Palace Court
London W2 4HY
Telephone: 020 7313 4800

WARNING: Current consumption in the motorhome must not exceed 16 amps or the pitch permitted maximum if this is less than 16 amps.

It is dangerous to attempt modifications and additions yourself. Never allow modification of electrical systems and appliances except by qualified persons. Lampholder-plugs (bayonet-cap adaptors) should not in any circumstances be used.

CAUTION: Electrical heaters have the potential to draw 8 amps at 2kW. It is, therefore, advisable to check the supply rating before switching on two loads (items) greater than the supply as this may cause an overload and the circuit breaker to trip.

OVERSEAS CONNECTION

Note: Connection to a mains voltage supply OVERSEAS requires particular attention.

Care must be taken when connecting supplies abroad since the supplies can be of REVERSE POLARITY.

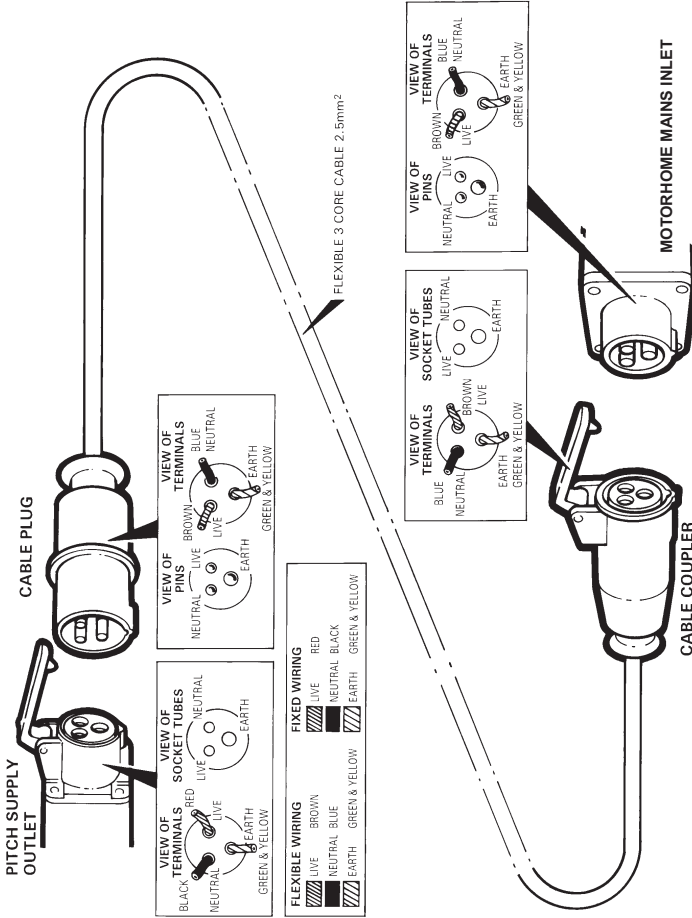
The significance of REVERSE POLARITY is that when equipment is switched off it may not be electrically isolated.

The only certain way of making equipment safe is to unplug it.

If it can be achieved, it is preferable to connect live to live, and neutral to neutral to maintain full electrical protection.

WARNING: It is essential that connections are made exactly as shown. If terminal markings are not in accordance with the diagram they must be ignored. If in doubt consult a qualified electrician.

The legal length of the mains inlet cable is 25 ± 2 metres. When in use it must be fully uncoiled and protected from traffic.



WIRING OF CONNECTING CABLE AND MOTORHOME MAINS INLET



POWER CONTROL SYSTEM

Your vehicle is fitted with a Sargent system to control all the habitation area electrical functions. It will either be the EC325 (also known as EC328) or the EC500 system. Please refer to the appropriate instructions which follow.

EC325 POWER CONTROL SYSTEM

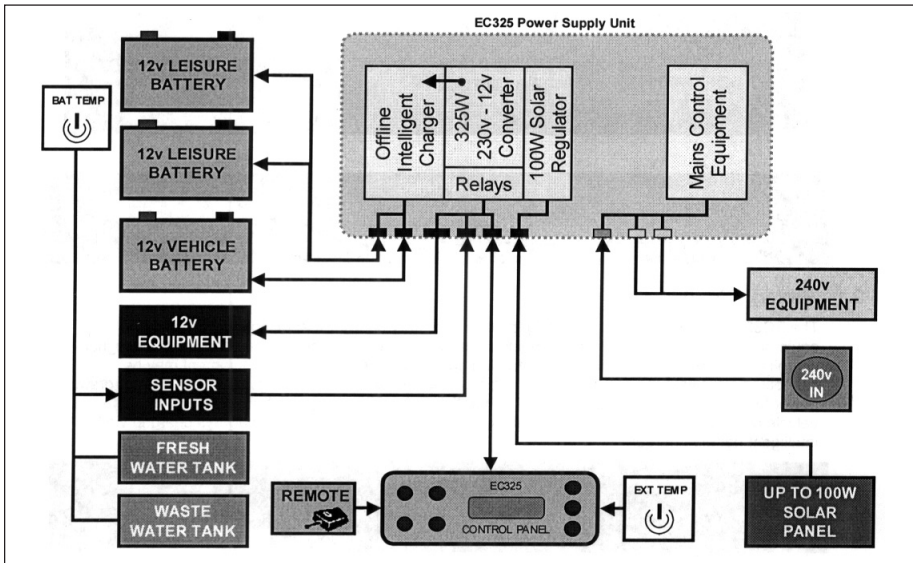
Note: Your control system may be labelled as 'EC328'. This indicates an internal manufacturing difference, however, the operation of the system is identical to the EC325 described below.

1 Key Features

- 325W (~25A) Power Converter - Converts the 230V mains supply into 12v DC power to run the leisure equipment and supply the battery charger.
- Intelligent 'offline' Battery Charger - Uses a process of disconnecting the leisure battery from the leisure equipment during the charging process, which allows the battery charger to charge batteries quicker, recover heavily discharged batteries and achieve a higher final charge level than traditional battery chargers.
- Built-in dual Solar Regulator - Allows the direct connection of a 20 to 100W solar panel without the need for additional components. The dual regulator charges both the vehicle and leisure batteries simultaneously.
- System Monitor Circuit - Monitors key components within the power supply to ensure optimum operation. A simple 'traffic light' indicator shows the power supply status.
- Enhanced Digital Control Panel - With scrolling menu system, battery condition (voltage and current), water tank levels, tank and battery level warnings with battery protect circuit, alarm clock and programmable event timer.

2 System Overview

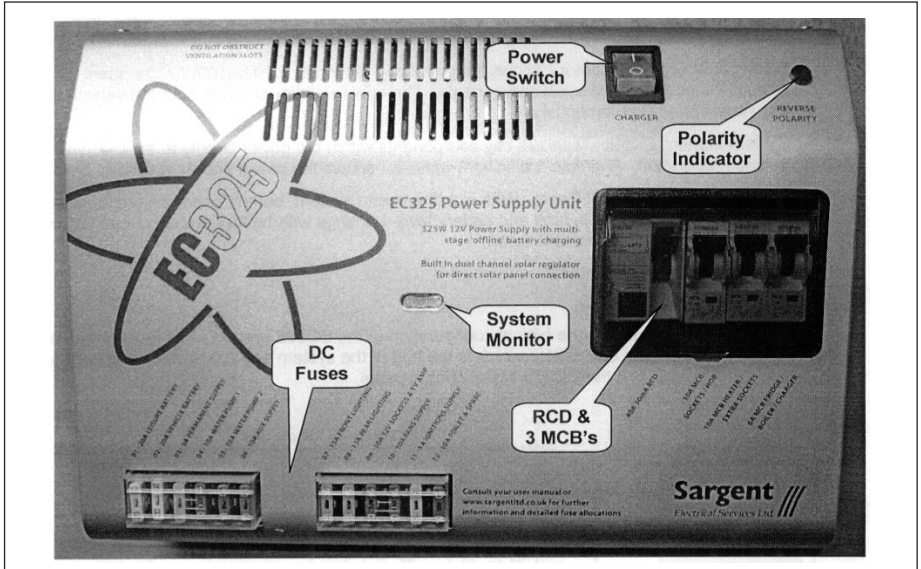
The following diagram shows the typical configuration of the EC325 system. The key component is the EC325 power supply unit (PSU), which is the hub of the system and provides connectivity to the ancillary components and the EC325 digital control panel.



3 Power Supply Details

For the safe operation of all electrical equipment within your Leisure Vehicle it is important that you read and fully understand these instructions. If you are unsure of any point please contact your dealer / distributor for advice before use.

The following diagram shows the EC325PSU layout.



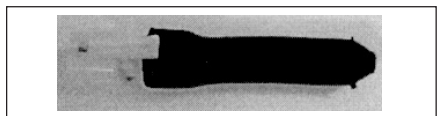
WARNING: Under heavy loads the EC325PSU case may become hot. ALWAYS ensure the ventilation slots and the cooling fan have a clear flow of air. Do not place combustible materials against / adjacent to the EC325PSU. The PSU will shutdown if overheated and will restart automatically when cool.

3.1 Battery Charger

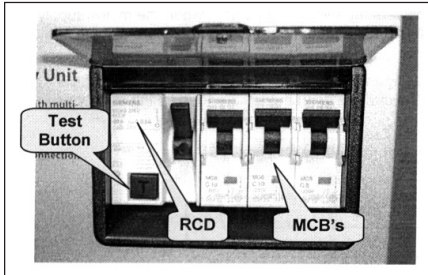
The EC325PSU incorporates an intelligent 'offline' battery charger that disconnects the leisure equipment from the battery while it is being charged. This process allows the charger to use higher charging voltages and to accurately control the charging current. No other equipment may be connected directly to the battery while charging is taking place. This intelligent battery charger draws power from the power converter (see 3.4) when the mains 230v supply is turned on and from the vehicle alternator when the engine is running, therefore the leisure battery is always charged via the intelligent battery charger.

WARNING: Higher voltages maybe present at the battery (<=18v). Do not connect ANY equipment to the battery while the charger is operating. Failure to comply with this warning may lead to equipment damage and will affect the battery charger performance.

The EC325 system also incorporates a battery compartment temperature sensor (see photograph), which monitors the battery ambient temperature to allow the charger to adjust the charging current if the battery is very cold or hot.



3.2 Residual Current Device & Miniature Circuit Breakers



The Residual Current Device (RCD) is basically provided to protect the user from lethal electric shock. The RCD will turn off (trip) if the current flowing in the live conductor does not fully return down the neutral conductor, i.e. some current is passing through a person down to earth or through a faulty appliance.

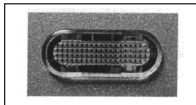
To ensure the RCD is working correctly, the test button should be operated each time the vehicle is connected to the mains supply (see section 5.1)

The Miniature Circuit Breakers (MCB's) operate in a similar way to traditional fuses and are provided to protect the wiring installation from overload or short circuit. If an overload occurs the MCB will switch off the supply. If this occurs you should investigate the cause of the fault before switching the MCB back on.

The following table shows the rating and circuit allocation for the three MCB's

MCB	Rating	Wire Colour	Description
1	10 Amps	White	230v Sockets
2	10 Amps	White (Yellow for heater)	Extra 230v Sockets / Heater
3	6 Amps	Black (Blue for water heater)	Fridge/Water Heater / 12v Charger (internally connected)

3.3 System Monitor



The system monitor circuit checks the power supply key components to ensure optimum operation. The current status is displayed on the front of the PSU by the means of a dear indication that illuminates in different colours depending on the PSU status.

Left	Centre	Right	Status	Indication description
-	-	G	Good	Mains supply on, PSU status good.
-	-	-	Good	Mains supply off, PSU status good.
-	O	G	Warning	Mains supply on, PSU in warning mode. In this mode the PSU will limit the output current to protect the unit from damage. It is still safe to use the unit but the fault should be investigated. Typical causes are battery temperature sensor unplugged, cooling fan not working, internal sensors disconnected or failed.
-	O	-	Warning	Mains supply off, PSU in warning mode.
R	O	G	Failure	Mains supply on, PSU in overheat failure mode. In this mode the PSU will shutdown and all equipment will be switched off. The cooling fan will continue to run until the unit cools down. Typical causes are short-circuited DC output, battery connected in reverse, cooling fan failed, cooling vents blocked / covered, problem caused by prolonged use in warning mode.
R	-	G	Failure	Mains supply on, PSU in overheat failure mode.
R	O	-	Failure	Mains supply off, PSU in overheat failure mode.

3.4 Power Converter

The EC325PSU contains a power converter that powers the leisure equipment when the mains supply is connected. This module supplies 13.5v DC to the leisure equipment up to a maximum of 25 Amps (325 Watts).

The power converter also supplies power to the intelligent battery charger, therefore the available power is distributed between the leisure load and the charger, with the leisure load taking priority as per the following example:

Leisure load	Available power for battery charger
10A	15A
15A	10A
20A	5A
25A	0A

3.5 Solar Panel Converter

The EC325PSU incorporates a built-in dual channel Solar Regulator that allows the direct connection of a 20 to 100W solar panel without the need for additional components. The dual regulator charges both the vehicle and leisure batteries simultaneously and connects to the PSU via a dedicated connector on the base of the unit (see section 6.2 for details).

A connection harness is available from your dealer, the part number is 59065-07.

3.6 Fuses

WARNING: When replacing fuses always replace a fuse with the correct value. NEVER replace with a higher value / rating as this could damage the wiring harness. If a replacement fuse ‘blows’ do not keep replacing the fuse as you could damage the wiring harness. Please investigate the fault and contact your dealer.

The following table shows the fuse allocation for the 12 fuses fitted to the EC325PSU.

Fuse	Rating	Fuse Colour	Wire Colour	Description
1	20 Amps	Yellow	Brown / Blue	Leisure Battery
2	20 Amps	Yellow	Brown / Green	Vehicle Battery
3	5 Amps	Tan	Brown / Yellow	Permanent Supply (Radio / Fridge)
4	10 Amps	Red	Green / Blue	Water Pump 1
5	10 Amps	Red	Green / White	Water Pump 2
6	10 Amps	Red	Grey / Red	Auxiliary Supply (Awning / Entry Light)
7	15 Amps	Blue	Grey	Front Lights
8	15 Amps	Blue	Pink	Rear Lights
9	10 Amps	Red	Yellow / White	12v Sockets/TV Amplifier/Entertainment
10	10 Amps	Red	Black / tracer	Fans / Heater Fans
11	5 Amps	Tan	Yellow/ Green	Ignitions Supply (Heaters / Cooker)
12	10 Amps	Red	Purple	Toilet Pump

The following table shows details of the fuse(s) located at the leisure battery.

Battery 1	20 Amps	Yellow	Brown/Blue	Fuse remotely located near battery
Battery 2	20 Amps	Yellow	Brown/Blue	Fuse remotely located near battery 2 (where fitted)



3.7 Battery

A) Type/ Selection

For optimum performance and safety it is essential that only a proprietary brand LEISURE battery is used with a typical capacity of 75 to 120 Ah (Ampere / hours). A normal car battery is NOT suitable. This battery should always be connected when the system is in use. The EC325PSU is configured at the factory for standard lead acid leisure batteries, however your dealer can reconfigure the unit to work with Gel batteries if required. The dealer may make a small charge for undertaking this work. Some vehicle installations can cater for two leisure batteries connected in parallel. In these cases it is recommended that two identical batteries are used. The battery feed is fitted with an inline fuse between the battery and the electrical harness, and is usually located immediately outside the battery compartment or within 500mm of the battery. The maximum rating of this fuse is 20A per battery.

B) Installation & Removal

Always disconnect the 230v mains supply and turn the EC325PSU charger switch to the OFF (0) position before removing or installing the battery. When connecting the battery, ensure that the correct polarity is observed (black is negative [-] and red is positive [+]) and that the terminals are securely fastened. Crocodile clips must not be used.

WARNING: Explosive gases may be present at the battery. Take care to prevent flames and sparks in the vicinity of the battery and do not smoke.

C) Operation / Servicing

Under normal circumstances it should not be necessary to remove the battery other than for routine inspection of the terminals and "topping up" of the battery fluid where applicable. Please see instructions supplied with the battery.

Note: Do not over discharge the battery. One of the most common causes of battery failure is when the battery is discharged below the recommended level of approximately 10v. Discharging a battery below this figure can cause permanent damage to one or more of the cells within the battery.

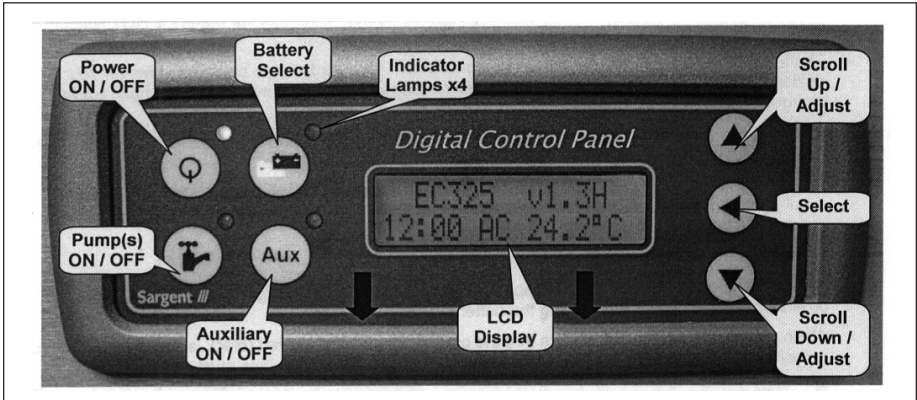
To prevent over discharge, the EC325 system incorporates a battery protect circuit that warns and then disconnects the batteries when they fall below the following conditions:

Battery	Voltage cut off	Action after cut off	Notes
Vehicle	10.9V	Battery selection is changed from Vehicle battery to leisure battery. If the leisure battery is below 6V then a further warning will occur (see below).	This cut off level is designed to protect the vehicle battery from over discharge. The 10.9V level ensures there is sufficient power in the battery to run the vehicle electronics and start the vehicle. This cut off only applies to power drawn from the battery by the leisure equipment; it will not protect the battery if you leave the vehicle lights on.
Leisure	6V	Power is turned off	This is an emergency cut off level to protect the battery from severe damage. You should not rely on this cut off level during normal operation, but manage your power consumption to a discharge level of 10V. This cut off only applies to power drawn from the battery by the leisure equipment that is controlled by the control panel power switch; it will not protect the battery from discharge by the radio or other permanently connected equipment.

4 Control Panel Details

4.1 Layout and Buttons

The following diagram shows the control panel layout and button functions.



Note: to remove the decorative bezel, **pull down** and **lift forward** as indicated by the blue arrows.

Item	Function	Options / Notes
Power ON / OFF	Use to turn the main leisure power on and off.	The adjacent LED is illuminated when the power is ON.
Battery SELECT	Use to select the Leisure or Vehicle battery. Press the button to toggle between the leisure and vehicle batteries. When a battery is selected this battery will be used as the power source and will also be charged by the charger.	The adjacent LED is illuminated when the VEHICLE battery is selected; by default when the power is initially turned on the leisure battery is selected and is indicated by the battery select LED off.
Pump On / OFF	Use to turn the water pump(s) power on and off (see section 4.3).	The adjacent LED is illuminated when the pump power is ON.
Aux On / OFF	Use to turn the Auxiliary power on and off (see manufacturers handbook for details of what items are operated by the auxiliary function).	The adjacent LED is illuminated when the auxiliary power is ON.
Scroll UP ▲	Use to scroll the display up (settings section of the menu) or adjust the selected setting (see section 4.3).	Note: The menu screens operate in a continuous loop, therefore you can use either the UP and DOWN buttons to move to any screen.
Scroll DOWN ▼	Use to scroll the display down (readings section of the menu) or adjust the selected setting (see section 4.2).	
Select ◀	Use to select a menu item within the settings section (see section 4.2 & 4.3).	Use to move to the next setting, when entering alarm / event times.

Note: The display backlight operated for approximately 6 seconds after any key press.



4.2 Menu Functions - Readings section

	Display	Description	Options / Notes
	<p>EC325 v1.3H 12:00 23.9°C</p>	<p>Main Control Panel display showing model number (EC325), software version number (v3.1), specification (H), current time (12:00) and internal temperature (23.9°C) in centigrade.</p>	<p>The addition of an asterisk (*) in the top left of the display indicates that the alarm is set.</p> <p>The addition of a hash (#) in the top right of the display indicates that the event timer is set.</p> <p>The addition of the letters 'AC' in the centre of the display indicates that the AC Mains supply is switched on.</p>
▼	<p>Leisure Battery 12.5v (Good)</p>	<p>Voltage reading and battery condition description for the on-board leisure battery</p> <p>See also 3.7C</p>	<p>Less than 10.9 = (Poor) 10.9 to 11.4 = (Fair) 11.9 to 14.4 = (Good)</p>
▼	<p>Vehicle Battery 13.3v (Good)</p>	<p>Voltage reading and battery condition description for the vehicle battery</p> <p>See also 3.7C</p>	<p>Less than 10.9 = (Poor) 10.9 to 11.8 = (Fair) 11.9 to 14.4 = (Good)</p>
▼	<p>Mains Supply ON</p>	<p>Indication of the 230V mains supply</p>	<p>ON = mains supply on OFF = mains supply off</p>
▼	<p>Leisure Battery = Lead Acid</p>	<p>Shows the type of battery configured within the EC325PSU</p>	<p>The leisure battery type can be changed within the EC325PSU to accommodate Gel batteries if required (see section 3.7A for details)</p>
▼	<p>Fresh Water 25% Full</p>	<p>Water level in the fresh water tank (5 measurement levels)</p> <p>If the water pump power switch is turned ON and the later level drops below 25% a warning beep will be heard and the LCD display will flash. To cancel the warning, press the select (◀) button. The warning will not be repeated unless the water pump power switch is turned off and on again. This is to ensure the warning does not become a nuisance.</p>	<p>0% < 1/4 Full (Nearly empty) 25% > = 1/4 Full 50% > = 1/2 Full 75% > = 3/4 Full 100% = Full</p>



	Display	Description	Options / Notes
▼	<p>Waste Water 0% Full</p>	<p>Water level in the waste water tank (2 measurement levels).</p> <p>If the water pump power switch is turned ON and the waste water level rises to 100% a warning beep will be heard and the LCD display will flash. To cancel the warning, press the (◀) button. The warning will not be repeated unless the water pump power switch is turned off and on again. This is to ensure the warning does not become a nuisance.</p>	<p>0% < 1/2 Full 50% > = 1/2 Full (optional level that is not normally fitted by most manufacturers) 100% = Full</p>
▼	<p>External Temp 265°C</p>	<p>External temperature (in degrees centigrade) as measured by the external temperature probe</p> <p><i>(Only available in H specification systems - see start of section 4.2)</i></p>	
▼	<p>Battery Current 5.4 Amps</p>	<p>Current (in Amps) being drawn from or charged into the selected battery.</p> <p>If a solar panel is fitted this display will include the current being provided by the solar panel.</p> <p><i>(Only available in H specification systems - see start of section 4.2)</i></p>	<p>Negative figure (-) = current being drawn from the selected battery. Positive figure (+) = current being used to charge the selected battery</p>



4.3 Menu Functions - Settings section

	Display	Description	Options / Notes
▼	Pump Select? (Internal)	Shows the currently selected pump that will be operated by pressing the pump on/off switch (TAP symbol). Use the select button (◀) to change. Note: If you water pump stops working, this setting may have been inadvertently changed.	<INTERNAL> = The internal pump will be operated by the pump switch. <EXTERNAL> = The external pump will be operated by the pump switch. <BOTH> = Both the internal and external pumps will be operated simultaneously by the pump switch.
▼	Water Tank Fill? <Start 1 Min>	Allows operation of the external pump for a period of one minute (for filling the internal tank from the external tank). Use the select button (◀) to START (or STOP).	Will have no effect if the external pump is already switched on (see above). Will not operate if the internal (fresh) water tank is showing 100% full.
▼	Clock Set? 12:00	Access to set the internal clock Press the select button (◀) to select HOUR. Use the up/down (▲▼) buttons to change. Press the select button (◀) to select MINUTE. Use the (▲▼) buttons to change. Press the select button (◀) to exit.	Please note the clock uses a 24 hour cycle.
▼	Alarm Set? 12:00	Access to set the alarm clock Press the select button (◀) to select HOUR. Use the up/down (▲▼) buttons to change. Press the select button (◀) to select MINUTE. Use the (▲▼) buttons to change. Press the select button (◀) to exit.	Please note the clock uses a 24 hour cycle.
▼	Alarm = Off	Shows the alarm clock status (on/off) Press the select button (◀) to switch between OFF or ON.	The addition of an asterisk (*) in the top left of the main EC325 display indicates that the alarm is set



	Display	Description	Options / Notes
▼	Set Event Timer?	<p>Access to set the event timer</p> <p>Press the select button (◀) to select HOUR ON.</p> <p>Use the up/down (▲▼) buttons to change.</p> <p>Press the select button (◀) to select MINUTE ON.</p> <p>Use the (▲▼) buttons to change.</p> <p>Press the select button (◀) to select HOUR OFF.</p> <p>Use the up/down (▲▼) buttons to change.</p> <p>Press the select button (◀) to select MINUTE OFF.</p> <p>Use the (▲▼) buttons to change.</p> <p>Press the select button (◀) to exit.</p>	<p>Please note the event timer uses a 24 hour cycle.</p> <p>The event timer is used to switch the control panel power on and off in the absence of the user/occupier.</p> <p>See section 4.4 for further details.</p> <p><i>(Only available in H and M specification systems).</i></p>
▼	Event Timer = Off 12:00 till 12:00	<p>Allows the event timer status (OFF/ON) and the current On and Off times.</p> <p>Press the select button (◀) to switch between OFF or ON.</p> <p><i>(Only available in H and M specification systems).</i></p>	<p>The addition of a hash (#) in the top right of the main EC325 display indicates that the event timer is set.</p>

4.4 Event Timer example

The event timer is designed to allow the leisure vehicle user to turn the 12v power on or off (in the same way as using the control panel power button) without being in the vehicle. This allows lights or other equipment to be turned on or off at a predetermined time.

Example - to turn on one interior light at 11.00pm for 1 hour:

Ensure the clock is set to the correct time

Scroll to the 'Set Event Timer?' screen

Following the instruction in section 4.3, set the ON time to 23:00 and the OFF time to 24:00

Scroll to the 'Event Timer=' screen and select ON

Scroll to the main control panel display and ensure a hash (#) is displayed in the right of the display

Turn all lights and 12v equipment off in the vehicle except the light that you want the event timer to automatically switch on

Turn the 12v power off on the control panel

Exit the vehicle

At 11:00pm (23:00) the control panel will switch the 12v power on and therefore any equipment that was left switched on will be turned on. The 12v power will be switched off at Midnight (24:00).



4.5 Warning Messages

Vehicle Battery Dangerously Low	This WARNING display indicates that the vehicle battery voltage is low (10.9 volts or less). The panel will beep for one minutes and then switch over to the leisure battery to prevent draining the vehicle battery.	You can switch over to the leisure battery immediately (and cancel the beep) by using the battery selector switch.
Leisure Battery Dangerously Low	This WARNING display indicates that the leisure battery voltage is low (6 volts or less). The panel will beep for one minute and then switch the power off to prevent damage to the leisure battery.	See section 3.7 for further details.
PSU Over Temp Cooling Down	This WARNING indicates that the EC325PSU has overheated and is cooling down. The charger and power converter will shutdown to allow the cooling fan to reduce the heat of the PSU.	This warning is unlikely to occur under normal operation. If your PSU does overheat please check the ventilation slots for blockages etc.
System disabled Engine started	This WARNING display indicates that the system has been disabled because the vehicle engine is running.	EMC (Electro Magnetic Compatibility) directive 89/336/EEC requires that electrical accessories within the vehicle are disconnected while the vehicle is in motion.

5 Operational & Safety Information

5.1 Connecting to the Mains supply - Safety checks

For your safety it is **IMPORTANT** that you follow these connections instructions each time your Leisure Vehicle is connected to a mains supply.

- A) **Ensure suitability of the Mains Supply.** Your Leisure Vehicle should only be connected to an approved supply that meets the requirements of BS7671. In most cases the site warden will hold information regarding suitability of supply. If using a generator you also need to comply with the requirements /instructions supplied with the generator. Please note that some electronic generators may not be compatible with your leisure system.
- B) **Switch the EC325PSU internal Power Converter OFF.** Locate the green 'Charger' power switch on the EC325PSU and ensure the switch is in the OFF (0) position before connection to the mains supply.
- C) **Connect the Hook-up Lead.** Firstly connect the supplied hook-up lead (orange cable with blue connectors) to the Leisure Vehicle and then connect to the mains supply.
- D) **Check Residual Current Device operation.** Locate the RCD within the EC325PSU and ensure the RCD is switched on (lever in up position). Press the 'TEST' button and confirm that the RCD turns off (lever in down position). Switch the RCD back to the on position (lever in up position). If the test button failed to operate the RCD see section 5.2.
- E) **Check correct Polarity.** Locate the 'Reverse Polarity' indicator on the EC325PSU and ensure that the indicator is NOT illuminated. If the indicator is illuminated see section 5.2.
- F) **Check Miniature Circuit Breakers.** Locate the MCB's within the EC325PSU (adjacent to the RCD) and ensure they are all in the ON (up) position. If any MCB's fail to latch in the on position see section 5.2.
- G) **Turn the EC325PSU ON.** Locate the green power switch on the EC325PSU and turn to the ON (I) position. The switch will illuminate when turned on.
- H) **Check operation of equipment.** It is now safe to check the operation of the 12v and 230v equipment.



5.2 Common Fault Table

Fault	Possible Cause	Proposed Fix
No 230 volt output from PSU.	Connecting lead between the site and Leisure Vehicle not connected.	Check and connect lead as per 5.1C. Check also input connector at the base of the EC325PSU.
	RCD switched off.	Reset RCD as per 5.1D.
	RCD not operating correctly.	Check supply polarity; if the RCD continues to fail contact your dealer, as there is probably an equipment or wiring fault.
	MCB switched off.	Reset MCB by switching OFF (down position) then back ON (up position), if the MCB continues to fail contact your dealer, as there is probably an equipment or wiring fault.
	No or deficient supply from site.	Contact site warden for assistance.
	Other fault.	Contact your dealer.
Reverse Polarity light is illuminated on PSU	Mains Supply reversed?	The reverse polarity light is designed to illuminate when the Live and Neutral supply has been reversed/crossed over. If the light illuminates there is a problem with the site supply or the cable connecting the supply to your vehicle. The light is designed to work on UK electrical supplies (where the neutral conductor is connected to earth at the sub station). If you are using your vehicle outside the UK this light may illuminate when no fault exists. In these cases consult the site warden for advice.
	Generator being used	The Reverse Polarity warning light is on when using my generator. This is a normal side effect when using some types of generator. Instead of connecting the neutral conductor to earth, some generators centre tap the earth connection making both neutral and live conductors 110V above earth. This 110V difference causes the neon polarity indicator to illuminate. In most cases it is still safe to use the generator, but please consult the generator handbook for further information.
Control Panel Problems	Control Panel has no display	Check batteries, turn EC325PSU charger switch on, and ensure mains supply is connected. Check control panel connecting lead at EC325PSU and behind Control Panel. Contact your Dealer.
	12V Power turns off	Battery save feature has operated to protect the vehicle battery and or the Leisure battery. See 3.7C. Engine has been started, all equipment has been disconnected to meet EMC requirements. See 4.4.
	Control Panel display corrupt/erratic function	Observe control panel handling instructions. Control panel software may have crashed. Reboot control panel by turning off the EC325PSU charger switch and removing fuses 1 & 2 at the EC325PSU (2x20A fuses for leisure and vehicle batteries). Wait 30 seconds then replace the fuses and turn the charger switch on. (Alternatively, remove the bezel at the control panel by pulling down in the centre of the bottom, unplug the control panel multi-way connector, wait 30 seconds, then plug back in and reassemble.
	Control Panel contrast poor	Observe control panel handling instructions. Remove control panel as above but do not unplug. Carefully adjust contrast preset (small adjuster) on back of control panel using jewellers screwdriver.




Fault	Possible Cause	Proposed Fix
Control Panel Problems (continued)	Control Panel current reading incorrect.	<p>Re-calibrate the current sensor as follows: With the charger switch turned off, and the power turned off at the control panel (no LED's on).</p> <p>Scroll down ▼ the display until battery current is shown.</p> <p>Hold down the select button ◀ (left arrow) until 'calibrating . . .' appears; keep the button pressed until the battery current reading re-appears. Release the button.</p> <p>Now repeat the process to store the new setting.</p> <p>Hold down the select button ◀ (left arrow) until 'calibrating . . .' appears; keep the button pressed until the battery current reading re-appears.</p> <p>The current reading should now be correct.</p>
No 12 volt output from PSU	No 230V supply.	Check all above.
	Charger not switched on.	Switch charger switch on (i) position, switch will illuminate.
	Battery not connected and / or charged.	Install charged battery as per 3.7.
	Power switch on control panel not switched to ON.	Turn power on at control panel.
	Battery flat/Battery fuse blown.	Recharge battery, check fuses, check charging voltage is present at battery.
	Fuse blown.	Check all fuses are intact and the correct value fuse is installed as per fuse table.
	Equipment switched off/ unplugged.	Check equipment is switched on and connected to the 12V supply.
	PSU overheated/auto shutdown operated.	Reduce load on system. Allow PSU to cool down. PSU will automatically restart when cool. See 3.2.
	Other fault.	Contact your Dealer.
Pump not working	Fuse blown.	Replace fuse.
	Pump turned off.	Turn pump on by pressing the pump button at the EC325 control panel (tap symbol).
	Setting incorrect.	<p>Both the internal and external pump feeds are controlled from the EC325 control panel. To alter the setting of the pump switch (tap button) see section 4.3.</p> <p>Ensure the setting matches your desired requirement.</p>

6 Technical Data & Approvals

6.1 Outline Specification

INPUT 230V	230 Volts / 0 to 16 Amps	+/- 10%
OUTPUT 230V	RCD protected, 3 x MCB outputs of 10, 10 and 6A via 2 x 9 way connectors	
INPUT 12V	2 x 20A battery inputs via a single 6 way connector	
SOLAR INPUT	1 x Dedicated solar panel input (20 to 100W panel) via a 4 way connector	
OUTPUT 12V	25A total output via 4 x 16A switched channels protected by 12 fused outputs via a 15 way connector	
Integrated CHARGER	Input 220-240 Volts AC +/- 10%, Frequency 50 Hz +/- 6%, Current 3A max. DC Output 13.5 Volts nominal, Current 25 Amps max (325 Watts).	
Signal INPUT	4 x Fresh water level, 2 x Waste water level, 1 x Engine running, 2 x battery temp sensor via a 10 way connector.	Fresh water negative sensed Waste water negative sensed
Data IN/OUT	Data communication and power to Control Panel via 20 way IDC header connector.	
IP rating	IP31	
Operating temperature	Ambient 0 to 35° Centigrade. PSU case temperature with full load 65°C Max.	Automatic shutdown and restart if overheated/

6.2 Solar Panel Input Connector

	Pin	Function	Wire Colour
	1	Positive (+) input	RED
	2	Not used	-
	3	Negative (-) input	BLACK
	4	Not used	-

EC500 POWER CONTROL SYSTEM

1 INTRODUCTION

This section of the handbook will guide you through the operation of the electrical system.

Further technical details are contained in sections 3 to 6 or in the supporting technical manual available from www.sargentltd.co.uk

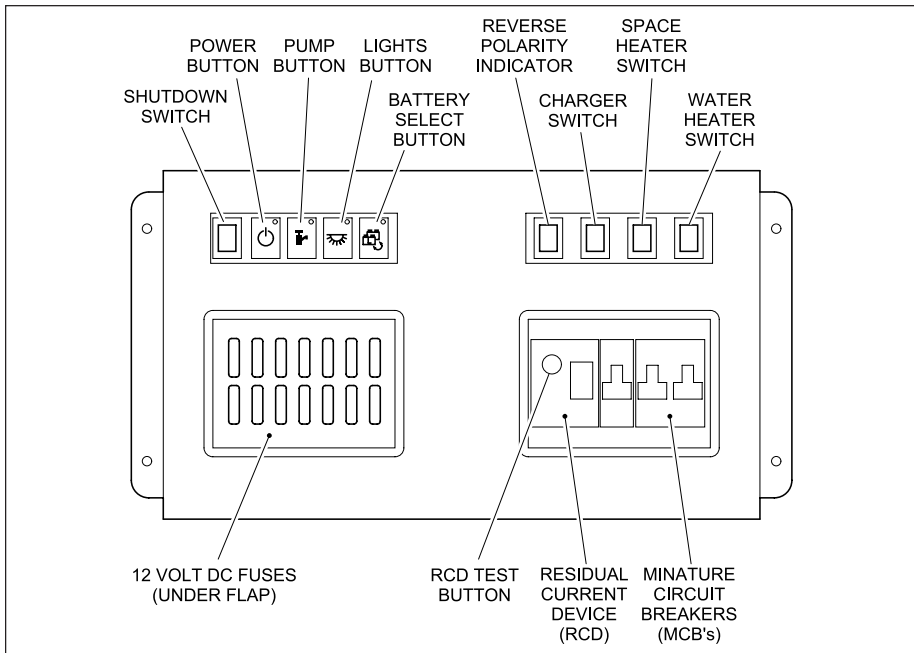
For the safe operation of all electrical equipment within your Leisure Vehicle it is important that you read and fully understand these instructions. If you are unsure of any point please contact your dealer / distributor for advice before use.

The system has a number of key components that you will need to be familiar with before attempting to use the system, these are:

- The EC500 series Power Supply Unit (PSU) -a combined mains consumer unit and 12V controller.
- The EC480 series Control Panel (CP) -a remotely located user control panel used to turn circuits on and off and to display battery and water tank information.
- The PX-300 Battery Charger / Power Supply – A separate, air cooled 300 Watt multi-stage power converter unit that charges the batteries and provides 12V DC power.
- The EM40 Interface Unit - This small unit is located at floor level behind the drivers' seat. The unit houses fuses for the fridge, vehicle battery, radio and other systems. It also provides connections for the optional tow bar harness.

2 USING THE SYSTEM

2.1 EC500 Power Supply Unit - Component Layout





2.2 Activating the System

The EC500 system has a shutdown feature that should be used when the vehicle is in storage or is not being used for long periods of time. This allows the leisure electronics to be turned off when not required to save battery power. When in the off state the alarm and tracking system supplies are still active, most other supplies are turned off.

Before using the system please ensure the system shutdown switch is in the on position (button in).

2.3 Connecting to the Mains 230V supply and Safety checks

For your safety it is IMPORTANT that you follow these connections instructions each time your Leisure Vehicle is connected to a mains supply. This section assumes that the system is complete and that a Leisure battery has been installed (see 3.5).

- A) Ensure suitability of the Mains Supply. Your Leisure Vehicle should only be connected to an approved supply that meets the requirements of BS7671 or relevant harmonised standards. In most cases the site warden will hold information regarding suitability of supply. If using a generator you also need to comply with the requirements / instructions supplied with the generator. Please note that some electronic generators may not be compatible with your leisure system. Further generator operational information is contained elsewhere in this manual.
- B) Switch the PSU internal Power Converter OFF. Locate the green 'Charger' power switch on the PSU and ensure the switch is in the off position (button out) before connection to the mains supply.
- C) Connect the Hook-up Lead. Firstly connect the supplied hook-up lead (orange cable with blue connectors) to the Leisure Vehicle and then connect to the mains supply.
- D) Check Residual Current Device operation. Locate the RCD within the PSU and ensure the RCD is switched on (lever in up position). Press the 'Test'







button and confirm that the RCD turns off (lever in down position). Switch the RCD back to the on position (lever in up position). If the test button failed to operate the RCD see section 3.14.





- E) Check Miniature Circuit Breakers. Locate the MCB's within the PSU (adjacent to the RCD) and ensure they are all in the on (up) position. If any MCB's fail to 'latch' in the on position see section 3.14.
- F) Turn the PSU ON. Locate the black 'Shutdown' button and ensure it is in the on position (press button to change, button in = on, button out = off). Locate the green 'Charger' switch on the PSU and turn to the on position (press button to change, button in = on, button out = off). The charger switch will illuminate when turned on.
- G) Check correct Polarity. Locate the 'Reverse polarity' indicator on the PSU and ensure that the indicator is NOT illuminated. If the indicator is illuminated see section 3.10.
- H) Check operation of equipment. It is now safe to operate the 12v and 230v equipment.

2.4 EC480 Digital Control Panel (Colour graphic display)



2.5 Control Panel Operation

EC480	Button Description
	<p>Power Button. Press the power button to turn the leisure power on. Press the button again to turn the power off. The adjacent LED will illuminate when the power is on, and also the voltage of the selected battery will be displayed on the screen. This button is also present on the PSU unit, so this feature can also be operated from the PSU.</p>
	<p>Pump Button. With the power on, press the pump button to turn the water pump on. Press the button again to turn the pump off. The adjacent LED will illuminate when the pump is on, and also the level of the water tank will be displayed on the screen. This button is also present on the PSU unit, so this feature can also be operated from the PSU.</p>
	<p>Light Button. With the power on, press the light button to turn the main internal lighting on. Press the button again to turn the lights off. The adjacent LED will illuminate when the lights are on. The lights will be turned on and off automatically each time the power button is operated. This button is also present on the PSU unit, so this feature can also be operated from the PSU.</p>
	<p>Battery Select. By default, the leisure battery is selected as the power source if no mains supply is present, or as the battery to be charged when the mains supply is available. To change the selected battery, press the vehicle battery select button. The selected or 'Active' battery is shown on the screen, and on EC300 panels is also indicated by the adjacent LED (LED off = Leisure battery, LED on = vehicle battery).</p>
	<p>Awning Light Button. With the power on, press the awning light button to turn the awning light on or off. The adjacent LED will illuminate when the light is on.</p>
	<p>Frost Protect Button. When the frost protection option has been installed, with the power on, press the frost protect button to turn on the water tank heating system. The adjacent LED will illuminate to show that the tank heating system is on. Note: This feature is NOT enabled at the time of manufacture.</p>

EC480	Button Description
	<p>Ceiling Light Button. This switch turns the ceiling lights on and off.</p>
	<p>Scroll Up. Use this button to scroll through the various menu / screen items or to make setting adjustments</p>
	<p>Select. Use this button to select options/items or to cancel alarms/warnings. <u>Note:</u> The screen illumination/backlight will turn off after a period of time. Press the select button to reactive the illumination.</p>
	<p>Scroll Down. Use this button to scroll through the various manu/screen items or to make setting adjustments.</p>

2.6 Remote Control



Systems fitted with the EC480 Control Panel also have an infrared remote control. This control can be used to control some of the control panel functions, as follows;



The power button works in the same manner as the control panel power button. Point the remote towards the control panel and press the button to turn the power on or off.



The 'B' button works the same as the control panel lights button. . Press the button to turn the lights on or off.

B



The 'A' button is used to turn on or off the dimmer circuit lights. Press the button to turn the lights on or off.

A



The left hand side up and down buttons are used to control the dimmer circuit lights. With the lights turned on, press the up button to increase the brightness, and press the down button to decrease the brightness.



Please note the right hand side up / down buttons and the 'C' button are for future use and have no function.

2.7 Operation while driving

The EC500 system is designed to shutdown parts of the system whilst the engine is running. This is to meet Electro Magnetic Compatibility (EMC) regulations and to ensure the safe operation of your motorhome.

Please ensure the system shutdown switch on the PSU is in the “on” (button in) position before driving (see 2.2). This will ensure the electronic system is active and will therefore be able to control the charging process, supply the refrigerator and monitor other system circuits.

When fitted, designated 12v sockets, en-route reading lights and en-route heating will remain operational while the engine is running.

If you hear a warning buzzer when the engine is started, please see the control panel display for details and also refer to section 3.11.

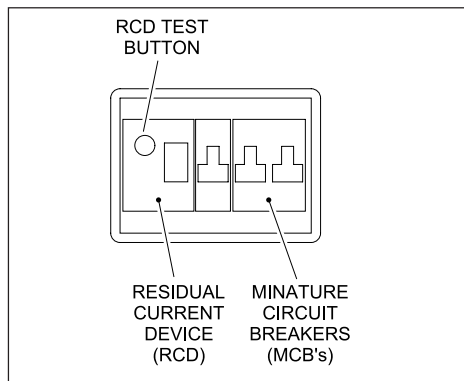
3 System Technical Information

The following section provides further technical information relating to the electrical system.

3.1 System Configuration

There are a number of dealer configurable features within the system. Your dealer will discuss these options with you and make the necessary adjustments as required. Should you wish to review the possible options / settings, further information can be sourced from www.sargentltd.co.uk

3.2 Residual Current Device & Miniature Circuit Breakers



The Residual Current Device (RCD) is basically provided to protect the user from lethal electric shock. The RCD will turn off (trip) if the current flowing in the live conductor does not fully return down the neutral conductor, i.e. some current is passing through a person down to earth or through a faulty appliance.

To ensure the RCD is working correctly, the test button should be operated each time the vehicle is connected to the mains supply (see section 2.3)

The Miniature Circuit Breakers (MCB's) operate in a similar way to traditional fuses and are provided to protect the wiring installation

from overload or short circuit. If an overload occurs the MCB will switch off the supply. If this occurs you should investigate the cause of the fault before switching the MCB back on.

The following table shows the rating and circuit allocation for the three MCB's

MCB	Rating	Output Wire Colour	Description
1	10 Amps	White	230v Sockets
2	10 Amps	White (Yellow for heater)	Extra 230v Sockets / Space Heater
3	10 Amps	Black (Blue for water heater)	Fridge / Water Heater / 12v Charger (internally connected)

3.3 Battery Charger

The EC500 system incorporates an intelligent three-stage battery charger / power converter.

During stage 1 the battery voltage is increased gradually while the current is limited to start the charging process and protect the battery. At stage 2 the voltage rises to 14.4V to deliver the bulk charge to the battery. When the battery is charged, the voltage is decreased at stage 3 to 13.6V to deliver a float charge to maintain the battery in the fully charged state. The charger can be left switched on continuously as required.

The battery charger / power converter also provides power to the leisure equipment when the mains supply is connected. This module supplies DC to the leisure equipment up to a maximum of 25 Amps (300 Watts), therefore the available power is distributed between the leisure load and the battery, with the leisure load taking priority as per the following example:

Leisure load	Available power for battery charging
5A	20A
10A	15A
15A	10A
20A	5A

WARNING: Under heavy loads the charger case may become hot. ALWAYS ensure any ventilation slots have a clear flow of air. Do not place combustible materials against/adjacent to the charger.

3.4 Smart Charging

The EC500 system incorporates a smart charge feature, which monitors both leisure and vehicle batteries and automatically adjusts and directs the charger power (and solar power if a solar panel is installed) to maintain the leisure and vehicle batteries at an optimal level.

3.5 Leisure Battery

3.5.1 Type / Selection

For optimum performance and safety it is essential that only a proprietary brand LEISURE battery is used with a typical capacity of 75 to 120 Ah (Ampere / hours). A normal vehicle battery is NOT suitable. This battery should always be connected when the system is in use.

The PSU is configured to work with standard lead acid leisure batteries, and in most cases is also compatible with the latest range of Absorbed Glass Matt (AGM) batteries. Before fitting non-standard batteries please check that the charging profile described in 3.3 is suitable for the type of battery by referring to the battery documentation or battery manufacturer.

Some vehicle installations can cater for two leisure batteries connected in parallel. In these cases it is recommended that two identical batteries are used.

The battery feed is fitted with an inline fuse between the battery and the electrical harness, and is usually located immediately outside the battery compartment or within 500mm of the battery. The maximum rating of this fuse is 20A per battery. If a single battery is fitted to a motorhome, this fuse may be increased to 30A, however if two batteries are fitted each battery should be fused at a maximum of 20A.

3.5.2 Installation & Removal

Always disconnect the 230v mains supply and turn the PSU green charger switch to the off position (button out) before removing or installing the battery.



When connecting the battery, ensure that the correct polarity is observed (black is negative [-] and red is positive [+]) and that the terminals are securely fastened. Crocodile clips must not be used.

WARNING: Explosive gases may be present at the battery. Take care to prevent flames and sparks in the vicinity of the battery and do not smoke.

3.5.3 Operation / Servicing

Under normal circumstances it should not be necessary to remove the battery other than for routine inspection of the terminals and “topping up” of the battery fluid where applicable. Please see instructions supplied with the battery.

Note: Do not over discharge the battery. One of the most common causes of battery failure is when the battery is discharged below the recommended level of approximately 10v. Discharging a battery below this figure can cause permanent damage to one or more of the cells within the battery.

To prevent over discharge, the EC500 system incorporates a battery protect circuit that warns the users and then disconnects the batteries when they fall below set values.

If the power is turned on and the leisure battery level falls below 9V a warning beep will be heard and information will be shown on the screen. To cancel the warning, press the select button.

If the power is turned on and the vehicle battery level falls below 10.9V a warning beep will be heard and information will be shown on the screen. If no action is taken the system will switch over from the vehicle battery to the leisure battery. To cancel the warning, press the select button.

These warnings will not be repeated unless the power switch is turned off and on again. This is to ensure the warning does not become a nuisance.

Battery	Cut off	Action after cut off	Notes
Vehicle	10.9V	Battery selection is changed from Vehicle battery to Leisure battery. If the leisure battery is below 9V then a further warning will occur (see below).	This cut off level is designed to protect the vehicle battery from over discharge. The 10.9V level ensures there is sufficient power in the battery to run the vehicle electronics and start the vehicle. This cut off only applies to power drawn from the battery by the leisure equipment; it will not protect the battery if you leave vehicle circuits switched on, such as the road lights.
Leisure	9V	Power is turned off	This is an emergency cut off level to protect the battery from severe damage. You should not rely on this cut off level during normal operation, but manage your power consumption to a discharge level of 10V. This cut off only applies to power drawn from the battery by the leisure equipment that is controlled by the control panel power switch; it will not protect the battery from discharge by permanently connected equipment.



3.6 Solar Charge Management

The EC500 PSU incorporates a built-in solar charge management feature, which will control the input from a solar panel (when fitted, maximum rating 120W). Depending on the charge state of the batteries, the solar power will be directed to the required battery, and continuously monitored to ensure optimum operation. For this system to operate intelligently, the shutdown button should be left switched on. If the shutdown button is turned off then the solar panel will charge the leisure battery only.

3.7 Water System Operation

The control panel pump button operates the internal (onboard) water pump. This pump will draw water from the internal (onboard) water tank.

The water tanks (fresh & waste) incorporate a level warning feature to warn the user when the fresh water level drops below 25% or when the waste water level reaches 100%.

If the water pump power is turned on and the fresh water level drops to below 25% a warning beep will be heard information will be shown on the screen. To cancel the warning, press the select button.

If the water pump power is turned on and the waste water level rises to full (100%) a warning beep will be heard and information will be shown on the screen. To cancel the warning, press the select button.

These warnings will not be repeated unless the water pump power switch is turned off and on again. This is to ensure the warning does not become a nuisance.

3.8 Frost Protection

On vehicles fitted with water tank frost protection, the EC480 control panel frost protect switch can be used to turn the feature on or off.

Note: This feature is NOT enabled at the time of manufacture.

3.9 Awning Light Operation

The awning light is control by the control panel awning / aux button. The awning light is also linked to the remote door locking. If the doors are locked or unlocked the light will illuminate for a short period of time. This is a dealer configurable item.

3.10 Electric Step Operation

On vehicles fitted with an electric step, this is operated by a button near the entry door. Press and release the button to move the step in or out. One press of the button will move the step out, a further press will move the step in again.

If the engine is started the step will move in automatically, after a short warning buzzer. If this operation fails due to an obstacle or mechanical failure a buzzer will sound continuously to warn that the step is still in the out position, and therefore requires your attention.

The electric step is also linked to the remote door locking. If the doors are unlocked the step will move out, if the doors are locked the step will move in. This is a dealer configurable item, and can be turned off if not required.



3.11 System Warnings

The system incorporates a number of warnings that are active at specific times. These are summarised below, and also covered by relevant sections of this manual.

Warning	When	Type
Fresh water level low	With pump turned on and fresh water level low (less than 25% full)	Message on screen and 1 minute audible beep
Waste water level full	With pump turned on and waste water level full (tank level 100%)	Message on screen and 1 minute audible beep
Vehicle battery voltage low	With control panel power on and vehicle battery selected (as active battery) and voltage level below 10.9V	Message on screen and 1 minute audible beep. If no action taken after 1 minute then the system will switch to the leisure battery
Leisure battery voltage low	With control panel power on and leisure battery selected (as active battery) and voltage level below 9V	Message on screen and 1 minute audible beep. If no action taken after 1 minute then the system will switch the power of to prevent over discharge of the battery
Alarm clock active	When alarm has been turned on and alarm time has been reached	Message on screen and 1 minute audible beep
Engine running	When the engine is started the system power will be turned off	Message on screen, on EC480 this will remain visible for 1 minute
Step still out	When the engine is started and the step has failed to retract automatically	Message on screen and rapid beeps from the control panel. The beeping will not stop until the fault is cleared.
Mains lead (hook-up cable) still connected / plugged in	When the engine is started and the mains cable is still plugged in and switched on	Message on screen and repeated beeps from the control panel. The beeping will not stop until the fault is cleared.

3.12 Event Timer Operation

The event timer is designed to allow the motorhome user to turn the 12v power on or off (in the same way as using the control panel power button) without being in the vehicle. This allows lights or other equipment to be turned on or off at a predetermined time.

Example - to turn on one interior light at 11.00pm for 1 hour

Ensure the clock is set to the correct time

EC480

Scroll to the System Time Setting screen

Follow the instructions in section 4 to set the ON time to 23:00 and the OFF time to 24:00

Set the Timer to ON

A stopwatch symbol will appear in the header area to indicate the timer is set

Turn all lights and 12v equipment off in the vehicle except the light that you want the event timer to automatically switch on

Exit the vehicle At 11:00pm (23:00) the control panel will switch the 12v power on and therefore any equipment that was left switched on will be turned on. The 12v power will be switched off at Midnight (24:00).

3.13 12 Volt DC Fuses

WARNING: When replacing fuses always replace a fuse with the correct value. NEVER replace with a higher value/rating as this could damage the wiring harness. If a replacement fuse 'blows' do not keep replacing the fuse as you could damage the wiring harness. Please investigate the fault and contact your dealer.

The following table shows the fuse allocation for the 15 fuses fitted to the PSU. Please note that fuses are dependant on PSU versions, so not all fuses may be present.

Fuse	Rating	Fuse Colour	Description
1	10 Amps	Red	Toilet
2	5 Amps	Tan	Ignitions
3	10 Amps	Red	Electric Step
4	10 Amps	Red	Water Pumps
5	10 Amps	Red	Permanent Supplies
6	20 Amps	Yellow	Leisure Battery
7	20 Amps	Yellow	Vehicle Battery
8	10 Amps	Red	Fans
9	10 Amps	Red	Power Circuits
10	10 Amps	Red	Lighting Circuit 1
11	10 Amps	Red	Lighting Circuit 2
12	10 Amps	Red	En-route Circuits
13	10 Amps	Red	Tank Heaters
14	10 Amps	Red	Future Supply
15	25 Amps	White	Charger (fitted internally to PSU)

The following table shows details of the fuse(s) located at the Leisure battery.

Fuse	Rating	Fuse Colour	Description
Battery 1	20 Amps	Yellow	Fuse remotely located near battery
Battery 2	20 Amps	Yellow	Fuse remotely located near battery 2 (where fitted)

The following table shows details of the fuse(s) located at the EM40 Interface Unit

Fuse	Rating	Fuse Colour	Description
1			Spare location
2	5 Amps	Tan	Marker Lights
3	20 Amps	Yellow	Tow Bar +
4	20 Amps	Yellow	Vehicle Battery
5			Spare location
6	20 Amps	Yellow	Fridge +
7	20 Amps	Yellow	Tow Bar D+
8	20 Amps	Yellow	Fridge D+



3.14 Common Fault Table

Fault	Possible Cause	Proposed Fix
No 230 volt output from PSU	Connecting lead between the site and Leisure Vehicle not connected	Check and connect lead as per 2.3C
	RCD switched off	Reset RCD as per 2.3D
	RCD not operating	Check supply polarity; if the RCD continues to fail contact your Dealer as there is probably an equipment or wiring fault
	MCB switched off	Reset MCB by switching OFF (down position) then back ON (up position), if the MCB continues to fail contact your Dealer as there is probably an equipment or wiring fault
	No or deficient supply from site	Contact site Warden for assistance
Reverse Polarity light is illuminated	Mains Supply reversed?	The reverse polarity light is designed to illuminate when the Live and Neutral supply has been reversed/crossed over. If the light illuminates there is a problem with the site supply or the cable connecting the supply to your vehicle. The light is designed to work on UK electrical supplies (where the neutral conductor is connected to earth at the sub station). If you are using your vehicle outside the UK this light may illuminate when no fault exists. In these cases consult the site warden for advice.
	Generator being used	'The Reverse Polarity warning light is on when using my Generator'. This is a normal side effect when using some types of generator. Instead of connecting the neutral conductor to earth, some generators centre tap the earth connection making both neutral and live conductors 110V above earth. This 110V difference causes the neon polarity indicator to illuminate. In most cases it is still safe to use the generator, but please consult the generator handbook for further information.
Control Panel problems	Control Panel has no display	Backlight/illumination may have switched off. Press the select button to reactivate the backlight.
		Check batteries and fuses, turn PSU shutdown switch and charger switch on and ensure mains supply is connected.
		Check control panel connecting lead at PSU and behind Control Panel
		Contact your Dealer
	12V power turns off	Battery protect feature has operated to protect the Vehicle battery and or the Leisure battery. See 3.5.3.
Engine has been started, all equipment has been disconnected to meet EMC requirements. See 2.7.		
Control Panel locked/erratic function	Observe control panel handling instructions. Control panel software may have crashed. Reboot control panel by turning off the PSU isolate switch. Wait 30 seconds then turn the switch back on.	
No 12 volt output from PSU	No 230V supply	Check all above
	Charger not switched on	Turn charger switch on, switch will illuminate
	Battery not connected and/or charged	Install charged battery as per 3.5

Continued next page

3.14 Common Fault Table (continued)

Fault	Possible Cause	Proposed Fix
No 12 volt output from PSU (continued)	Power button on control panel not switched to on	Turn power on at control panel
	Battery flat / Battery fuse	Recharge battery, check fuses, check charging voltage is present at battery
	Fuse blown	Check all fuses are intact and the correct value fuse is installed as per fuse table
	Equipment switched off / unplugged	Check equipment is switched on and connected to the 12V supply
	PSU overheated / auto shutdown operated	Reduce load on system. Allow PSU to cool down. PSU will automatically restart when cool
	Other fault	Contact your Dealer
Pump not working	Fuse blown	Replace fuse with correct value as per fuse table
	Pump turned off	Turn pump on by pressing the pump button at the control panel
	Setting incorrect	Both the internal and external pump feeds are controlled from the control panel. To alter the setting of the pump switch see your dealer. Ensure the setting matches your desired requirement.

3.15 Contact details

Sargent Electrical Services Limited, provide a technical help line during office hours. Please contact 01482 678981 if you require technical help. For out of hour support please refer to the tech support section of the Sargent web site www.sargentltd.co.uk

4 EC480 Control Panel

In addition to the information contained in section 2.5 (Control Panel Operation), the following section provides further detail information.

4.1 Backlight Operation

The screen backlight (illumination) is turned on and off automatically. When operating on battery power only the backlight time is 30 seconds. When operating on mains power the backlight time is increased to 2 minutes. Pressing the select button will reactivate the backlight.

If the large clock screen is selected (see 4.4.4 below) and the mains supply is on then the backlight will remain on continuously.

4.2 Header Area



The header area of the screen shows the following information;

At the left, the external temperature in centigrade

At the right, the internal temperature in centigrade

In the centre, the current time (24 hour clock)

In addition to the above, the following symbols (when shown) indicate;



Mains supply connected and charger switched on



Alarm clock set



Event timer set

4.3 Footer Area

System TIME settings (Press < to edit)

The footer area of the screen shows details of the current information screen, and may also show additional information during specific operations.

4.4 Information Area

The main information area can display a variety of system information screens. These have been designed to present the information in a clear and concise form, while retaining technical detail for the more advanced users.

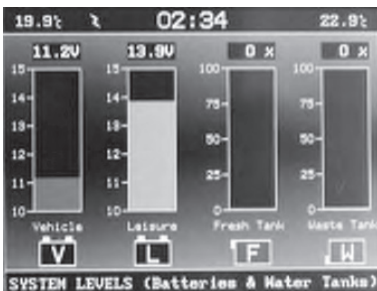
The selected screen can be changed by using the down or up buttons, and work on a continuous loop basis. The selected screen may be changed automatically by the system depending on the action being performed.

4.4.1 Splash Screen



This screen shows the header and footer detail, along with the Auto-Sleepers logo.

4.4.2 System Levels Screen



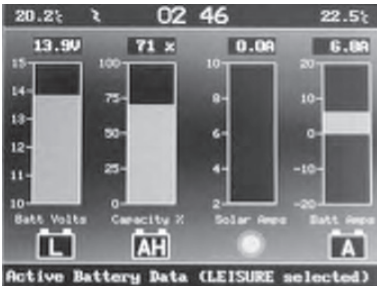
This screen shows, from left to right;

- [V] Vehicle battery voltage gauge. This gauge shows the voltage of the Vehicle battery in bar format, with the precise reading shown at the top of the bar. The actual bar changes colour according to the battery voltage. Less than 10.9V = red (Poor), 10.9V to 11.8V = yellow (Fair), 11.9V to 14.4V = green (Good).
- [L] Leisure battery voltage gauge. This gauge shows the voltage of the Leisure battery in bar

format, with the precise reading shown at the top of the bar. The actual bar changes colour according to the battery voltage. Less than 10.9V = red (Poor), 10.9V to 11.8V = yellow (Fair), 11.9V to 14.4V = green (Good).

- [F] Fresh water level gauge. This gauge shows the level of water in the Fresh water tank, with the reading also shown at the top of the bar. The actual bar changes colour according to the water level. 25% = red, 50% = yellow, 75% and above = green.
- [W] Waste water level gauge. This gauge shows the level of water in the Waste water tank, with the reading also shown at the top of the bar. The actual bar changes colour according to the water level. 25% = green, 50% = yellow, 75% and above = red.

4.4.3 Active Battery Screen



This screen is automatically selected when the battery select button is operated. The battery symbol bottom left will contain a 'L' if the leisure battery is selected and a 'V' if the vehicle battery is selected. From left to right;

- [L or V] Active battery voltage gauge. This gauge shows the voltage of the Active battery (the currently selected battery) in bar format, with the precise reading shown at the top of the bar. The actual bar changes colour according to the battery voltage. Less than 10.9V = red (Poor), 10.9V to 11.8V = yellow (Fair), 11.9V to 14.4V = green (Good).
- [AH] Leisure battery calculated capacity (percentage of Amp Hours). When the leisure battery is active (selected), this gauge will be shown. The gauge shows the predicted charge capacity of the battery. As the battery is charged this gauge will increase, as the battery is discharged (used) this gauge will reduce. This can provide a useful indication of usable battery power.
- [SUN] Solar panel ammeter. This gauge shows the current in Amps that is being provided by the solar panel (when fitted). The system will decide which battery to direct the solar power to. This is based on system logic (see section 3.6) and is indicated by a 'L' or 'V' in the centre of the sun logo.
- [A] Battery ammeter. This gauge shows the current in Amps going into or out of the Active (selected) battery. Positive current (+) indicates charging of the battery, and is indicated by a green bar. Negative current (-) indicated discharging of the battery, and is indicated by a yellow bar (low discharge) or red bar (high discharge).



4.4.4 Large Clock Screen



This screen shows a large display clock in 24 hour format.

4.4.5 Time and Timer Event Settings Screen



This screen is used to adjust any of the system times and to set the alarm clock or event timer. Press the select button to move through each setting. Press the up / down buttons to adjust the setting.

- Set Clock Time. First adjust the hour using the up / down buttons, then press select again to move to minutes and adjust with the up / down buttons.
- Set Alarm Time. Press the select button to move to alarm hour setting. Press the up / down buttons to adjust the setting, then press select again to move to minutes and adjust with the up / down buttons. Press select again to move to alarm on / off. Press the up / down buttons to adjust the setting. If the alarm is turned on, a bell symbol will be shown in the header area.
- Set Timer event on Time. Press the select button to move to timer hour setting. Press the up / down buttons to adjust the setting, then press select again to move to minutes and adjust with the up / down buttons.
- Set Timer event off Time. Press the select button to move to timer hour setting. Press the up / down buttons to adjust the setting, then press select again to move to minutes and adjust with the up / down buttons. Press select again to move to timer on / off. Press the up / down buttons to adjust the setting. If the timer is turned on, a stopwatch symbol will be shown in the header area.
- Press select again to exit the settings

4.4.6 System Warnings Screens



The system can display a number of warnings. The control panel will beep and display the appropriate message. Press the select button to cancel the warning.

See sections 3.4B and 3.8 for an explanation of typical system warnings.



5 EC300 Control Panel

Display	Description	Options / Notes
EC300 v2.20 12:00 23.90°C	Main Control Panel display showing model number (EC300), software version number, current time (12:00) and Internal temperature (23.9°C) in centigrade	The addition of a asterisk (*) in the top left of the display indicates that the alarm is set. The addition of a hash (#) in the top right of the display indicates that the event timer is set. The addition of the letters 'AC' in the centre of the display indicates that the AC Mains supply is switched on.
Leisure Battery 12.5v (Good)	Voltage reading and battery condition description for the on-board leisure battery See also 3.5.3	Less than 10.9 = (Poor) 10.9 to 11.8 = (Fair) 11.9 to 14.4 = (Good)
Vehicle Battery 13.3v (Good)	Voltage reading and battery condition description for the vehicle battery See also 3.5.3	Less than 10.9 = (Poor) 10.9 = 11.8 = (Fair) 11.9 to 14.4 = (Good)
Mains Supply ON	Indication of the 230V mains supply	ON = mains supply on OFF = mains supply off
Fresh Water 25% Full	Water level in the fresh water tank (5 measurement levels) If the water pump power switch is turned ON and the water level drops below 25% a warning beep will be heard and the LCD display will flash. To cancel the warning, press the select (◀) button. The warning will not be repeated unless the water pump power switch is turned off and on again. This is to ensure the warning does not become a nuisance.	0% <= 1/4 Full (Nearly empty) 25% >= 1/4 Full 50% >= 1/2 Full 75% >= 3/4 Full 100% = Full
Waste Water 0% Full	Water level in the waste water tank (5 measurement levels) If the water pump power switch is turned ON and the waste water level rises to 100% a warning beep will be heard and the LCD display will flash. To cancel the warning, press the select (◀) button. The warning will not be repeated unless the water pump power switch is turned off and on again. This is to ensure the warning does not become a nuisance.	0% <= 1/4 Full (Nearly empty) 25% >= 1/4 Full 50% >= 1/2 Full 75% >= 3/4 Full 100% = Full
External Temp 20.5°C	External temperature (in degrees centigrade) as measured by the external temperature probe	



5 EC300 Control Panel (continued)

Tank Heaters ON	Shows the status of the Tank Heaters (on / off) (when fitted). Press the select button (◀) to switch between OFF and ON	The addition of a tank symbol () in the top centre of the main EC325 display indicates that the tank heater are on
Battery Current 5.4 Amps	Current (in Amps) being drawn from or charged into the selected battery. If a solar panel is fitted this display will include the current being provided by the solar panel	Negative figure (-) = current being drawn from the selected battery Positive figure = current being used to charge the selected battery
Water Tank Fill? (Start 1 Min)	Allows operation of the External pump for a period of one minute (for filling the internal tank from the external tank) Use the select button (◀) to START (or STOP)	Will have no effect if the External pump is already switched on (see above) Will not operate if the Internal (Fresh) water tank is showing 100% Full
Clock Set? 12:00	Access to set the internal clock Press the select button (◀) to select HOUR Use the up/down (▲▼) buttons to change Press the select button (◀) to select MINUTE Use the up/down (▲▼) buttons to change Press the select button (◀) to exit	Please note the clock uses a 24 hour cycle
Alarm Set? 12:00	Access to set the alarm clock Press the select button (◀) to select hour Use the up/down (▲▼) buttons to change Press the select button (◀) to select MINUTE Use the up/down (▲▼) buttons to change Press the select button (◀) to exit	Please note the alarm uses a 24 hour cycle
Alarm = OFF	Shows the alarm clock status (on/off) Press the select button(◀) to switch between OFF or ON	The addition of a asterisk (*0 in the top left of the main EC325 display indicates that the alarm is set



5 EC300 Control Panel (continued)

Display	Description	Options / Notes
Set Event Timer?	<p>Access to set the event timer Press the select button (◀) to select HOUR ON Use the up/down (▲▼) buttons to change Press the select button (◀) to select MINUTE ON Use the up/down (▲▼) buttons to change Press the select button (◀) to select HOUR OFF Use the up/down (▲▼) buttons to change Press the select button (◀) to select MINUTE OFF Use the up/down (▲▼) buttons to change Press the select button (◀) to exit</p>	<p>Please note the event timer uses a 24 hour cycle The event timer is used to switch the control panel power on and off in the absence of the user/ occupier. See section 3.12 for further details</p>
Event Timer = Off 12:00 till 12:00	<p>Shows the event timer status (OFF/ON) and the current On and Off times Press the select button (◀) to switch</p>	<p>The addition of a hash (#) in the top right of the main EC300 display indicates that the event timer is set</p>
Vehicle Battery Dangerously Low	<p>This WARNING display indicates that the Vehicle battery voltage is low (10.9 volts or less). The panel will beep for one minute and then switch over to the Leisure Battery to prevent draining the Vehicle battery.</p>	<p>You can switch over to the Leisure battery immediately (and cancel the beep) by using the battery selector switch</p>
Leisure Battery Dangerously Low	<p>This WARNING display indicates that the Leisure battery voltage is low (6 volts or less). The panel will beep for one minute and then switch the power off to prevent damage to the leisure battery.</p>	<p>See section 3.11 for further details</p>
System disabled Engine started	<p>This WARNING display indicates that the system has been disabled because the vehicle engine is running</p>	<p>EMC (Electro Magnetic Compatability) directive 89/336/EEC requires that electrical accessories within the vehicle are disconnected while the vehicle is in motion</p>



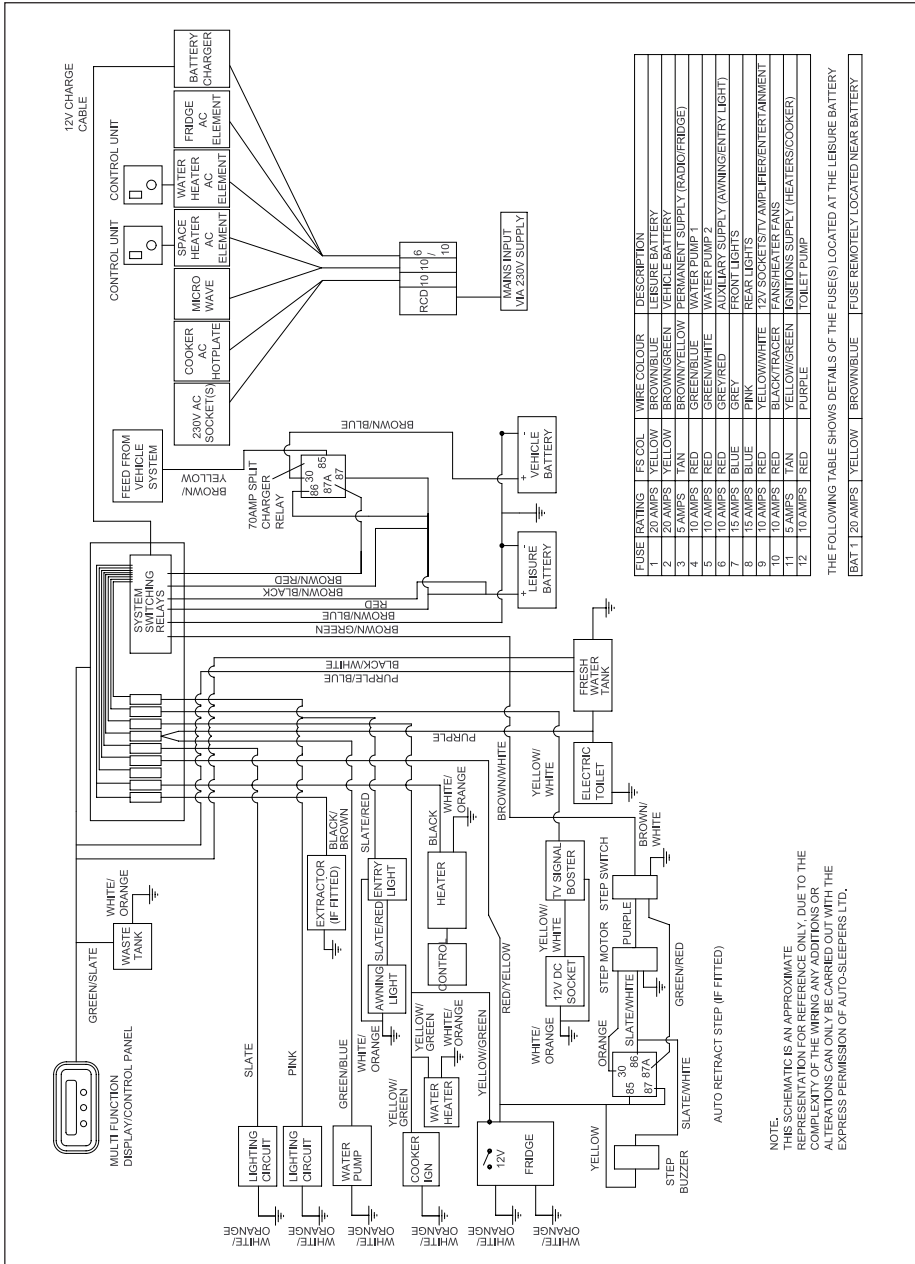
6 TECHNICAL DATA & APPROVALS

6.1 Outline specification -EC500PSU & EC300, EC480 Control Panel

INPUT 230V	230 Volts / 0 to 16 Amps	+ / - 10%
OUTPUT 230V	RCD protected, 3 x MCB outputs fo 10A Separate switched channels for water heater, space heater and charger	
INPUT 12V	2 x 20A battery inputs via 2 x 4 way connectors	
SOLAR INPUT	1 x Dedicated solar panel input (20 to 100W panel) via a 4 way connector	
OUTPUT 12V	25A total output via multiple switched channels protected by 14 fused outputs	
CHARGER	Input 220-240 Volts AC +/- 10%, Frequency 50 Hz +/- 6%, Current 3A max. DC Output 13.6 to 14.4 Volts nominal, Current 25 Amps max (300 Watts) Overall size (HxWxD) 50 x 250 x 135mm	Fixing centres 128*128mm 1.2kg
Signal INPUT	4 x Fresh water level, 4 x Waste water level, 1 x Engine running, plus multiple vehicle connections	Fresh water negative sensed Waste water negative sensed
Data IN / OUT	CANBUS Data communication and power to Control Panel via 6 way connector	
IP rating	IP31	
Operating temperature	Ambient 0 to 35° Centigrade PSU case temperature with full load 65°C Max	Automatic shutdown and restart if overheated/overloaded
EC500PSU	Overall size (HxWxD) 315 x 195 x 150mm Clearances 75mm above, 50mm left and right	Weight 2.9kg
EC300, EC480 Control Panel	Overall size (HxWxD) 80 x 194 x 25mm Cut-out size (HxW) 60 x 165mm	Fixing centres 178mm Weight 140g



12V/230V WIRING DIAGRAM





TECHNICAL DATA

Base Vehicle Data

For all matters relating to the base vehicle, and particularly tyre pressures, refer to the base vehicle instruction book or if in doubt consult your local base vehicle commercial dealer.

Weights, Dimensions and Capacities

Before using your Auto-Sleeper you should be fully conversant with all matters relating to weights. The following definitions should be fully understood and then related to the tabulated base vehicle weight data.

Weights

Details of vehicle weights are found below, and are presented in the manner prescribed in the European Standard EN1646-2 for Payloads. All weights are in kilograms (kg).

Take care to ensure that heavy loads are stored low down in bed boxes and low cupboards, and distribute weight evenly side to side as far as possible.

Note 1: Please take care to ensure that you have allowed for the masses of all items you intend to carry in the motor caravan, e.g. passengers, optional equipment, essential habitation equipment and personal effects such as clothing, food, pets, bicycles, sailboards, sports equipment, etc.

Note 2: Warning - Under no circumstances should the maximum technically permissible laden mass of this motor caravan, or its individual axles, be exceeded.

DEFINITIONS

Maximum Technically Permissible Laden Mass (MTPLM)

The Maximum Technically Permissible Laden Mass is a figure given by the manufacturer of the base vehicle. It is the combined maximum permitted weight of the vehicle and all of its contents, both inside and out. The MTPLM is unaffected by the Auto-Sleeper conversion.

Mass in Running Order (MRO)

The Mass in Running Order is defined as the mass of the standard converted vehicle with bodywork including the following:

- Coolants (oil and water)
- 90% of automotive fuel
- Spare wheel
- Crockery
- Washer fluid
- Tools
- Driver (at 75 kg, 11st 12lb)
- Fire extinguisher

All other optional equipment whether on the base vehicle or part of the conversion is excluded from the mass in running order.

Mass of the User Payload

The Mass of the User Payload is the difference between the MPTLM and the MRO. It is the motor caravans carrying capacity for everything placed in or on the vehicle, including the passengers. Please note that a driver (at 75kg, 11st 12lb) is included in the MRO. Everything listed in italics below must be subtracted from the payload.

Mass of the Conventional Load

The Conventional Load is the mass of the passengers carried and must be subtracted from the payload. The "EC standard person" weighs 75kg (11st 12lb). The user should adjust the figure according to the mass and number of passengers carried. Motorhome Manufacturers designate passenger seats as being suitable for travelling, and provide seat belts accordingly. Multiplying the weight of the passengers by the number of passengers gives the Conventional Load. Please note that a driver (at 75kg, 11st 12lb) is included in the MRO.



Essential Habitation Equipment

For the purpose of EN1646-2, the mass of the Essential Habitation Equipment includes the mass of the following:

- the LPG cylinders, 90% full.
- the freshwater tank, 90% full.
- the water heater system, full.
- the waste water tank, empty.
- the toilet system flushing tank, full.
- the toilet system holding tank, empty.

All of these must be subtracted from the user payload.

Auto-Sleepers include the low voltage (230V) connection cable and the second battery in the mass in running order.

Options, Personal Effects and Accessories

When options, personal effects and accessories are fitted or carried the mass must be subtracted from the user payload. All optional equipment whether on the base vehicle or part of the conversion is excluded from the mass in running order. Personal effects are any items of any description carried by the vehicle.

To determine accurately if a vehicle is exceeding one of its maximum technically permissible laden masses, the vehicle with all of its load (that is passengers, contents, luggage and external load) should be weighed on a weighbridge.

You may wish to allocate the user payload to suit your own use. For example, to increase the available payload, the water system may be emptied. If the vehicle is not being used for camping the gas bottles can be left at home to increase the mass available for other items.

Gross Train Mass (GTM)

If you are towing a trailer with your Auto-Sleeper, the Gross Train Weight is the maximum allowable weight of the towing vehicle, the trailer and the mass of every item carried. The GTM is given by the base vehicle manufacturer and is unaffected by the Auto-Sleeper conversion. Please check your driving licence to ensure you are allowed to drive a vehicle combination at this weight.

Maximum Braked Trailer Mass (MBTM)

This is the maximum allowable weight of the trailer together with its load, provided the trailer has a braking system, which complies with the local Construction and Use Regulations. The MBTM is given by the base vehicle manufacturer and is unaffected by the Auto-Sleeper conversion.

MTPLM of the Axles

The individual axles also have MTPLM's. The sum of the two axle MTPLM's usually exceeds the overall vehicle MTPLM, but this does not mean you can load each axle to its maximum, because doing so would exceed the overall MTPLM of the whole vehicle.



WEIGHT AND DIMENSION DATA

WEIGHT DATA TABLE

All weights in kg

MODEL	BROADWAY	EB	EK
		2.2 HDi	2.2 HDi
(Data for standard roof version)		Low Profile	Overcab
Vehicle Designation		335 L2	335 L2
MTPLM		3500	3500
Mass in Running Order		2985	3016
Mass of the User Payload		515	484
Designated Passenger Seats (excluding driver)		1	3
Conventional Load @ 75kg per person)		75	225
Essential Habitation Equipment		140	140
Personal Effects (standard minimum figure)		83	103
Remainder for Personal Effects / Options / Accessories		217	16
Optional Awning		30	30
Optional Microwave Oven		10	10
Optional Solar Panel		5	5
Gross Train Mass		5100	5100
MBTM		1600	1600
Axle Weights			
Front, in Running Order		1412	1438
Rear, in Running Order		1573	1578
MTPLM Front		1850	1850
MTPLM Rear		2000	2000



WEIGHT AND DIMENSION DATA (continued)

WEIGHT DATA TABLE

All weights in kg

MODEL	BROADWAY	EK TB	EL DUO
		2.2 HDi	2.2HDi
(Data for standard roof version)		Low Profile	Low Profile
Vehicle Designation		335 L2	335 L2
MTPLM		3500	3400
Mass in Running Order		2919	2946
Mass of the User Payload		581	454
Designated Passenger Seats (excluding driver)		1	1
Conventional Load @ 75kg per person)		75	75
Essential Habitation Equipment		140	140
Personal Effects (standard minimum figure)		83	83
Remainder for Personal Effects / Options / Accessories		284	156
Optional Awning		30	30
Optional Microwave Oven		10	10
Optional Solar Panel		5	5
Gross Train Mass		5100	5100
MBTM		1600	1600
Axle Weights			
Front, in Running Order		1351	1421
Rear, in Running Order		1568	1525
MTPLM Front		1850	1850
MTPLM Rear		2000	2000



WEIGHT AND DIMENSION DATA (continued)

DIMENSIONAL DATA

MODEL	BROADWAY	EB	EK
(Data for standard roof version)		Low Profile	Overcab
Base Vehicle Manufacturer		Peugeot	Peugeot
Base Vehicle Model		335 L2	335 L2
Wheelbase		3450	3450

METRIC DIMENSIONS (mm)

Overall Length		6280	6280
Overall Width (mirrors extended)		2690	2690
Overall Width (mirrors folded)		2320	2320
Overall Height		2970	3005
Internal Height (maximum)		1960	2240
Internal Height (minimum)		1960	1960
Double bed, transverse		2100 x 1350	2100 x 1900
Single bed, nearside		1930 x 700	1930 x 680
Single bed, offside		1930 x 700	1900 x 930
Overcab bed		n/a	1900 x 1300
Fresh water tank capacity (litres)		102	102
Waste water tank capacity (litres)		71	71
Gas bottles, Butane		2 x 7 kg	2 x 7 kg
Gas bottles, Propane		2 x 6 kg	2 x 6 kg



WEIGHT AND DIMENSION DATA (continued)

DIMENSIONAL DATA

MODEL	BROADWAY	EK TB	EL DUO
(Data for standard roof version)		Low Profile	Low Profile
Base Vehicle Manufacturer		Peugeot	Peugeot
Base Vehicle Model		335 L2	335 L2
Wheelbase		3450	3450

METRIC DIMENSIONS (mm)

Overall Length		6280	6280
Overall Width (mirrors extended)		2690	2690
Overall Width (mirrors folded)		2320	2320
Overall Height		2970	2970
Internal Height (maximum)		1960	1960
Internal Height (minimum)		1960	1960
Double bed, transverse		2100 x 1860	2100 x 1300
Single bed, nearside		1930 x 700	1930 x 700
Single bed, offside		1860 x 700	1930 x 700
Overcab bed		n/a	n/a
Fresh water tank capacity (litres)		102	102
Waste water tank capacity (litres)		71	71
Gas bottles, Butane		2 x 7 kg	2 x 7 kg
Gas bottles, Propane		2 x 6 kg	2 x 6 kg

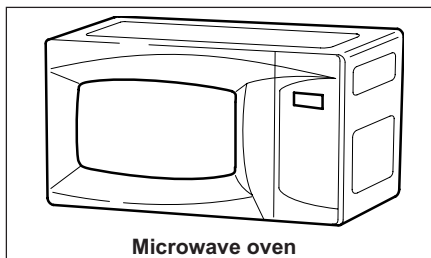
IMPORTANT

To maximise the usage of fitted equipment in your motorhome it is essential that any accompanying manufacturers' literature is read fully. All recommended maintenance and preparation procedures should be followed. The information provided in this manual is only intended as a guide. If in any doubt consult your manufacturer appointed dealer, particularly before attempting to install extra equipment.

In the interests of safety, replacement parts for an appliance shall conform to the appliance manufacturer's specifications and should be fitted by him or his authorised agent.

MICROWAVE OVEN

Model: Daewoo KOR6L1B



Microwave oven

Features:

- Oven volume in Litres: 20.
- Ten power steps.
- Maximum Wattage: 700.
- Turntable.
- Electronic time control.
- Touch control.

Separate operating instructions are supplied with this equipment.

COOKER

Your vehicle is fitted with a Thetford cooker, either a Caprice Mk III or a Spinflo hob and combined Duplex oven and grill.

Operation

Ensure the gas is turned on.

In the event of a gas smell turn off at the cylinder and contact your nearest Auto-Sleeper dealer. The burners on these appliances have fixed aeration and no adjustment is required. Depending on the gas being used, the burners should flame as follows:

Propane: The flames should burn quietly with a blue/green colour with no sign of yellow tips.

Butane: Normally, on initial lighting, a small amount of yellow tipping will occur and then slightly increase as the burner heats up.

Using the Hob gas burners

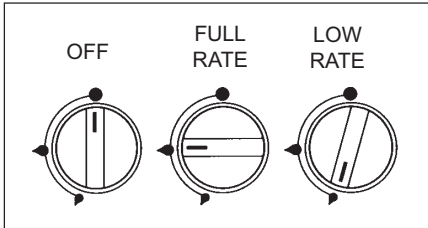
Cautions:

- Glass lids may shatter when heated. Turn off all burners before shutting the lid.
- Spillage on the surface of the lid should be removed before opening the lid.
- The glass lid has a tendency to snap shut towards the end of lowering. This is caused by the travel lock action of the hinges as it is activated. Take care to avoid trapping fingers when closing the lid.
- Although each burner will support pans from 10 to 22 cm, care should be taken not to overload the appliance as reduced performance will result.
- When using small pans, the flames should not spread beyond the base of the pan as this will reduce the efficiency of the burner.
- Avoid old or mis-shapen pans as these may cause instability.

Each burner is controlled individually and is monitored by a flame supervision device in the event of the burner flame going out, turn off the burner control and do not attempt to re-ignite for at least one minute.



To light the burner, push in the control knob and turn anti-clockwise to full rate position and press the ignition button. Keep the knob depressed for approximately 15 seconds to allow the flame supervision probe to reach temperature. Should the flame go out when the knob is released, wait for a minute and repeat the procedure holding the knob depressed for slightly longer.



For simmering turn the knob further anti-clockwise to the low rate position.

To turn off, rotate the knob fully clockwise until the line on the knob is aligned with the mark on the control panel.

Using the Electric Hotplate (Caprice only)

Ensure the electricity is switched on.

Caution: Glass lids may shatter when heated. Turn off the hotplate and allow it to cool before closing the glass lid.

Caution: Remove all spillage from the surface of the glass lid before opening.

The hotplate control is numbered from 1 to 6. To turn it on, rotate the knob either clockwise or anti-clockwise to the required position. Position 1 is the coolest setting. To turn the hotplate off, rotate the knob until the line or pointer on the knob lines up with the zero on the control panel.

The hotplate is a sealed construction and transfers heat through conduction. For maximum efficiency a correctly sized pan with a flat heavy gauge base should be used. Pan size should be the same or slightly larger (up to 1in/2.5cm oversize).

Before using your hotplate for the first time, we recommend that you prime it and then season it. To prime it, switch on the hotplate for a short period, without a pan, to harden

and burn off the coating. Use a medium to high setting for 3-5 minutes. A non toxic smoke may occur during this process. Allow it to cool, then season.

To season, first heat the hotplate for 30 seconds on a medium setting, then switch off. Pour a minimal amount of unsalted vegetable oil onto a clean dry cloth or paper towel, and apply a thin coat of oil to the hotplate surface. Wipe off any excess oil, then heat the hotplate on a medium setting for one minute. Occasional seasoning will help to maintain its appearance.

CAPRICE GRILL & OVEN

GRILL

Caution: Accessible parts may be hot when the grill is used. Young children should be kept away.

1. Ensure gas cylinder/supply is connected and turned on. In the event of a gas smell turn off at gas cylinder/mains and contact supplier.
2. Remove all accessories and packing that may be in the grill including any plastic coating that may be protecting the grill cavity surfaces. Clean the interior before using it for the first time, use soap and water and rinse carefully.
3. To light: Open door, push in the control knob and turn to full rate. Hold a lighted match or taper to the burner and push the control knob in and hold. The burner should ignite and the control knob should be held in for 10-15 seconds before release. If the burner goes out, repeat procedure holding control knob for slightly longer.
4. For models fitted with spark ignition the procedure is similar except that the burner can be ignited by depressing the ignition button which is located on the fascia. Ignition must be carried out with the door open, and if the burner has not lit within 15 seconds the control knob should be released and the grill left for at least one minute before a further attempt to ignite the burner.
5. Please note the grill must only be used



with the door open.

6. On first use of the grill, it should be heated for about 20 minutes to eliminate any residual factory lubricants that might impart unpleasant smells to the food being cooked. A non-toxic smoke may occur when using for the first time so open any windows and turn on mechanical ventilators to help remove the smoke.
 7. Although the grill does heat up quickly, it is recommended that a few minutes preheat be allowed.
 8. Flame Failure Device (FFD): the grill burner is fitted with a flame sensing probe which will automatically cut off the gas supply in the event of the flame going out. In the event of the burner flames being accidentally extinguished, turn off the burner control and do not attempt to re-ignite the burner for at least one minute.
 9. It is normal for the flames on this burner to develop yellow tips as it heats up, particularly on Butane.
 10. Variation in cooking can be achieved by using the control knob to regulate the heat setting. In addition, the grill pan trivet can be reversed or removed to give a greater choice of grilling height. Always use the highest trivet position for fast toasting.
 11. To turn off: turn the control knob until the line on the control knob is aligned with the dot on the control panel. Always make sure the control knob is in the off position when you have finished grilling.
3. To light: open door, push in the control knob and turn to gas mark 9. Hold a lighted match or taper to the burner and push the control knob in and hold. The burner should ignite and the control knob should be held in for 10-15 seconds before release. If the burner goes out, repeat procedure holding control knob for slightly longer.
 4. For models fitted with spark ignition the procedure is similar except that the burner can be ignited by depressing the ignition button which is located on the fascia. Ignition must be carried out with the door open, and if the burner has not lit within 15 seconds the control knob should be released and the oven left for at least one minute before a further attempt to ignite the burner.
 5. Place the oven shelf in the required position and close the door. Set control knob to approximately gas mark 5 and heat the oven for about 30 minutes to eliminate any residual factory lubricants that might impart unpleasant smells to the meals being cooked. A non-toxic smoke may occur when using for the first time so open any windows and turn on mechanical ventilators to help remove the smoke.
 6. Although the oven does heat up quickly, it is recommended that a 10 minutes preheat be allowed. The oven should be up to full temperature in about 15-20 mins.
 7. To turn off: turn the control knob until the line on the control knob is aligned with the dot on the control panel.

OVEN

1. Ensure gas cylinders/supply is connected and turned on. In the event of a gas smell turn off at gas cylinder/mains and contact supplier.
2. Remove all accessories and packing that may be in the oven including any plastic coating that may be protecting the oven cavity surfaces. Clean the interior before using it for the first time, use soap and water and rinse carefully.
8. Flame Failure Device (FFD): the oven burner is fitted with a flame sensing probe which will automatically cut off the gas supply in the event of the flame going out.
9. Shelf: the shelf has been designed to allow good circulation at the rear of the oven and are also fitted with a raised bar to prevent trays or dishes making contact with the back of the oven. To remove a shelf, pull forward until it stops, raise at front and remove.



DUPLEX GRILL & OVEN

The Thetford Duplex combined oven and grill fitted to this vehicle has a space saving slide under door.

OPERATION OF THE DOOR

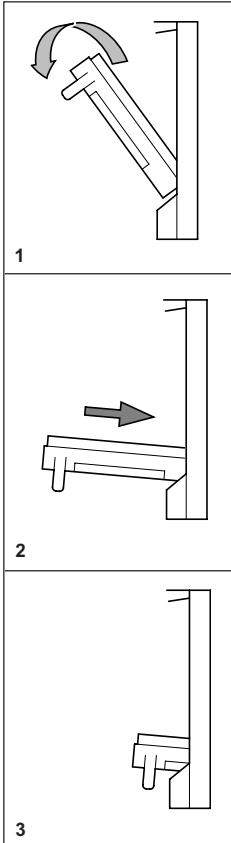
This appliance is fitted with our unique slide under door. As you open the door fully, it slides neatly under the oven. This feature maximises the space in the kitchen area by reducing the protruding door, giving easy access to the inside of the oven.

WARNING

- **Pans or other utensils MUST NOT be placed on the door when in its open position.**

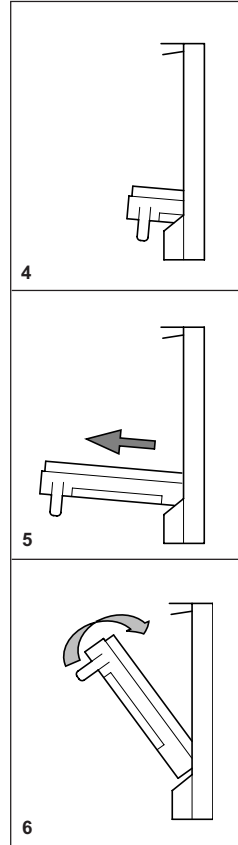
To open the door:

1. Pull the handle forward and down, as with any other drop down door.
2. When in fully open position push the door horizontally to slide the door in.
3. Continue pushing until door stops in the parked position below the oven.



To close the door:

4. Grasp handle and slide door out from parked position.
5. Continue until door fully extended.
6. Rotate door upwards into the closed position.



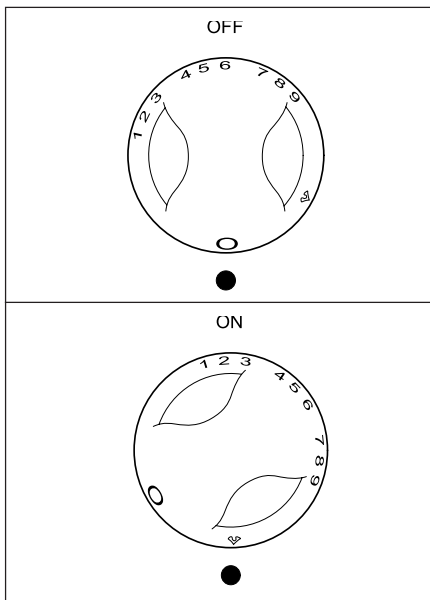
USING THE GRILL

WARNINGS

- **The grill area can get hot when the oven is in use, even if the grill is switched off.**
- **Care should be taken when removing pans from the grill, i.e. use of oven gloves, and by making use of the removal grill pan handle.**

Important

- The grill pan supplied is multi functional, for use in grill or oven.
- The handle design allows removal or insertion whilst the pan is in use.
- Always remove the handle when the pan is in use.
- The grill **MUST** only be used with the door open.



1. Ensure gas cylinder/supply is connected and turned on. In the event of a gas smell turn off at gas cylinder/mains and contact supplier.

2. *To light:* Open door and slide under, push in the control knob and turn clockwise to full rate. Hold a lighted match or taper to the burner and push the control knob in and hold. The burner should ignite and the control knob should be held in for 10-15 seconds before release. If the burner goes out, repeat procedure, holding control knob for slightly longer.
3. For models fitted with spark ignition the procedure is similar except that the burner can be ignited by depressing the ignition button, which is located on the fascia. Ignition must be carried out with the door open, and if the burner has not lit within 15 seconds the control knob should be released and the grill left for at least 1 minute before a further attempt to ignite the burner.
4. On first use of the grill, it should be heated for about 20 minutes to eliminate any residual factory lubricants that might impart unpleasant smells to the food being cooked. A non-toxic smoke may occur when using for the first time so open any windows and turn on mechanical ventilators to help remove the smoke.
5. Although the grill does heat up quickly, it is recommended that a few minutes preheat be allowed.
6. Flame Failure Device (FFD): the grill burner is fitted with a flame sensing probe, which will automatically cut off the gas supply in the event of the flame going out. In the event of the burner flames being accidentally extinguished, turn off the burner control and do not attempt to re-ignite the burner for at least one minute.
7. It is normal for the flames on this burner to develop yellow tips as it heats up, particularly on butane.
8. A reversible grill pan trivet enables the correct grilling height to be achieved. Grilling should be carried out on the middle shelf position.



- Fast Toasting trivet in high position
- Grilling Sausages trivet in high position
- Grilling Steak/Bacon trivet in high position
- Grilling Chops, etc trivet in low position
- Slow Grilling trivet removed

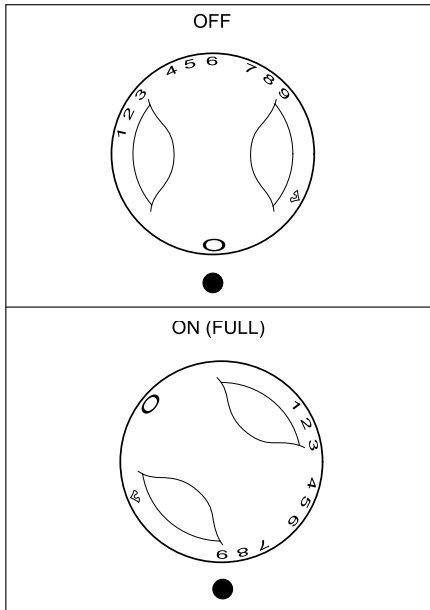
9. **To turn off:** turn the control knob until the circle on the control knob is aligned with the dot on the control panel, this should be done by turning anti-clockwise. Always make sure the control knob is in the off position when you have finished grilling.

Caution: The grill must only be used with the door open.

USING THE OVEN

Important

- The appliance is fitted with a fan cooling system. The cooling fan will automatically switch on after lighting the grill or oven burner.
- The fan will automatically switch off a few minutes after the burner is extinguished, when the front of the appliance has cooled sufficiently.



1. Ensure gas cylinder/supply is connected and turned on. In the event of a gas smell turn off at gas cylinder/mains and contact supplier.
2. **To light:** Open door, push in the control knob and turn anti-clockwise to full rate (gas mark 9). Hold a lighted match or taper to the burner and push the control knob in and hold. The burner should ignite and the control knob should be held in for 10-15 seconds before release. If the burner goes out, repeat procedure holding control knob for slightly longer.
3. For models fitted with spark ignition the procedure is similar except that the burner can be ignited by depressing the ignition button, which is located on the fascia. Ignition must be carried out with the door open, and if the burner has not lit within 15 seconds the control knob should be released and the oven left for at least 1 minute before a further attempt to ignite the burner.
4. Place the oven shelf in the required position and close the door. Set control knob to approximately gas mark 5 and heat the oven door for about 30 minutes to eliminate any residual factory lubricants that might impart unpleasant smells to the meals being cooked. A non-toxic smoke may occur when using for the first time so open any windows and turn on mechanical ventilators to help remove the smoke.
5. Although the oven door does heat up quickly, it is recommended that a 10 minute preheat be allowed. The oven should be up to full temperature in about 15-20 minutes.
6. **To turn off:** Turn the control knob clockwise until the circle on the control knob is aligned with the dot on the control panel.
7. To remove a shelf, pull forward until it stops, raise at front and remove.



Note: The following points are common to both cookers.

Oven temperature control

The temperature in the oven is controlled by a thermostatic gas tap and is variable over the range 130 deg C to 240 deg C.

Approximate temperatures for the settings on the control knob are shown in the following table. The temperatures indicated refer to the centre of the oven and at any particular setting the oven will be hotter at the top and cooler towards the base. The variation between the top and centre, and centre to bottom is approximately equivalent to one gas mark. Good use can be made of the temperature variation in that several dishes requiring different temperatures may be cooked at the same time. In this way maximum benefit can be obtained from the gas used to heat the oven. Care should be taken not to overload the oven, adequate spacing being used to allow free circulation for heat.

Cooking guidelines

IMPORTANT - The pan supplied with the oven is multifunctional, for use in grill and oven. The handle design allows for removal or insertion whilst the pan is in use. Always remove the handle when in use.

Larger items may adversely affect the circulation and heat distribution. Best results will be obtained by the shelf positions in this guide. It is not necessary to preheat the oven but advisable for a range of dishes. The oven is capable of full temperature in 15-20 minutes.

Most cookery books give details of the shelf positions and gas mark settings for each recipe. If in doubt about a recipe you intend to use, study the recipe carefully then find a similar dish in our guide and use our shelf position and gas mark setting recommendation. Shelf positions are from the top down. When roasting with aluminium foil care must be taken that the foil does not impair circulation or block the oven flue outlet.

Important: Always ensure food is properly cooked prior to serving.

Do's and Don'ts

- Do** read the user instructions carefully before using the appliance for the first time.
- Do** allow the oven to heat before using for the first time, in order to expel any smells before the introduction of food.
- Do** clean the appliance regularly.
- Do** remove spills as soon as they occur.
- Do** always use oven gloves when removing food shelves and trays from the oven.
- Do** check that controls are in the off position when finished.
- Do not** allow children near the cooker when in use. All outer surfaces will get hot when in use.
- Do not** allow fats or oils to build up in the oven trays or base.
- Do not** use abrasive cleaners or powders that will scratch the surfaces of the appliance.
- Do not** under any circumstances use the oven as a space heater.
- Do not** put heavy objects onto open grill and oven doors.

Leaks

If a smell of gas becomes apparent, the supply should be turned off at the cylinder **IMMEDIATELY**. Extinguish naked lights including cigarettes and pipes. Do not operate electrical switches. Open all doors and windows to disperse any gas escape. Butane/Propane gas is heavier than air, any escaping gas will therefore collect at low level. The strong unpleasant smell of gas will enable the general area of the leak to be detected. Check that the gas is not escaping from an unlit appliance. Never check for leaks with a naked flame, leak investigation should be carried out using a leak detector spray.



Gas Mark	Temperature			
1/4 - 1/2	265-275°F	130-135°C	Very cool	Meringues
1	285	140	Cool	Stewed fruit
2	300	150	Cool	Rich fruit cake
3	330	165	Warm	Baked custard
4	355	180	Moderate	Victoria sandwich
5	385	195	Fairly hot	Whisked sponges
6	410	210	Hot	Shortcrust pastry
7	430	220	Hot	Bread, scones
8	445	230	Very hot	Puff pastry
9	465	240	Very hot	Quick browning
Dish				
	Gas Mark	Shelf Position	Cooking Time	
Scones	7	2	8-15 mins	
Small cakes	5	2	15-25 mins	
Victoria sandwich	4	2	20-30 mins	
Very rich fruit cake	2	2	Approx. 60 mins per 500g	
Puff pastry	8	2	15-30 mins	
Flaky pastry	7	2	15-30 mins	
Shortcrust pastry	6	2	15-55 mins	
Shortbread fingers	3	2	25-30 mins	
Ginger nuts	5	2	12-16 mins	
Rice pudding	2	3	100-120 mins	
Baked custard	3	3	50-60 mins	
Fruit crumble	5	3	30-40 mins	
Beef	3	3	25 mins per 500g plus 25 mins	
	7	3	15 mins per 500g plus 20 mins	
Pork	3	3	30 mins per 500g plus 35 mins	
	7	3	25 mins per 500g plus 25 mins	



WINDOW BLINDS

Seitz concertina blinds and flyscreens are fitted to the windows in your motorhome.

The flyscreens pull down from the top, the concertina blinds up from the base and a combination of both may be achieved by clipping both units together in the centre to adopt the required position. It should be remembered that both the flyscreens and concertina blinds are relatively delicate and those in the living area should be treated with care. They should be kept in a dry and dust-free state, it is advised that the mechanisms are only lightly lubricated when they become a little stiff and inoperative - otherwise no maintenance is needed.

The concertina blinds are manufactured from a paper type material and thus cleaning solvents and aerosols should be kept well clear from them.

Unlike Seitz roller blinds, they will not need to be re-tensioned - any problems that should arise should be addressed to your Auto-Sleeper dealer or the Motorhome Service Centre at Willersey.

TELEVISION & AERIAL

Your vehicle is fitted with an Avtex TV as standard. This is connected to the standard Teleco mast aerial via a signal booster located in the wardrobe.

Another TV connection point is located on the lounge side of the cocktail cabinet, also ready wired to the booster.

In addition, the vehicle is pre-wired to enable a satellite receiver to be fitted at a later date. To facilitate this there are DVD AV sockets adjacent to the TV points connected to similar ones in one of the overhead lockers above the TV, ready for a de-coder to be connected.

There is also an external cable input socket, on the offside of the vehicle, with two input sockets. One is for connection of a satellite dish and is wired to the de-coder connection point in the overhead locker.

The other is for connection of a digital TV external aerial and is wired directly to the TV points.

Note that the 'SAT' connection on the TV points must be used to connect the TV when this input is used.

Note: If your vehicle is fitted with an Avtex TV/DVD then please note the following points:

- For detailed operating instructions and specification please refer to the literature supplied with the vehicle.
- Avtex operate a helpline for users experiencing problems with any of their products. Whether it is difficulty with tuning, setting up the equipment or a physical malfunction then contact their Service Department on 02920 020279 (normal business hours).
They will be able to talk to you through many issues, but if there is still a problem they will arrange for a courier to collect your set from any UK postcode (including campsites) for return to their factory overnight. The repaired equipment will normally be despatched the following day for return to the customer.
This service is free during the warranty period. After the warranty has expired the service is still available but there will be a charge.
- **Warning:** If for any reason the TV is removed from the support bracket provided, ensure that when it is re-fitted that only the original screws (or ones of the same length) are used. If longer screws are used they may damage the internal components of the equipment.



WARM AIR & HOT WATER HEATING

A Truma liquid gas Combi 4E warm-air heater, with integrated hot water boiler, is fitted and operates on LPG and/or 230V electricity depending on the chosen mode of operation.

In winter operation the heater can be used to heat the room and simultaneously warm water. If only warm water is required, select summer operation.

At a temperature of approximately 3 deg C the automatic frost control safety/drain valve will open and drain the boiler.

Three different options are available for operating the unit.

Gas operation only: Propane/butane for autonomous use.

Electrical operation only: 230V for stationary use on camp sites.

Mixed operation: Gas and electrical operation - only possible in winter mode.

Winter operation

In winter operation, the unit automatically selects the required power setting according to the temperature difference between the temperature set on the control panel and the current room temperature. When the boiler is filled, the water is automatically heated as well. The water temperature depends on the selected operation mode and the heater output.

All three energy selection options can be used for winter deployment.

With gas operation the unit automatically selects the output level that is required.

Depending on the fuse protection at the camping site, power of 900W (3.9A) or 1800W (7.8A) can be manually selected for electrical operation.

If more output is required (e.g. heating up or low outside temperatures) gas or mixed operation should be selected so that enough heating power is always available.

With mixed operation, 230V electrical operation is preferred if the power

requirement is low (e.g. for maintaining the room temperature). The gas burner is not enabled until the power requirement is higher, and is the first to switch off during heat-up operations.

Summer operation (boiler operation only)

Gas operation or 230V electrical operation is used for hot water preparation. The water temperature can be set to 40 deg°C or 60°C.

With gas operation the water is heated at the lowest burner setting. Once the water temperature is reached, the burner switches off.

Depending on the fuse protection at the camping site, power of 900W (3.9A) or 1800w (7.8A) can be manually selected for electrical operation.

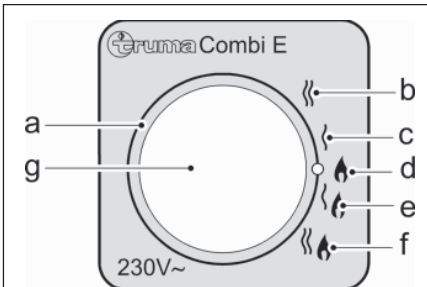
Note: Mixed operation is not possible. With this setting the unit automatically selects electrical operation. The gas burner is not enabled.

OPERATING INSTRUCTIONS

Caution: Always observe the operating instructions and “Important operating notes” prior to starting. The vehicle owner is responsible for the correct operation of the appliance.

Note: Before using for the first time, it is essential to flush the entire water supply through with clean warm water. If the heater is not being used, always drain the water contents if there is a risk of frost. *There can be no claims under guarantee for damage caused by frost!*

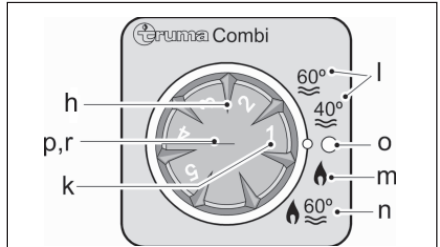
Power selector switch



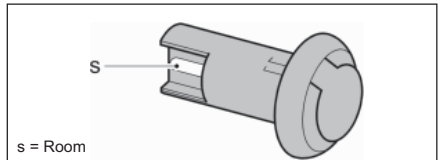
- a = Power selection rotary switch
- b = Electric operation 230V, 1800W.
- c = Electric operation 230V, 900W.
- d = Gas operation.
- e = Mixed operation* (gas and electricity, 900W).
- f = Mixed operation* (gas and electricity, 1800W).
- g = Yellow LED on = Electrical operation

** Winter mode only. In summer mode the unit automatically selects electric operation at the pre-selected electrical power of 900W or 1800W.*

Note: Switching on the electric heating elements as well does not increase the maximum heating power.



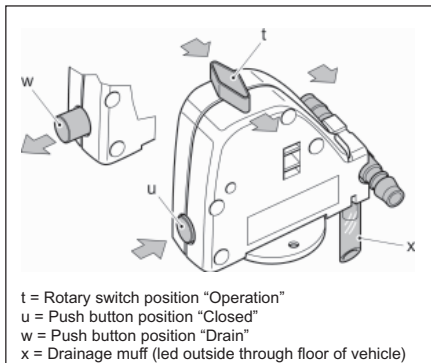
- h = Rotary switch for room temperature (1-5)
- k = green LED lit “Operation”
green LED blinking
“after-running” is active in order to reduce the unit’s temperature
- l = Summer operation (water temperature 40°C or 60°C)
- m = Winter operation (heating without water temperature monitoring or with drained water system)
- n = Winter operation (heating with water temperature monitoring)
- o = Rotary “Off” switch
- p = Yellow LED lit “Boiler heat-up phase”
- r = Red LED lit, red LED blinking “Failure”



s = Room

The thermostat setting on the control panel (1-5) must be determined individually depending on the heating requirement and the type of vehicle. For an average room temperature of about 23°C, we recommend a thermostat setting of about 4.

FrostControl (safety/drain valve)



FrostControl is a currentless safety/drain valve. When there is a danger of frost, it automatically drains the contents of the boiler through a drainage muff. If excessive pressure is present in the system, pressure will be automatically intermittently equalised through the pressure relief valve.

Closing the drain valve

Check if the rotary switch is set to "Operation" (position t), meaning that it is parallel to the water connection and engaged.

Close the drain valve by activating the push button. The push button must engage in position (u) "closed".

It can be manually closed with the push button (position u) and then the boiler filled only when the temperature at the drain valve is above approximately 7°C.

Truma can provide a heating element (part no. 70070-01) as an accessory; it is inserted into FrostControl and warms it up to about 10°C when Combi is switched on. This means that the boiler can be filled after a shorter time, irrespective of the temperature in the installation compartment.

Automatic opening of the drain valve

When the temperature is below approximately 3°C at the drain valve, the drain valve will open automatically, the push button moves out (position w) and the water in the boiler drains out through the drainage muff (x).

Manual opening of the drain valve

Turn the rotary switch by 180° until it engages, whereby the push button moves out (position w). The water in the boiler drains out through the drainage muff (x).

The FrostControl drainage muff (x) must be free of contamination (slush, ice, leaves, etc.) at all times so the water can drain out easily. *No warranty given for frost damage.*

Taking into operation

Note: Heating is possible without restrictions with gas, electrical and mixed operation, with or without water.

Check to make sure the cowl is unobstructed. Be sure to remove any covers that may be present.

Turn on the gas cylinder and open quick-acting valve in the gas supply line.

Check whether the power supply fuse protection on the camp site is adequate for the 900W (3.9A) or 1800W (7.8A) that have been selected using the power selector switch.

The cable drum must be fully unwound in order to prevent the power cable from overheating.

Summer operation (boiler operation only)

Select gas or electrical operation using the power selector switch. Illumination of the yellow LED (g) on the power selector switch indicates that the unit is operating with 230V.

Note: Mixed operation (gas and electrical) is not possible in summer mode. With this setting the unit automatically selects electrical operation with a pre-selected power setting of 900W or 1800W.

Move the rotary switch on the control panel to position (I - summer operation) 40°C or 60°C. The green (k) and yellow (p) LEDs light up.

When the selected water temperature is reached (40°C or 60°C) the heater shuts off and the yellow LED (p) goes off.



Winter operation

Heating with water temperature monitoring:

Select gas, electrical or mixed operation using the power switch. Illumination of the yellow LED (g) on the power selector switch indicates that the unit is operating with 230V.

Move rotary switch on control panel to operating position (n).

Set the rotary switch (h) to the desired thermostat setting (1-5). the green LED (k) for operation is lit and simultaneously indicates the position of the selected room temperature. The yellow LED (p) indicates the water's heat-up phase.

The device automatically selects the required power setting in accordance with the temperature difference between the temperature selected on the control panel and the current room temperature. When the room temperature selected on the control panel is reached, the heater switches back to the smallest setting and heats the water to 60°C. Once the water temperature is reached, the heater switches off and the yellow LED (p) goes out.

The warm air fan can continue to run in order to cool the unit (after-run).

Heating without water temperature monitoring:

Select gas, electrical or mixed operation using the power switch. Illumination of the yellow LED (g) on the power selector switch indicates that the unit is operating with 230V.

Move rotary switch on control panel to operating position (m).

Turn the rotary switch (h) to the desired thermostat setting (1-5). The green LED (k) for operation is lit and simultaneously indicates the position of the selected room temperature. The yellow LED (p - water's heat-up phase) will be lit only when the water temperature is below 5°C!

The device automatically selects the requires power setting in accordance with the temperature difference between the

temperature selected on the control panel and the current room temperature. Once the room temperature selected on the control panel has been reached, the heater switches off. The warm air fan continues to run at slow speed until the out-going air temperature (on the unit) has fallen to 40°C or less.

If the boiler is filled, the water will automatically be heated at the same time. The water temperature is then dependent on the heating output being given off, and the duration of heating required to reach the desired room temperature.

Heating with drained water system:

Select gas or electrical operation using the power selector switch. Illumination of the yellow LED (g) on the power selector switch indicates that the unit is operating with 230V.

Move rotary switch on control panel to operating position (m).

Turn the rotary switch (h) to the desired thermostat setting (1-5). The green LED (k) for operation is lit and simultaneously indicates the position of the selected room temperature. the yellow LED (p) will be lit only when the temperature of the unit is below 5°C!

Depending on the operating mode, the unit will automatically select the required power level according to the temperature difference between the setting on the control panel and the current room temperature. Once the room temperature selected on the control panel has been reached, the heater switches off. The warm air fan continues to run at slow speed until the outgoing air temperature (on the unit) has fallen to 40°C or less.



Switching off

Switch off heater at control panel using rotary switch (position o). The green LED (k) goes off.

Note: If the green LED (k) blinks after switching off, then the unit's after-running is active in order to reduce the unit's temperature. This will end after a few minutes and the green LED (k) will go off.

CAUTION: Always drain water contents if there is risk of frost!

If the appliance is not to be used for a prolonged period, close the quick-acting valve in the gas supply line and turn off the gas cylinder.

Gas operation fault

If a fault occurs during gas operation the red LED (r) on the control panel illuminates.

Please consult the troubleshooting list for possible causes.

A reset (fault reset) is carried out by switching off, waiting until all LED's on the control panel have stopped flashing, and then switching the heater on again.

Note: If a window to which a window switch has been fitted is opened, the heater stops operating and the red LED (r) flashes. The heater continues operating when the window is closed.

Electrical operation fault

If a fault occurs during electrical operation the yellow indicator lamp (g) on the power selector switch goes off.

Possible causes can be found in the troubleshooting list.

Note: If the 230V power supply is interrupted for just a brief period of approximately one second during operation, the heater will subsequently resume as normal.

Filling the water heater

Check if the rotary switch for the drain valve (FrostControl) is set to "Operation", meaning that it is parallel to the water connection and engaged.

Close the drain valve by pushing the push button until it engages.

Note: When the temperature at FrostControl is below about 7°C, *first* switch on the heater to warm the installation compartment and FrostControl. After several minutes, when the temperature at FrostControl is above 7°C, the drain valve can be closed.

Switch on power for water pump (main or pump switch).

Open hot water taps in kitchen and bathroom (set pre-selecting mixing taps or single-lever fittings to "hot"). Leave the fittings open for as long as it takes for the boiler to displace the air and fill up, and the water to flow without interruption.

Note: If just the cold water system is being operated, without using the water heater, the heater tank also fills up with water. To avoid frost damage, the boiler must be drained through the drain valve, even if it was not operated.

WARNING: When connecting to a central water supply (rural or city mains), a pressure reduction valve must always be installed to prevent pressures above 2.8 bar from developing in the water heater.

Draining the water heater

Switch off power to water pump (main or pump switch).

Open hot water taps in kitchen and bathroom.

In order to check the water that is flowing out, place an appropriate container (capacity 10 litres) beneath the drain valve (FrostControl) drainage muff (x).

Turn the rotary switch on the drain valve by 180° until it engages, whereby the push button moves out and the drain valve opens.

Check whether all of the water in the boiler (10 litres) has been drained into the container via the drain valve.

There shall be no claims under guarantee for damage caused by frost!

Maintenance

Only original Truma parts may be used for maintenance and repair work!

The materials in the device that come into

contact with water are drinking water safe.

Bio-film, deposits and limescale must be removed using chemicals to protect the unit from infestation by micro-organisms. Only Chloride-free products must be used in order to prevent damage to the unit.

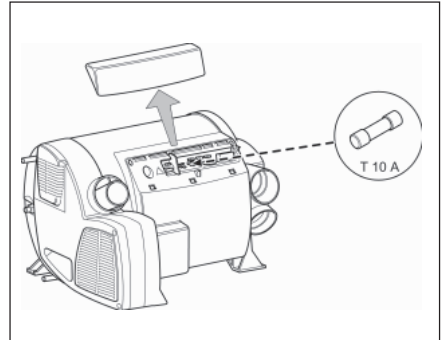
The effectiveness of the use of chemicals to combat micro-organisms in the unit can be increased by heating the water in the boiler to 70°C at regular intervals.

Move power selector switch to gas operation (d) to do this.

Move the rotary switch on the control panel to position (l - summer operation) 60°C. the green (k) and yellow (p) LEDs light up.

Note: Once the water in the boiler has reached a temperature of 60°C, the burner will switch off and the yellow LED (p) will go out. The unit must stay switched on for at least 30 minutes and no warm water may be removed. The residual heat in the heat exchanger will heat the water up to 70°C.

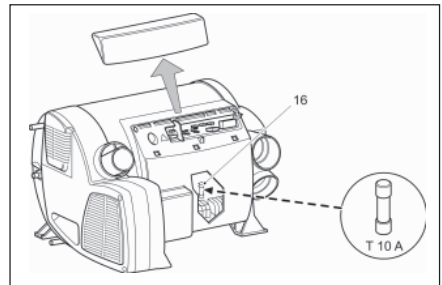
Fuses 12V



The fuse is in the electronics beneath the connection cover. Replace the unit's fuse only with an identical fuse.

Device fuse: 10A - slow - (T 10A).

Fuses 230V



CAUTION: The fuse and the power supply lines must only be replaced by an expert!

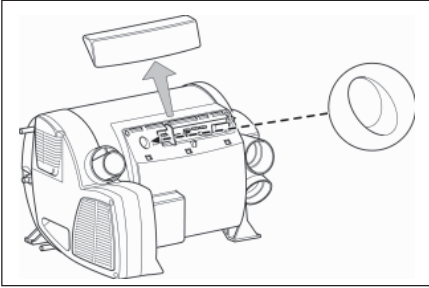
WARNING: The unit must be disconnected from the mains (all poles) before opening the electronic housing lid.

The fuse in the power electronics (16) beneath the electronic housing lid.

This fine fuse must always be replaced with a fuse of the same type: 10A, slow, interrupting capacity "H".



Overheating protection 230V



The 230V heating facility has a mechanical overheating switch. If the 12V power supply is interrupted during operation or during the after-run period, for example, the temperatures within the unit could activate the overheating protection.

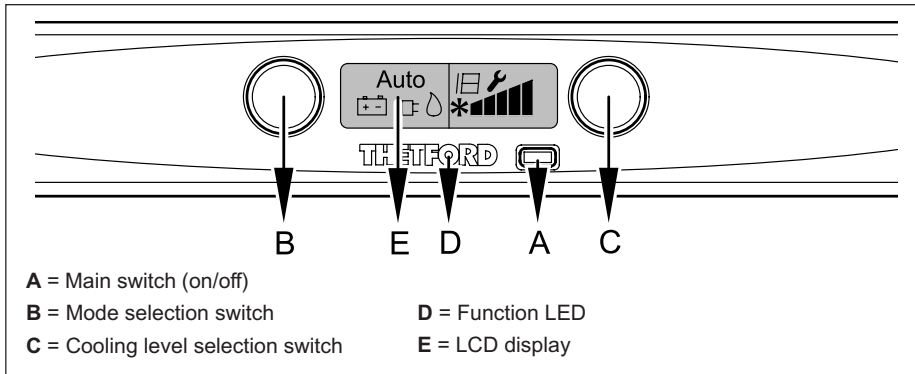
To reset the overheating protection, allow heater to cool, remove connection cover and press red reset button.



TROUBLESHOOTING LIST

Fault	Cause	Rectification
After switching on (winter and summer operation) none of the LEDs are lit.	<ul style="list-style-type: none">- No operating voltage.- Device fuse or vehicle fuse defective.	<ul style="list-style-type: none">- Check battery voltage (12V).- Check all electrical plug connections.- Check the unit or vehicle fuse and replace if necessary (see fuses).
The green LED comes on when the unit is switched on (by means of the ZUCB time switch), but the heater does not operate.	<ul style="list-style-type: none">- The temperature setting on the control panel is lower than the room temperature.	<ul style="list-style-type: none">- Select higher room temperature at the control panel.
The green LED comes on when the unit is switched on (by means of the ZUCB time switch), but the heater does not operate.	<ul style="list-style-type: none">- Open window above cowl. (window switch).- Battery voltage is too low < 10.5V.	<ul style="list-style-type: none">- Close window.- Charge battery.
After the heater is switched on, the green LED is lit and the red LED blinks.	<ul style="list-style-type: none">- Electronics are defective.	<ul style="list-style-type: none">- Please contact the Truma Service Centre.
Approximately 30 seconds after the heater is switched on, the red LED is lit.	<ul style="list-style-type: none">- Gas cylinder or quick-closure valve in the gas line is closed.- Combustion air infeed or exhaust outlet is sealed.	<ul style="list-style-type: none">- Check gas supply and open valves.- Inspect openings for contamination (slush, ice, leaves, etc.) and remove contamination if necessary.
After operating for a longer period of time, the heater switches to failure.	<ul style="list-style-type: none">- Hot-air outlets blocked.- Recirculated air intake- Gas pressure regulator iced up- Butane content in the gas cylinder too high.	<ul style="list-style-type: none">- Check individual outlet apertures.- Remove blockage from recirculated air intake.- Use regulator heating (EisEx).- Use propane (at temperatures below 10°C in particular, butane is unsuitable for heating purposes).
Green and red LEDs blink after heater is switched off.	<ul style="list-style-type: none">- Unit was switched off during failure. After-running is active in order to reduce the unit's temperature.	<ul style="list-style-type: none">- After-running will switch off after a few minutes. Only at that time will a failure reset be possible (switch off and then back on).
Green LED blinks after heater is switched off.	<ul style="list-style-type: none">- After-running is active in order to reduce the unit's temperature.	<ul style="list-style-type: none">- No failure. After-running will switch off after approximately 5 minutes. The heater can be switched back on at any time during the after-running phase in winter operation (in summer operation only after two minutes).
When the device is switched on in electrical operation the red LED on the control panel flashes, the yellow LED on the power selector switch does not illuminate and the heater does not heat up.	<ul style="list-style-type: none">- No 230 V operating voltage.- 230 V fuse defective.- Overheating protection has activated.	<ul style="list-style-type: none">- Check 230 V operating voltage.- Check 230 V fuse and replace if necessary.- Reset overheating protection. Allow heater to cool, remove connection cover and press reset button.

REFRIGERATOR



Introduction

Your vehicle is fitted with a Thetford Premium LCD absorption type refrigerator. The control panel allows you to select your preferred energy source and cooling level.

Cold space

Cooling fins are located on the inside of the refrigerator and the absorption system uses these to withdraw heat from the refrigerator. Therefore, never cover these fins with plastic or paper. Air must be able to circulate freely through the refrigerator so that the heat can be extracted.

To limit frosting on the cooling fins:

- Always cover liquid foods before placing them in the refrigerator
- Always let hot food cool before placing it in the refrigerator
- Do not keep refrigerator door open longer than necessary

Freezer compartment

The freezer compartment is not suitable for freezing foods although it will maintain the temperature of already frozen food.

Ice cubes are best made at night when the refrigerator has less work to do and has more reserves.

Automatic defrosting cycle

All LCD refrigerators have an automatic defrosting cycle which is activated at the end of each 49 hours of operation. The system

switches itself off and on again when defrosted, and resets the internal timer.

There is normally no need to manually defrost the refrigerator.

Door locking mechanism

The refrigerator door has an automatic locking mechanism. The door locks automatically when you press it firmly shut. The mechanism keeps the door shut while driving.

OPERATION

Before first use it is recommended that the inside of the refrigerator is cleaned, and that it is allowed to operate for at least eight hours before putting any food into it.

Smart Energy Selection

Your refrigerator is equipped with Smart Energy Selection (SES) which means that it will automatically select the best power source available. When you start the refrigerator you should usually select the AUTO mode, and the refrigerator will then apply the following priority: mains voltage (230V), direct current (12V), liquid gas. The system will always try to operate using the highest priority energy source available. If a fault occurs with one energy source the system will automatically switch to the next available. If no energy sources are available, the blue LED will flash and show an error code.

Switching on

Important note – The SES memory saves



every change made to the settings, hence the system will start up on each subsequent occasion in the last selected setting.

Switching on

Refer to page 9-18 for illustration of the control panel.

A = Main switch (on/off). Press, and the function LED will turn blue. The LCD display will show the most recent settings for 10 seconds and then backlight will go out.

B = Mode selection switch. Press, and the LCD display will show the setting, for 10 seconds. Pressing the switch successive times moves through the menu in the following sequence:

- AUTO
- Manual DC (12V)
- Manual gas
- Manual mains voltage (230V)
- AUTO

Select either the AUTO option or one of the other power supplies you wish to use, as shown on the LCD display. Ten seconds after releasing the switch the backlight will go out.

C = Cooling level selection switch. Press, and the LCD display will show the setting, for 10 seconds. Pressing the switch successive times will set the refrigerator one position cooler. On reaching the coldest temperature the system will start again at the warmest setting. Ten seconds after releasing the switch the backlight will go out.

D = Function LED

E = LCD display

- Open the valve of the gas bottle
- Open the isolator taps
- Press the main switch (A). The function LED will turn blue and all symbols on the LCD display will light up.
- Use the mode selection switch (B) to select the AUTO function (or one of the power sources you want). The LCD display will show the selected option.

- Set the desired cooling level by means of the selection switch (C). The LCD display will show the selected option.

Powering with electricity

Powering with electricity can be selected by the AUTO mode or manually.

- AUTO mode, mains voltage (230V): This energy source will be selected if the mains voltage is greater than 200V.
- AUTO mode, direct current (12V): This energy source will be selected only if mains voltage (230V) is unavailable, the vehicle engine is running and a voltage higher than 11V is available.
- Manual selection, mains voltage (230V): The LED warns you whenever insufficient voltage is available or if a fault occurs. If this happens the LED will flash and the LCD show an error code.
- Manual selection, direct current (12V): Powering from the battery is only suitable for maintaining the temperature of the refrigerator and its contents once it has been refrigerated. Always use the gas connection or mains voltage to start up the refrigerator and cool it. The LED warns you whenever the engine is not running, if insufficient voltage is available or if a fault occurs. If this happens the LED will flash and the LCD show an error code.

Note: If the refrigerator has been manually set to operate on 12V, it will not automatically switch to another energy source when the engine is not running. In this case the refrigerator will stop cooling.

Powering with gas

Powering with gas can be selected by the AUTO mode or manually.

- AUTO mode: The system will select gas operation if mains voltage (230V) is unavailable or the vehicle engine is not running. Once either of these is available again the system will switch to the highest priority energy source. **Note:** if the system switches from 12V DC to gas operation while in AUTO mode, it will wait for about 15 minutes before igniting the gas, although the gas indicator lamp will



come on. This delay is built in to avoid switching to gas operation, and igniting the burner, whenever you stop to refuel the vehicle. If the system selects gas operation, the ignition will be activated automatically. The gas will flow to the burner and be lit by the electric ignition. If the flame goes out, the gas will immediately be lit again.

- Manual selection: *Note: If the flame cannot be lit within 30 seconds, the gas supply will stop and gas mode will be switched off, the LED start flashing and an error code shown on the LCD display.* The gas mode can be reset only if the refrigerator is switched off. If you switch the refrigerator on again and the gas mode is still not working, the LED of the manual gas mode will flash to indicate that gas is unavailable and an error code is shown in the LCD display.

Important Note:

- It is prohibited to use gas to power the refrigerator while you are driving. If a road accident results in a fire, there is danger of an explosion.
- It is prohibited to use gas to power the refrigerator in the vicinity of petrol stations. If it will take longer than 15minutes to refuel your vehicle you should switch the refrigerator off using the main switch (A).

Switching off

- Push the main switch (A)
- The blue LED will go out
- The refrigerator is now completely switched off.
- Use the special door latch on the door locking mechanism to hold the door open, in order to prevent unpleasant odours and mould in the refrigerator.

Maintenance

Regular maintenance is necessary to ensure the correct functioning of your refrigerator.

Cleaning

- Clean the refrigerator with a soft cloth and mild detergent
- Dust the refrigerator with a soft moistened cloth
- Do not use soap or aggressive detergents that are abrasive or soda-based.
- Note the removable interior components of the refrigerator are not dishwasher proof.

Defrosting

- The refrigerator should defrost itself automatically. However, should it be necessary to manually defrost the refrigerator observe the following:
- Act once the frost layer reaches about 3mm thick.
- Remove contents of refrigerator and switch off.
- Leave the door open.
- Place dry towels inside to absorb the water.
- Place trays of hot water in the freezer compartment.
- After defrosting use a cloth to dry the inside
- Switch on again

Important: Do not use force or sharp objects to remove frost. Do not try to accelerate defrosting by using (for example) a hairdryer.

Door locking mechanism

Frost will form in the refrigerator if the door is not closed properly. To check this, close the door with a piece of paper between the door and the refrigerator. Pull at the piece of paper. If you feel resistance, the door closes properly. If you feel no resistance, the door does not close properly. Perform this test regularly on all sides of the door. If you find that the door does not close properly, check whether the door locking mechanism keeps the door properly shut.

Winter operation

If you use the refrigerator when the outdoor temperature is below 8°C, install the Thetford vent winter/storage cover (see fig A) on the ventilation grills. The cover, which is available from your dealer, protects your refrigerator from excessively cold air. It is also advisable to fit the cover if you are not going to use the vehicle for a long period.

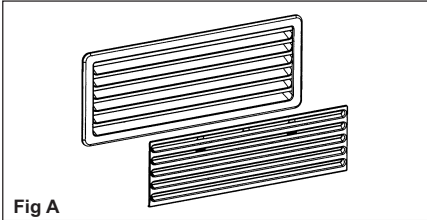


Fig A

Maintenance of gas equipment

- A qualified engineer must inspect and maintain gas and electrical equipment.
- *Important:* Laws covering gas appliances make it the user's responsibility to observe the following rules:
- Appliances that run on LPG must be inspected every year.
- The gas burner must be cleaned at least once a year.
- Gas hoses must be checked annually and replaced regularly as required.
- These items will be checked as part of your motorhome annual habitation check. Refer to section 12 of the handbook.

Maintenance checklist

- Your refrigerator will give years of trouble-free use if you run through this check list regularly:
- Keep the refrigerator clean
- Check that the refrigerator is defrosting itself regularly
- Check the door closing mechanism regularly, as previously described.
- Make sure that the ventilation grills are not blocked.
- Regularly clean the ventilation grills.

Vent screen

The vent has a screen to prevent bugs from entering the combustion area of the refrigerator. These vents need to be cleaned regularly to ensure a good airflow. When the refrigerator performs poorly due to high external temperatures the vents can be removed to improve the airflow and hence cooling performance.

Storage

If you do not expect to use your refrigerator for a lengthy period, carry out the following actions:

- Remove all food
- Switch off the refrigerator
- Clean the refrigerator as described earlier
- Shut off the gas tap to the refrigerator
- Leave the door ajar using the special closure hook (storage position)
- Place the winter cover on the ventilation grill



Troubleshooting

If your refrigerator does not refrigerate properly or will not start, run through the following checklist:

- Check that you have followed the instructions in 'Switching on' section.
- Check that the refrigerator is on a level surface.
- Check that there is an available energy source.

Problem	Possible cause	Action you can take
Refrigerator will not work on gas	Gas bottle is empty	Replace the gas bottle
	Valve of the gas bottle or one of the isolation valves is closed	Open the valves
Refrigerator will not work on 12V DC	12V fuse is defective	Fit new fuse number 3
	Habitation battery is flat	Test the battery and charge it
Refrigerator will not refrigerate sufficiently	Insufficient ventilation	Check whether the ventilation grills are covered
	Thermostat set too low	Increase the setting of the thermostat
	Too much ice on the condenser	Check that the door shuts properly and defrost the fridge
	Too much food stored simultaneously	Let the food cool off first
	Gas burner is dirty	Have the gas burner cleaned
	Door does not close properly	Check the door closing mechanism

Technical data

Model. N97

Gross volume, incl freezer... 96 litres

Freezer compartment capacity..... 11 litres

Electricity consumption / 24 hr..... 2.8kW (average at 25°C ambient)

Gas consumption / 24 hr.....0.33 kg (average at 25°C ambient)



Control panel diagnostics

Your refrigerator has a LCD control panel with a special diagnostics area which displays an error code if there is a fault.

Fault code	Cause	Action
1	AC heater low current	Contact your dealer or Thetford Service Centre
2	DC heater low current	
3	AC heater ON, should be OFF	
4	DC heater ON, should be OFF	
5	Senses flame when gas should be OFF	
6	Senses gas output terminal ON when should be OFF	
7	Senses gas output terminal OFF when should be ON	
8	AC mains supply is 20% below nominal	Your controls are in manual AC mode but there is no power available. Check 230V is plugged in, if so, the voltage supply is too low. Contact site owner.
9	Gas lock-out because flame fails to ignite after 30 seconds.	Your controls are in manual gas mode but flame fails to ignite. Check if gas cylinder is empty, or if isolation valve is closed. Select another energy source. Reset the refrigerator 3 or 4 times in gas mode until flame ignites. Contact your dealer or Thetford Service Centre if problem persists.
10	No 'engine running' signal is present and control is in manual DC mode	Your controls are in manual DC mode and the engine is not running. The refrigerator can only cool on 12V when the engine is running. Start the engine or select a different energy source.
11	No energy source is available and control is in AUTO mode	Your controls are in AUTO mode, but no energy source is available. Start the engine, connect the 230V supply or open the gas supply and reset the refrigerator by turning off and on again.
12		Contact your dealer or Thetford Service Centre
13	Thermistor fails; control automatically switches to Backup mode (BOS)	Check if the connector above the fin on the inside of the cabinet is correctly plugged in. If so, contact your dealer or Thetford Service Centre
14	Display board and power board lost communication with each other	Contact your dealer or Thetford Service Centre
18	No fault, only lighting all LCD segments on start-up	Wait a few seconds for the refrigerator to start up normally



THETFORD CASSETTE TOILET

Your vehicle is fitted with a Thetford cassette toilet. The Broadway EB has a C402 model while all other Broadways have the C200 CWE version. Please refer to the appropriate instructions which follow.

C200 CWE TOILET

Introduction

The Thetford Cassette C-200 CWE is functional and incorporates modern styling with home like features. The unit is an integral part of the motorhome bathroom.

The Thetford Cassette C-200 CWE is constructed of high quality plastics for durability and has a high gloss finish that is easy to clean and maintain. The unit consists of two sections, a permanently installed toilet system and a slide out waste holding tank - the Cassette.

The toilet section includes a rotatable bowl, a removable seat, and a control unit with a flush button and a waste level warning device. The valve blade handle is located under the bowl.

The cassette is located underneath the toilet and is removed for emptying from the outside of the vehicle through an access door. A rotating pour-out spout, automatic holding tank vent, air release valve, valve blade, carrying handles and hand grips are incorporated into the cassette. A sliding cover guarantees optimum hygiene.

Features:

- Removable seat and cover.
- Rotatable bowl.
- Valve blade handle: opens and closes valve blade manually.
- Flush button: activates flush.
- Waste level indicator: indicates when cassette requires emptying.
- Rotating pour-out spout: makes emptying cassette easy and convenient.
- Automatic cassette vent: vents the cassette when inserted in the toilet. This prevents over pressure in the cassette.
- Upper-carrying handles: makes carrying and emptying easy.

- Sliding cover: opens and closes automatically when sliding the cassette in and out. Guarantees optimal hygiene.
- Valve blade and blade seal.
- Vent button: vents the cassette to avoid splashing while emptying.
- Handgrip.
- Valve blade opener.
- Access door. Locks from outside the motorhome.

Preparing for use

Following is a brief illustrated step by step guide. For more detailed information please refer to manufacturers literature.

CAUTION (step 4): Warmer weather or longer intervals between emptying the waste tank may require additional toilet fluid. Use only Thetford toilet fluid to achieve the best results. Never add toilet fluid directly into the toilet bowl.

CAUTION (step 14): Do not depress air release valve button until pour out spout is facing downwards.

Emptying the waste holding tank

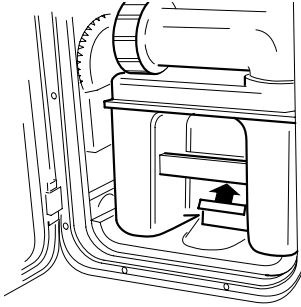
The cassette capacity is approx. 17 litres and the tank should be emptied when the waste-level warning device comes on. This will occur when the tank contains more than 15 litres of waste.

Note: After the warning device comes on, the capacity remaining is equal to approximately 5 uses.

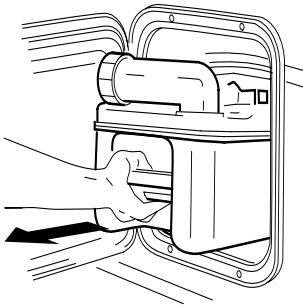
CAUTION: Do not allow the waste cassette to become overfilled. See trouble shooting section for emergency emptying procedure.

Note: Some vehicles are equipped with water pumps supplying high water pressure, which can result in having an over flushing problem. It is possible to use the flow restrictor supplied with the toilet (packed together with the instruction manual) by installing it in the water tube at the connection level.

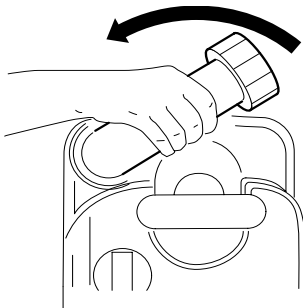
Rinse the holding tank with clean water. Prepare the cassette for use again by following steps 1 to 6. Replace the holding tank and lock the access door.



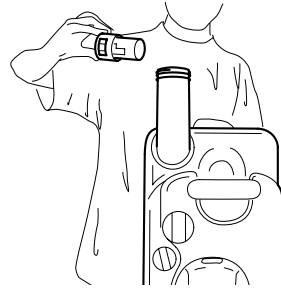
1 - Open access door and pull retaining clips upward.



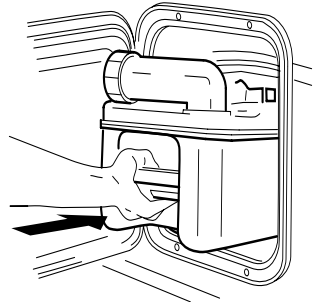
2 - Remove cassette by pulling straight out. When cassette hits stop, tilt downwards



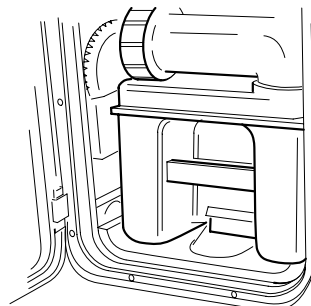
3 - Position tank vertically and swivel pour-out spout upwards.



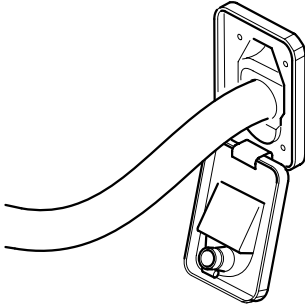
4 - Remove dosage cap and pour-out spout. Add toilet fluid in the dosage cup. Add approx. 2L of water through spout to cover tank bottom. Replace cap, return pour-out spout to original stored position.



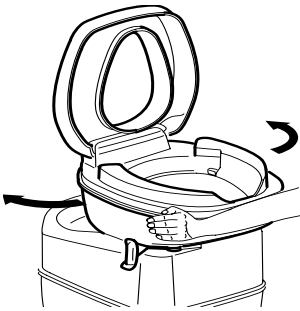
5 - Slide the holding tank into position through access door. Never force insertion as this can cause damage to the toilet.



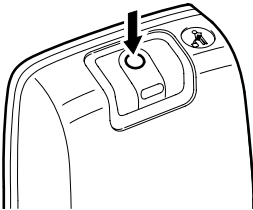
6 - Make sure the retaining clip secures the holding tank. Close and lock the access door.



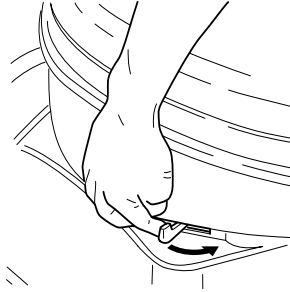
7 - Open water fill door and add 50ml. of Aqua Rinse. Then fill the tank with fresh water using a jerry can or hose. Tank capacity is 7 litres.



8 - Turn the bowl into the most comfortable position, when necessary.



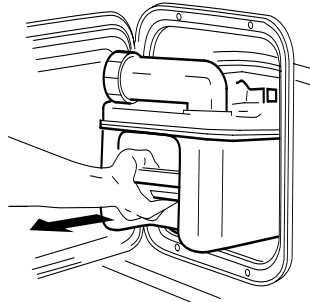
9 - Before using the toilet, we recommend to add some water to the bowl by pressing the flush button. Release button to stop.



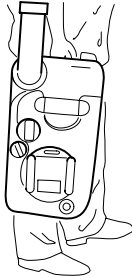
10 - After use, open the blade, by pushing the blade handle in an anti-clockwise direction and press the flush button.



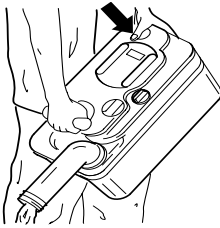
11 - After flushing, close the blade by pushing the blade handle clockwise. The toilet may also be used with the valve blade open, which allows the waste to pass directly into the holding tank.



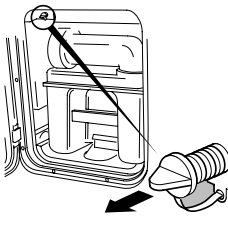
12 - Open access door and remove holding tank. The holding tank can only be removed when valve blade is closed.



13 - Carry the holding tank to a normal household toilet or authorised disposal point. Place holding tank in vertical position and rotate pour-out spout upwards.



14 - Remove measuring cap. Grasp unit by upper carrying handle nearest pour-out spout. Place other hand on upper rear hand grip so that the vent button can be depressed with thumb while emptying. This ensures a smooth outflow of tank contents.



15 - Once the pump has been cleared of water place appropriate size container under the drain plug. Empty any remaining water from the fresh water tank by taking out the drain plug. Clean the seals and lubricate them where appropriate after drying.

Winterising/Storage

The Thetford Cassette C-200 CWE is easily winterised for storage. If the toilet is connected to a separate water tank, drain the tank. When the motorhome water tank is empty, press the flush button until the water stops flowing. Empty the cassette. If the toilet is connected to a central water tank, open the electric valve by pushing the flush button while draining the water supply system of the motorhome. Empty the cassette. Leave the blade of the cassette open. Do not replace cap on spout, this helps to keep the cassette dry.

Cold weather use

The cassette can be used in cold weather when the motorhome is heated. When the vehicle is not heated for more than a day (or a night), winterise the cassette.

High Altitude and hot weather use

Changes in altitude during driving, and large temperature variations give no problems as long as the cassette is inserted into the toilet. The automatic cassette vent will depressurise that tank when there is over or under pressure. High temperatures may require additional Thetford toilet fluid.

Cleaning and maintenance

To clean the seal and blade, the use of Thetford bathroom cleaner and rinse with water is recommended. Alternatively, use a luke warm solution of diluted washing up liquid. Do not use household cleaners as they may damage the seals and other toilet parts.

Dry the seal and blade thoroughly and spray economically with silicone spray, alternatively use olive oil. Do not use Vaseline or other vegetable oil products.

The toilet bowl, seat, cover and the exterior of the toilet unit and cassette can be cleaned with a mild detergent/water mixture.



C402 TOILET

Preparing for use

Open the access door on the outside of your motorhome.

Turn the water filling funnel outwards, remove the cap and add the stated amount of Thetford toilet fluid for the water tank. This ensures a better and cleaner flush and keeps the water in the flush tank fresh. After this, fill the water tank with clean water.

Screw the cap back onto the water filling funnel and turn it back inwards towards the side of the flush water tank.

Note: 150 ml water remains in the water filling funnel when the water tank is empty.

1. Remove the waste tank by pulling the safety catch upwards.
2. Pull the waste tank outward to the stop. Tip it slightly and take the tank fully out.
3. Place the tank upright and turn the emptying spout upwards.
4. Remove the cap, with the measuring cup inside, from the emptying spout and pour the stated quantity of toilet fluid into the waste tank. This avoids unpleasant smells in the waste tank and keeps the inside of the waste tank clean. Next add approximately 2 litres of water - enough to ensure that the bottom of the waste tank is covered. Screw the cap back onto the emptying spout. Turn the emptying spout back to its original position.

WARNING: Never add toilet fluid via the valve blade or via the toilet bowl.

5. Slide the waste tank back into its original position via the access door.

Note: Never use force if you cannot get the tank back into place easily. This may cause serious damage.

6. Make sure that the waste tank is secured with the safety catch. Shut the access door and lock it.
7. Run water into the bowl by pressing the flush knob briefly or open the valve blade by turning the handle anti-clockwise. Your Thetford toilet is now ready for use.
8. After use, open the valve blade (if still

closed) by turning the handle anti-clockwise. Flush the toilet by pressing the flush knob for several seconds. Close the valve blade after use.

Note: Do not leave water in the bowl if the toilet is not being used. This does not help to reduce unpleasant smells and only leads to flooding.

Comment: To avoid blockages we advise the use of Thetford's fast dissolving toilet paper, Aqua Soft.

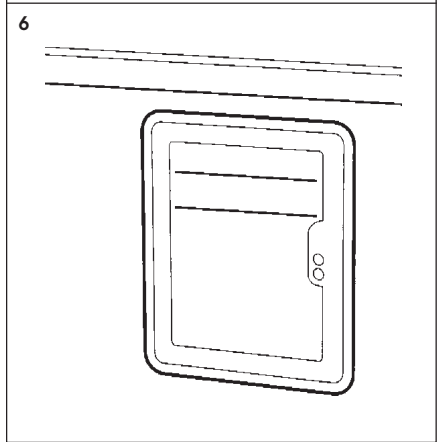
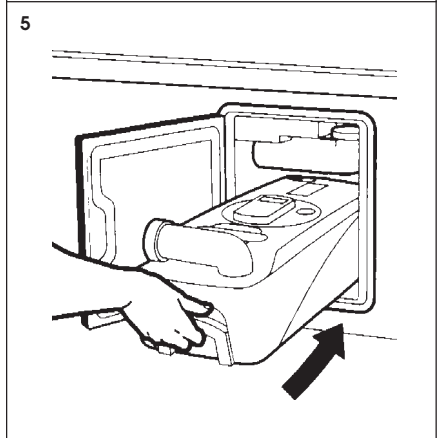
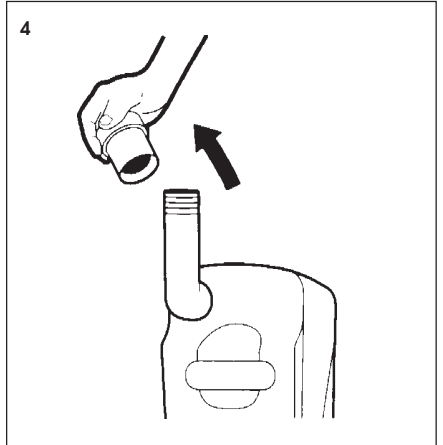
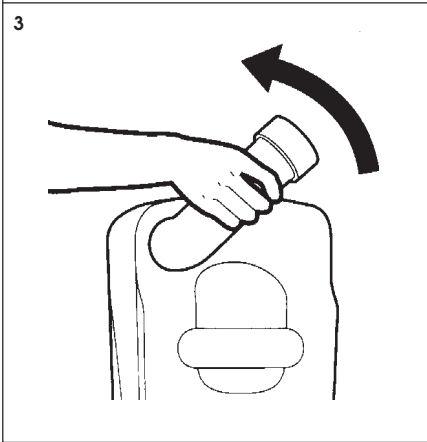
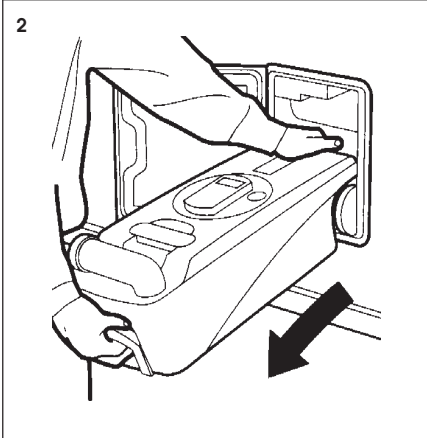
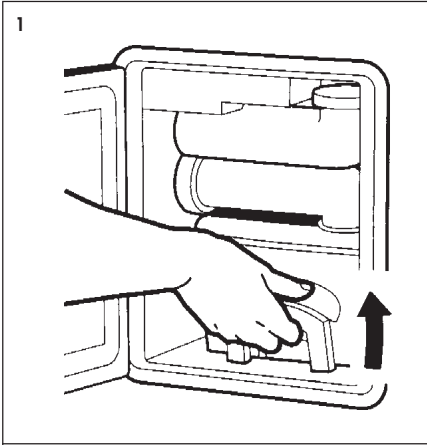
Emptying

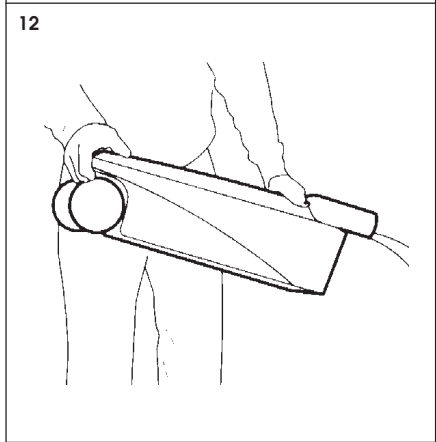
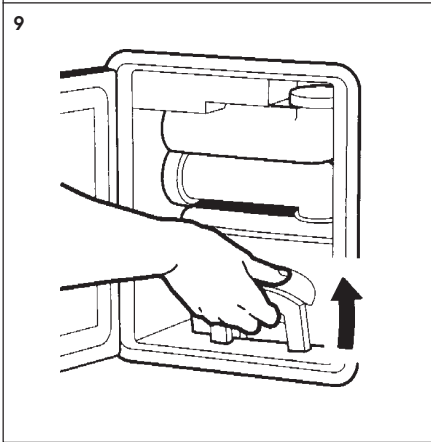
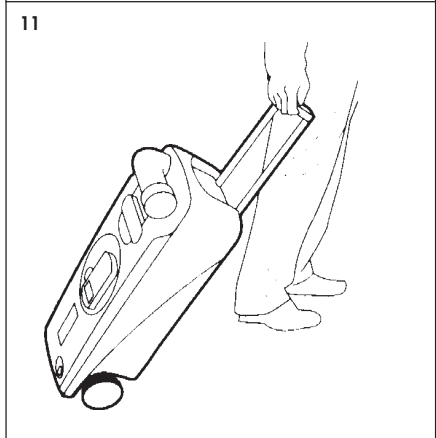
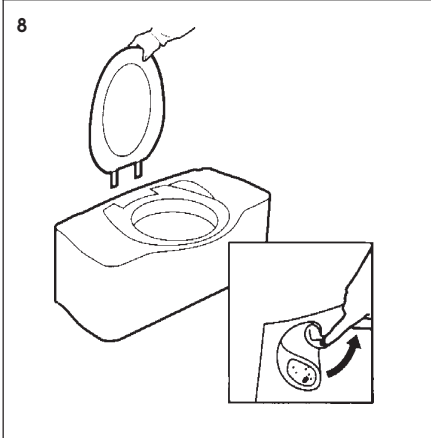
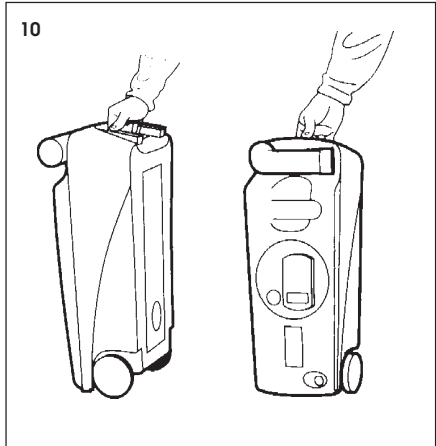
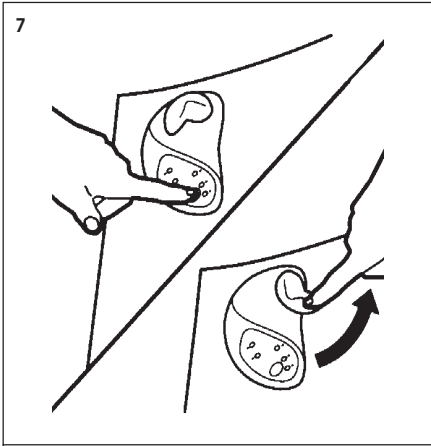
The waste tank has a capacity of 17 litres and must be emptied at the latest when the red light in the level display lights up. The indicator lamp will light up when the waste tank can still take about 2 litres, which is about three uses. It is advisable to empty the waste tank earlier.

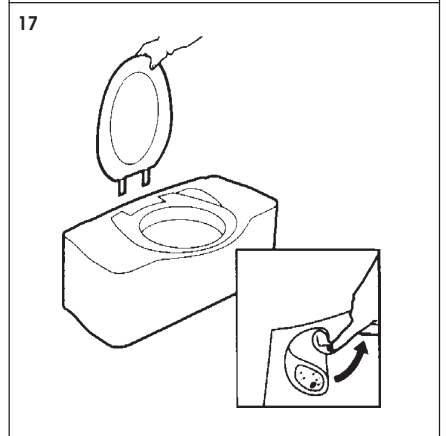
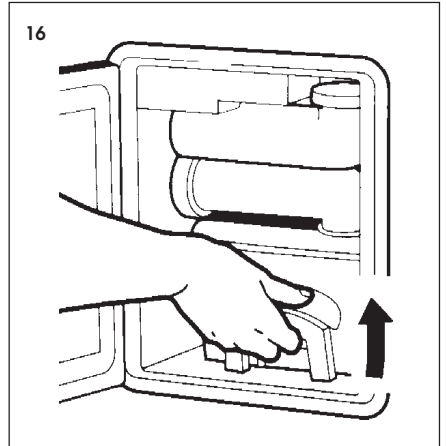
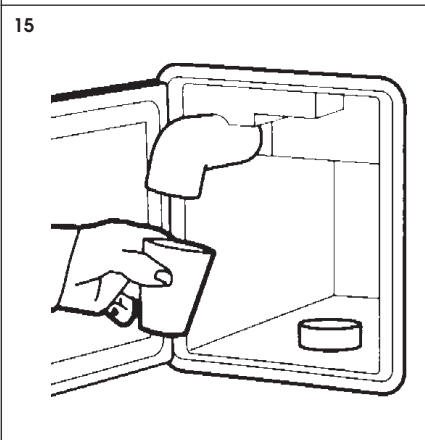
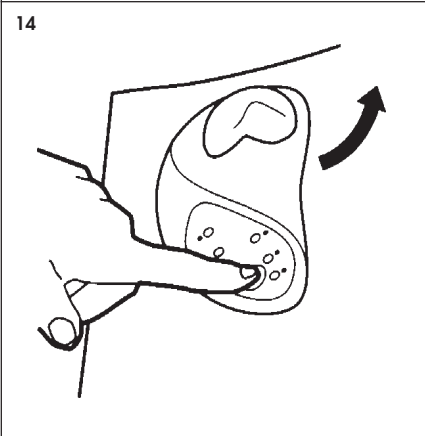
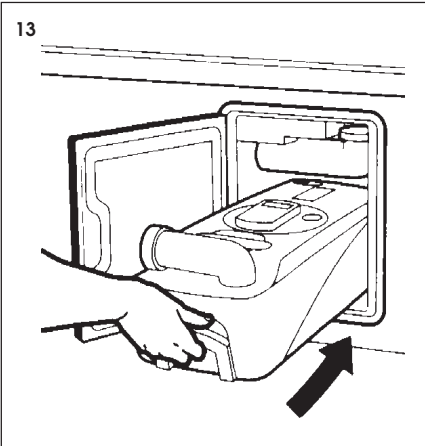
Note: Do not allow the waste tank to become too full.

9. Make sure that the valve blade is closed. Open the access door located outside the vehicle. Pull the safety catch upwards and remove the waste tank.
10. Stand the waste tank upright (Pull-out handle at the top, wheels at the bottom). Press the handle down and move it away from the waste tank until it snaps out of its locked position.
11. Pull the handle up and wheel the waste tank to an authorised waste dump.
12. Push the handle back. Turn the emptying spout upwards and remove the cap from the spout. Hold the waste tank by the upper handle with one hand, while placing your other hand by the rear handle so that during emptying you can operate the vent plunger with your thumb. To empty the tank without splashing, depress the vent plunger while emptying the tank. After emptying, flush the tank thoroughly with water. Also clean the valve blade with water.

Note: The vent plunger should only be pressed once the emptying spout is pointing downwards!







13. If required make the toilet ready for use once again. Slide the waste tank into the toilet and close the access door.

Storage

It is important that you follow the instructions below if you do not expect to use the Thetford toilet for a long period.

- 14. Open the valve blade by turning the handle on the toilet anti-clockwise. Press the blue knob until the water stops flowing into the bowl. Close the valve blade.
- 15. Open the access door on the outside of your motorhome and turn the water filling funnel outwards. Remove the cap and



empty the water filling funnel by turning it a quarter turn anti-clockwise.

16. Remove the waste tank and empty this at an authorised waste dump. Follow the instructions for cleaning and maintenance.
17. Replace the waste tank and open the valve blade by moving the handle on the toilet to the left.

Cleaning and Maintenance

The toilet should be cleaned and maintained regularly, depending on the amount of use. To clean Thetford toilets, we advise using water and Thetford Plastic Cleaner.

Note: Never use household cleaners (bleach, solvents or other powerful cleaning agents). These may cause permanent damage to the seals and other toilet components.

Toilet:

- * Squirt Thetford Plastic Cleaner in the toilet.
- * Flush the bowl with water and wipe down the rest of the toilet with a damp cloth.

TIP: For a really shining toilet, dry it with a soft dry cloth after cleaning.

- * Clean seat and lid. The seat and lid can easily be removed. Lift the lid and seat together and pull upwards. After cleaning, replace the seat and lid by positioning the round pins above the holes and then pushing the lid and seat downwards.

Waste Tank:

We advise a thorough cleaning of the waste tank once each season.

- * Remove the mechanism from the waste tank by turning it anti-clockwise, as shown on the waste tank. Rinse the complete mechanism under a tap.
- * Remove the cover plate from the automatic pressure release vent by prising it up using a screwdriver. Use one hand to push the automatic pressure release vent open, while holding the float of the automatic pressure release vent on the inside of the tank with the other

hand. Push the float upwards, turn the float a half turn and remove it from below. Remove the rubber seal that is under the float. Rinse the float and rubber seal under a tap. Replace the rubber seal and the float for the automatic pressure release vent in the same way.

The rubber seal in the toilet (the valve blade seal, the mechanism seal, the automatic pressure release vent seal and the cap seal) should be regularly treated with Thetford High Grade Seal Lubricant. This will ensure that the seals remain supple and in good condition. If the toilet is not to be used for any length of time, it is important to treat the seals with Thetford High Grade Seal Lubricant after cleaning.

NOTE: Never use Vaseline or any vegetable oil except olive oil. These may cause leakage.

N.B.: The valve blade seal is a part of the toilet that is subject to wear. Depending on the extent and manner of service, after a certain period the seal will become less effective and must be replaced.

Winter operation

You can use your Thetford cassette toilet as usual in cold weather, as long as the toilet is situated in a heated location. If this is not the case there is a risk of freezing. In that case we advise that the toilet is drained by following the instructions under 'Storage'.

For environmental reasons the use of antifreeze, such as that used in a car radiator, is not advised.



Toilet unit malfunctions

Contact your dealer or a Thetford Service Centre.

We advise draining the fresh water tank prior to travelling. Antifreeze should not be required if the motor home is heated. If you do wish to use antifreeze, brands containing the following properties may be used in the fresh water tank:

- * Ethylene glycol
- * Mono-Ethylene glycol
- * Propane-diol
- * Glycerol
- * Ethane-diol
- * Glycol

Never use alcohol based antifreeze, i.e. Methanol, Ethanol, and Iso-propanol.

ELECTRIC STEP

An electrically operated rear step is fitted, which is operated by the switch located adjacent to the entrance door.

Note: When extending the step, hold the switch until the step is completely extended. **NEVER MOUNT THE STEP IF RETRACTED OR IF NOT FULLY EXTENDED**, because then the blocking is not working and the motor can be damaged.

Caution: In the event of the rear step being left extended, a buzzer, positioned behind the dashboard, will sound (when the ignition is switched on) - and the step will self-retract. The step automatically retracts when the ignition is switched on.

Maintenance

Dirt and frost can prevent the step from operating properly. In this case the moving parts should be cleaned or defrosted. All points of movement are layered in maintenance-free bearings.

Consult manufacturers literature for further maintenance details.



INTERNAL LAYOUT

General

The Broadway is designed as a two or four-berth model offering options of single bed(s) or a large transverse double bed.

Cab Seats

Both the reclining cab seats have full forward and rearward movement by releasing the catch on the front of the seat and sliding it to the required position. Both front seats have a swivel mechanism fitted as standard.

Accommodation Seating

The standard layout for the EK model is a dinette arrangement on the offside of the vehicle featuring a forward facing seat with two seating positions, both fitted with lap and diagonal seat belts. The nearside has a longitudinal settee with underseat storage.

An optional layout of the EK model is the TB (twin bench) which has a longitudinal settee on each side instead.

The EL (end lounge) features a 'U' shaped rear lounge with lift up seat bases to give access to the under seat storage.

Please note that Auto Sleepers advises against the retrofitting of additional seat belts.

Security

Passengers are reminded that it is a legal requirement to wear the seat belts provided whilst the vehicle is in motion.

Table

A large table with folding legs is supplied with your vehicle and is stored in the wardrobe, or dedicated slide out rack in the case of the EB model. On some models a smaller pedestal leg table is also supplied and this may be fitted into holes in the floor as an alternative. This table top and leg are also stored in the wardrobe.

Caution: Ensure that the folding legs are locked in place before using the table. The table(s) must be stored securely when the vehicle is in motion.

Kitchen Area

The kitchen area comprises a Thetford cooker, with three gas hobs and a single

electric hotplate, or four gas hobs, depending on model. Adjacent to this is a stainless steel sink, concealed by a Chinchilla glass lid, which may be used as a chopping board, and a chrome mixer tap. Below the worktop are various storage cupboards and drawers, the exact layout dependant on the model. Extra serving space is provided by a worktop extension which slides out above the fridge and another which folds up on the side of the kitchen unit, on some models.

A Thetford absorption refrigerator, with automatic energy selection and an LCD display, is fitted. Above the kitchen unit are overhead lockers, one of which houses the storage racks for the crockery, which is supplied separately in its own storage bag. Four wine glasses are supplied and are housed in the unit above the fridge.

Below the overhead lockers is a cooker hood and also an LED lamp, individually switched, for illumination.

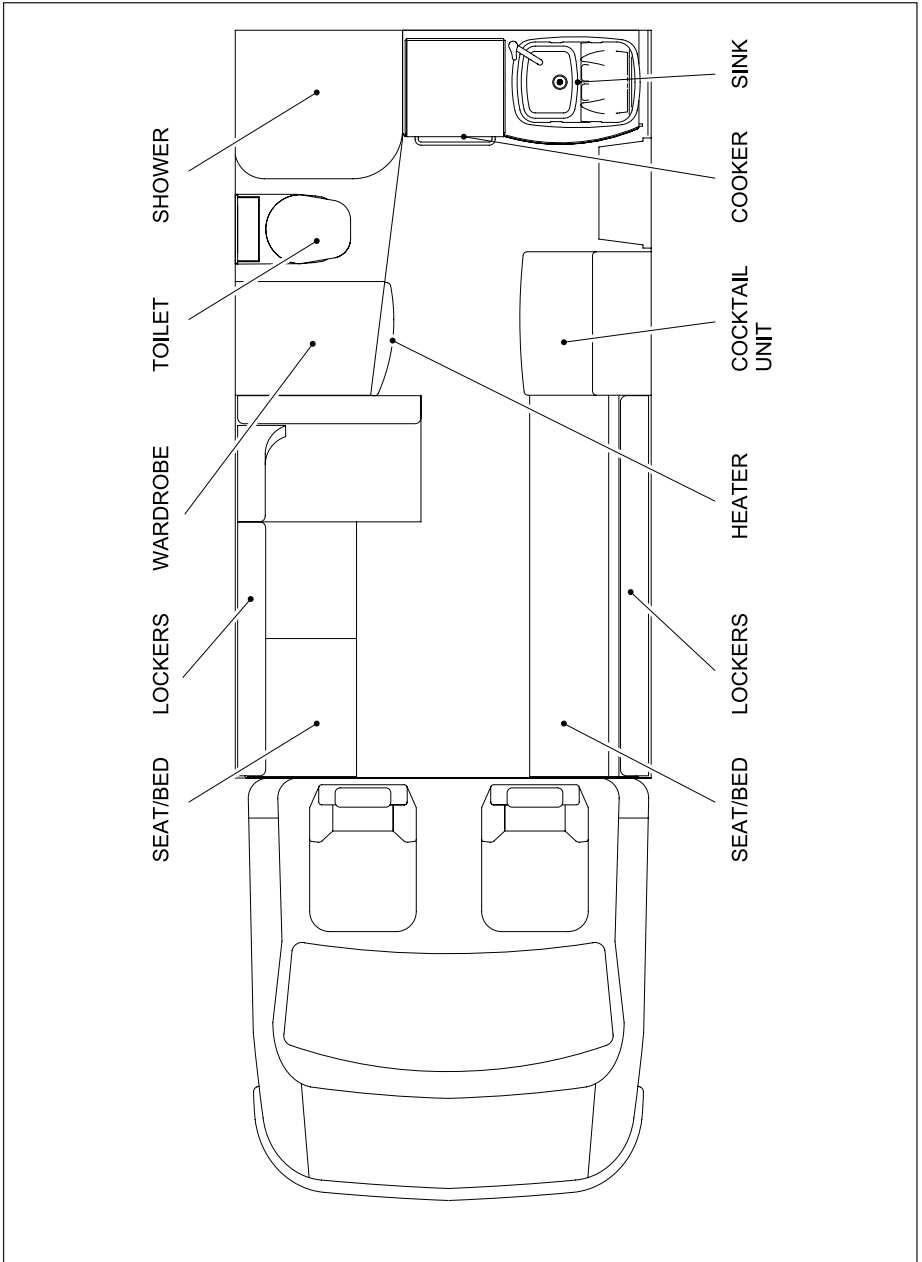
When fitted, the microwave oven is housed in one of the kitchen units above the worktop. Electrical sockets, both 230V and 12V, are also fitted above the worktop.

Adjacent to the entrance door the kitchen bulkhead houses, at low level, a courtesy light (operated by pushing the corner of the lens) to illuminate the stepwell and a switch for the electric step. At worktop height are switches controlling the background lighting above the overhead lockers and the overdoor downlighter. Near the top of the bulkhead is the electrical control panel, with scrolling menu display and programmable control of all the vehicle's electrical services. It incorporates water tank level indicators and master switches for the water pump and 12V circuits.

Lounge Area

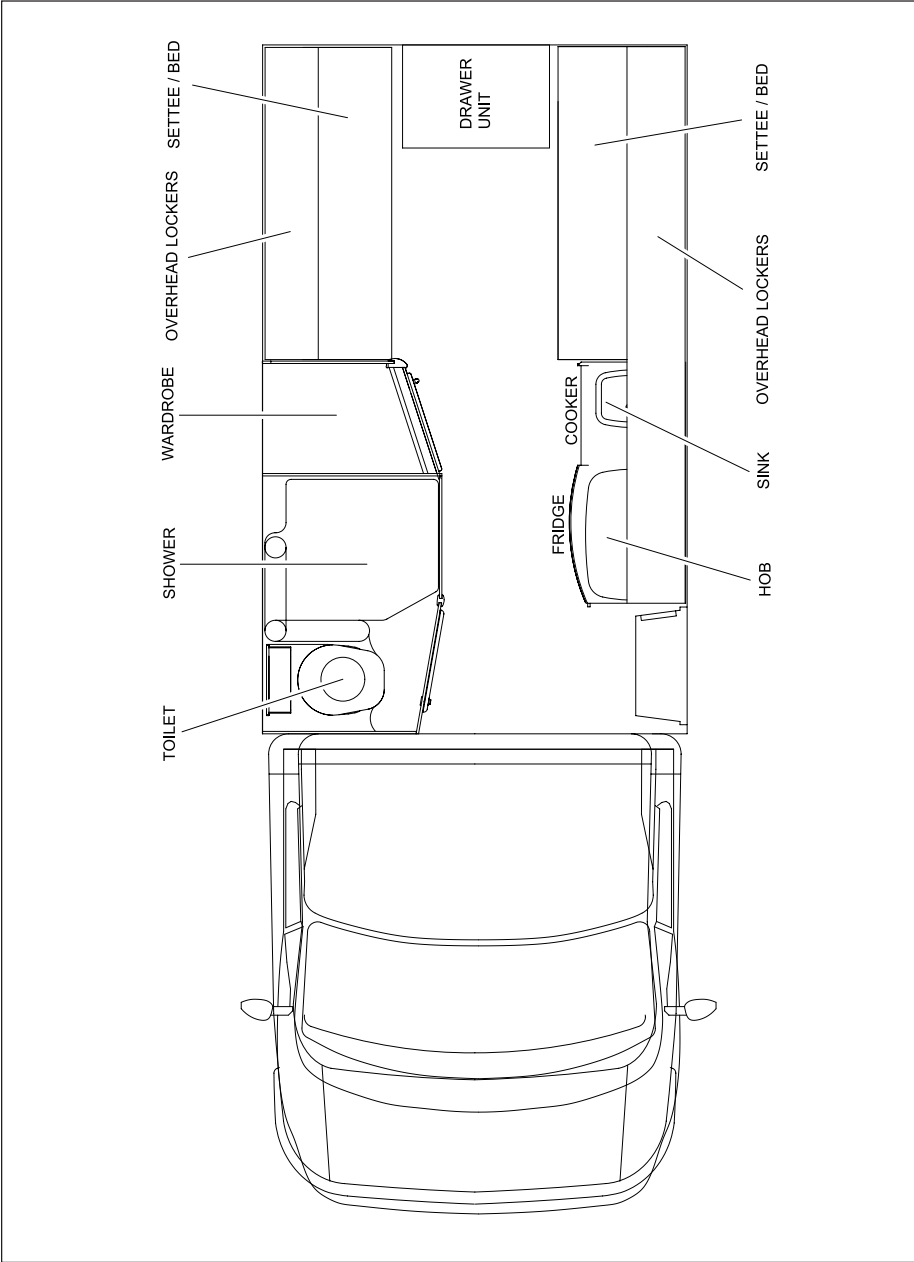
The lounge area of all models consists of an inward facing settee on the nearside of the vehicle. Depending on the exact model, the offside will consist of a dinette arrangement or another inward facing settee. All seats have slatted bases which lift up to provide access to the underseat storage. (In order to make lifting the base easier it is

ARRANGEMENT OF EQUIPMENT (BROADWAY EK)



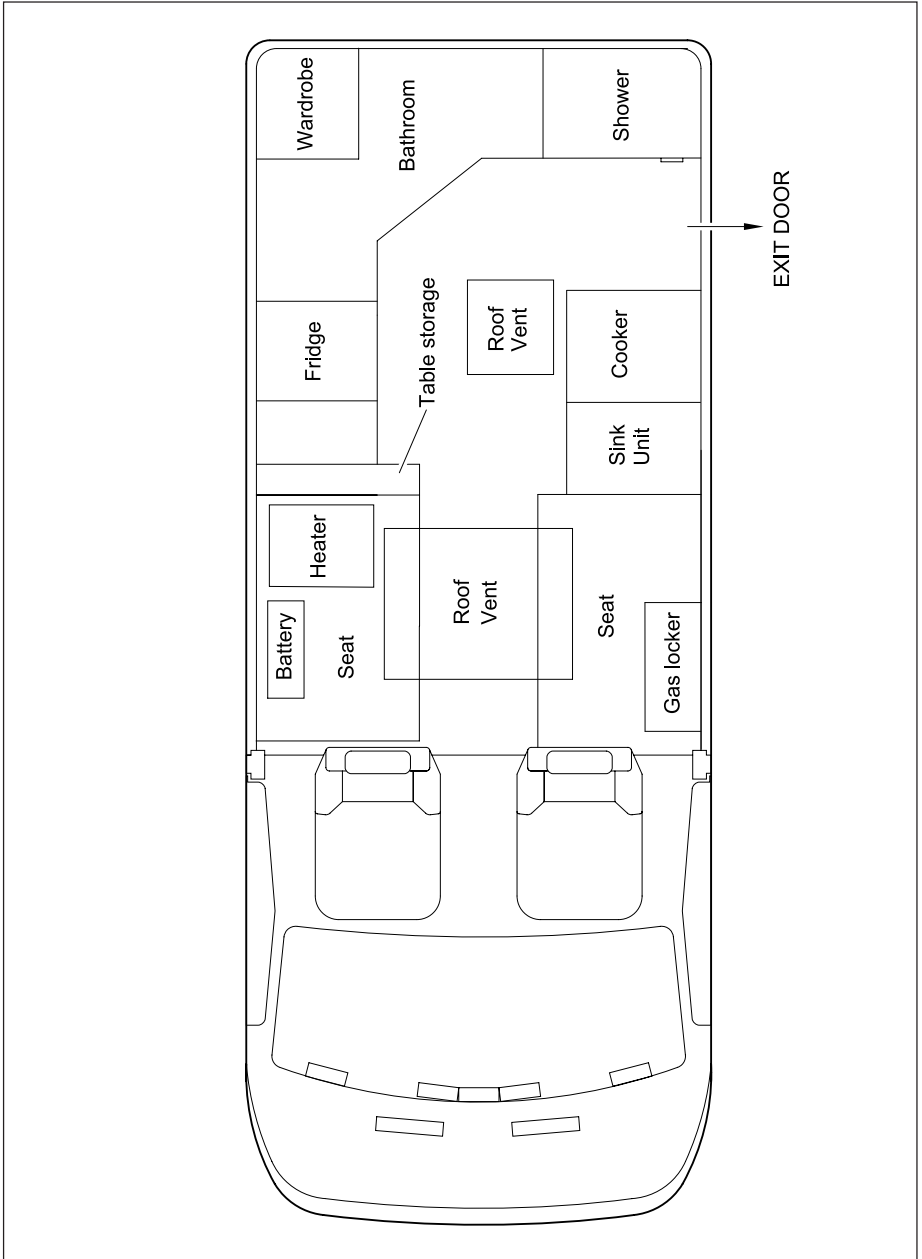


ARRANGEMENT OF EQUIPMENT (BROADWAY EL DUO)





ARRANGEMENT OF EQUIPMENT (BROADWAY EB)





recommended that the backrest is first laid flat against the seat cushion).

Lighting throughout the vehicle is provided by LED lights contained in the top of the overhead lockers (which also serve to illuminate the inside of the lockers), and also individually switched LED lights on the ceiling. Additional lighting in the lounge area is provided by spotlamps, individually switched, fitted to the underside of the overhead lockers.

Bathroom

The bathroom features an electric flush toilet, a washbasin with chrome mixer tap and a swing out shower. There is a storage cabinet, with sliding mirrors doors, above the basin and a shelf storage unit to the left. A chrome towel ring and toilet roll holder are also fitted.

The swing out shower features a chrome mixer tap and shower head, and also storage for toiletries. A plastic shower mat prevents damage to the shower tray when not in use. Twin LED lights are fitted into the roof, along with a five way ventilator with fly screen and blind.

There is also a warm air outlet duct fitted near the floor.

Bathroom EB model

The bathroom occupies the whole width of the rear of the vehicle, and consists of an electric flush toilet, a washbasin with mixer tap and a separate shower cubicle with folding doors. Below the basin is a storage unit, and above is a mirror with an overhead light for illumination. The shower features a chrome mixer tap and shower head, and also a storage rack for bottles etc. A plastic mat prevents damage to the shower tray when not in use. Three LED lights, individually switched, are fitted in the ceiling, along with an MPK ventilator, with flyscreen, which allows fully adjustable ventilation. An additional extractor fan is fitted in the ceiling of the shower and is operated by the light switch. There is a blown warm air outlet fitted near the floor below the wardrobe.

Wardrobe

The wardrobe is located adjacent to the bathroom and has a storage drawer fitted below it. Below this drawer, in the base of the wardrobe unit is fitted the Truma Combi space and water heater. On the rear wall of the wardrobe is found the Sargent electrical control box, along with the 230V electricity isolation switch for the Combi heater and the gas isolation taps.

The controls for the Combi heater are located on the lounge side of the wardrobe wall.

Storage

Storage is provided by the cupboards, lockers and within the settee bases.

Heavy items must not be stored in any overhead locker, or any storage area from which they could come free and cause injury to the occupants. Ensure all cupboards are securely fastened before moving off (ie that the push buttons are in the 'locked' position).

Ensure that articles stowed below the cab seats will not come loose when the vehicle is being driven.

Gas Isolation taps

Each gas appliance in the vehicle is protected by its own isolation tap, which is coloured red with its own unique identifying symbol. For explanation of these symbols please refer to page 7-7. For location of these taps refer to the Location of Key Facilities chart on page 9-33 and 9-34.

Caravan Door

Your motorhome is fitted with a Hartal door linked to the central locking system, which incorporates a double glazed window, with concertina blind, and a waste bin.



LOCATION OF KEY FACILITIES - EK	
Awning light switch	Bottom lefthand switch, or 'Aux' on control panel
Controls for space/water heater	Lounge side of wardrobe
Electric step switch	Lower bulkhead adjacent to door
Electrical isolation switch for space/water heater	Inside wardrobe on left hand wall
Fuses, 12V DC	On Electrical Control Unit front panel
Gas isolation taps	Inside wardrobe on right hand wall
Habitation (Leisure) battery	Under offside settee
Main 12V control panel	Upper bulkhead adjacent to door
Main 12V switch for lighting	On control panel
Microwave oven isolation switch	In cupboard below microwave oven
Miniature Circuit Breakers (MCBs)	On Electrical Control Unit front panel
Radio rear speakers	Below rear overhead lockers
Reading lights	Below lockers, all individually switched
Residual Current Device (RCD)	On Electrical Control Unit front panel
Safe (when fitted)	At back of lower kitchen cupboard
TV aerial socket	One on lounge side of cocktail cabinet One inside front nearside overhead locker One below front nearside overhead locker
Water heater safety / drain valve	Under offside settee
Water pump / Filter	In freshwater tank
Water pressure adjustment valve	Under offside settee
12V DC sockets	One on lounge side of cocktail cabinet One inside front nearside overhead locker One below front nearside overhead locker
230V AC sockets	Two in corner of kitchen above worktop Two on lounge side of cocktail cabinet One on front panel of offside settee



LOCATION OF KEY FACILITIES - EL DUO	
Awning light switch	Bottom lefthand switch, or 'Aux' on control panel
Controls for space/water heater	Lounge side of wardrobe
Electric step switch	Lower bulkhead adjacent to door
Electrical isolation switch for space/water heater	On Electrical Control Unit front panel
Fuses, 12V DC	On Electrical Control Unit front panel
Gas isolation taps	Cupboard below cooker
Habitation (Leisure) battery	Under offside settee
Main 12V control panel	Upper bulkhead adjacent to door
Main 12V switch for lighting	On control panel
Microwave oven isolation switch	Corner panel below microwave oven
Miniature Circuit Breakers (MCBs)	On Electrical Control Unit front panel
Radio rear speakers	Below rear corner lockers
Reading lights	Below lockers, all individually switched
Residual Current Device (RCD)	On Electrical Control Unit front panel
Safe (when fitted)	Under rear of nearside settee
TV aerial socket	One in cupboard adjacent to wardrobe One in front offside overhead locker
Water heater safety / drain valve	Under offside settee
Water pump / Filter	In freshwater tank
Water pressure adjustment valve	Under offside settee through access hole in panel
12V DC sockets	One in cupboard adjacent to wardrobe One in front offside overhead locker
230V AC sockets	One in corner of kitchen above worktop One on lounge side of kitchen unit One on front panel of offside settee One on front panel of nearside settee



LOCATION OF KEY FACILITIES - EB	
Awning light switch	Bottom lefthand switch, or 'Aux' on control panel
Controls for space/water heater	Above entrance door
Electric step switch	Lower bulkhead adjacent to door
Electrical isolation switch for space/water heater	On Electrical Control Unit front panel
Fuses, 12V DC	On Electrical Control Unit front panel
Gas isolation taps	Under offside settee and lower kitchen cupboard
Habitation (Leisure) battery	Under offside settee
Main 12V control panel	Above entrance door
Main 12V switch for lighting	On control panel
Microwave oven isolation switch	Below microwave oven
Miniature Circuit Breakers (MCBs)	On Electrical Control Unit front panel
Radio rear speakers	Below rear overhead lockers
Reading lights	Below lockers, all individually switched
Residual Current Device (RCD)	On Electrical Control Unit front panel
Safe (when fitted)	At back of lower kitchen cupboard
TV aerial socket	One in cupboard next to microwave oven One in rearmost offside overhead locker
Water heater safety / drain valve	Under offside settee
Water pump / Filter	In freshwater tank
Water pressure adjustment valve	Under offside settee
12V DC sockets	One in cupboard next to microwave oven One in rearmost offside overhead locker
230V AC sockets	One in corner of kitchen above offside worktop Two in corner of kitchen above nearside worktop One on front panel of offside settee One on front panel of nearside settee



SLEEPING ARRANGEMENTS

BROADWAY EK

Single bed

Nearside - Remove the backrest cushion from the longitudinal settee to create the maximum width single bed.

Offside - With the dinette seating arrangement, pull the two seat cushions together until they meet. Use the seat backs to fill the space between the seat base and the bulkhead at each end.

With the twin bench seat arrangement (TB model), simply remove the backrest as nearside.

Double bed

Make up the offside bed as above. On the nearside, slide the seat base towards the centre of the vehicle until it meets the offside single bed. In the space created, lie the seat back adjacent to the base cushion and fill the remaining gap between the seat back and the side of the van with the four small infill cushions.

BROADWAY EB

Single beds

Swivel the front seat around to face the settee. (Note that on the driver's side you may have to lower the handbrake first). Fit the infill cushion at the end of the settee by inserting the board under the end of the base cushion. Adjust the fore and aft position of the front seat to meet the infill cushion. Remove the settee backrest cushion to create the maximum width bed, if required.

Transverse double bed

Slide out the base of each inward facing settee until they meet in the middle of the vehicle. Use the backrest cushion of each settee to fill the space created between the base cushion and the side of the vehicle.

BROADWAY EL DUO

Single beds

Remove the backrest cushions from the longitudinal settees in order to create the maximum width single beds.

Transverse double bed

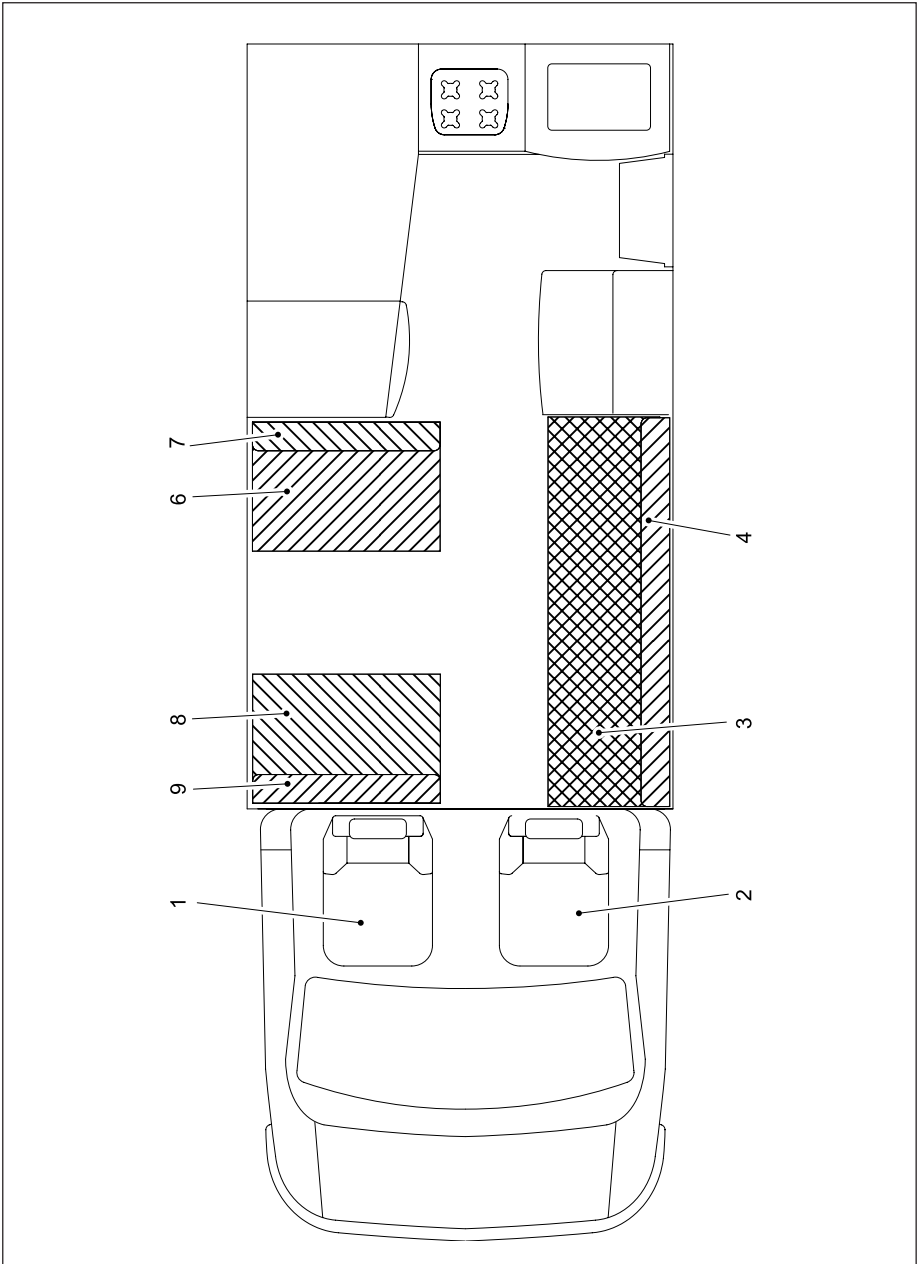
Slide out the seat base of each inward facing seat until they meet in the middle of the vehicle. Use the backrest cushion of each seat to fill the space created between the base cushion and the side of the vehicle.

Overcab Bunk (where fitted)

To use this bed, pull the base board down to lie flat. To gain access to the bunk use the ladder supplied ensuring that it is securely fixed into the retaining clips. Slide the mattresses across so that they fit tight to the front, then make up the bedding before lifting up the attached safety net and clipping it into position. When upper bunks are used by children, especially under the age of six years, care shall be taken against the risk of falling out.

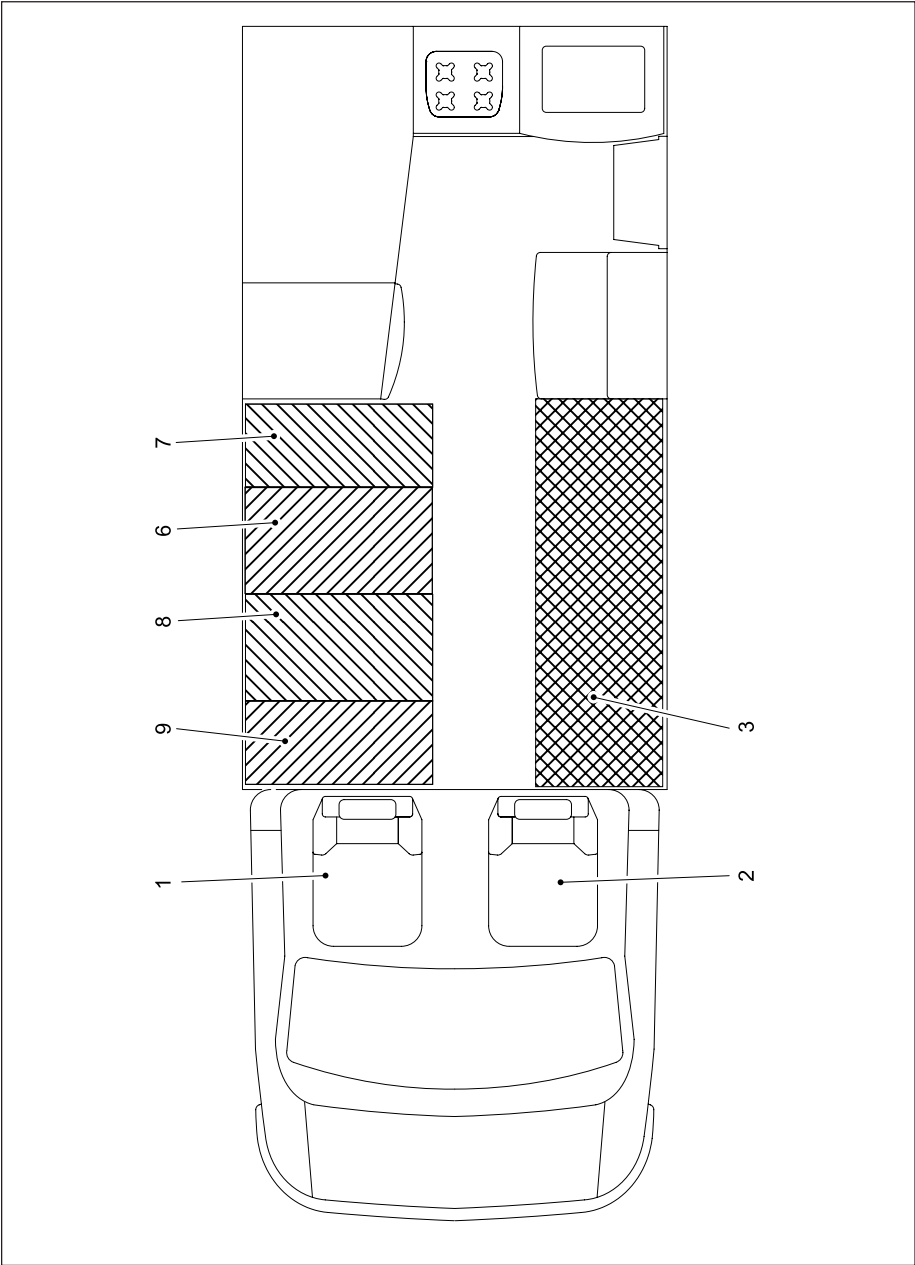


NORMAL SEATING ASSEMBLY (BROADWAY EK)



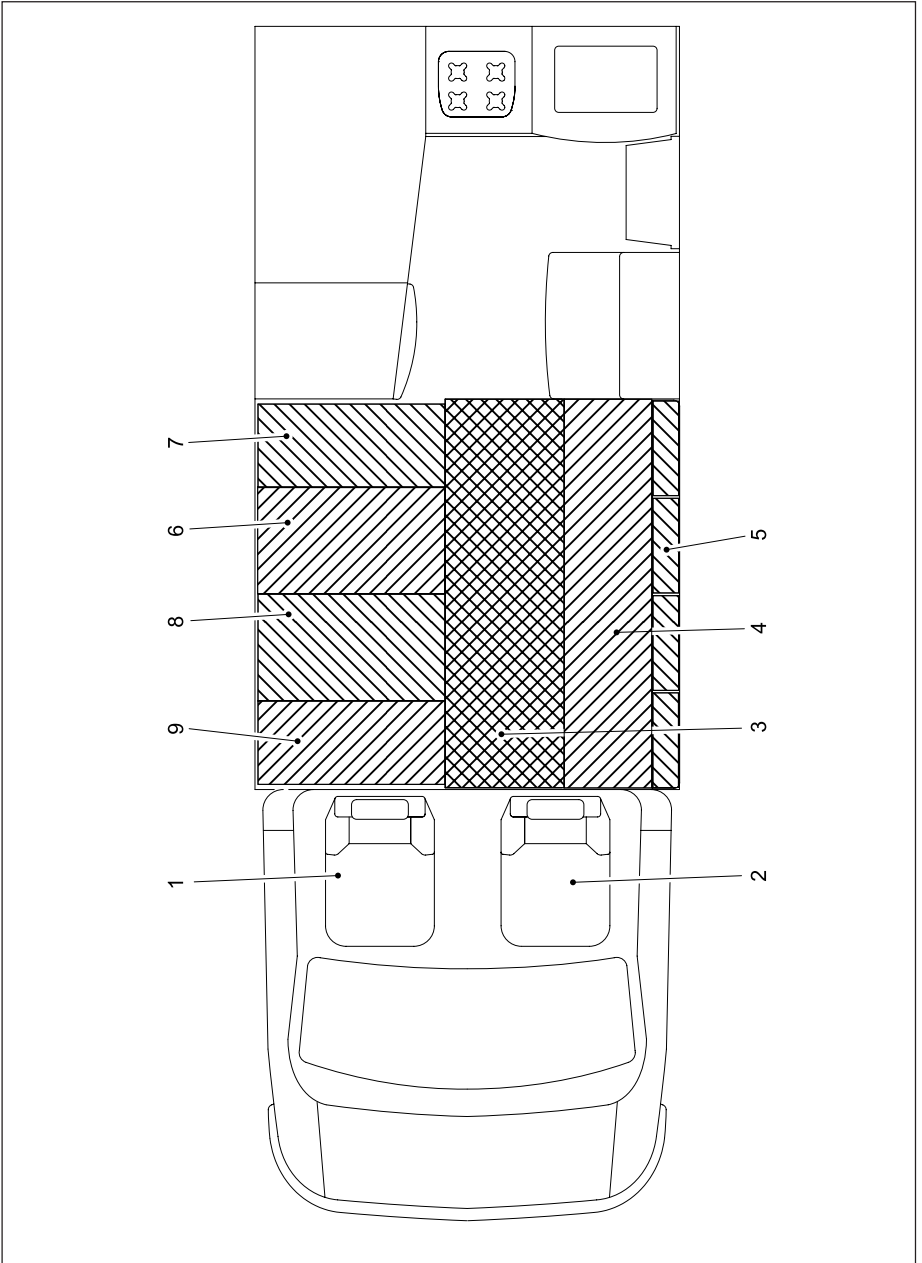


SINGLE BED ASSEMBLY (BROADWAY EK)





DOUBLE BED ASSEMBLY (BROADWAY EK)



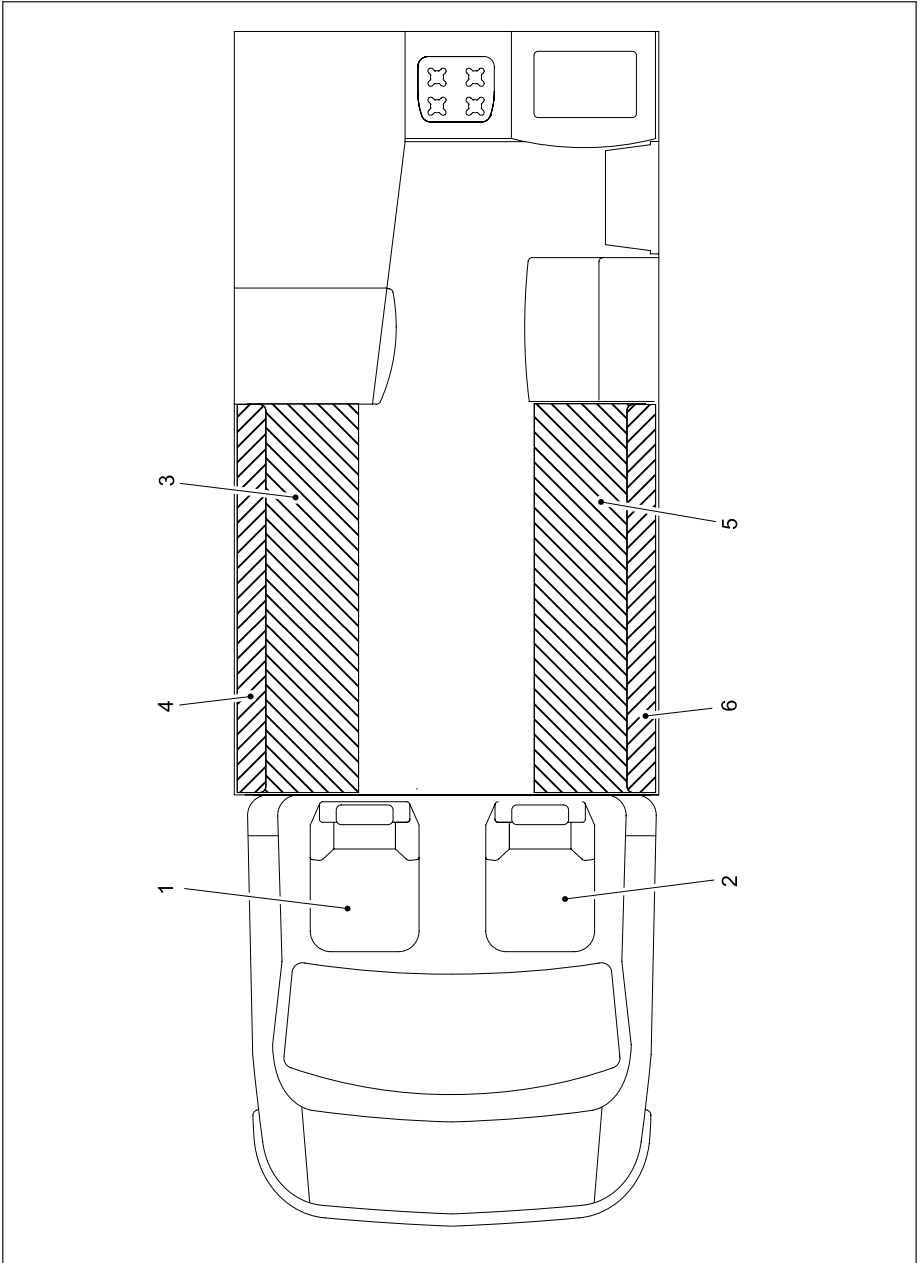


PARTS LIST (BROADWAY EK)

Item	Part No	Description/Cushion type	Qty	Notes
1	CS0161	CAB SEAT RH	1	-
2	CS0161	CAB SEAT LH	1	-
3	CS0335	BENCH SEAT BASE CUSHION	1	-
4	CS0335	BENCH SEAT BACK REST	1	-
5	CS0335	BENCH SEAT INFILL CUSHION	4	-
6	CS0335	FORWARD FACING BASE SEAT	1	-
7	CS0335	FORWARD FACING BACK REST	1	-
8	CS0335	REAR FACING BASE SEAT	1	-
9	CS0335	REAR FACING BACK REST	1	-
13	CS0338	OVERCAB FRONT CUSHION	1	-
14	CS0338	OVERCAB REAR CUSHION	1	-

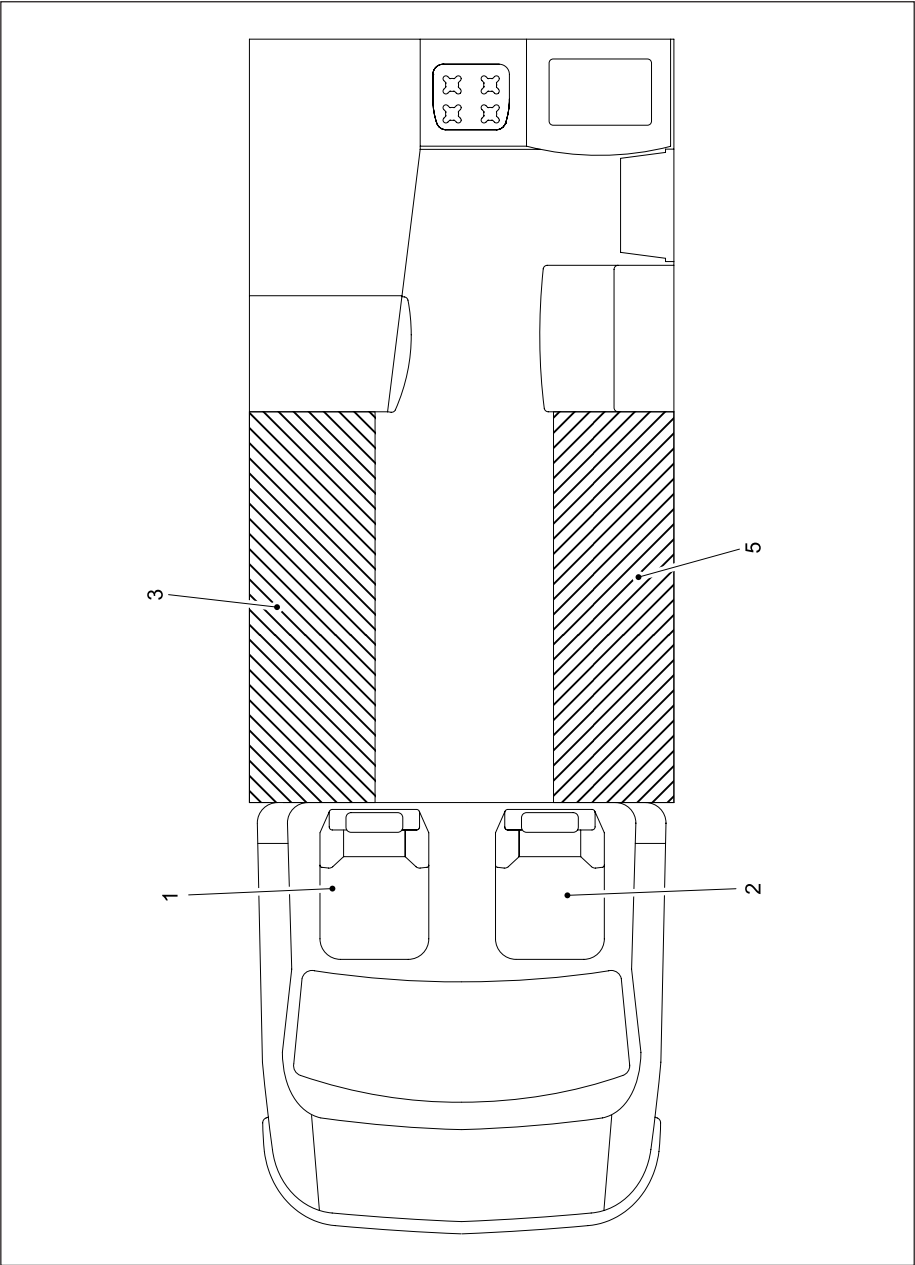


NORMAL SEATING ASSEMBLY (BROADWAY EK - TB)



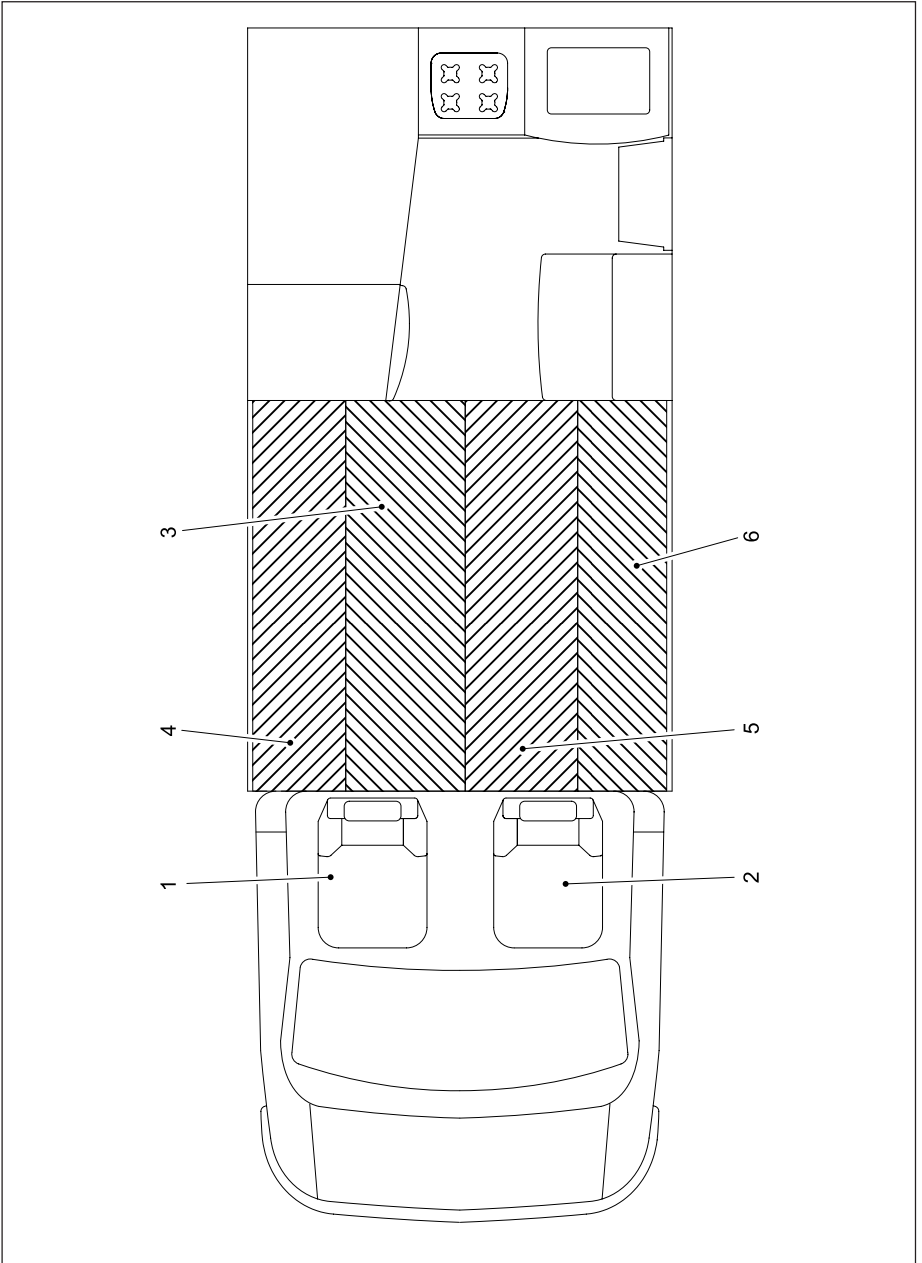


SINGLE BED ASSEMBLY (BROADWAY EK - TB)





DOUBLE BED ASSEMBLY (BROADWAY EK - TB)



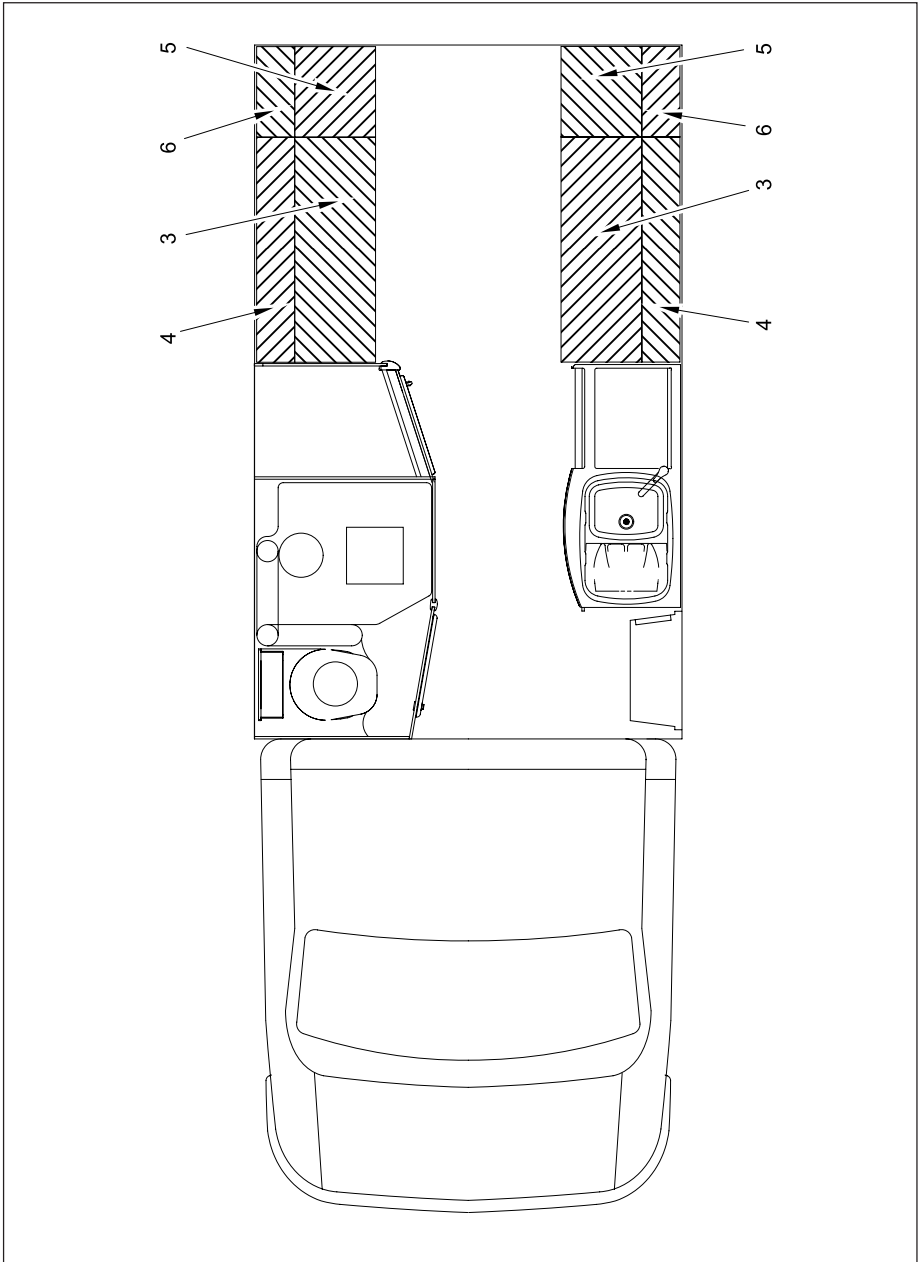


PARTS LIST (BROADWAY EK - TB)

Item	Part No	Description/Cushion type	Qty	Notes
1	CS0161	CAB SEAT RH	1	-
2	CS0161	CAB SEAT LH	1	-
3	CS0312	BENCH SEAT BASE CUSHION O/S	1	-
4	CS0312	BENCH SEAT BACK REST O/S	1	-
5	CS0312	BENCH SEAT BASE CUSHION N/S	1	-
6	CS0312	BENCH SEAT BACK REST N/S	1	-

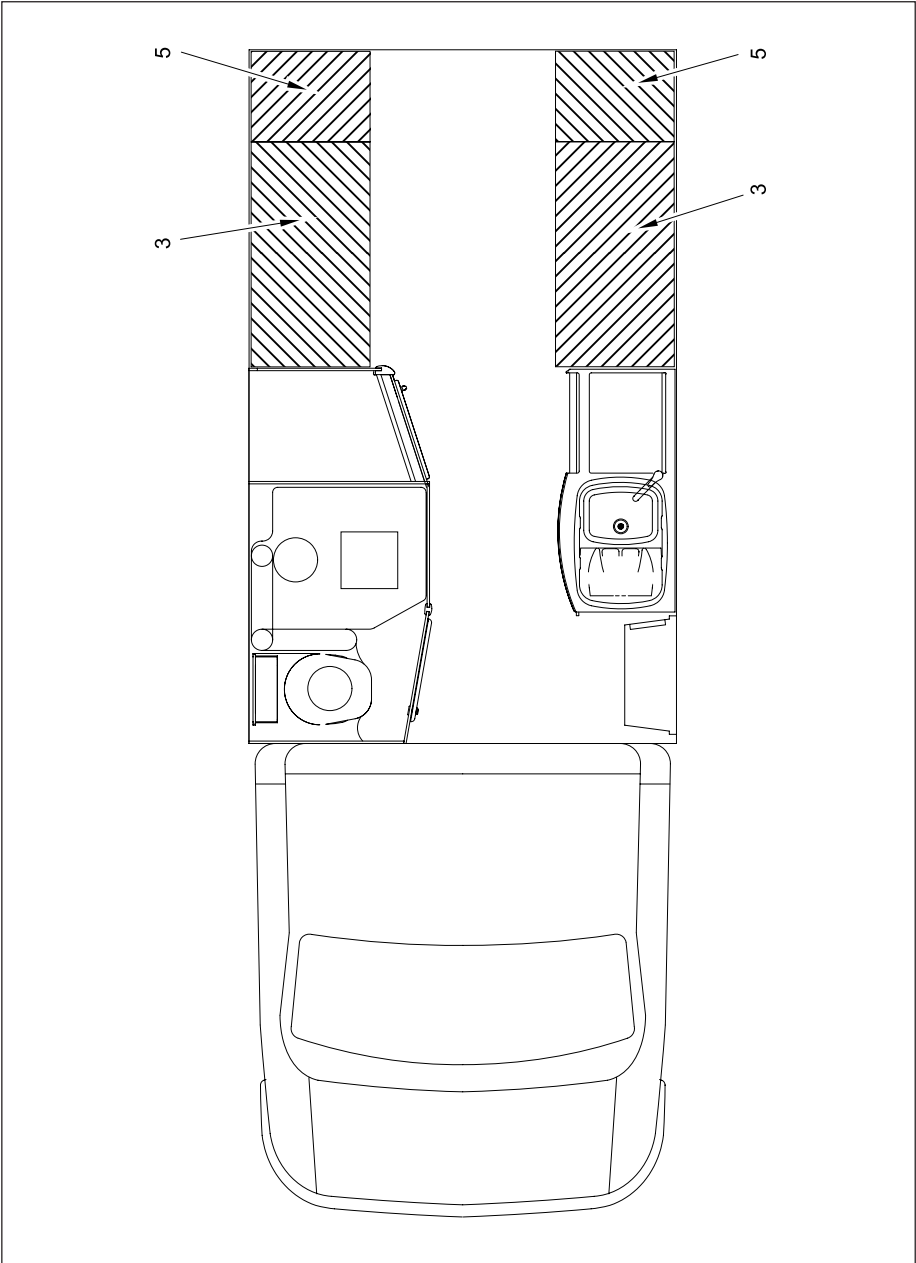


NORMAL SEATING ASSEMBLY (BROADWAY EL DUO)



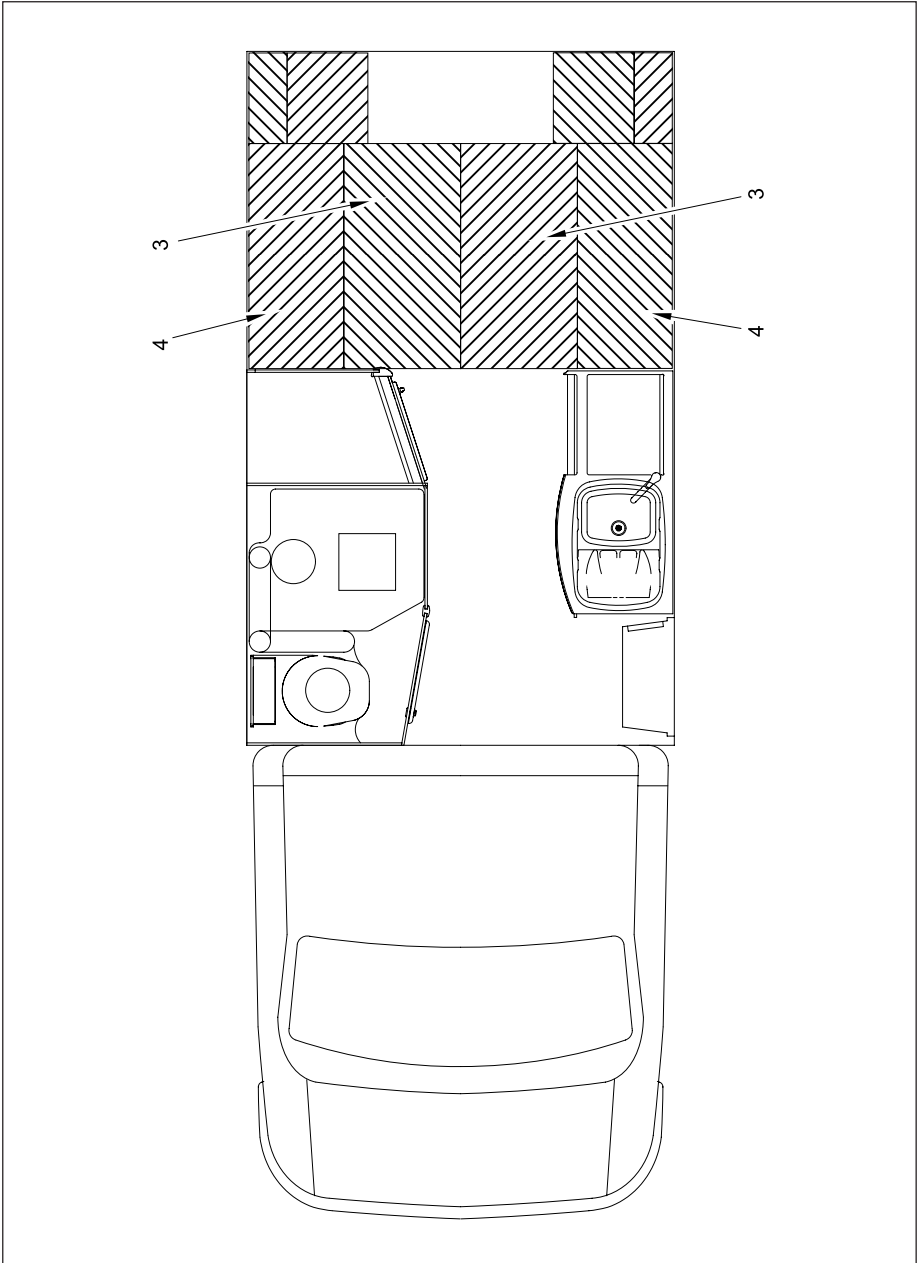


SINGLE BED ASSEMBLY (BROADWAY EL DUO)





DOUBLE BED ASSEMBLY (BROADWAY EL DUO)



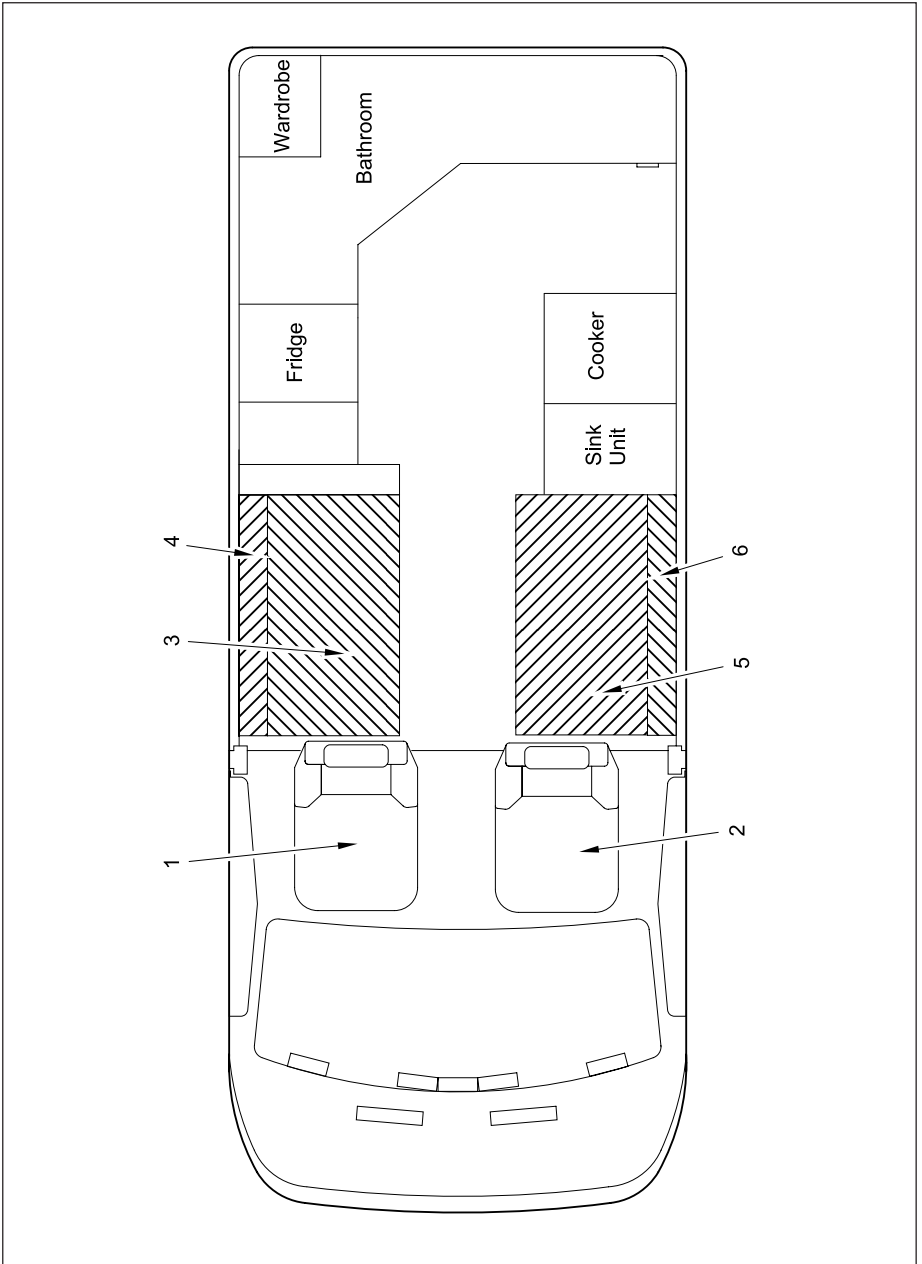


PARTS LIST (BROADWAY EL DUO)

Item	Part No	Description/Cushion type	Qty	Notes
1	CS0161	CAB SEAT RH	1	-
2	CS0161	CAB SEAT LH	1	-
3	CS0349	BENCH SEAT BASE CUSHION	2	-
4	CS0349	BENCH SEAT BACK REST	2	-
5	CS0349	CORNER BASE CUSHION	2	-
6	CS0349	CORNER BACK REST	2	-

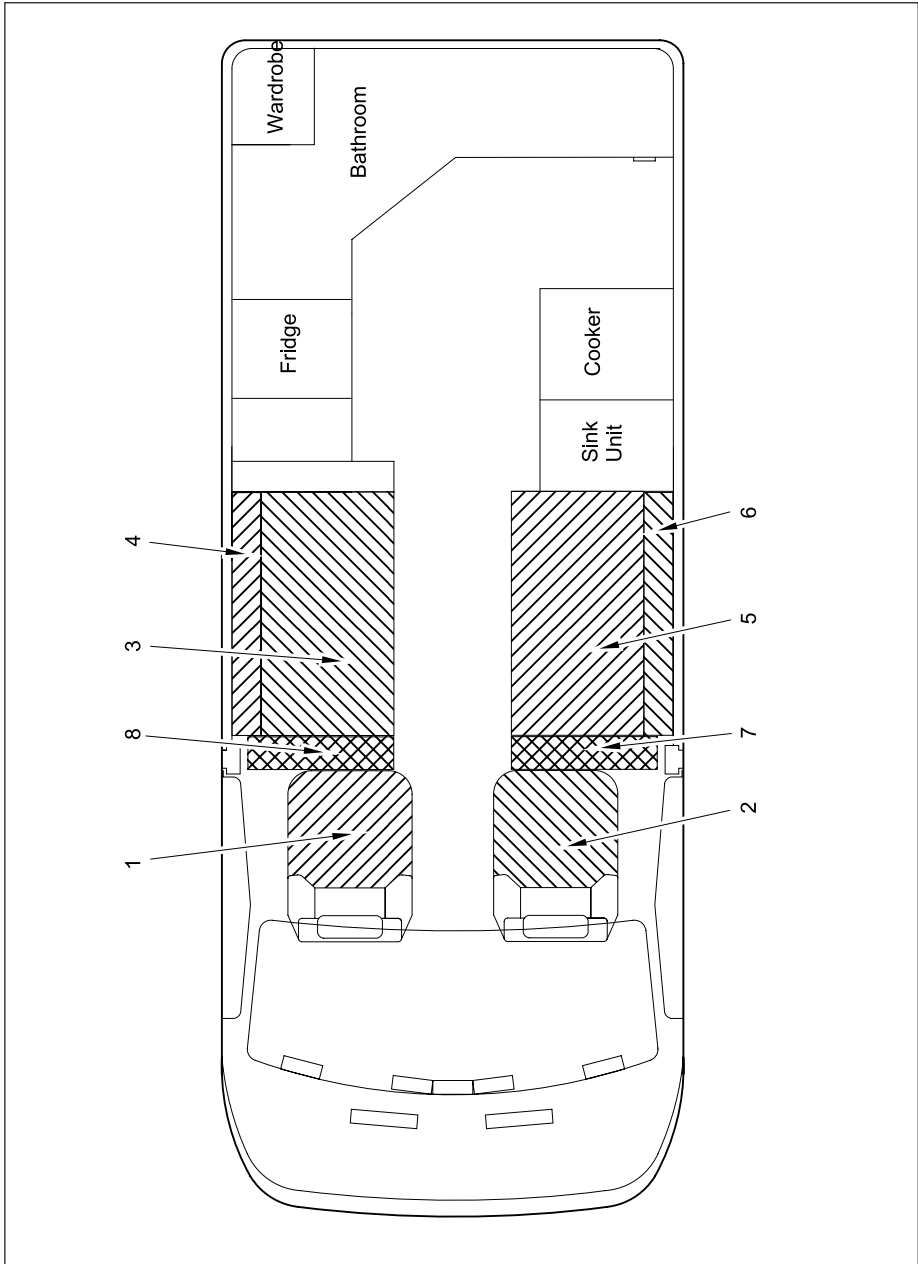


NORMAL SEATING ASSEMBLY (BROADWAY EB)



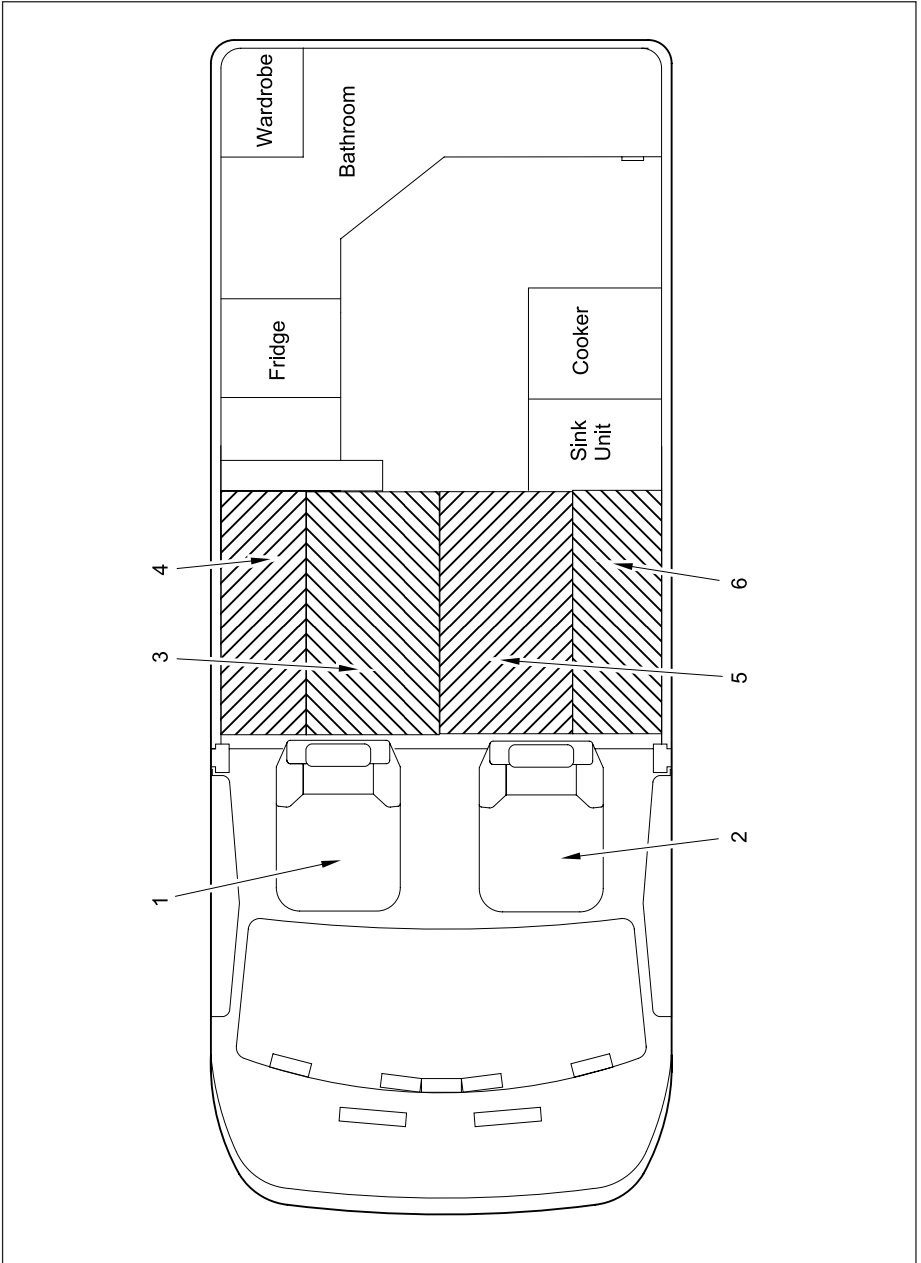


SINGLE BED ASSEMBLY (BROADWAY EB)





DOUBLE BED ASSEMBLY (BROADWAY EB)





PARTS LIST (BROADWAY EB)

Item	Part No	Description/Cushion type	Qty	Notes
1	CS0161	CAB SEAT RH	1	-
2	CS0161	CAB SEAT LH	1	-
3	CS0368	OFFSIDE SEAT CUSHION	1	-
4	CS0368	OFFSIDE BACKREST CUSHION	1	-
5	CS0368	N/S SEAT CUSHION	1	-
6	CS0368	N/S BACKREST CUSHION	1	-
7	CS0368	INFILL CUSHION	1	-
8	CS0368	INFILL CUSHION	1	-



EQUIPMENT ARRANGEMENT

Windows and Ventilation

Double glazed acrylic windows are fitted as standard to all lower caravan windows. These top hinged windows allow excellent ventilation and are secured by locking over centre catches. They may be kept open in a variety of positions by use of the ratchet. To unlock the catch, depress the button in the centre of the handle stays and turn.

The top hinged acrylic windows must be locked closed, or in their intermediate travelling position, whilst the vehicle is in motion.

Ventilation

Your vehicle is fitted with two Remis roof lights, a medium size one above the kitchen area, and a larger one above the lounge. On some models there is also a Seitz Skyview over the cab.

When the vehicle is being driven the roof ventilators should be fully closed. Wind noise may be reduced by closing the night blind.

WARNING: The roof ventilators are designed to flow a certain amount of air even when fully closed. Do not obstruct them - your safety depends on them.

Remis Roof Light

The Remis roof lights incorporate a separate sliding flyscreen and night blind which can operate even if the ventilator is open. To open the large roof light, release the handle and wind until the required position is reached. To open the smaller roof light, release the catch and push upwards until one of the holding positions is reached.

Seitz Roof Light

The Seitz roof light is operated by a rotating handle, which means it can be opened to any required position. It incorporates a separate sliding flyscreen and night blind which can operate even if the ventilator is open.

Insulation

The Broadway is insulated largely in polystyrene, a material with high insulation qualities. This is used in the construction of the floor, body sides, rear panel and ceiling, and contributes greatly to the insulation qualities.

Stainless Steel Sink and Drainer

The stainless steel sink and drainer should only be cleaned with light detergent. Under no circumstances should bleach be used since this will react adversely with the stainless steel and may cause small holes in the metal. Immediately beneath the sink is a slide-out cutlery drawer.

Extra Work Surface

Extra work surface is provided by a slide out flap above the fridge, which is retained in its stowed position by an internal catch. On some models there is also a pull up flap on the lounge side of the fridge cabinet. To close this it is necessary to release both catches simultaneously.

It is not recommended to travel with these worktops extended, nor of course, with anything on them.

Habitation Battery

The battery is a 110AH 12V, low maintenance, leisure battery which should only require attention at the annual habitation service.

If a replacement habitation battery should be required then it is important that the replacement be of the same type and specification as that originally fitted.

WARNING: Switch off all appliances and lamps before connecting or disconnecting the habitation battery.



Electronic Control System/Battery Charger

A Sargent EC325 Power Control System is fitted in the back of the wardrobe, or the EC500 system in the lower kitchen cupboard. It features a built in intelligent 'offline' battery charger, a system monitoring circuit and a digital control panel with scrolling menus. For a full description of this unit including operating instructions and fault finding, refer to the Connection of Services section.

Electrical - General

The 230V AC sockets fitted to your vehicle are suitable only for medium demand components such as televisions and hairdryers. Safety/overload protection is provided by the MCBs located under the cover on the front of the electrical control box.

An electrical interface adaptor box is located on the bulkhead behind the driver's seat. This contains fuses and relays for systems connected directly to the base vehicle electrical system and these are unlikely to require attention from the owner.

At least one 12 volt socket is provided in your vehicle. For its position, please refer to the Location of Key Facilities chart (page 9-39, 9-40 and 9-41).

The mains hook up cable, provided as standard, is stowed beneath the offside settee.

Retrofit Options

Contact either your local Auto-Sleeper dealer or the Motorhome Service Centre, Willersey for further details.



GENERAL

In order to keep your Auto-Sleeper in first class condition, periodic maintenance will be required to both the bodywork, windows, upholstery and other parts of the conversion. This maintenance should be carried out as follows:

Servicing

Servicing of the conversion is the responsibility of your local franchised Auto-Sleeper dealer to whom all queries should be referred. Your local base vehicle commercial dealer should carry out servicing of the base vehicle.

GLASSFIBRE BODYWORK AND ACRYLIC WINDOWS

General Cleaning

At regular intervals, you should wash the fibreglass bodywork with a recognised cleaner for use on fibreglass gel coats. Should marks remain, use a cleaner with chemical and abrasion agents formulated for use on gel coats.

Discolouration

Fading or discolouration of the gel coat is a natural ageing process caused by ultraviolet light. To overcome this, use a mild abrasive, which removes a thin layer of the discoloured surface. This will restore the bodywork to its original colour and surface lustre. Since discolouration develops gradually, it should not be necessary to carry out this procedure more than every three years. Frequent use of abrasive materials can reduce the thickness of the gel coat, to a potentially harmful extent.

Removing Scratches from Bodywork

Scratches can be removed from both gel and painted surfaces. The method depends upon the depth of the scratch, as care has to be taken to avoid penetrating the paint or gel coat. Very fine, hairline scratches can be removed by rubbing across the line of the scratch with rubbing compound. Slightly deeper scratches should be lightly wet sanded first using very fine (1200 grit or finer) abrasive paper. Rubbing compound will then

remove the flattening marks created by the abrasive paper. For deep gouge type scratches, where the paint or gel may have been penetrated, you should first seek the advice of your supplying Auto-Sleeper dealer.

Removing Scratches from Acrylic Windows

All windows, except the chassis cab and Luton, are manufactured in acrylic. Over time these become scratched and their clarity impaired. An Acrylic Window Polish removes unwanted scratches and blemishes leaving a clear, haze free finish. Minor scratches can be polished out directly.

Cleaning Interior Plastics

Interior plastic parts, such as the shower and wash basin, should only be cleaned with warm soapy water, or non-abrasive cleaners specified as being suitable for use on plastic items.

Recommended Materials

G3 Paste Compound: This is a cutting compound and polish, recommended for use on painted surfaces and GRP. It is ideal for removing the traffic film that builds up on glassfibre coachwork and not only restores it to its former glory, but adds a high level of polish as well.

G10 Extra Fine Grade Liquid: This is again ideal for polishing surfaces and removes swirl marks and very fine scratches. It is less abrasive than G3 yet has the same polish properties and cleans and restores discoloured surfaces. It is ideal for use on dark colours.

Black Top Hand Glaze: This is ideal for use on stains, vinyls, body mouldings and provides a long lasting high gloss finish. It is resistant to car wash and abrasive solvents and is easy to apply. Economical in use, only a small amount is needed to give a very fine finish.

Finishing Cloths: These are very fine grade cloths, woven and thus easily washable that are recommended by Farecia for use with their materials.

The above can be purchased from our Service Centre, Willerly (01386) 853511.



UPHOLSTERY MAINTENANCE

Cleaning

Upholstery should be brushed or vacuumed regularly. Fabrics should be wiped every six to eight weeks with a lint free cloth and fabric cleaning fluid. Velour materials may be dry-cleaned.

Fabric Care

Fabric snags caused by sharp objects such as toys, nails, etc., should be trimmed off immediately. Never attempt to pull them off since this could cause the snag to run.

Whenever possible, avoid exposing the upholstery to direct sunlight which might eventually cause the colour to fade.

Fabrics with a velour type pile finish will develop crush marks in use - this is unavoidable and does not affect the quality of the product in any way.

Stain Removal

A proprietary dry cleaning fluid will remove most household stains. However, stubborn stains, such as coffee, wine or ice-cream may need pre-treatment with a mild soap and distilled water.

Small marks in velour type fabrics can usually be removed by stroking along the pile using a small brush and warm water.

We strongly recommend that before commencing any treatment an inconspicuous piece of material is tested for colourfastness and shrinkage. If in doubt, please contact a professional dry cleaning company. Do not apply cleaning solvents to velour piping, otherwise the flock will be removed.

Work Surfaces

Laminated work surfaces are fitted to the tops of all furniture units. Whilst these are hard wearing, hot pans should not be placed directly on these surfaces, since damage may result.

STAINLESS STEEL COMPONENTS

External

In the event of discolouration of the stainless steel ladder, this should be removed with T-Cut or any other mild abrasive and the surface protected with WD40 or a similar product.

Internal

Do not clean stainless steel fittings, i.e. splash plate and sinks with bleach since this reacts with the stainless steel and may lead to corrosion.

Furniture

Furniture should be cleaned with a proprietary furniture polish periodically. Any watermarks that may occur on the hardwood edging of the furniture units should be removed by use of fine grade wire wool and furniture wax.

Heavy stains may need to be sanded out and the edging re-polished with a proprietary varnish (Ronseal etc.). The high gloss finish is achieved by using wire wool and wax.

GAS INSTALLATION

All gas vents and flue pipes should be periodically checked for damage and should be kept free from dirt.

Blocking of vents or flues is extremely hazardous and should be avoided at all times.

Gas Appliance Igniters

It is advisable, periodically, to check visually the igniters on hobs, grills and ovens are sparking correctly.

Annual Inspection

The gas installations should be inspected annually by qualified personnel. If in doubt contact your supplying Auto-Sleeper dealer. Modifications to the gas systems should not take place unless carried out by qualified technicians.



SEAT RESTRAINTS

WARNING: In the event of any impact of 25 mph or over in which seat belts have been worn, they must be replaced before the vehicle is used again.

WATER SYSTEM

Fresh Water Tank

At regular intervals, and at least every three months, the fresh water system should be flushed through with fresh water. Furthermore it is advisable that prior to using your Auto-Sleeper, the fresh water system is thoroughly flushed with fresh water.

Waste Water Tank

Since the waste water tank can hold foreign matter, it should be regularly flushed with fresh water. To prevent odours working back through the shower and sink outlets, flush the waste tank through with a small amount of mild disinfectant.

Depending on the use of the waste tank, it is possible that this will collect solid waste matter, which in some instances may build up and block the waste tank outlet tap. In this case it will be necessary to drop the tank for cleaning. Access is through a large diameter fitting in the tank top. Once removed this will allow the tank to be flushed out in an inverted position and all solids removed.

WINTERISATION

General

This section contains information on the winterisation of your Auto-Sleeper, particularly when you may wish to lay up your vehicle for the winter months.

Water System

The water system should be fully emptied, by opening the drain valve located adjacent to the water heater (see heater section for more details), and the drain taps on both the fresh water tank and waste water tank left in the open position. Likewise, all internal taps should be left open and the water pump run until the last traces of water have come out of the taps. Take the vehicle for a short drive, with all the drain taps open, in order to remove the last drops of water from the tanks and water system. Remove all sink plugs to allow the water system to breathe.

Flush fully the waste water tank to remove any excess debris and waste material. Flush through again with disinfectant as part of the final drain. Leave drain tap open.

Upholstery

We advise that any detachable upholstery is removed and taken indoors during prolonged winter storage, particularly detachable upper bed mattresses and scatter cushions.

Curtains/Blinds

To prevent uneven bleaching, and possible excess sunlight onto the furniture and fabrics, we recommend that either the curtains or blinds are left drawn.

Refrigerator

Leave the refrigerator door open, on its intermediate lock position; this will allow the refrigerator to breathe and prevent any unpleasant odours in the storage department.

Ventilation

There is fixed upper and lower ventilation in your Auto-Sleeper which is built-in in the interests of safety. There is therefore no



need to leave any windows or roof ventilators ajar - indeed the roof ventilators have sufficient fixed ventilation to allow the interior of the vehicle to breathe satisfactorily.

Exterior

Fit, where appropriate, the Electrolux winter covers to the fridge ventilators. Give your Auto-Sleeper a good wash and polish before laying up, and apply a small film of protective oil to the stainless steel roof rack, ladder and any other external polished metal components.

Electrical

Turn the electrical system off at the control panel.

Peugeot recommend that if the vehicle is to be parked up for a period of more than one month then it is advisable to disconnect the main vehicle battery. For full instructions on the correct procedure refer to the Peugeot handbook supplied with the vehicle and look for the section covering the battery. If this advice is followed, bear in mind that the remote central locking will not function, although it will still be possible to unlock and lock the doors manually using the key.

To maintain the vehicle battery in good condition it is recommended that it is fully charged prior to storage and then recharged every 3 months.

Windows

Open all windows fully. Check all window seals are intact and shut firmly. Ensure locks and over centre catches are applied as appropriate.

Automotive

Follow the advice laid down by the base vehicle manufacturer. In particular,

- Secure the vehicle using chocks. Release the handbrake to prevent the brake linings from seizing on.
- **Increase the tyre pressure (by approximately 2 bar above the standard pressure) to prevent the tyres from becoming flat.**

WARNING: Do not exceed the maximum pressure noted on the sidewall of the tyre.

Alternatively, jack up the vehicle to relieve the load on the tyres.

- Cover the tyres to protect from sunlight, as they will deteriorate rapidly in ultra-violet light. A light proof cover will help to prevent cracking of sidewalls and premature ageing.
- Check coolant for antifreeze protection, correct as required.
- Check windscreen and headlamp cleaning systems for antifreeze protection, correct as required.



TROUBLESHOOTING

The following are a series of fault finding charts to which you should refer in the event of problems you may have regarding 230/12V, LPG and water. This should be used as a guide only, and in the case of an electrical fault, where a fuse has blown or an MCB tripped out, the fault must be located before replacing the fuse. If a fault is suspected with the LPG system, consult a GAS SAFE registered technician.

If in doubt consult a qualified technician or your local Auto-Sleeper dealer.

12V TROUBLESHOOTING CHART

Symptom	Cause	Remedy
Habitation 12V does not operate	Main 20A fuse blown	Check/Replace
	Battery Discharged	Recharge
	Switch on control panel in off position	Switch to on
	Vehicle ignition 'on'	Switch 'off' ignition
Habitation battery not charging	Main 20A fuse blown	Check/Replace
	Relay fault	Refer to dealer
	Contacts dirty/loose on battery terminals	Clean and check for tightness
	Poor earthing	Check earthing to chassis point
Battery does not hold its charge	Failed battery	Check cells with hydrometer change electrolyte if necessary
	Current being drawn	Check all appliances are off when not in use
Battery discharges over a short time with appliances operating	Poor battery cell condition	Check cells with hydrometer
	Failed battery	Change battery
	Battery not fully charged	Fully recharge battery
No power to one or more 12V appliances	Circuit fuse blown	Find fault and replace fuse with same rating
Lights dull/only one tube illuminating	Low battery charge	Check battery
	Faulty light unit/tube	Replace/Check
Water pump not operating	Switch on panel 'off'	Switch it 'on'
	Pressure switch on pump not operating	Refer to dealer
	Fuse 4 blown	Find fault and replace fuse with same rating
No power on 12V socket outlet	Fuse 9 blown	Find fault and replace fuse with same rating
	12V plug incorrectly connected/wired	Check plug

**12V TROUBLESHOOTING CHART (continued)**

Symptom	Cause	Remedy
Water Heater not operating/cuts out	Fuse 11 blown	Find fault and replace fuse with same rating
	Low battery charge	Recharge battery
	Unit fault	Refer to dealer
Cooker ignition not operating	Fuse 11 blown	Find fault and replace fuse with same rating
	Spark unit fault	Refer to dealer
	Fault on cooker unit	Refer to dealer
Fridge gas ignition not operating	Fuse 11 blown	Find fault and replace fuse with same rating
	Ignition control switch fault	Refer to dealer
Fridge ignition switch flashes but gas does not ignite	Fault on fridge unit	Refer to dealer
Ignition can be heard to be sparking but no flashing on fridge switch	Faulty fridge ignition switch	Refer to dealer
Fridge does not operate on 12V when engine is running	Fuse 3 blown	Find fault and replace fuse with same rating
	Fuse 7 in EM50 interface box blown	Find fault and replace fuse with same rating
	Fault on fridge relay	Refer to dealer
	Fault on fridge unit	Refer to dealer

230V TROUBLESHOOTING CHART

Symptom	Cause	Remedy
230V system inoperative	No site power	Check site supply
	RCD/MCB switches tripped out	Reset circuit breakers
RCD/MCB keeps tripping out	Fault on 230V supply	Check supply including polarity
	Faulty appliance	Turn off all appliances, reset circuit breakers, turn on appliances until fault occurs. Isolate faulty appliance
	Overload on current consumption by appliance	10A maximum available do not use appliance
Water heater does not operate on 230V	No power	Switch on isolator switch/ check MCB is on
	Overtemperature trip activated	Reset thermal cut-out (refer to operating instructions)
Battery charger does not operate	Charger switched off	Switch on at control box/ check MCB is on
Refrigerator does not operate on 230V	Switch on refrigerator thermostat dial not 'on'	Check position of thermostat dial
	Element fault	Refer to dealer
Cooker Hotplate not heating up	No power	Check MCB is on

**LPG TROUBLESHOOTING CHART**

Symptom	Cause	Remedy
Appliance will not light	No gas	Change the cylinder Check cylinder is turned on Check isolation valve is open
	Low battery (auto ignition)	Charge battery
Appliance lights but goes out immediately the FSD override is released	Flame supervision device (FSD) is not functioning correctly	Refer to dealer
Odour	Gas leak	Turn off the gas at the cylinder and do not use the gas system until the problem has been rectified
		In the event of a leaking cylinder, if possible, position the cylinder in an open area away from any sources of ignition. Contact the site warden and/or the local gas supplier
Yellow flame	Lack of primary air. please note yellow tipping to the flame is normal	Refer to dealer
Orange flame	Particles of dust or dirt in the mixing tube being carried through the burner ports	Reduce the amount of dust in air
	Burner ports partially blocked	Refer to dealer
Floating flame	Lack of secondary air	Check all vents are clear (air inlet to vehicle)
	Blocked retention ports	Check retention ports are clear
	If in an oven	Check the flue way is clear



WATER TROUBLESHOOTING CHART

Note: For more help with water pump issues, please refer to page 7-3 of this handbook.

Symptom	Cause	Remedy
Continuous running of water pump	1. No water	1. Fill tank
	2. Major leak	2. Switch off immediately and check system
Intermittent operation of water pump	Minor leak in water system	Check push fit joints
	Water pump pressure release valve reasserting itself	No action - part of pump design
Water pump does not operate	Fuse 4 blown	Find fault and replace fuse with same rating
Water gauge does not operate	Probe fault	Refer to dealer (check probe connections)
No hot water (mains system)	Water heater tripped	Check and press re-set button
No hot water (gas system)	Gas module not lighting	Refer to dealer
	Igniter not working	Check 12V switched on
Slow drainage from sink/shower tray	Blocked breathers in waste tank	Drop tank and clear breathers
Tip-up handbasin slow to drain	Blocked drain hole	Remove basin and clear
Unsatisfactory operation of water pump	Filter blocked	Clean filter



DATA RECORD

We suggest that you record key details in the spaces below should you accidentally mislay your keys or other vital documentation.

Vehicle Type

Vehicle Model

Auto-Sleepers Production Number

Keys

Ignition Key

Door Key (if applicable)

Fuel Filler (if applicable)

Water Filler

Gas Compartment Key

Toilet Compartment Key

Alarm Code (if fitted)

AA/RAC/etc. Membership Number

Radio Security Code

Supplying Dealer Contact Number



AUTO-SLEEPER DEALERS

To find your nearest Auto-Sleepers dealer please go to www.auto-sleepers.co.uk and click on 'Find a Dealer'.



RECOMMENDED ANNUAL SERVICE CHECK FOR MOTOR CARAVAN BODIES AND CONVERSIONS

It is recommended that the annual service is carried out by an approved motorhome service centre.

Introduction

This entire section offers guidelines for the checking of a motorhome's habitation area and to ensure continual compliance with EN1646-1.

It does not cover any part of the base vehicle, although there may be minor overlapping (such as tyre pressures, cab seats, internal lights, battery and windows) in a van conversion. The base vehicle must be serviced in accordance with the chassis manufacturer's instructions.

Reference should also be made to:

- Any owner's manual or equivalent supplied with the vehicle by the motorhome converter.
- Appliance manufacturer's instructions.
- Driver's handbook or equivalent supplied by the chassis manufacturer.
- A vehicle is accepted for service at the dealer's discretion.
- Any defects, repairs, adjustments, cleaning or lubrication required will be noted on the checklist. The customer's approval will be obtained before any work is done.

Not all of the equipment mentioned in this manual is fitted as standard to every motorhome.

This guide is published as an aide memoir for dealers. Any work carried out following the check, and the sufficiency of the work in the check itself, is subject to the contract between the customer and the dealer.

SECTION 1 - BODY MOUNTING

Body to Chassis

Examine all fixings retaining the body to the chassis - this may be direct or through a sub-frame. Where practical, all fittings should be checked to ensure they are all present and correctly secured.

Body to Cab

Examine joint between body and cab for signs of movement and soundness of sealing media.

Body Retention (dismountables)

Check serviceability and tightness of body retaining gear.

Check serviceability of body support struts and mountings. (Note: whether it will be necessary to demount the body to check the body supports must be agreed between dealer and customer).

SECTION 2 - WINDOWS

Windows

Check window glazing rubber or sealing for cracks and general condition. Check for satisfactory operation and closing.

Check fixing of top hinge rail on top hung windows.

Check for good weather seal when window is closed and latched.

Check catches and stays for satisfactory operation.

SECTION 3 - DOORS

EXTERNAL DOORS

Not including base vehicle doors.

Security:

- Check that hinges and catches are satisfactory and that, when latched, doors are held securely shut.
- Check that the keys or internal latches lock the doors correctly.
- Check that any device fitted to hold a door in the open position is satisfactory.



Sealing:

- Check all door seals for cracking and general condition.
- Check correct closing to give a weather-tight seal.

Childproof Lock:

- Where a door is fitted with a childproof lock check that an appropriate warning notice is fixed adjacent to the door. Appropriate warning notices are available from motorhome manufacturers.

INTERNAL DOORS

Security:

- Check that hinges and catches are satisfactory and that, when latched, the door is held securely shut.

Safety:

- Check that any device fitted to hold a door in the closed position can be operated from both sides to open the door in an emergency.

SECTION 4 - ATTACHMENTS TO CHASSIS OR UNDERBODY

Corner Steadies

Check that attachments to chassis are secure.

Ensure steadies work freely and satisfactorily.

Lubricate screw to ensure correct operation.

Folding/Retractable Steps

Check that step pivots are satisfactory and not worn. Check that, when closed, the retaining mechanism holds the step securely. If fitted, check device is working.

Underfloor Water Tank Mountings

Check mounting frames are secure to body. Any fastenings that require releasing to remove the tank should be free of rust and operate freely. (Removal, flushing, cleaning and replacing of tanks will be carried out at the prior request of the customer or will be done subsequently with other work).

Spare Wheel

Remove spare wheel. Check for damage. Check tyre pressure.

Check mounting frame for security to body and for secure retention of spare wheel.

Wheel Boxes

Check for damage, corrosion, water seepage, signs of tyre scrubbing.

SECTION 5 - ATTACHMENTS TO BODY EXTERIOR

Roof Lights

Check security, general condition, and that sealing has not deteriorated.

Roof Racks and Ladders

Check security to body and general condition.

Check roof for damage adjacent to rack.

Mouldings, Trims

Check security. Check sealing has not deteriorated.

Flue Terminals, Air Vents

Check security. Check sealing has not deteriorated.

Check that these are not blocked.

SECTION 6 - INTERNAL

Body Seepage Check

Examine for moisture/water staining of areas under windows, at side of roof and at corners, which could indicate water seepage problems. A moisture meter should be used where appropriate.

Furniture

Check furniture is securely fixed.

Check door hinges, catches and stays for satisfactory operation.

Dinette Seats/Beds

Check seat bases for security of fixings and for damage.

Make up beds according to manufacturer's instructions and check for rigidity and safety.



Upper Bunks

Check there is a secure means of access to upper bunks and that, where applicable, protection against falling out and entrapment is provided.

Curtains/Blinds/Nets

Check track is secure and curtains draw freely without snagging.

Check blinds and/or nets for correct operation.

Check flyscreens in roof lights and air vents.

Cab Seats

Where cab seats form part of the living area and/or bed layout they should be checked for security of attachment, smooth and easy operation of seat slides, swivels and seat back operation.

Fire Extinguisher

Check condition and expiry date. If an extinguisher is not fitted, inform the customer of the advisability of such equipment

Fire Blanket

Check position (should be near cooker).

If one is not present, inform the customer of the advisability of such equipment.

Advice to Occupiers/Warning Notice

Check presence and condition and advise customers accordingly.

The wording and layout of the notice should be set out as follows:

ADVICE TO USERS

VENTILATION

Do not obstruct the ventilators which are fitted; your safety depends on them.

IN CASE OF FIRE

1. Get everyone out.
2. Turn off outside gas valve and/or oil valve (if fitted).
3. Disconnect the mains electricity supply.
4. Raise the alarm and call the fire brigade.
5. Tackle fire if safe to do so.

FIRE PRECAUTIONS

Children: Do not leave them alone.

Means of Escape: Make sure you know the location and operation of the emergency exits, keep all escape routes clear.

Combustible Materials: Keep them clear of all heating and cooking appliances.

Fire Fighting: Provide, at least, a 1kg power fire extinguisher, that complies with BS5423 by the main exit door, and a fire blanket next to the cooker. Make yourself familiar with the instructions on your fire extinguisher and the fire precaution arrangements on the caravan park.

Portable or Open Flame Heating Equipment

Check for its presence. The customer must be advised against its use.



SECTION 7 - ELEVATING ROOFS

Lifting Mechanism

Gas struts or spring struts should be checked for corrosion (particularly on the piston rods of gas struts), smooth operation when operating roof up and down and to ensure that they support the roof when fully up.

Check attachment points of struts to body and roof.

Canvas Side Walls

Check for satisfactory attachment to body and roof.

Check for splits or holes, particularly at fold lines.

Check that the canvas stows satisfactorily when roof is lowered. (A waterproofing check will be done at the request of the customer).

Solid Side Wall

Check sides and end panels fold up and down correctly, that they seal against each other where appropriate and that retaining mechanisms are satisfactory.

Check all hinges for security and freedom from strain.

Locking of Roof

It is important to ensure that, when the roof is in the travelling position, it is safely and positively locked down. Any locking retaining mechanism should be carefully examined.

SECTION 8 - GAS SYSTEMS

Cylinders, Regulators and Feed Hoses

Establish that the cylinder and feed hose is compatible.

Since the introduction of BS EN1949 the gas pressures for Butane (blue) cylinders and propane (red) cylinders have been harmonised across Europe. The gas system pressure is now 30mbar for both gases.

The gas regulator is now fitted as standard equipment by Auto-Sleepers. Your supplying dealer will need to supply you with the correct hose compatible with the cylinder to be fitted.

Check cylinder compartment vents and gas drop hole in floor are free from obstruction.

Check seals on internal doors.

Hose and Piping

Check any flexible hose is of an approved type. Check its condition and any evidence of cracking.

The maximum permissible hose length is 400mm, longer hoses should not be used. The hose length is the length of the flexible portion of the hose assembly. Do not use external cylinders and or extension hoses.

Check piping for condition, damage and correct support.

Carry out an overall leak test.

Appliances

In general, the checking of gas appliances can be divided into the following:

1. Cleaning.
2. Operation of controls.
3. Correct flame structure.
4. Flues.
5. Flame failure device.
6. Security.

Cleaning

- Where appropriate, remove cover(s) to gain access to heat exchanger. Clean away any fluff or foreign matter. Reassemble and test. Clean flame viewing window.



Controls

- Check that all knobs etc. work smoothly and are secure on their spindles. If gas taps require greasing to ease stiffness, use only approved LPG grease. Check that appliances can be brought into service using the normal controls.

Correct Flame Structure

- Check that all pilot flames burn quietly and clearly.

Refrigerator: With the refrigerator gas control turned to maximum, the colour of the flame should be predominantly blue.

Instantaneous Water Heating: The main burner flame should be of even height and blue in colour. A flame burning yellow will allow sooting to occur.

Ovens: The oven flame should burn quietly and be of even height, mainly blue/green in colour. If the gas is propane, the flame will normally develop yellow tips as the burner heats up. If the gas is butane, a small amount of yellow tipping will be seen immediately after lighting, increasing as the burner heats up.

Grill Burners: It is normal for the flames on this type of burner to develop yellow tips as it heats up, particularly on butane.

General: A flame lifting away from the burners is an indication of too high a pressure, although it may happen with grill burners whilst the frets are heating up. A yellow flame will cause sooting and is an indication of too low a pressure. Providing the regulator and piping have been checked and found satisfactory, the above faults should not appear.

Flues:

- Flues should be examined for security of fixing and for correct attachment to appliances and flue terminals. They should be free from damage and corrosion. Check for leakage of flue gases into the vehicle.

Flame Failure Device (FFD):

- Where fitted, FFD should be checked to

ensure satisfactory operation. After the appliance has been successfully checked, allow time for the thermocouple to cool. Attempt to relight the appliance by turning it on without pushing in the gas control knob. (Do not override the FFD). If appliance does not light, FFD is satisfactory.

Security:

- Check appliance is securely fixed to the vehicle/furniture and will be free from rattles. Where applicable, check that water pipes are satisfactorily attached with no sign of leakage.

Protection of adjacent surfaces:

- Check that surfaces adjacent to open flame cooking appliance have adequate protection.

Inspections:

- It is recommended that inspections are carried out by a qualified fitter trained to GAS SAFE standards.

SECTION 9 - WATER SYSTEM

Before operating the water system, a visual check of the following items may show up an obvious leak source...

Fresh Water Tank/Container

Check condition, fill tank and check for leaks. Check the external filler and filler pipe to tank. Check for satisfactory venting. Check condition and presence of filler cap.

Waste Water Tank

Check drain tap is clear and working. Check condition and presence of drain hose. (The water tank will be drained, flushed, cleaned and charged with a measure of toilet fluid/disinfectant at the prior request of the customer).

Pump Filter

When applicable, remove filter and replace. Check the in-line pump for security and condition. Remove the submersible pump from tank, check condition.



Check pump inlet and outlet are clear and not obstructed.

Check delivery hose and electric cable are secure and satisfactory.

System Check

Operate pump. Check all piping for leaks.

Operate taps and shower. If a hot water system is fitted, it can be checked for leaks etc., using cold water. (Note: Aerated water from tap could be due to a leak on the suction side of the pump).

Waste Water System

With water running through the drain pipes, check for leaks and satisfactory draining of water from sinks etc.

Couplings and Fluids

Check that the appropriate markings are used - blue for fresh water, grey for waste water. Ensure a sealing off cover is supplied for each coupling.

Check that filler positions are designated "petrol", "diesel" or "water" as appropriate.

Toilet Waste Tank

Check that any fixed tank intended to receive discharge from a toilet is fitted with either a level or full indicator.

SECTION 10 - ELECTRICAL SYSTEMS

Extra Low Voltage 12 Volts (excluding vehicle)

Battery/ies:

- Check battery/ies for condition.
- Check connections, wires, fuses and relays appertaining to the habitation electrics.

Wiring:

- Examine all visible wiring.
- Check all connections and joints are sound and satisfactory.

Fuses/Fuse Holders:

- Ensure that fuses and fuse holders used to protect the habitation electrics are satisfactory and that fuse ratings are compatible with the circuit appliances being protected.

Appliances:

- Inspect all appliances for damage, signs of overheating and secure fixing. Function test all appliances.

Mains 230 Volt System

It is recommended that the inspection and certification of the 230 volt system be carried out by a qualified electrician who is an approved contractor of the NICEIC (National Inspection Council for Electrical Installation Contracting) or a member of the Electrical Contractors Association.



AUTO-SLEEPERS SERVICE CENTRE ANNUAL HABITATION CHECK

Introduction

It is recommended that every 12 months the habitation side of your motorhome is inspected by qualified technicians. Attached to this brief, is a list of all the points that are checked.

A few customers are of the belief that this check includes rectification of faults. It is stressed that this is not the case, the annual service is a check only of the habitation aspect of the motorhome.

If faults are found, the technician will advise you, the customer, of the fault and the recommended course of action to resolve this.

Servicing is not included in this check.

All facilities are run and tested through their operational envelope. For example, the flame propagation on the refrigerator and other main gas appliances (where visible) is checked. If the flame is burning a wrong colour or burning too far from the jet, we again advise you, the customer, as to how this should be rectified.

We also recommend and are only too happy to arrange for the refrigerator of your Auto-Sleeper to be checked here at the Service Centre by a qualified Dometic engineer. In this instance we call upon Leisure Appliances and Repairs of Hereford who come, by appointment, to carry out the necessary work.

The only component that is changed during the course of the annual check is the flexible gas hose, the hose that leads from the bulkhead fitting in the gas compartment to the gas regulator.

A further aspect of the test is a gas pressure test.

You will see also that we check that key components are serviceable (fire extinguishers etc) and furthermore that where appropriate, items are lubricated and checked for serviceability.



**MOTOR CARAVAN ANNUAL HABITATION SERVICE CHECK
CHECK SHEET** **CUSTOMER COPY**

Vehicle Reg. Mark
Make & Model
Year of Manufacture
Recorded Mileage

A Class
Coachbuilt
High top conversion
Elevating Roof
Dismountable

CHECK ITEM	Manual	OK	Remarks - Advice to Customers
------------	--------	----	-------------------------------

SECTION 1: BODY MOUNTING			
BODY TO CHASSIS			
BODY TO CAB			
BODY RETENTION			
SECTION 2: WINDOWS			
WINDOWS			
SECTION 3: DOORS			
EXTERNAL			
INTERNAL			
SECTION 4: CHASSIS			
CORNER STEADIES			
FOLDING STEP			
WATER TANK MOUNTS			
SPARE WHEEL			
WHEEL BOXES			
SECTION 5: BODY EXTERIOR			
ROOF LIGHTS			
ROOF RACK AND LADDER			
MOULDINGS AND TRIM			
FLUE TERMINALS, AIR VENTS			
SECTION 6: INTERNAL			
SEEPAGE CHECK			
FURNITURE			
DINETTE SEATS/BEDS			
CURTAINS, BLINDS, NETS			
CAB SEATS			
FIRE EXTINGUISHER			
FIRE BLANKET			
WARNING NOTICE			
HEATING EQUIPMENT			



CHECK ITEM	Manual	OK	Remarks - Advice to Customers
SECTION 7: LIFT UP ROOFS			
LIFTING MECHANISM			
CANVAS SIDE WALLS			
SOLID SIDE WALLS			
LOCKING			
SECTION 8: GAS SYSTEM			
CYLINDERS & REGULATOR			
HOSE & PIPING			
APPLIANCES			
SECTION 9: WATER SYSTEM			
FRESH WATER TANK			
WASTE WATER TANK			
FILTER PUMP			
SYSTEM CHECK			
WASTE WATER SYSTEM			
COUPLINGS & FLUIDS			
SECTION 10: ELECTRICS			
12 VOLT SYSTEM			
BATTERIES			
WIRING			
FUSES, FUSE HOLDERS			
APPLIANCES			
MAINS 230 VOLT SYSTEM			
SECTION 11: VENTILATION			
HIGH LEVEL			
LOW LEVEL			

DEALER:	SIGNED: DATE:
---------	----------------------

**A**

Annual Service Checks	12-1
Awnings	6-1

B

Bed Assembly	9-44, 9-45, 9-48
Bed assembly	9-52
Blinds	9-9

C

Cleaning	
General	10-1
Stainless Steel	10-2
Upholstery	10-2
Codes of Conduct	2-1
Cooker	9-1
Cycle Rack	4-1

D

Data Record	11-1
Dealer Addresses	11-2

E

Electricity	7-9
Instructions for Electricity Supply	7-9
Overseas Connection	7-10
Power Control System	7-12
Electronic Control System	9-60
Equipment Arrangement	9-35, 9-36, 9-37, 9-59

G

Gas	7-4
Connection	7-8
Gas Bottles	7-4
Gas Safety Advice	7-5, 7-8
Gas System	7-4
Grill	9-4

I

Internal Layout	9-34
-----------------------	------

L

Levelling	5-1
Loading of Weight	3-1
Location of Facilities	9-39

M

Microwave	9-1
-----------------	-----

O

Oven	9-4
------------	-----

R

Refrigerator	9-18
Roof Rack Bars & Ladder	3-1

S

Safety	6-1
Air Bags	6-2
Awnings	6-1
Children	6-1
Fire Extinguishers	6-1
In case of fire	6-1
Ventilation	6-1
Seat Swivel	4-2
Seating Arrangement	9-43, 9-47
Seating assembly	9-51
Site Regulations	5-1
Siting your Motorhome	5-1
Sleeping Arrangement	9-42
Smoke Alarm	6-3
Step, Electric	9-33

T

Technical Data	8-1
Television & Aerial	9-9
Toilet	
C200 CWE	9-24
C402	9-28
Troubleshooting Chart	10-5

V

Ventilation	6-1, 7-6
-------------------	----------

W

Warranty	1-3
Water System	7-1
Weight & Dimension Data	8-3, 8-4
Weights	8-1
Wheel Changing	4-1
Wheel, spare	4-1
Winterisation	10-3
Wiring Diagram	
12V/230V	7-46

