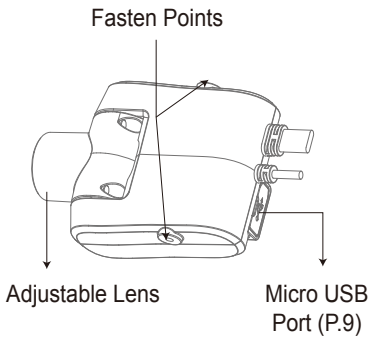
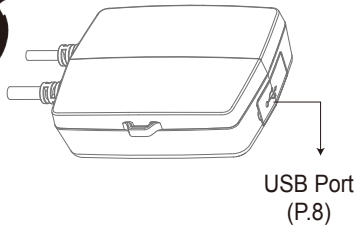




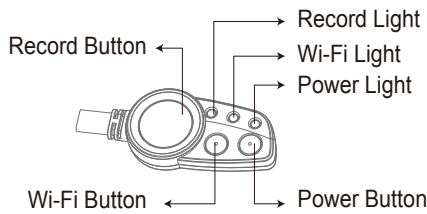
1 Main Device



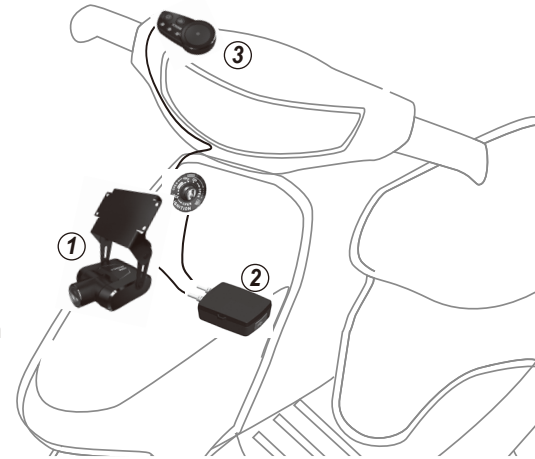
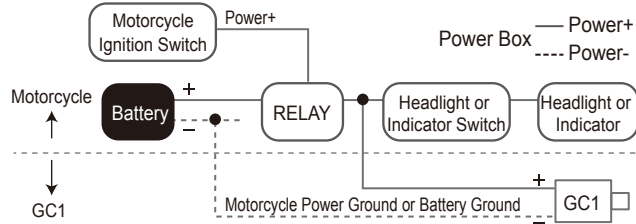
2 Power Box



3 Control Panel

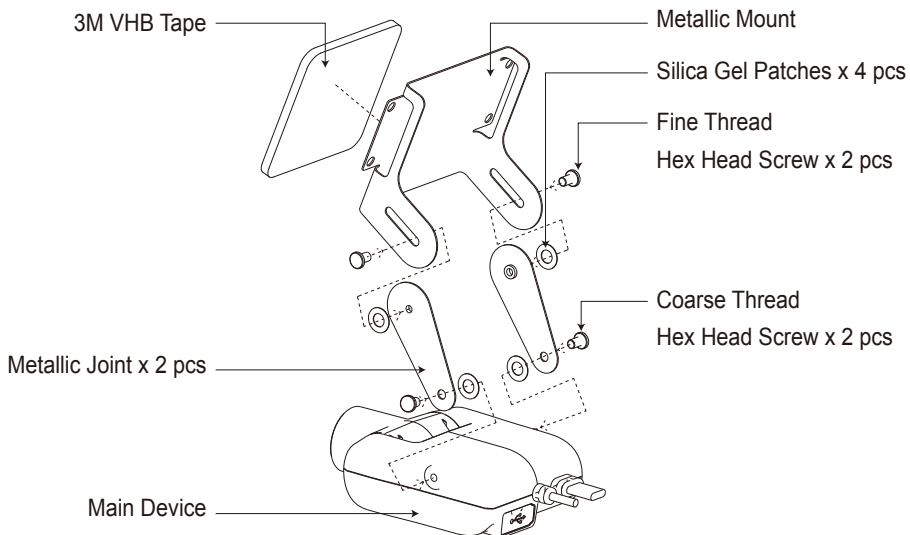


Wiring Diagram



Installation Diagram

1. Place the 3M VHB tape onto the Metallic mount.
2. Stick the silica gel patches between the mount and the joints, then screw in the screws.
3. Stick the silica gel patches between the main device and the joints, then screw in the screws.
4. Make sure to clean the surface of where you want to install the mount to, and rip off the other side of the 3M tape and stick it to the said surface, and press for at least 5 seconds when applying the mount.
5. Adjust the main device and the joint to desired positions, then screw down the screws tight.
6. If the surface you are installing to is curved, please bend the mount to fit the surface.



MOTO CAM User Manual



Operating Instructions

1. Button Descriptions
 - i Power button: Press once to turn power on/off, Hold down 5 seconds for forced shutdown
 - ii Wi-Fi button: Press once to turn Wi-Fi on/off, Hold down 10 seconds for restoring to factory settings
 - iii Record button: Press once to lock the current video file (only works while recording), Hold down for 3 seconds to start/end recording.
2. When the ignition switch is turned to [ACC], the device is booted up, and will enter recording mode in about 5 seconds.
3. When the ignition switch is turned to [OFF], the current recording file is automatically saved and the device will proceed to shut down.
4. Wi-Fi is off by default, start-up time requires 15 seconds.
5. When Wi-Fi is enabled, the APP can be used to connect to the device to download, view, edit the files and give access to camera settings.
6. "The Foxeye Wi-Fi APP supports both the iOS and the Android systems.

The microphone operation instruction is as followed:

1. The microphone is defaulted as on every time the device is booted up.
2. During recording mode
 - A. Stop recording, short press the power button once, the power light will blink twice, start recording, the sound will be muted.
 - B. Stop recording, short press the power button once, the power light will blink once, start recording, the sound will be unmuted.
3. During Wi-Fi mode
 - A. Short press the power button once, the power light will blink twice, the sound will be muted.
 - B. Short press the power button once, the power light will blink once, the sound will be unmuted.

Light Indicators

1. Red light:
Recording when lit, Stops recording when extinguished.
2. Blue light:
Wi-Fi on when lit, Wi-Fi off when extinguished.
3. Green light:
Device on when lit, off when extinguished.

Precautions

1. The time stamp function is disabled when Wi-Fi is on.
2. This device has loop recording and file lock down functions, locked files cannot be overwritten unless using connection via an external device such as a mobile phone.
3. This device has IPX6 waterproof ratings, but is not designed to submerge underwater.
4. Do not disassemble the device; all warranty will be invalid if the device has been disassembled.
5. If installed on the negative terminal of the vehicle, be sure that the said terminal is connected to the battery's negative terminal.
6. The red wire is positive electricity, it must be connect to a positive electricity controlled by the ignition switch, which means when the ignition switch is turned to "ACC", the white light on the control panel will also be lit, and will enter recording mode.
7. After all the wires are fixed in position, be sure the steering of the handlebars will not implicate the wires.
8. The USB port of the power box can supply a 5V/2A power output to provide charging for phones or tablets, please be aware that when the rubber cap is off, the device cannot sustain any water, and please leave the cap on when not using the USB port. When installing the power box, place face the opening of the USB port downwards and be careful of any water that may get in.
9. You can use Micro USB to connect the device to a computer and use as an external storage device, but please be aware that when the rubber cap is off, the device cannot sustain any water, and please leave the cap on when not using the USB port.

Establishing Wi-Fi Connection

1. Mobile APP Installation
 - i iPhone: Search for "Action Cam HD" on the Apple's App store.
 - ii Android 5: Search for "Action Cam HD" on Google play.
 - iii Android 4: Download "Action Cam HD" Android 4 app as <http://www.foxeye-cam.com/doc/809FhP.apk>
2. Wait for the device to boot up and enter recording mode.
3. Press the Wi-Fi button on the control panel, the recording will be interrupted shortly, and when the Wi-Fi indicator light is lit, the recording will resume.
4. Find "GC1_XXXXXX" in the Wi-Fi listings on your mobile device, enter the default password "00000000", and select to connect.
5. Boot up the Foxeye Wi-Fi App, and proceed to use the app.

Formating Internal Memory

1. After the devices has booted, please turn off Wi-Fi and the recording function.
2. Press and hold both the Wi-Fi and recording button for about 10 seconds, the blue and red light will start to cross blinking to indicate the formatting process has started.
3. All lights will extinguish to indicate the formatting has been successful.
4. Formatting will wipe out all files in the memory including the locked files, please back up all the files you wish to keep before commencing to format.

System Reset

Press power button 20 seconds to reset the system if control panel LED lights are unstable (recording red light can't turn on or off / power green light can't turn on...etc)

Restore to Factory Settings

1. Make sure the device is not recording and the Wi-Fi is off.
2. Hold down the WI-FI button on the control panel for 10 seconds, the device will automatically reboot and is restored to factory settings.