



# GRANDIO

G R E E N H O U S E S

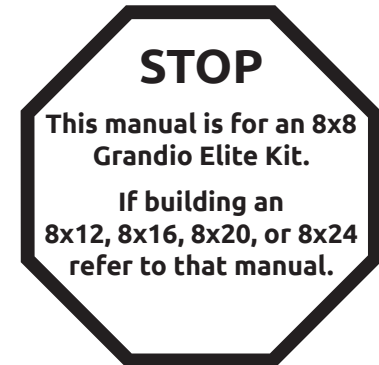
2015 GRANDIO ELITE 8x8 KIT MANUAL  
INCLUDES INSTRUCTIONS FOR BACK DOOR TRANSFORMATION



Grandio Elite 8x8 Shown In Image

## GREENHOUSE USER MANUAL

© 2013 Grandio Greenhouses, Backyard Living Source Inc. All rights reserved  
2015 Manual Edition Extendable Greenhouses





Dear Valued Customer,

We would like to congratulate you on your new Grandio Greenhouse purchase. We are confident that you have made the right decision in choosing Grandio. Our greenhouses are made with high quality aluminium and polycarbonate and will last for many garden seasons to come.

Please take the time to carefully read this instruction manual for an easier and more enjoyable assembly experience.

Cheers!

Grandio Greenhouses

Save this owner's manual for future reference and if you need our help.

**CONTACT OUR CUSTOMER SERVICE**

**DEPARTMENT at:  
1-866-448-8231**

Hours: 8:30a.m.-5:00p.m. Monday through  
Friday (Mountain Standard Time)

**Backyard Living Source  
9543 W. Emerald St., Suite 101  
Boise, ID 83704**

**[www.grandiogreenhouses.com](http://www.grandiogreenhouses.com)**

**IMPORTANT! PLEASE READ BEFORE BEGINNING ASSEMBLY**

**Before you begin take time to complete this check list.**

- Take inventory of all parts using the parts list at the back of this manual. Instruction for the Back Door Transformation kit are noted in this manual.
- Be cautious where you place the polycarbonate panels as they will burn grass or plants if left on top of them in direct sunlight. Note that clear film side of panels should always face the sun and opal film side faces inside greenhouse. Panels may scratch easily so be very careful what you clean them with.
- Plan out when and where you are going to place the greenhouse, we recommend that you place it in an area that will receive direct sunlight and will be protected from the wind as much as possible
- It will take at least (2) people to put the greenhouse together.
- Before your build, make sure you are allowed to build it! Consult all building codes, as well as City or Municipality ordinances and HOA's, as you may need a permit or documentation before you build.
- Contact your insurance company to make sure your Grandio Greenhouse will be covered on your policy.
- Call your local utilities companies before digging.
- Do not attempt to begin construction on a windy day.
- Your greenhouse should be built on a flat level surface allowing for drainage.
- Read this entire manual to get familiar with all pieces and parts prior to beginning assembly. Follow the steps outlined in the order presented!



## IMPORTANT! SAFETY INSTRUCTIONS



### FAILURE TO FOLLOW THESE WARNINGS MAY RESULT IN SERIOUS INJURY OR PROPERTY DAMAGE AND WILL VOID WARRANTY.

To ensure safety, do not attempt to assemble this product without following the instructions carefully. Check entire box and inside all packing material for parts and/or additional instruction materials. **Before beginning assembly, read the instructions and identify all parts using the hardware identifier and parts list on pages 46-50. Complete assembly and proper usage are essential to reduce the risk of accident or injury when using your Grandio Greenhouse.**

**CAUTION: Do not leave polycarbonate panels laying on grass or leave in the sun or extreme heat, keep in a cool dry place until they are to be installed!!** (May cause burning to plants or grass if left directly on top of them, also may damage panels due to the protective film adhering to panels.) Panels may scratch easily. **Do Not** use solvent cleaners.

- Each of the polycarbonate panels have a clear film side that should always face the sun, and a white film side which faces inside. The clear side has a UV coating and we recommend marking a small "x" on a corner of each panel to determine which side has the UV Coating as you cannot visually determine with your eye in the case of future disassembly.
- Due to shipping, the grooves of some of the aluminum profiles may be too small to insert into the polycarbonate sheet, you may carefully use a screwdriver to pry the framework open so the polycarbonate sheet can be inserted smoothly.
- Do not use or store hot objects such as grills, blow torches, welding equipment, etc. in or near your greenhouse.
- Do not allow children or pets to play in greenhouse or in the set up area until assembly is complete.
- If using a ladder during assembly, use extreme caution.
- A clean level surface is essential to maintaining the solid integrity of the structure, Install the base correctly as described in manual. Please anchor the greenhouse down to a firm and level base. If not properly installed warranty may be void.

#### NEEDED FOR ASSEMBLY

- |                            |                           |                                |
|----------------------------|---------------------------|--------------------------------|
| • <b>Tape Measure</b>      | • <b>2 Step Ladders</b>   | • <b>Safety Glasses</b>        |
| • <b>Level</b>             | • <b>Work Gloves</b>      | • <b>Drill</b>                 |
| • <b>Carpenter Square</b>  | • <b>Permanent Marker</b> | • <b>Silicone Caulk</b>        |
| • <b>At Least 2 Adults</b> | • <b>Masking Tape</b>     | • <b>Folding Utility Table</b> |



When you see this icon pay special attention to the helpful tips we have provided that will make installation more efficient.

# PREPARE A FOUNDATION FOR YOUR GRANDIO GREENHOUSE

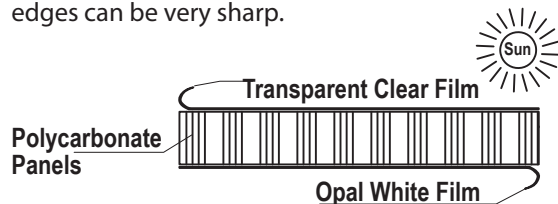
Before assembling your new greenhouse, a proper foundation must be prepared. A number of anchoring options are acceptable, based on wind and ground conditions in your area.

Pre-read pages 6-9 for base kit assembly information.

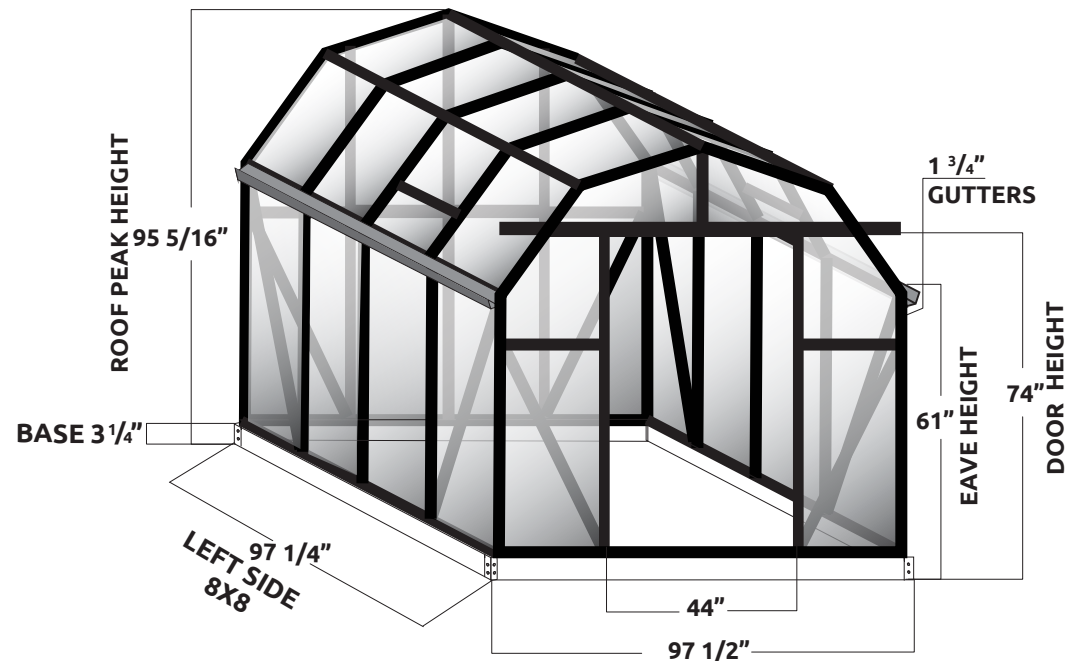
Go to [www.grandiogreenhouses.com](http://www.grandiogreenhouses.com) for foundation ideas and tour our online learning center for tips, tricks and videos for putting your greenhouse together.

## ▲ IMPORTANT: POLYCARBONATE PANELS ▲

The UV-Protected side is covered with clear film and must face toward the sun. The side covered in white film will always face the interior of the greenhouse. We suggest you peel all film off completely prior to assembly and use a permanent marker to place a small "X" on the lower right corner of each panel on the clear side that faces the sun, each panel has a sticker labeling the panel number and this side always faces the sun or outward as well. **DO NOT REMOVE LABELS UNTIL YOU INSTALL PANELS.** The "X" is suggested in case you dis-assemble your greenhouse in the future so you may identify which side has the UV coating. Always use gloves when handling the polycarbonate panels as the edges can be very sharp.

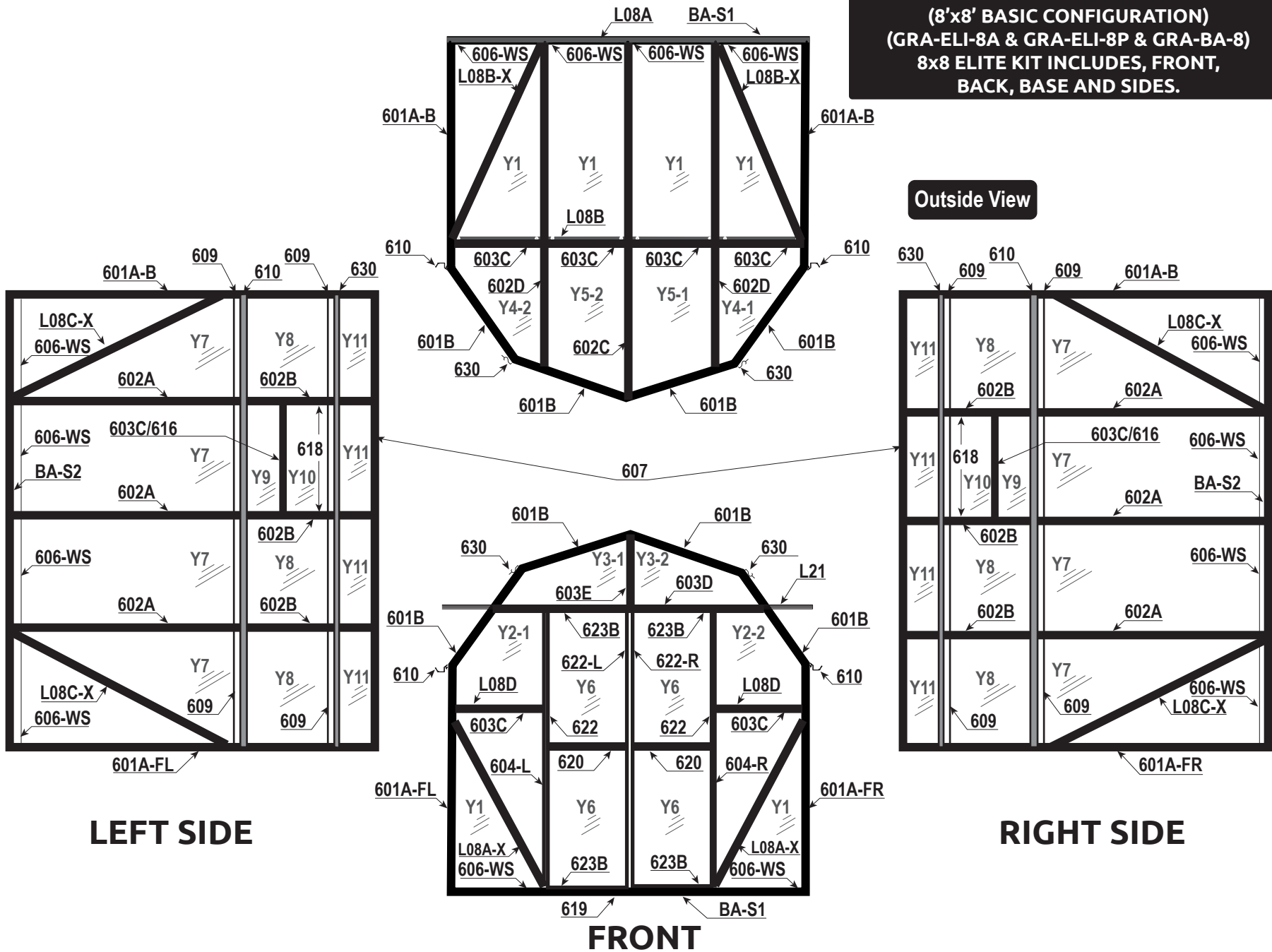


## 8X8 GRANDIO ELITE BARN STYLE GREENHOUSE DIMENSIONS

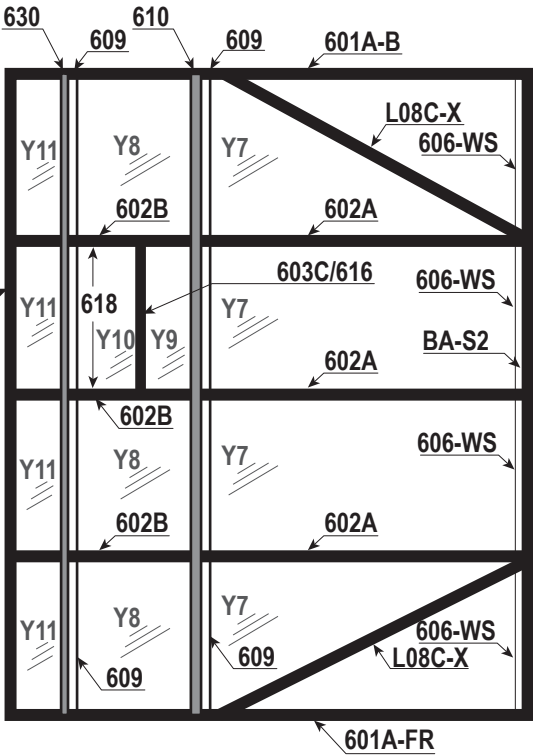


# BACK

**DIAGRAM SHOWS THE ASSEMBLED  
(8'x8' BASIC CONFIGURATION)  
(GRA-ELI-8A & GRA-ELI-8P & GRA-BA-8)  
8x8 ELITE KIT INCLUDES, FRONT,  
BACK, BASE AND SIDES.**



## Outside View





**GRANDIO**®  
GREENHOUSES

## **ASSEMBLY INSTRUCTION STEPS**

### **PREPARE FOR ASSEMBLY**

### **STEP ONE: BASE ASSEMBLY**

### **STEP TWO: FRONT ASSEMBLY**

### **STEP THREE: BACK ASSEMBLY**

### **STEP FOUR: MIDDLE ASSEMBLY**

### **STEP FIVE: DOOR ASSEMBLY**

### **STEP SIX: INTERIOR ROOF SUPPORTS**

|   |       |
|---|-------|
| Introduction.....                           | 1     |
| Safety Instructions.....                    | 2     |
| Prepare For Assembly.....                   | 3     |
| Diagram of Assembled Grandio Elite 8x8..... | 4     |
| Base Kit Assembly Information.....          | 6     |
| Base Kit Parts Lists.....                   | 7     |
| Base Kit Assembly and Installation.....     | 8-9   |
| Front Wall Assembly.....                    | 10-15 |
| Back Wall Assembly.....                     | 16-21 |
| Middle Assembly.....                        | 22-37 |
| Door Assembly.....                          | 38-43 |
| Interior Roof Supports.....                 | 44-45 |
| GRA-ELI-8A Parts List.....                  | 46-48 |
| GRA-ELI-8P Parts List.....                  | 49    |
| GRA-ELI-BD Parts List.....                  | 50    |
| Warranty.....                               | 51    |

# BASE KIT ASSEMBLY INSTRUCTIONS

## **Pre-Plan The Placement Of Your Structure**

Allow enough room to get a wheel barrow in and around your structure.

Be sure the orientation will allow for proper drainage in and around your greenhouse.

It is recommended that you place your greenhouse in an area of your property that receives the most sunlight but is also somewhat protected by trees, fencing or your home for wind protection and also to keep the temperature up during early spring and late fall.

The best placement depends on the features of your property, it is suggested in most scenarios to have your greenhouse face South on its broadest side and to have the door face East or West depending on typical wind directions in your area. Do not worry if your orientation will not allow for the placement to be as suggested, as a greenhouse that is facing North is better than no greenhouse at all.

Avoid building your greenhouse at the base of a slope as these are often frost pockets where cold air collects, this will not be good for your greenhouse in keeping the temperature up inside.

**Extreme Wind Conditions:** If you live in a windy location there is no way to build a 100% storm safe greenhouse, but there are a number of things you can do to minimize the chance of damage. Ensure that the base is level and square, be sure all panels are tightly in place and that all aluminum extrusions are tight. The main problem is usually that wind gets into the greenhouse and the pressure pushes a panel out and then the force of the wind on the interior causes more damage. It is best if you are expecting an extreme weather event that you disable any auto roof vents and make sure all doors and windows are closed and locked shut. Also you may need to build a wind break for extreme condition areas where wind is constant and extreme.

See our website **GrandioGreenhouses.com** for Extreme Weather Anchoring Kits and Moisture Control Kits to aid in protecting your greenhouse in the event of harsh weather conditions prior to beginning installation.

It is ideal for your greenhouse to have water, electricity and even gas plumbed into place before construction. This will make watering plants and keeping the temperature and air circulation to the max efficiency.

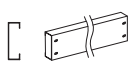
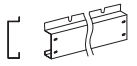
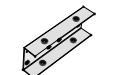
**See pages 8 and 9 for installation methods below**

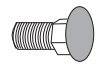


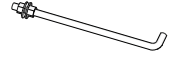
**For Cement Base Installation:** We suggest you use wedge style concrete anchoring bolts to secure your structure.

**For Deck Base Installation:** We recommend you use a set of anchoring bolts to secure your structure.

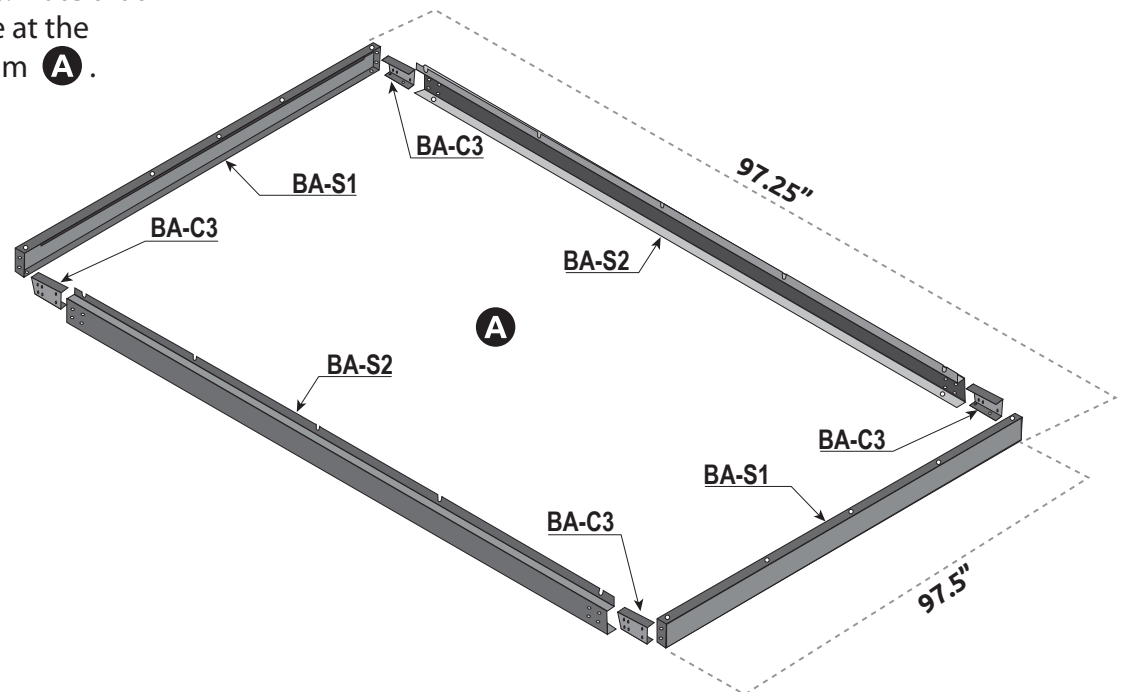
**For Earth Installation:** We recommend you use the anchoring system provided and bury corner posts into the ground and seal into place with quickrete.

# BASE KIT PARTS LIST FOR 8'X8'

| GRAPHIC   | PART NAME | SIZE/LOCATION       | QUANTITY |
|---|-----------|---------------------|----------|
|  | BA-S1     | 97 3/8 in / 2474 mm | 2        |
|  | BA-S2     | 94 1/4 in / 2394 mm | 2        |
|  | BA-C3     | 5 7/16 in 138 mm    | 4        |

| GRAPHIC   | PART NAME | SIZE/LOCATION       | QUANTITY |
|---|-----------|---------------------|----------|
|  | BA-S03    | M6*14               | 28       |
|  | BA-M03    | NUT                 | 28       |
|  | W05       | CLIP                | 9        |
|  | BA-A1     | 9 13/16 in / 250 mm | 4        |

**1.1** Layout all base kit pieces to prepare for assembly. Note that one **BA-S1** will be at the front and one **BA-S1** will be at the back and the **BA-S2's** will be on the sides. See diagram **A**.



STEP ONE

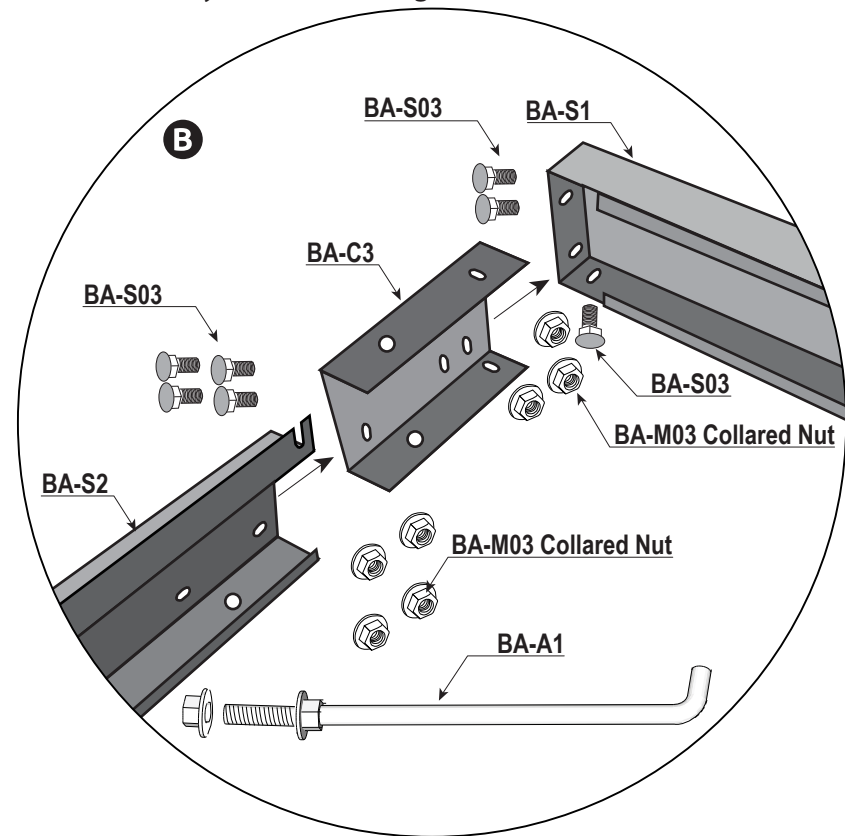
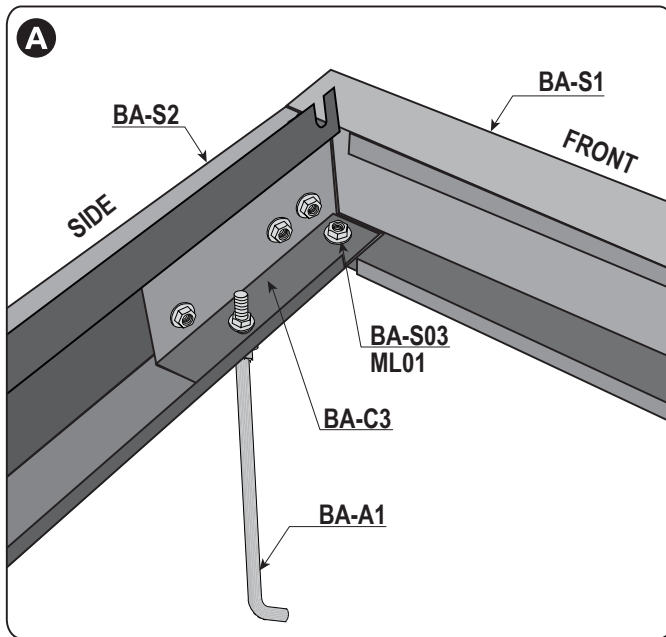


# BASE KIT ASSEMBLY INSTRUCTIONS

**1.2** Slide the **BA-C3** into the **BA-S1**, slide the **BA-S2** into the **BA-C3**, align the holes and push together to an even and tight position and use the **BA-S03** bolt and **BA-M03** collard nut combo, tighten the collard nut on the inside of the base kit using the 10mm wrench. Repeat this process on all corners. See **A** and **B**.

Note: Placement of **BA-S1** will be at front and the back, while the **BA-S2**'s will be the sides of your greenhouse base.

**1.3** For ground installation only insert the (4) **BA-A1**'s and (4) **BA-S03/ML01** combos to the four corners as shown in **A**. When all of the **BA-A1**'s are installed you can adjust the bolts to level the base. If you are installing on a flat mount surface see page 9.

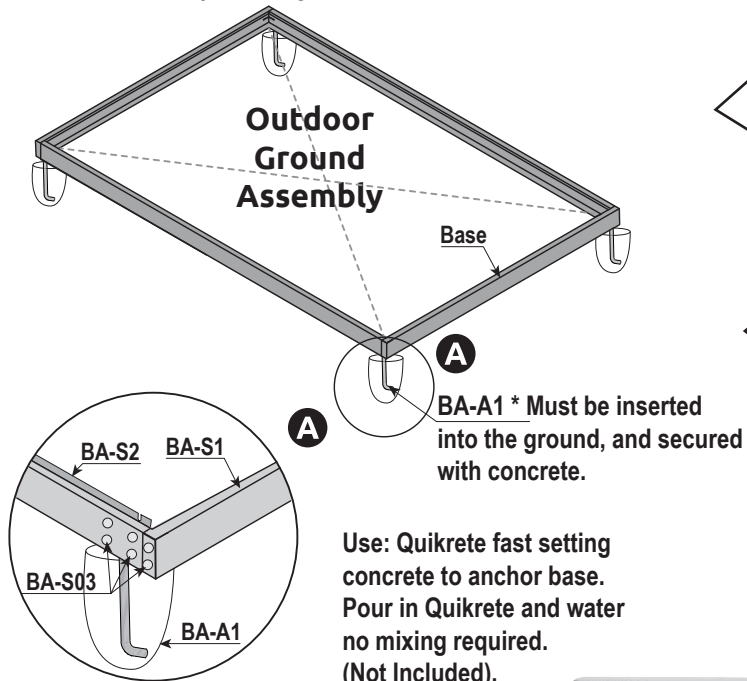


STEP ONE

# BASE KIT ASSEMBLY INSTRUCTIONS

**\*\*BASE MUST BE LEVEL & SQUARE, FOUNDATION MUST BE PROPERLY ANCHORED PRIOR TO GREENHOUSE ASSEMBLY**

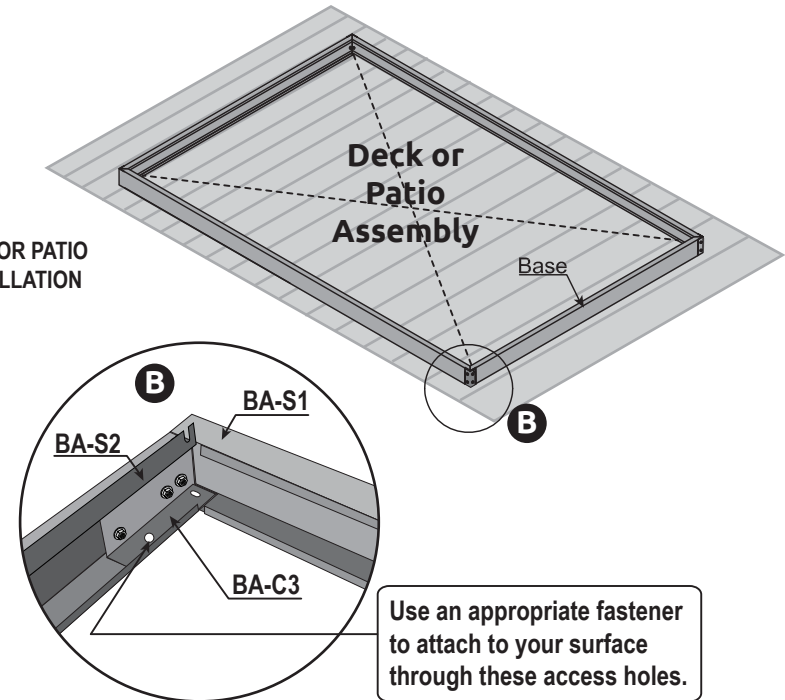
- A** BA-A1 must be buried in ground.  
Dig holes to bury the BA-A1's, you determine size and depth for your location.



**OR**

- B** Holes are present in base kit for anchoring bolts  
You determine and acquire proper fastener prior to installation.  
**Discard the BA-A1 for deck installations.**

**DECK OR PATIO INSTALLATION**

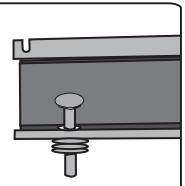


**STEP ONE**



**GRANDIO TIP** Make sure base is squared and level before setting anchor into concrete. Use a measuring tape to ensure all corners are the same. Use level on all four sides.

If surface is uneven you may want to purchase large washers that will fit under the base and allow fasteners to go through to use as a shim for leveling the base kit.



# FRONT FRAME ASSEMBLY INSTRUCTIONS

ALWAYS ASSEMBLE FRONT HORIZONTAL

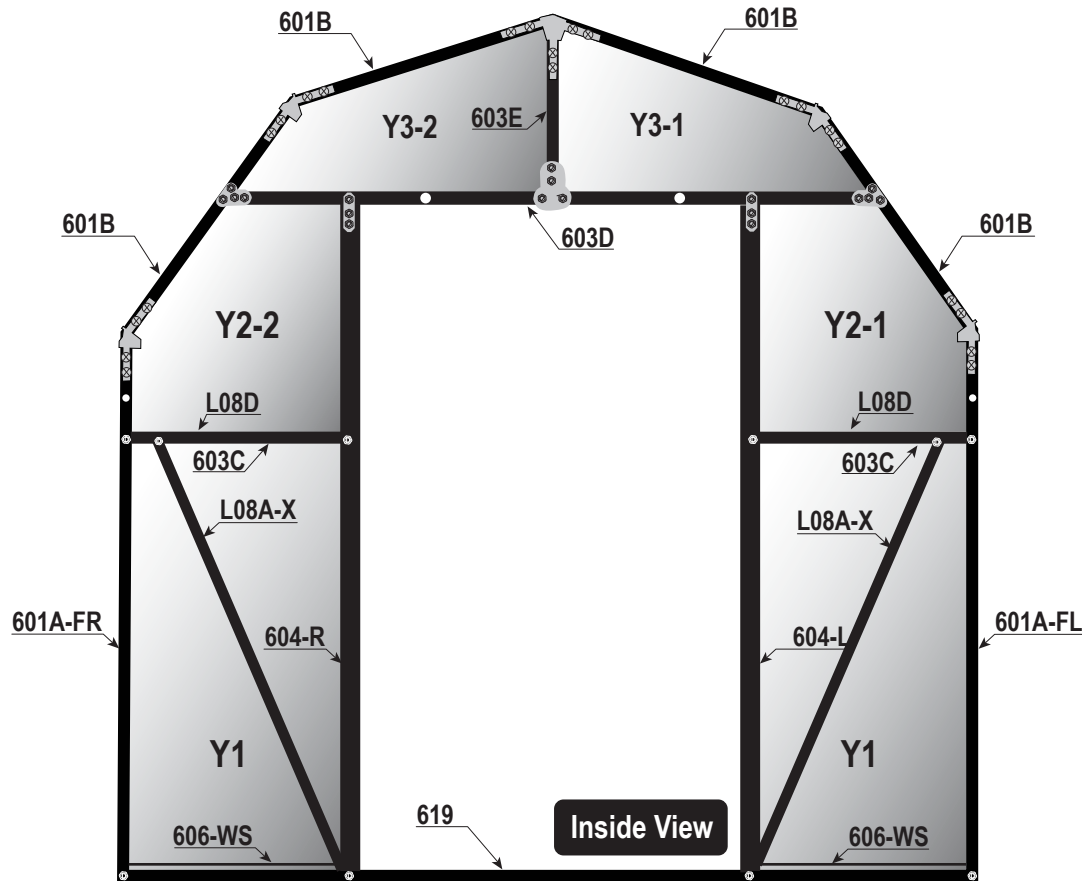
This picture shows the inside view of front section fully assembled.

All parts for front assembly will be found in box GRA-ELI-8A and GRA-ELI-8P.

We recommend that you assemble the front on a tarp.

\* If you purchased the Back Door Transformation kit you will repeat this section for your back wall using parts found in the GRA-ELI-BD box.

If you want to purchase the Back Door Transformation kit call 1-866-448-8231.



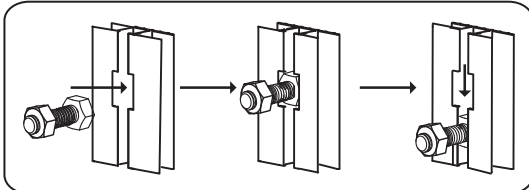
We recommend watching our how to assembly videos with tricks and tips for easier assembly and installation of your Grandio Greenhouse at: [www.grandiogreenhouses.com](http://www.grandiogreenhouses.com)



Lay flat on ground to assemble the front frame of your greenhouse. If possible try to find a shady area protected from the wind. Panels can burn grass and plants if in direct light.



**BOLT INSTALLATION TIP:** Locate all nuts and bolts, pre thread and place in the groove of the extrusion to make installation easier. Move up or down for exact placement.



STEP TWO

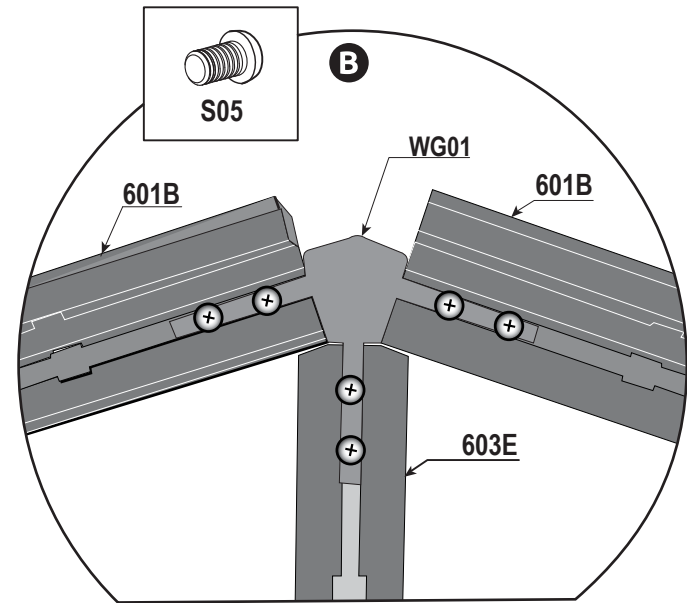
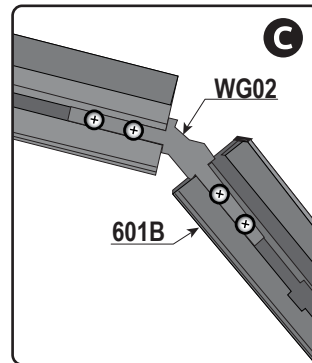
# FRONT FRAME ASSEMBLY CONTINUED

ALWAYS ASSEMBLE FRONT HORIZONTAL

**2.1** Prethread all **S05** screws into the **WG01** and **WG02's** for ease of installation, see **A** only turn **S05** a few turns.

**2.2** Use **WG01** bracket to attach the (2) **601B's** together with the **603E**, secure parts with the **S05** screws provided see **B**. The **WG01** will slide into the groove of the **601B's**, and also slide into the groove of the **603E**, screw head will remain outside channel.

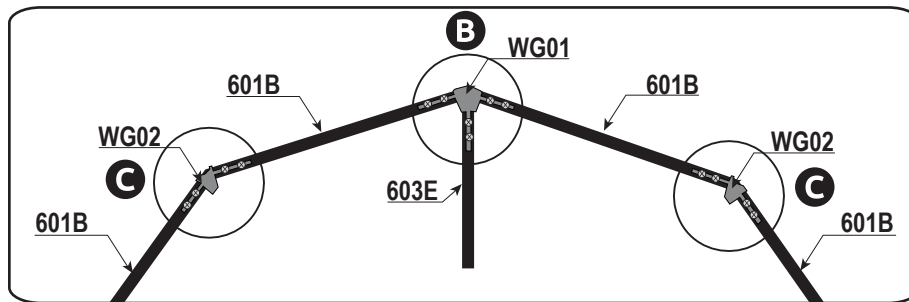
**2.3** Install **WG02's** into (2) **601B's** then tighten **S05** screws when extrusions are completely tight see **C**. Note: the fat end of the **WG02** will always be on the bottom side see **A**.



Inside View

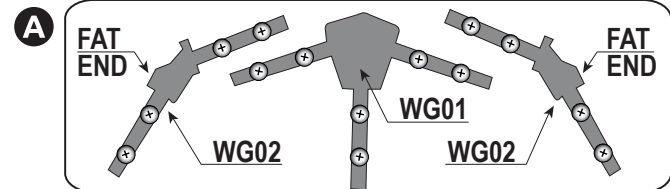
STEP TWO

**⚠ IMPORTANT: Use only S05 Screws, other screws may damage frame. ⚠**



**PRETHREAD SCREWS TIP:**

Locate all **WG01**, **WG02**, and **S05** screws, pre thread these to make installation easier. Note that the fat end on the **WG02** will always face downward.



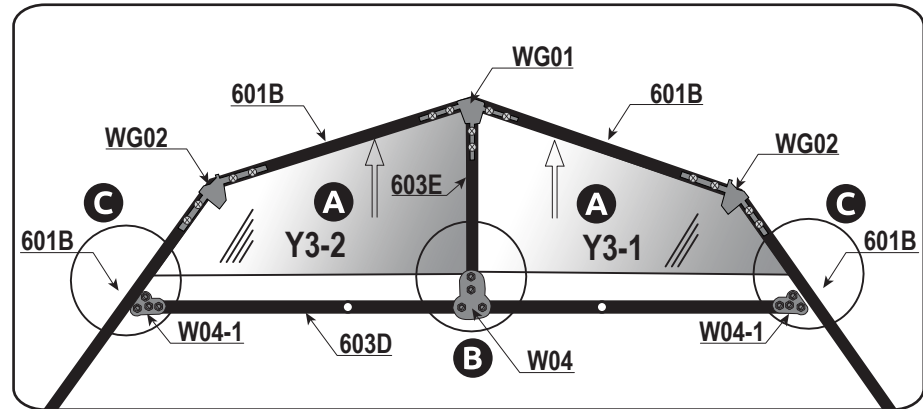
# FRONT FRAME ASSEMBLY CONTINUED

## ALWAYS ASSEMBLE FRONT HORIZONTAL

**2.4** Insert polycarbonate panels **Y3-2** and **Y3-1** into place as shown in **A**.

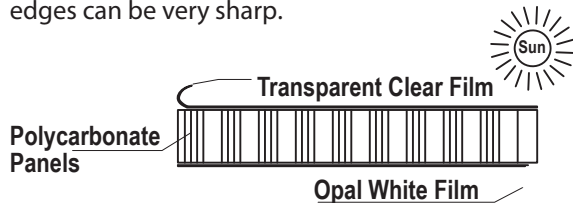
**2.5** Attach **603E** and **603D** with **W04** and **S04/ML01** fasteners as shown in **B**.

**2.6** Attach the **603D** to the **601B**'s using the **W04-1**'s with the **S04/ML01** fasteners on both sides as shown in **C**.

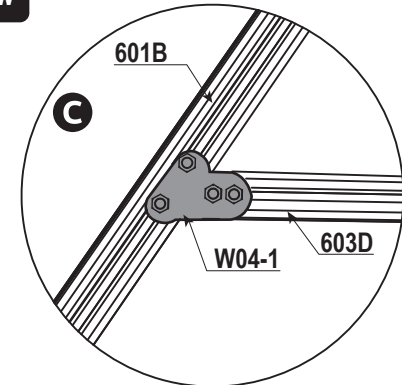
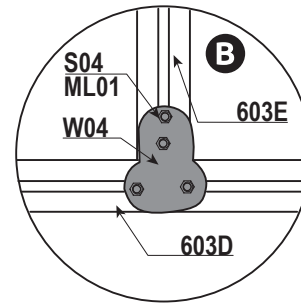


### ⚠ IMPORTANT: POLYCARBONATE PANELS ⚠

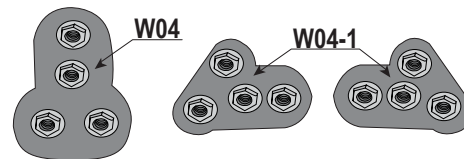
The UV-Protected side is covered with clear film and must face toward the sun. The side covered in white film will always face the interior of the greenhouse. We suggest you peel all film off completely prior to assembly and use a permanent marker to place a small "X" on the lower right corner of each panel on the transparent side that faces the sun, each panel has a sticker labeling the panel number and this side always faces the sun or outward as well. **DO NOT REMOVE LABELS UNTIL YOU INSTALL PANELS.** The "X" is suggested in case you dis-assemble your greenhouse in the future so you may identify which side has the UV coating. Always use gloves when handling the polycarbonate panels as the edges can be very sharp.



### Inside View



STEP TWO



### BOLT INSTALLATION TIP:

Locate **ML01/S04** nuts and screws, loosely pre thread into the **W04** and **W04-1**'s and place in the groove of the extrusion to make installation easier.

# FRONT FRAME ASSEMBLY CONTINUED

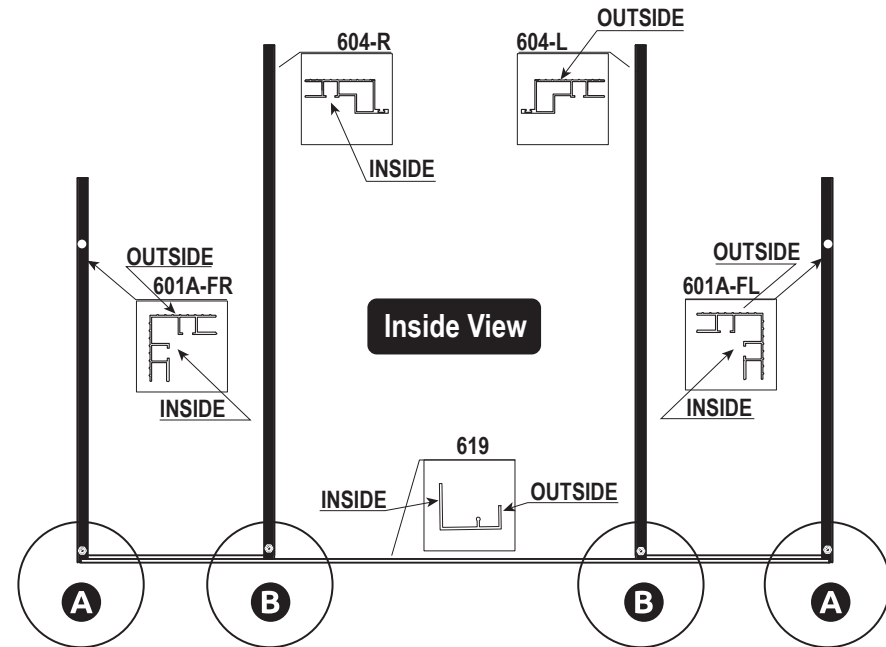
ALWAYS ASSEMBLE FRONT HORIZONTAL

**2.7** View diagrams and attach the (2) **604's** and (2) **601A's** to the **619**. Note the orientation of the **604's**, there are 4 different **601A's** (2) for the front and (2) for the back with different hole placements. See diagram on this page. The **601-FR** and the **601-FL** will have a hole at the top side and will face forward.

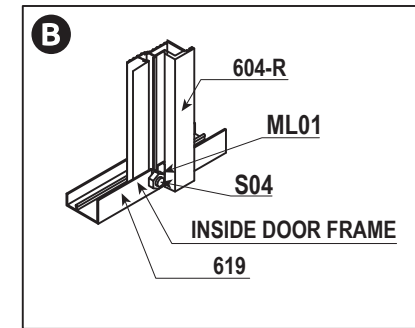
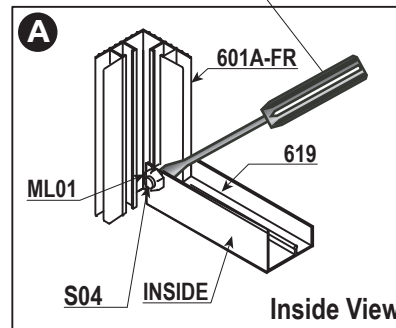
**A** shows where the corner pieces attach to **619**.

**B** shows where the door frame attaches to the **619**.

\*If assembling the back door you will need to drill 1/4 inch holes in **601-B's** to match the front wall, these holes should face the ground during assembly.

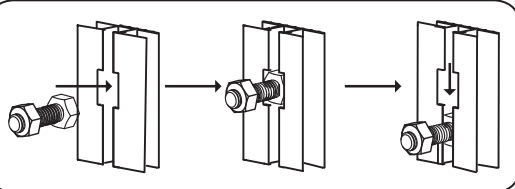


**TIP:** If necessary you may use a screwdriver to wedge behind the bolt head. This prevents bolt from falling into the track.



**BOLT INSTALLATION TIP:**

Locate all nuts and bolts, pre thread and place in the groove of the extrusion to make installation easier. Move up or down for exact placement.



Note the larger holes on **601A-FR** and **601A-FL** front pieces need to face the top front of the greenhouse.

STEP TWO

# FRONT FRAME ASSEMBLY CONTINUED

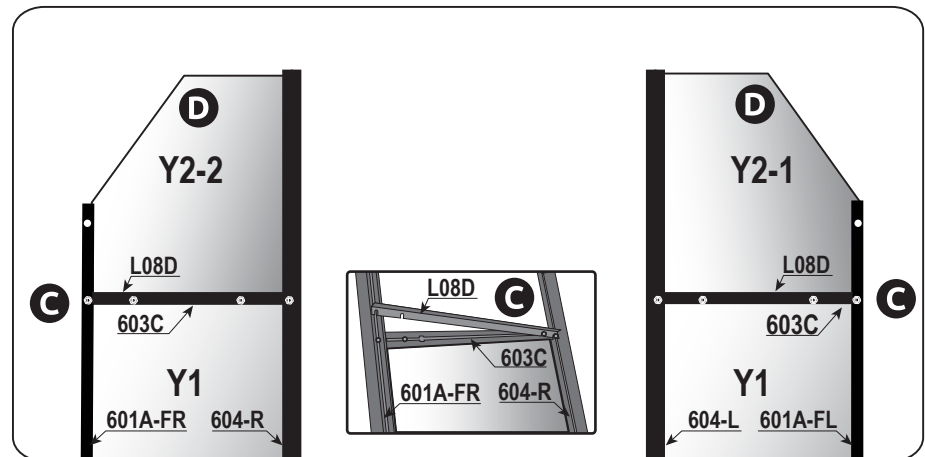
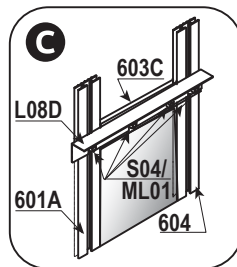
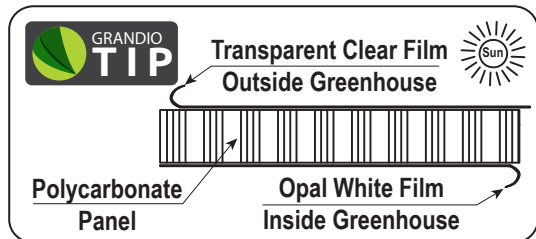
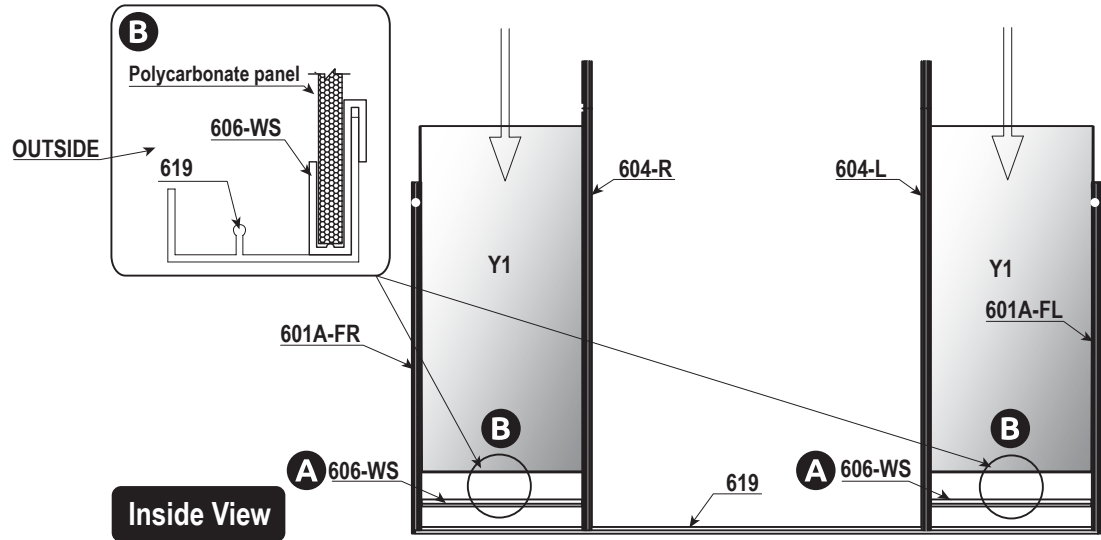
## ALWAYS ASSEMBLE FRONT HORIZONTAL

**2.8** Attach **606-WS** to **619**, this will hold the polycarbonate panels in place. If it seems too tight slide fingers or nut driver along edges, gently stretching the **606-WS** to allow room for panels to fit **A**.

**2.9** Insert **Y1** polycarbonate panels into place, make sure **Y1's** slide completely into **606-WS** as shown in **B**.

**2.10** Set (2) **603C's** atop the **Y1** panels, then attach (2) **L08D's** to the **603C's**, **601A's** and **604's** using **S04/ML01** fasteners, make sure it is snug with the tops of the **Y1** panels, then tighten fasteners. See **C**.

**2.11** Insert the **Y2-2** and **Y2-1** polycarbonate panels as shown in **D**.



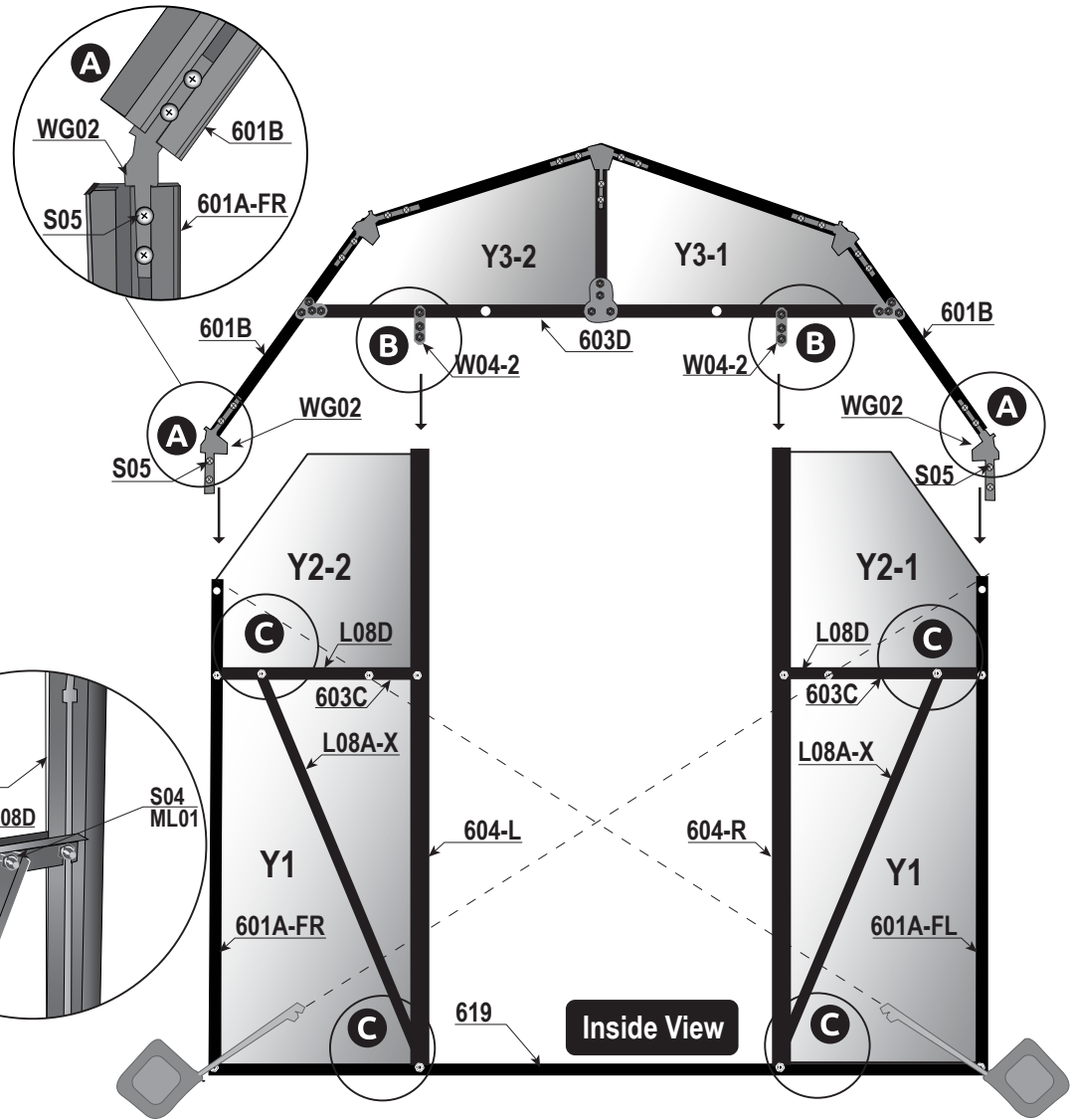
**STEP TWO**

# FRONT FRAME ASSEMBLY CONTINUED

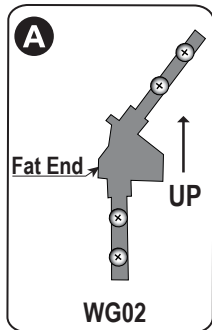
ALWAYS ASSEMBLE FRONT HORIZONTAL

**2.12** Move roof and front section together and align the **WG02's** into the **601A's**, and the **W04-2's** into the **604's**. Insure a snug fit between the **WG02's**, **601B's** and **601A's** and then tighten the **S05** screw as shown in **(A)**. Tighten the **W04-2's** with the **S04 /ML01** nut and bolt as shown in **(B)**.

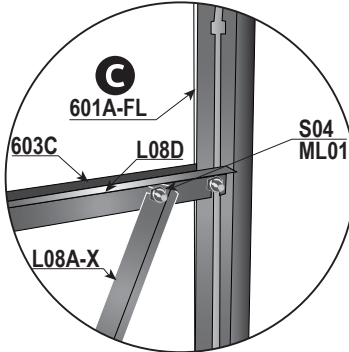
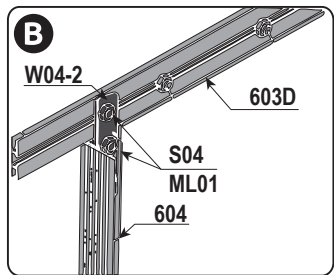
**2.13** Attach the **L08A-X's** to **L08D'S** and **604's** to square front section loosen **S04/ML01** attached to the bottom of the (2) **604's**, square the frame with carpenter square or use a measuring tape to make sure corner measurements are the same, also check distance across from the top of **601A's**, and also to the bottom of the **601A's** across, make sure distance is the same. Tighten **L08A-X's** to hold squareness as shown in **(C)**.



**STEP TWO**



Profile View

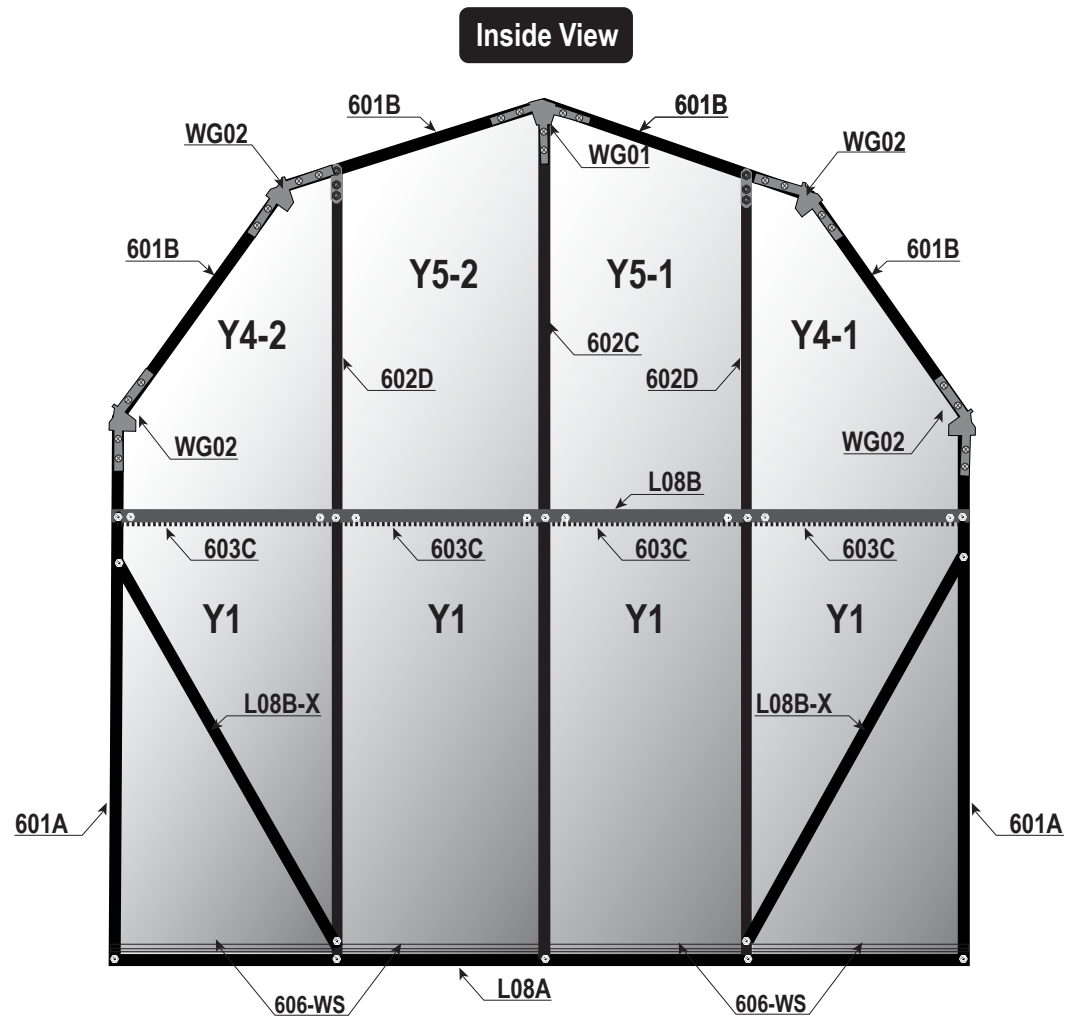
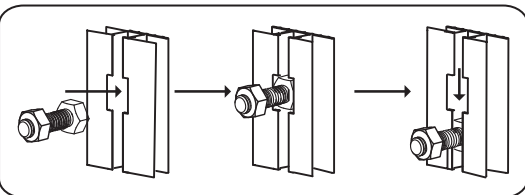
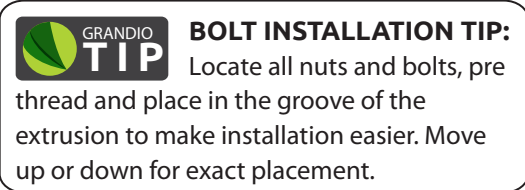
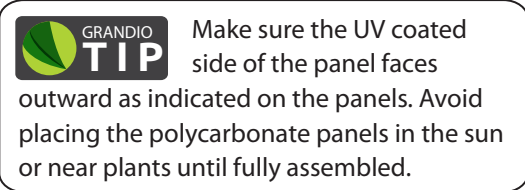
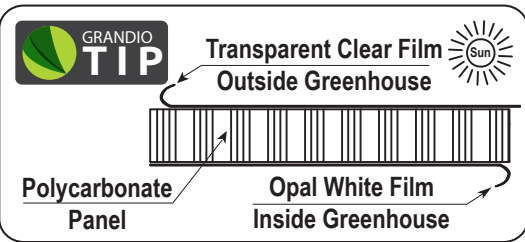




# BACK ASSEMBLY INSTRUCTIONS

ALWAYS ASSEMBLE BACK HORIZONTAL

This image shows the inside view of the back wall assembly.  
 All parts for back assembly will be found in box GRA-ELI-8A and GRA-ELI-8P.  
 We recommend that you assemble the back wall on a tarp.  
 \* If you are using the Back Door Transformation Kit you will skip this section.

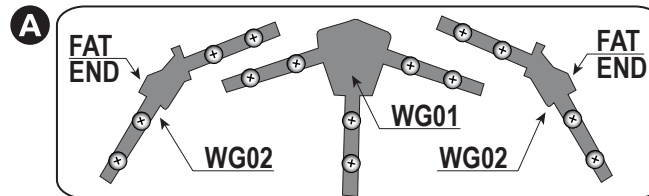


STEP THREE

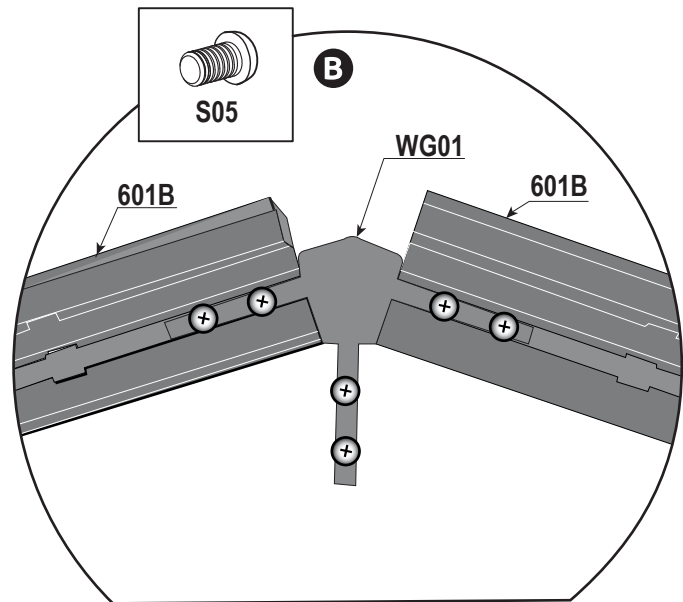
# BACK CONTINUED

## ALWAYS ASSEMBLE BACK HORIZONTAL

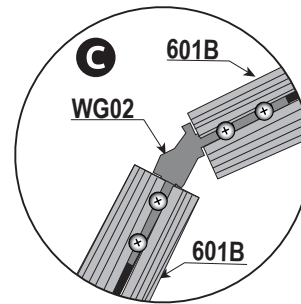
**3.1** Prethread all **S05** screws into the **WG01** and **WG02**, see **A**.



**3.2** Use the **WG01** bracket to attach the (2) **601B**'s together, secure parts by sliding the **WG01** into the **601B**'s as shown in diagram **B**.

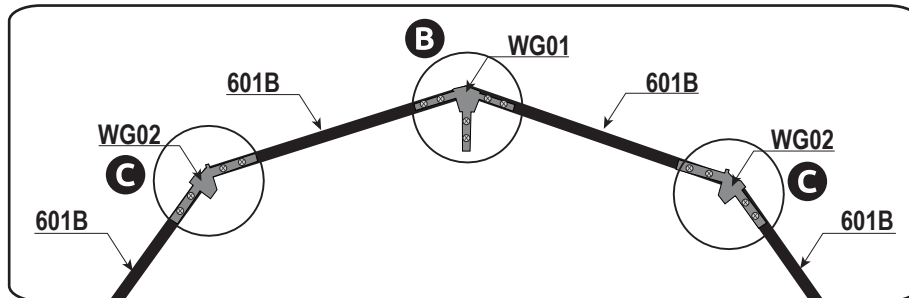


**3.3** Install **WG02**'s to connect (2) **601B**'s when firmly placed between the extrusions tighten the **S05** screws, see **C**.



STEP THREE

**⚠ IMPORTANT: Be careful moving or you may bend bracket. ⚠**



Inside View



**PRETHREAD SCREWS TIP:** Locate all **WG01**, **WG02**, and **S05** screws, loosely pre thread these to make installation easier. Note that the fat end on the **WG02** will always face down.

# BACK CONTINUED

ALWAYS ASSEMBLE BACK HORIZONTAL

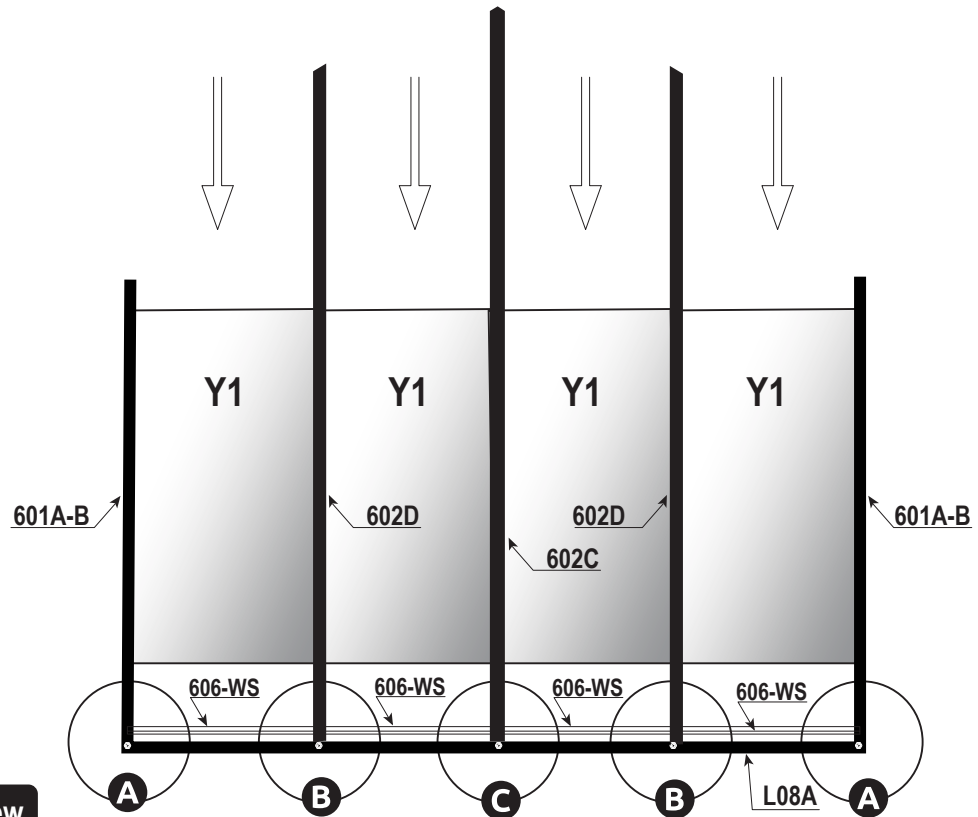
**3.4** Attach (2) **601A-B's** to **L08A** using **S04/ML01** fastener as shown in diagram **A**.

Attach (2) **602D's** to **L08A** using **S04/ML01** fasteners as shown in diagram **B**.

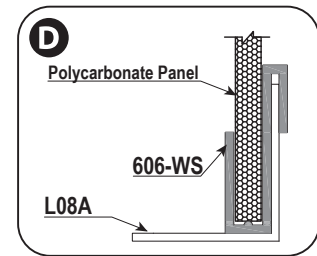
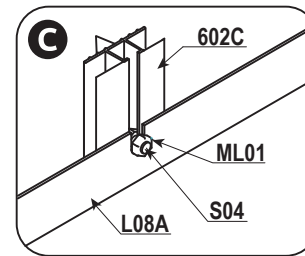
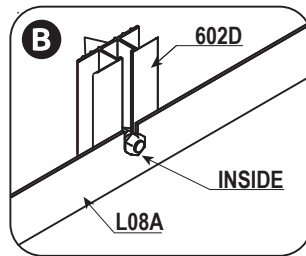
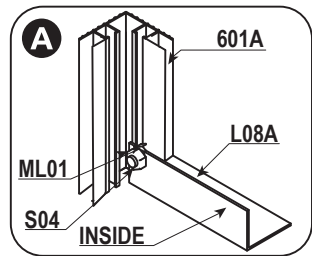
Attach **602C** to **L08A** using **S04/ML01** fastener as shown in diagram **C**.

**3.5** Attach the (4) **606-WS's** to the **L08A** as shown in **D**.

**3.6** Insert the **Y1** polycarbonate panels into the grooves of **601A**, **602D** and **602C**. Make sure **Y1** panels are inserted into **606-WS** as shown in **D**. You may need to use a screwdriver to gently open the **606-WS** to fit the polycarbonate panels into the groove of **606-WS**.



Inside View



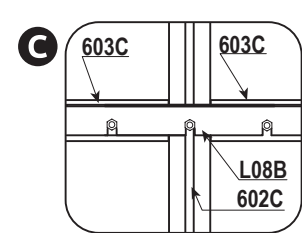
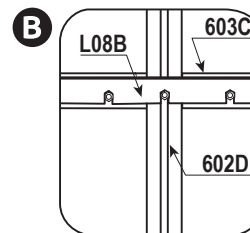
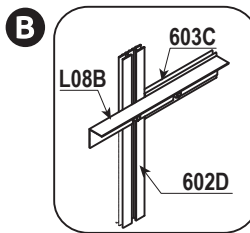
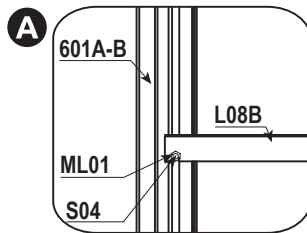
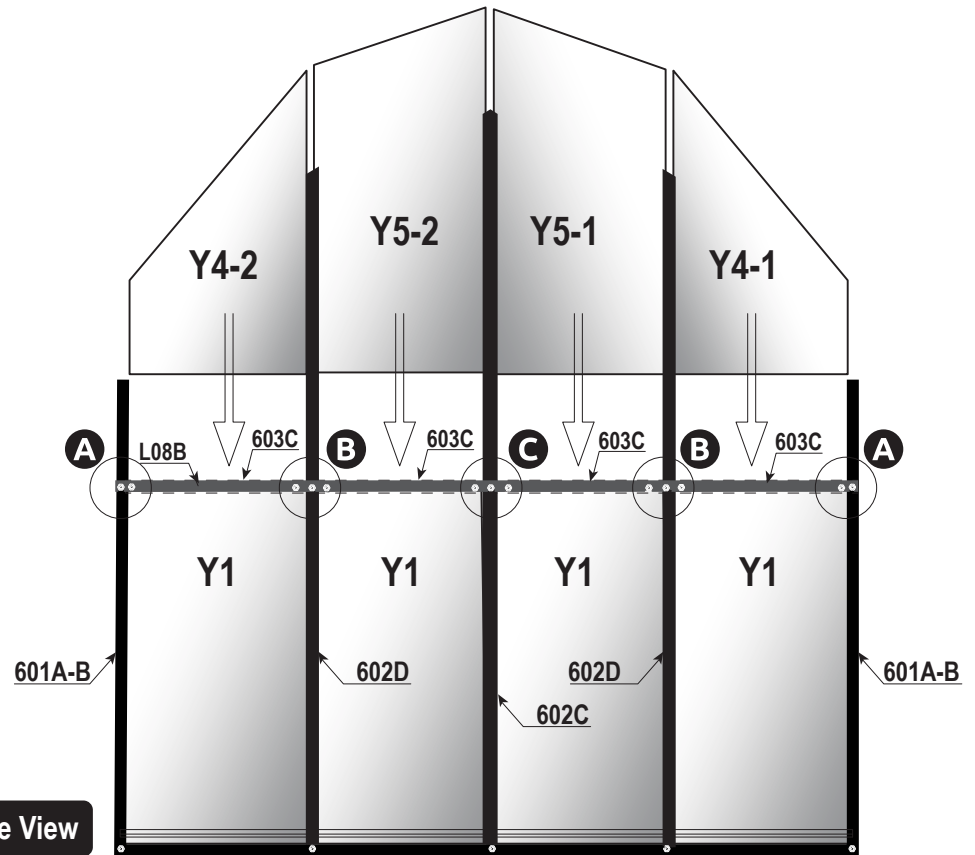
# BACK CONTINUED

ALWAYS ASSEMBLE BACK HORIZONTAL

**3.7** Set (4) **603C**'s atop each **Y-1** panel, then align the pre threaded **S04-ML01** fasteners in each **603C** to the **L08B** and to each **601A-B**, **602D** and the **602C**. When aligned tighten the middle first and work your way outward. See diagrams **A**, **B**, **C**.

**3.8** Insert the **Y5-1** and **Y5-2** polycarbonate panels into place. Then insert the **Y4-1** and **Y4-2** into place as shown in the diagram.

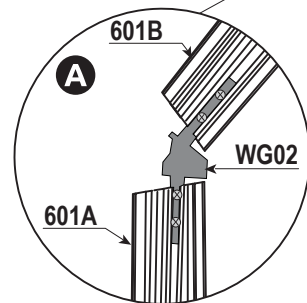
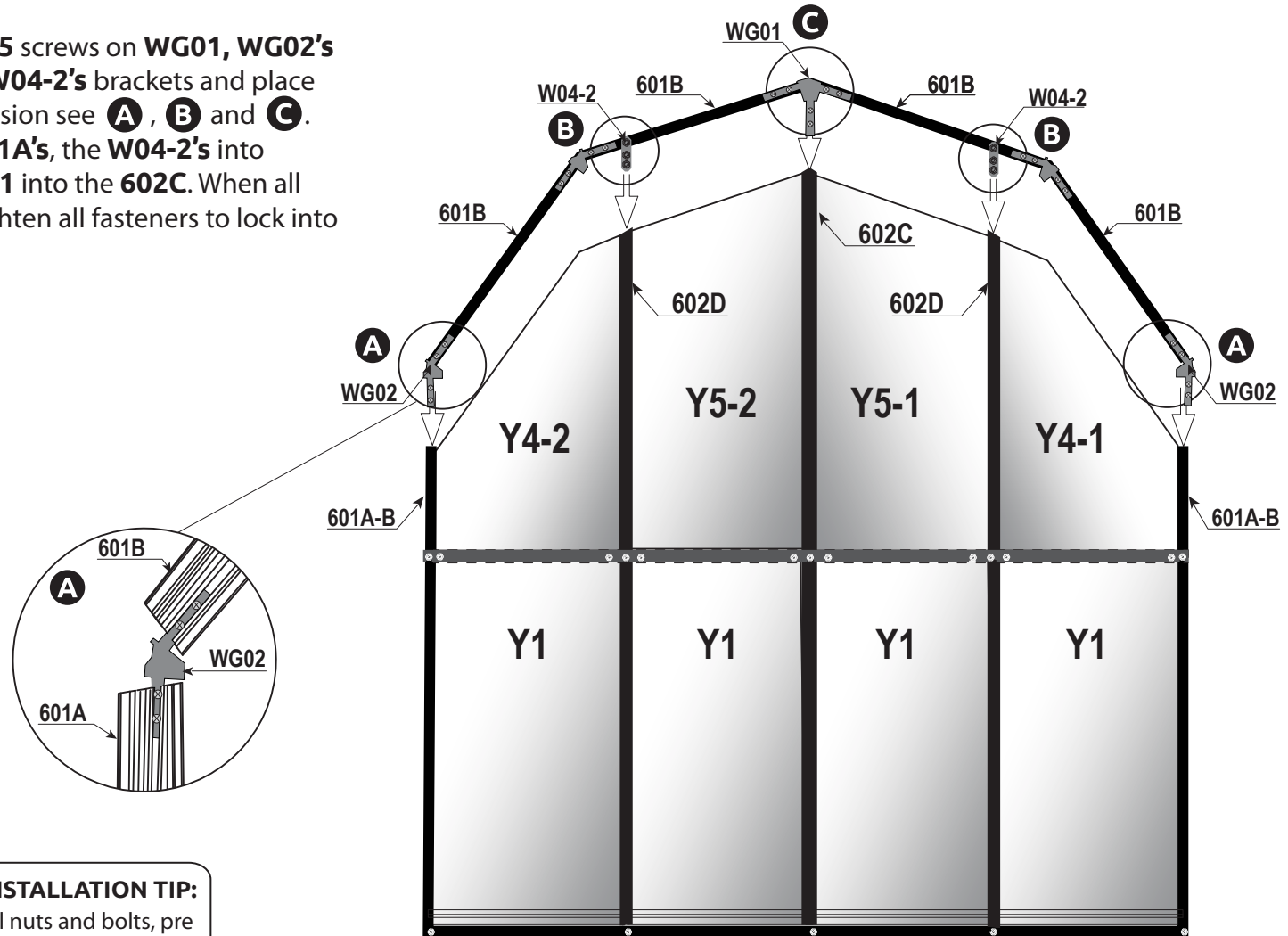
STEP THREE



# BACK CONTINUED

ALWAYS ASSEMBLE BACK HORIZONTAL

**3.9** Pre thread the **S05** screws on **WG01**, **WG02**'s and the **S04/ML01 W04-2**'s brackets and place into appropriate extrusion see **A**, **B** and **C**. Align **WG02**'s into **601A**'s, the **W04-2**'s into **602D**'s, and the **WG01** into the **602C**. When all members are snug tighten all fasteners to lock into place.



STEP THREE

**GRANDIO TIP** **BOLT INSTALLATION TIP:** Locate all nuts and bolts, pre thread and place in the groove of the extrusion to make installation easier. Move up or down for exact placement.

Inside View

# BACK CONTINUED

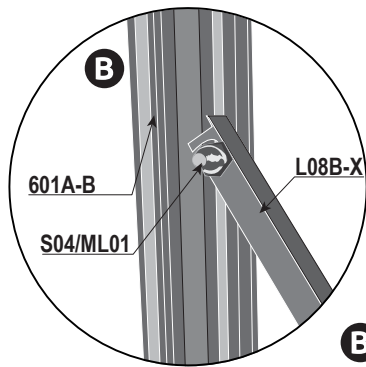
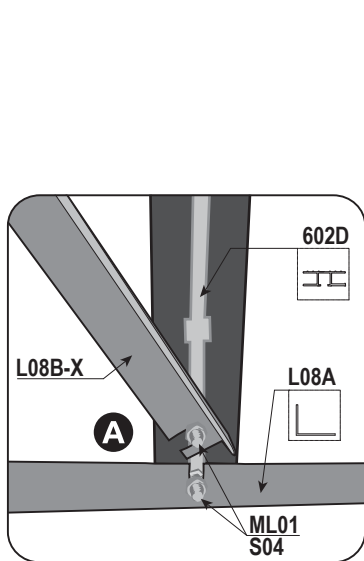
ALWAYS ASSEMBLE BACK HORIZONTAL

## 3.10

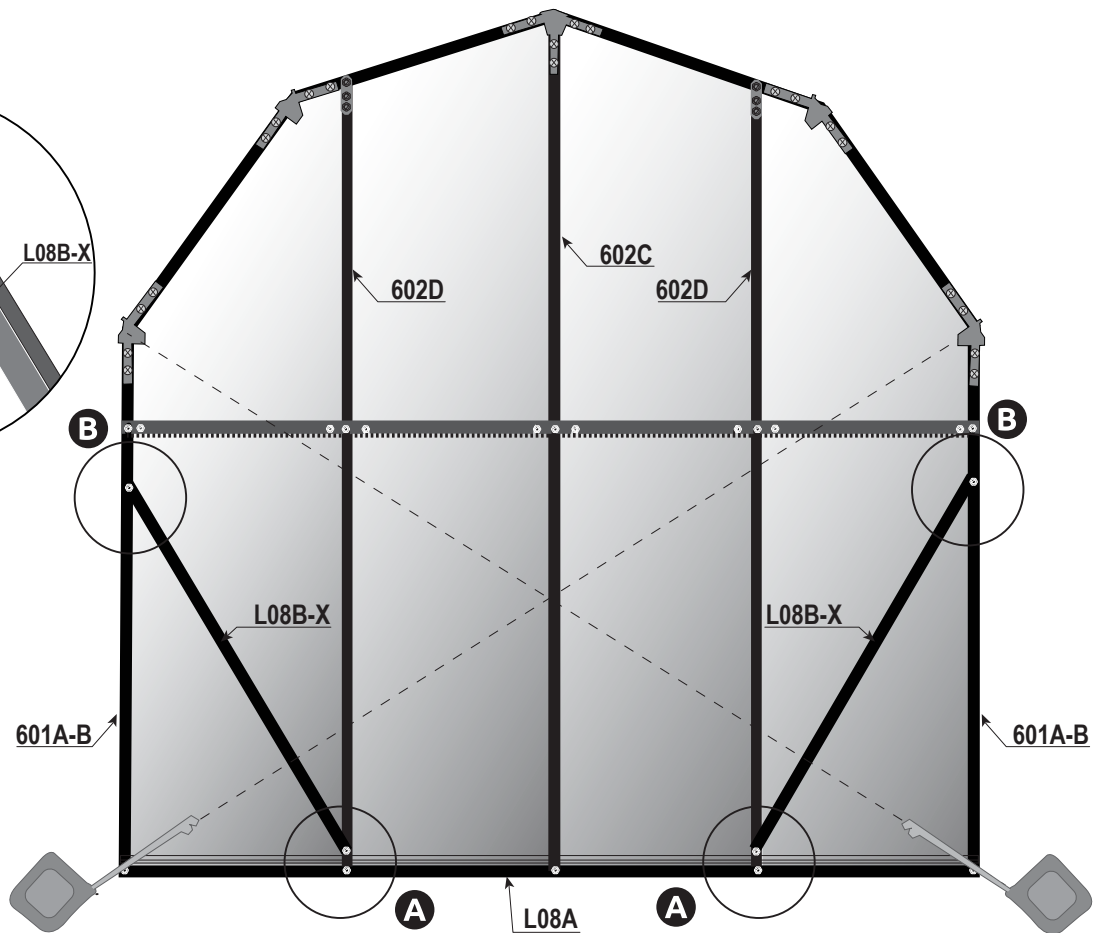
**A.** Attach (2) **L08B-X's** to (2) **602D's** and **L08A** with **S04/ML01** as shown in **(A)**.

**B.** Attach (2) **L08B-X's** to the (2) **601A-B's** with fasteners as shown in **(B)**.

STEP THREE



Inside View

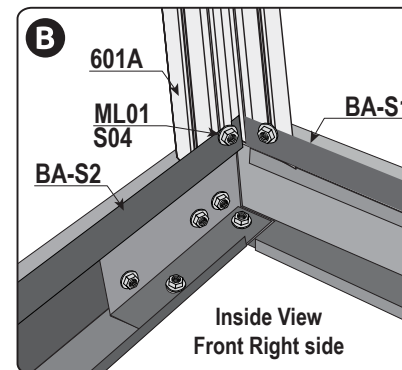
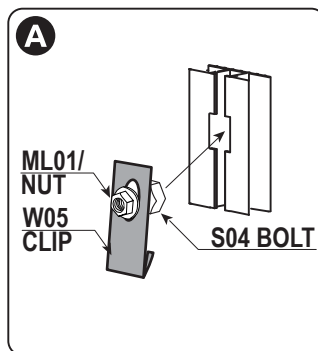


**GRANDIO TIP** Square by loosening bolts attached to the tops of the **L08B-X**, use measuring tape to make sure corner to corner measures the same.

# MIDDLE ASSEMBLY INSTRUCTIONS

If building a greenhouse with a front and back door you will repeat steps 4.1-4.5 for attaching both front and back walls of the greenhouse, and you will skip step 4.6-4.8.

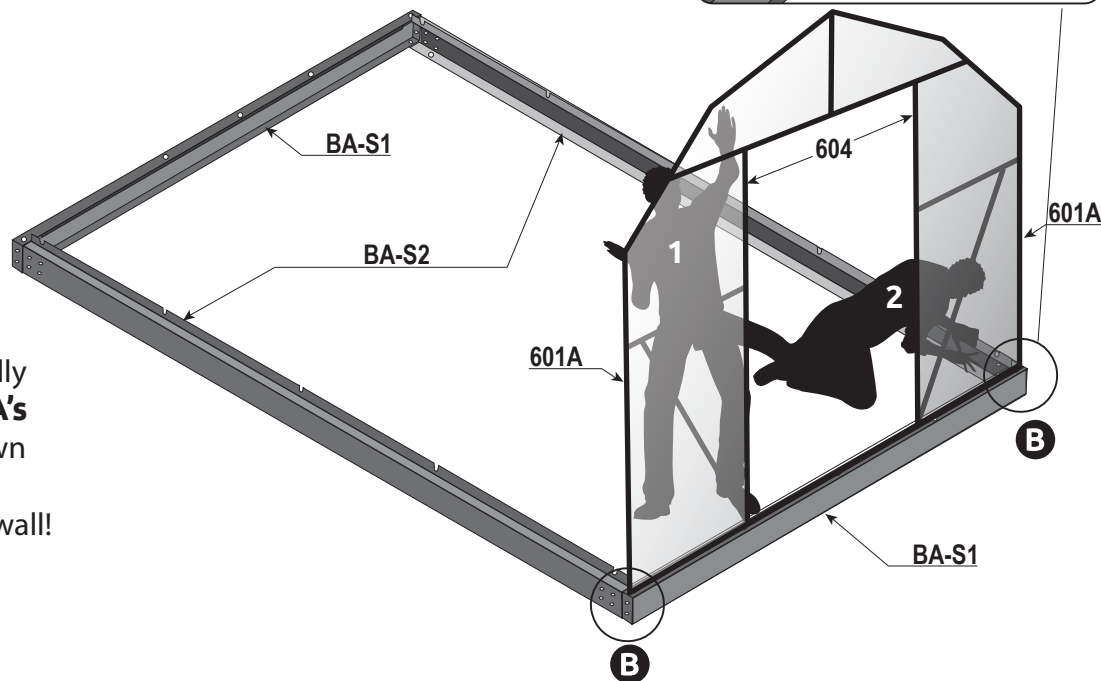
**Warning:** The person(s) holding the front or back sections vertical must continue to do so until the **L08C-X** angle supports are attached securely to the front and base as shown in step 4.5. Failure to hold front vertical will cause the front to fall and damage the base kit, front framing etc. Damage caused by improper installation is not warrantable.



STEP FOUR

**4.1** We recommend pre threading all (9) **W05** Clips with the nut and bolt combos now. See **A**, note the bolt head will always slide into the extrusion, you will not use the **W05 Clips** until step 4.5.

**4.2** With no less than 2 people place the pre assembled front section on top of the base kit front. Have person **(1)** hold the front vertically while the other attaches the front section **601A's** to the base using **S04/ML01** fasteners as shown in **B**. Person **(1)** must continue to hold up the front wall!



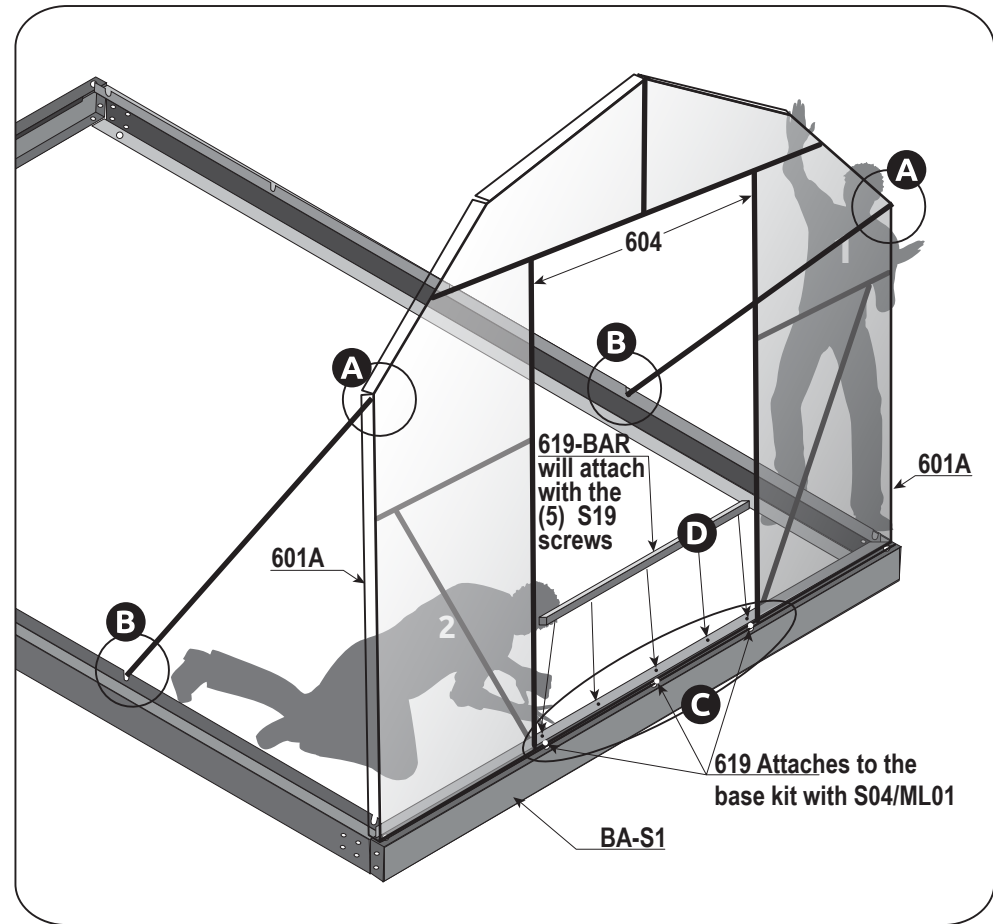
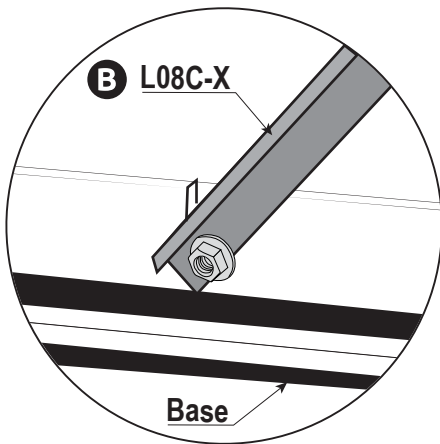
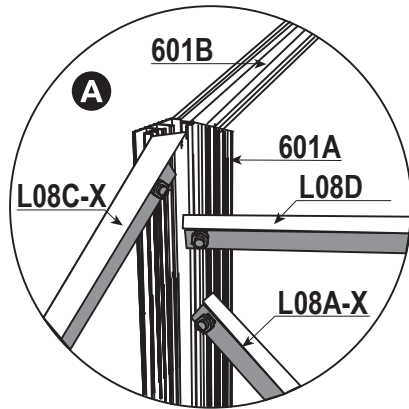
You will need a minimum of (2) people to complete the middle assembly of your greenhouse. The more people the merrier at this stage of assembly.

# MIDDLE ASSEMBLY CONTINUED

**4.3** Attach **L08C-X** to **601A** and the **BA-S2** with **S04/ML01** on both sides as shown in **A** and **B** with the nut and bolt combos.

**4.4** Attach the front section **619** to the base using (3) **S04/ML01** fasteners as shown in **C**, then attach the threshold support **619-BAR** to the inside of the **619** with (5) **S19** self tapping screws included in the package, see **D**.

STEP FOUR

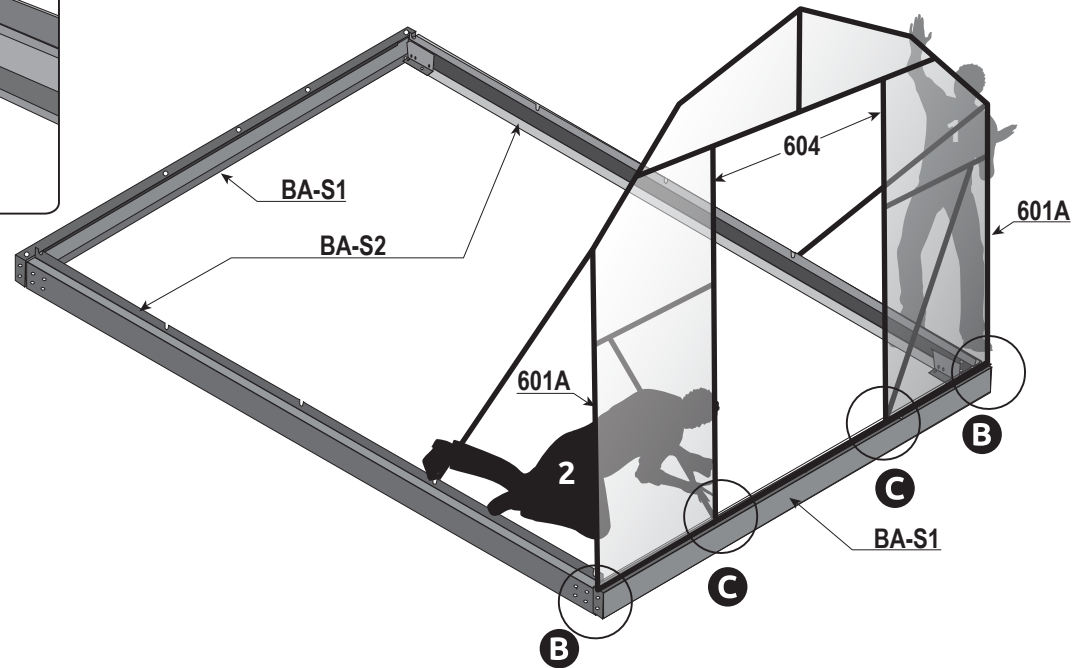
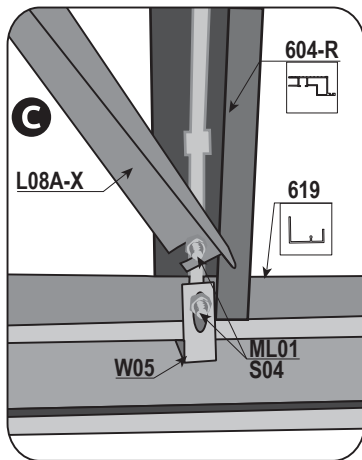
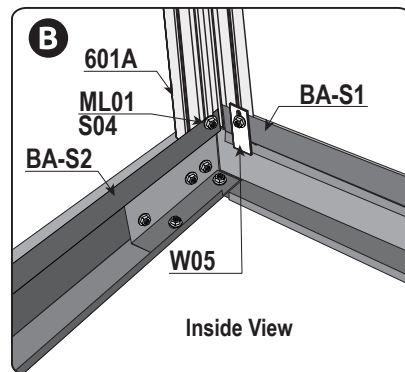
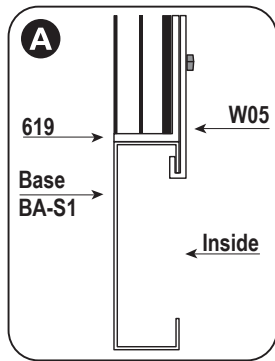




# MIDDLE ASSEMBLY CONTINUED

If you are using the Back Door Transformation kit you will repeat steps 4.1-4.5 to install the Back Door Wall, then skip ahead to step 4.9.

**4.5** Have person (1) continue to hold the front vertically while the other attaches the front section to the base with **W05/S04/ML01** fasteners as shown in **A**, **B** and **C**. The (4) **W05** clips will catch the under edge of the front base kit and then slide upward attaching to the bottom of the **601A's** and the **604's**. You will slide the bolt into the extrusion, slide it down to catch the edge of the base kit, then slide up and hold up as high as it will go and then tighten the **ML01** nut, note you will have to switch out the combo that was originally used to the **W05 Clip**.



STEP FOUR

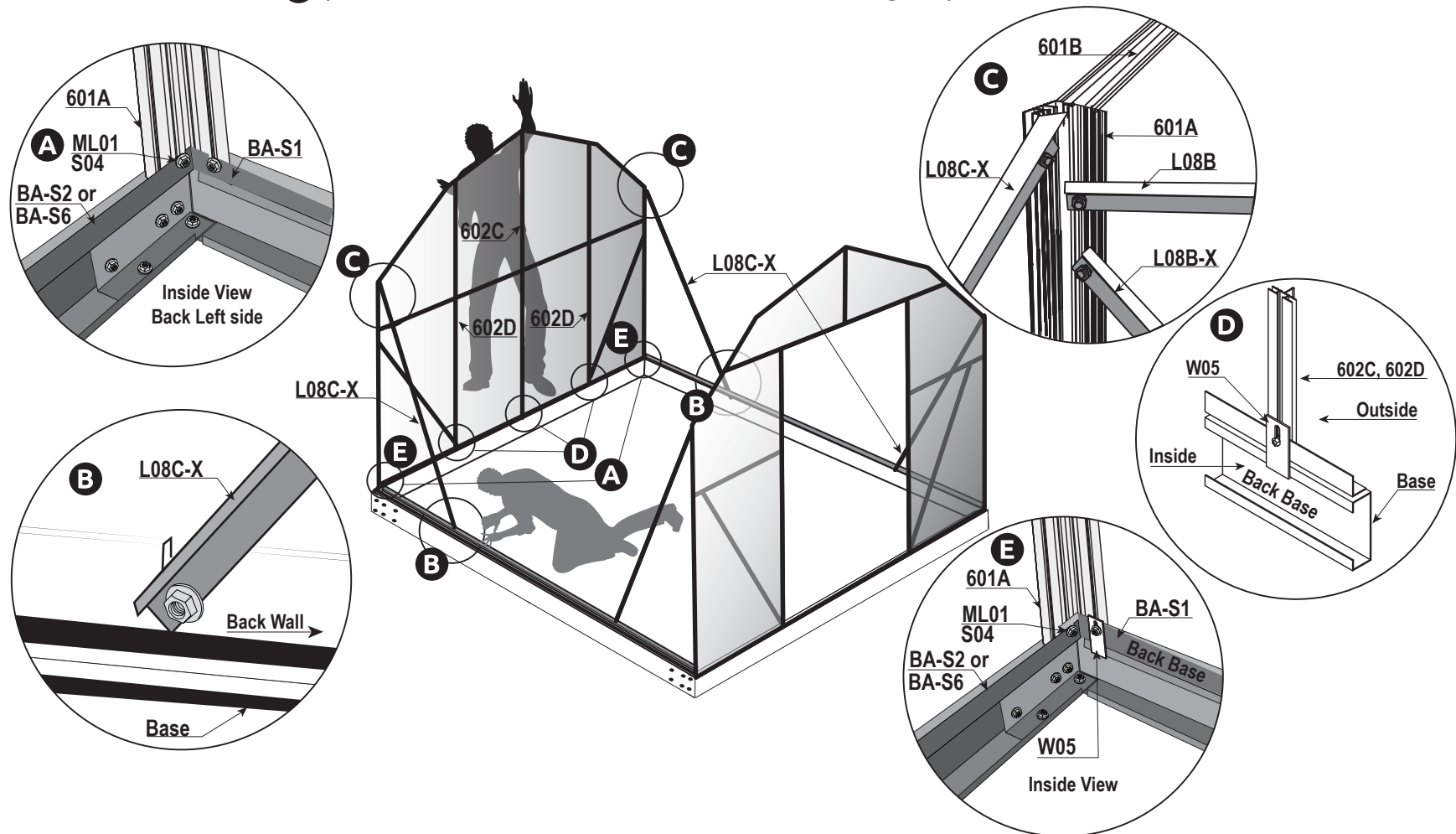
# MIDDLE ASSEMBLY CONTINUED

**4.6** Attach back wall **601A's** with back base corners using **S04/ML01** on both sides as shown in **(A)**.

**4.7** Attach bottom of **L08C-X** to rear section of base kit with **S04/ML01**, as shown in **(B)**. Attach the **L08C-X** to the **601A** as shown in **(C)**, make sure the **S04/ML01** combos are tight.

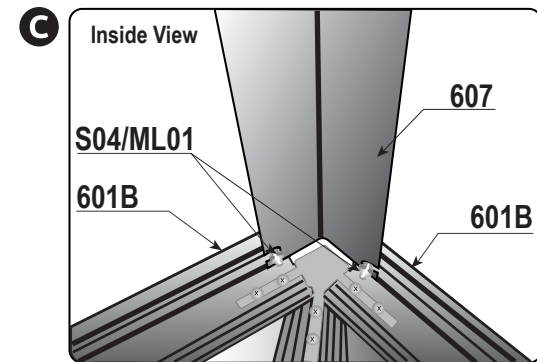
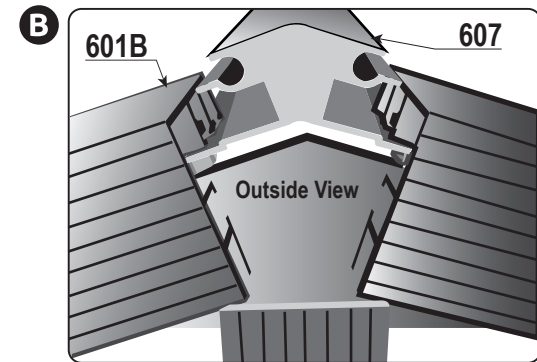
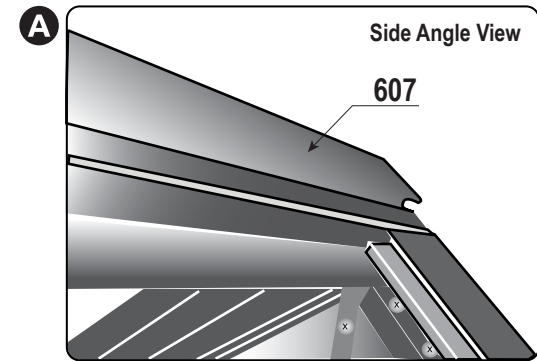
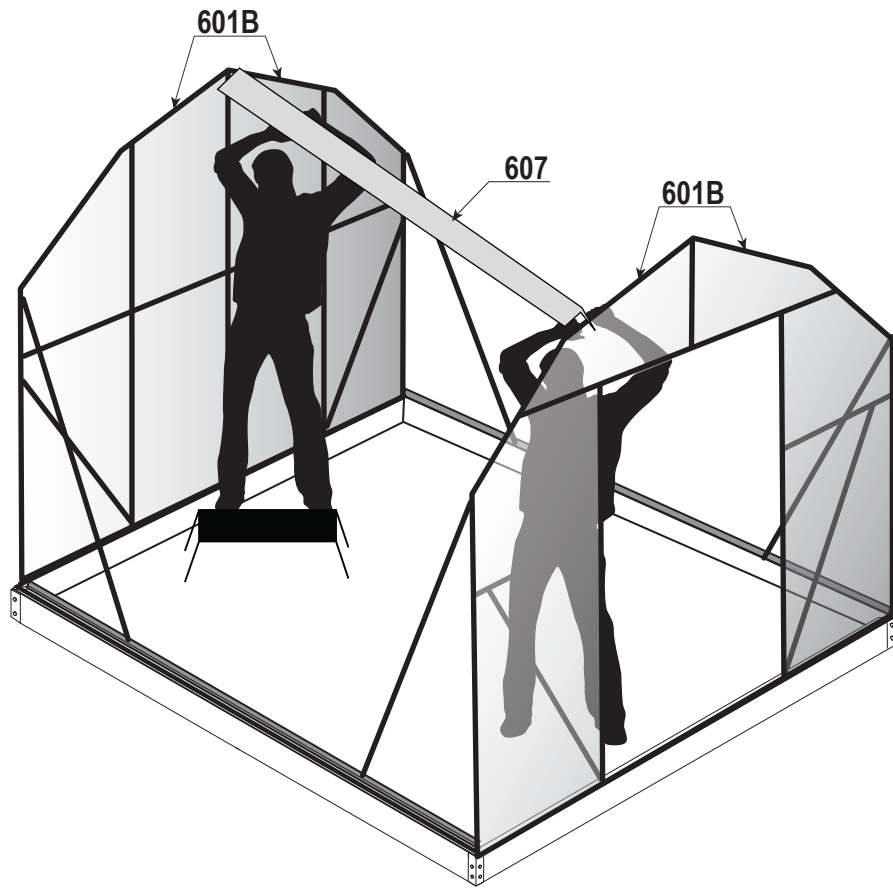
**4.8** Use the (5) remaining **W05** clips to attach the backwall where the **601A's** meet the corner of the base as shown in **(D)**, and where **602D's**, and the **602C** meet the **BA-S1B** see **(D)**. Then use **W05 Clip** combos to attach the corner **601A's** to the base kit as shown in **(E)**, you will have to switch out the combo that was originally used to the **W05 Clip**.

STEP FOUR



# MIDDLE ASSEMBLY CONTINUED

**4.9** With 2 people, attach the ridge to front and back by sliding into place as shown in **A** and **B**, using **S04/ML01** fasteners attach the **607** to the **601B**'s as shown in **C**.



STEP FOUR

# MIDDLE ASSEMBLY CONTINUED

**STEP FOUR**

**4.10** Before you attach the **609** you will need to loosen the **ML01** (nut) attached to the tops of the **L08C-X**.

**Note:** Loosen nuts on only one side at a time, i.e. right front corner, right rear corner. See **A**.

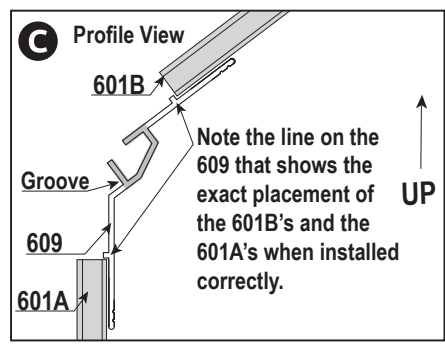
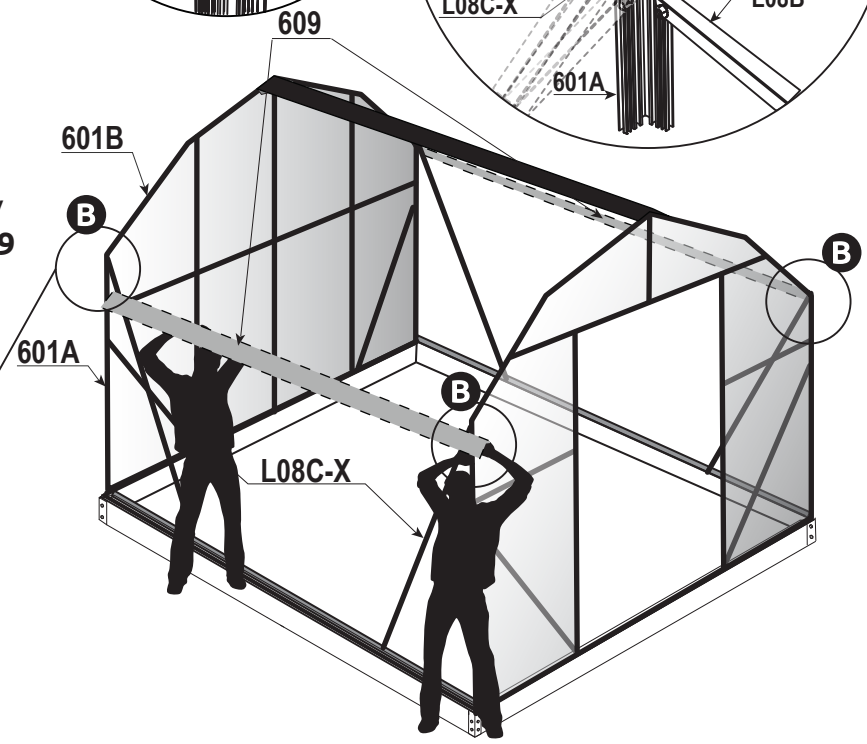
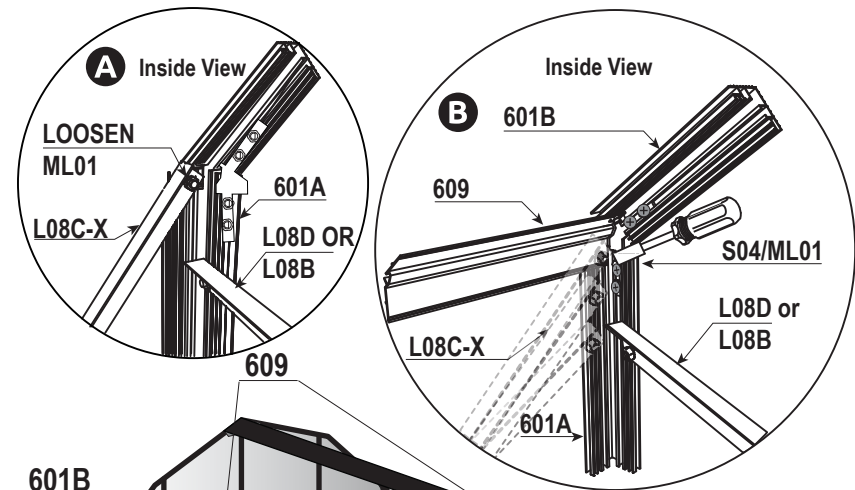
With 2 people proceed to install **609**'s in this order, note that **609** must be installed with groove side down see **C**. Compare with **610** to make sure it will slide into **609** upon completion.

**1.** With one person holding the **609** level and in position have the other person attach the **609** to the **601B** using **S04/ML01** (nut and bolt). See **B**.

**2.** Now move the loosened **S04/ML01** (nut and bolt) currently attached to the **601A** upward to firmly secure the **L08C-X**, **609** and **601A** together as shown in **B**.

**3.** Repeat steps **1.** and **2.** for the other end of **609**.

**4.** With one side firmly secured move to the other side and repeat steps **1.**, **2.** and **3.**

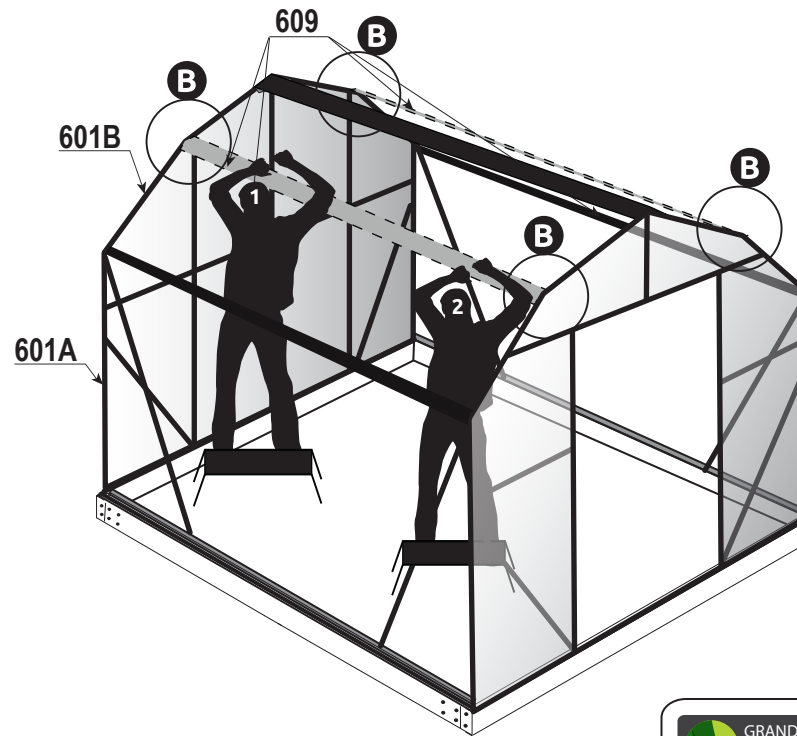
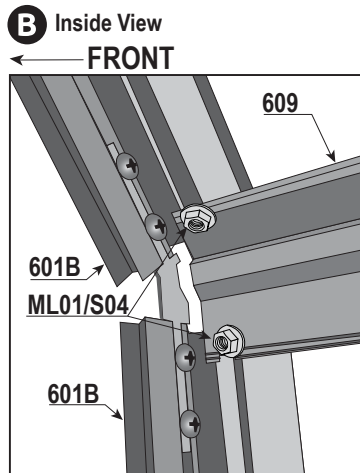
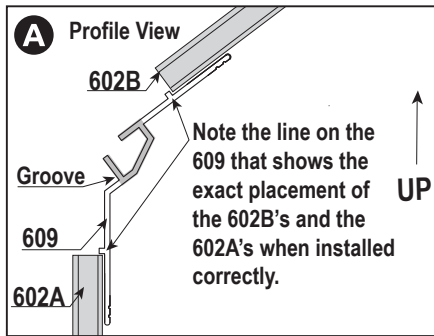


**GRANDIO TIP** Remove only one **L08C-X** at a time. If all **L08C-X**'s are removed, the structure will collapse and cause unwarrantable damage.

# MIDDLE ASSEMBLY CONTINUED

4.11 Note orientation of the 609, see **A**.

1. Attach the mid roof 609's with S04/ML01 nut and bolt on both sides see **B**.



Remove only one **L08C-X** at a time. If all **L08C-X**'s are removed, the structure will collapse and cause unwarrantable damage.

STEP FOUR

# MIDDLE ASSEMBLY CONTINUED

## STEP FOUR

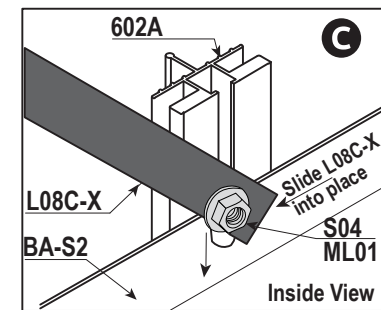
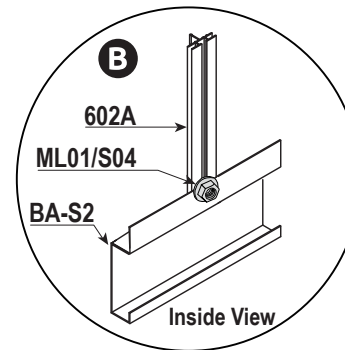
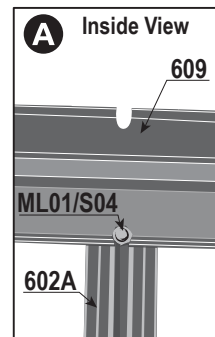
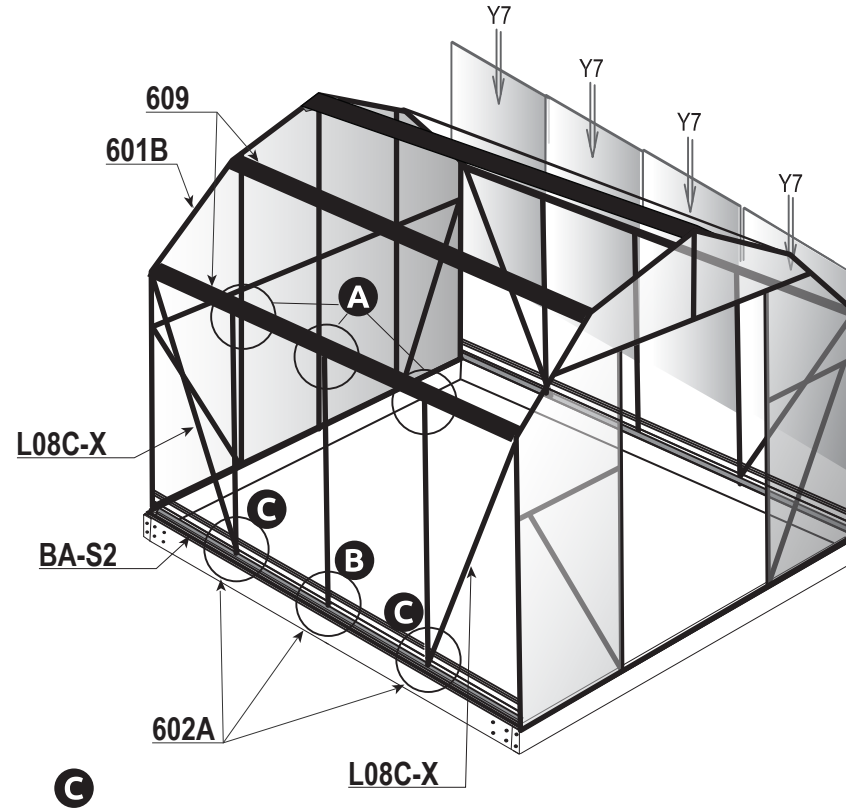
**4.12** Before you attach the **602A's** to the sides of the greenhouse you will need to loosen the **ML01** (nut) attached to the **L08C-X** and the base. See diagram **C**.

**1.** Once the bottom of one **L08C-X** is loosened set the **602A** onto the bolt of the the **L08C-X**. Be sure that the **602A** is sitting flush on top of the base kit. See **C** for reference.

**2.** Hold the **602A** in place and attach the top of the **602A** to the **609** using **S04/ML01** (nut and bolt). As shown in **A**.

**3.** Repeat steps **1.** and **2.** on all four corners where the **L08C-X** 's meet the base kit.

**4.** Now attach the bottom of **602A** to the **Base** using a **S04/ML01** (nut and bolt) as shown in **B**, and to the **609** with an **S04/ML01** combo as is shown in **A**.

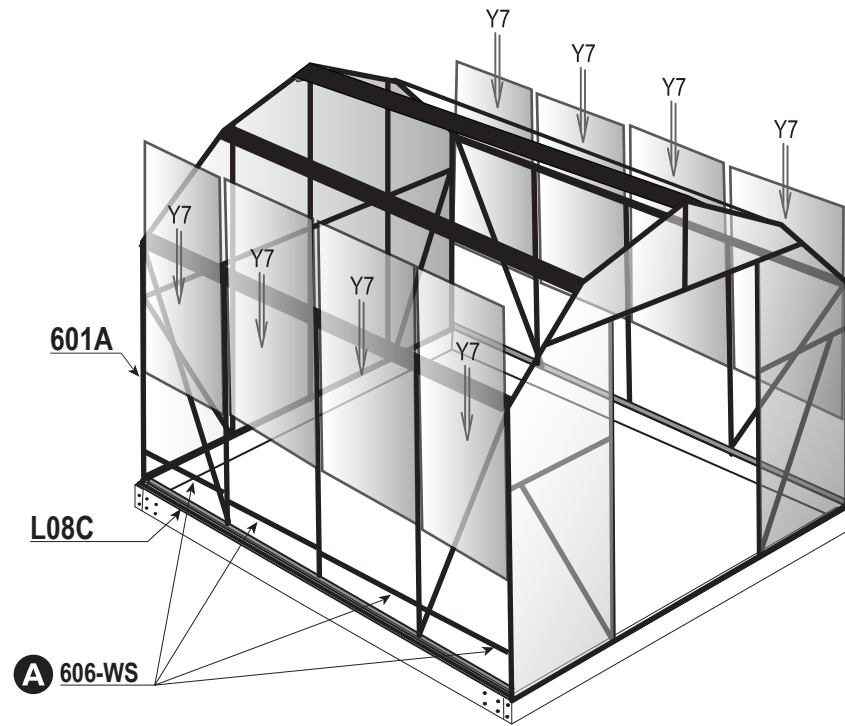


Loosen only one L08C-X at a time.

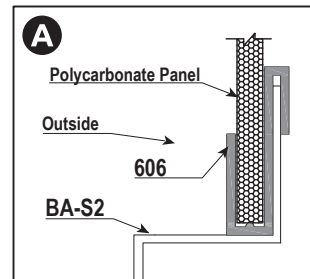
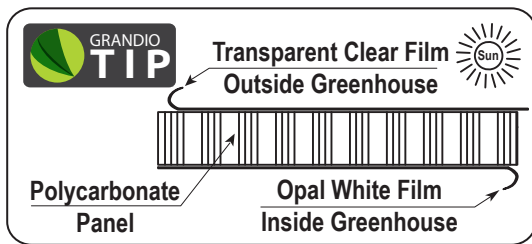
# MIDDLE ASSEMBLY CONTINUED

**4.13** Install plastic strip **606-WS** before inserting polycarbonate sheet **Y7**'s, see **A**.

**4.14** After **Y7**'s are installed on both sides, loosen bolts attached to **L08C-X** in all upper corners. Using a level, adjust **602A** and tighten bolts. Repeat in every corner until the greenhouse is plumb. The top edges of **Y7**'s will align when greenhouse is level or plumb.



STEP FOUR

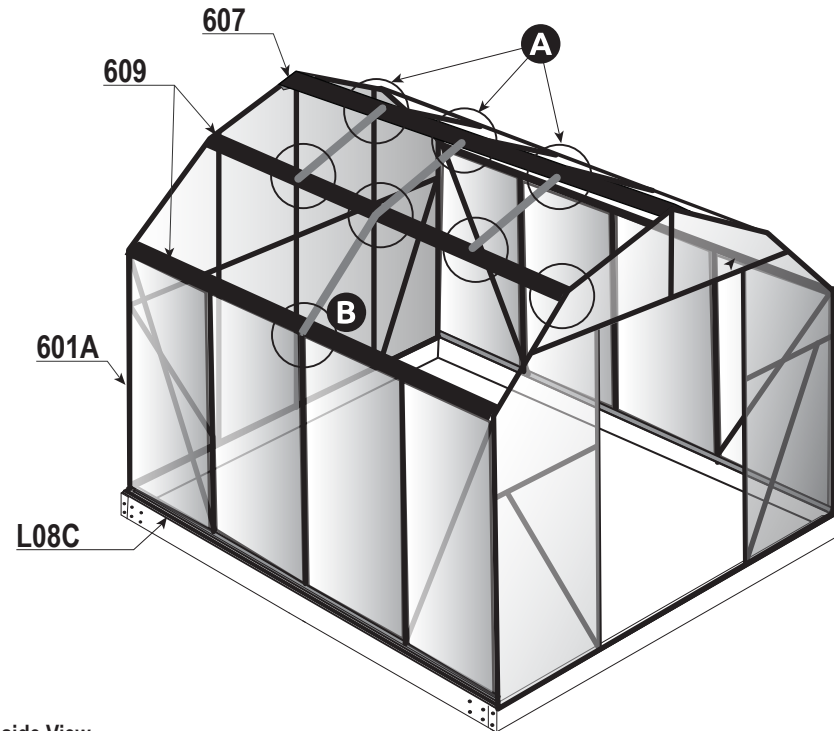


# MIDDLE ASSEMBLY CONTINUED

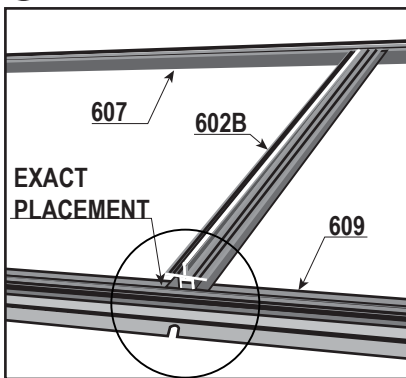
**4.15** Attach **602B's** to **609's** and **607's** as shown in diagram **A** on both sides of the upper roof section. Note the exact placement on the outside see **A**.

Attach (1) **602B** between the (2) **609's**, in the middle only on both sides of roof. **Do not** attach remaining **602B's** to lower roof section until roof vents are attached, see **B**.

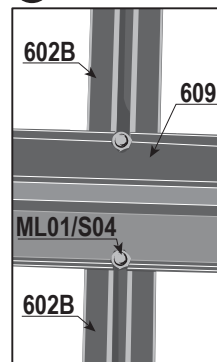
STEP FOUR



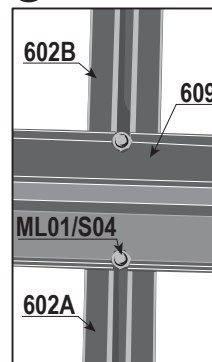
**A** Outside View



**A** Inside View



**B** Inside View

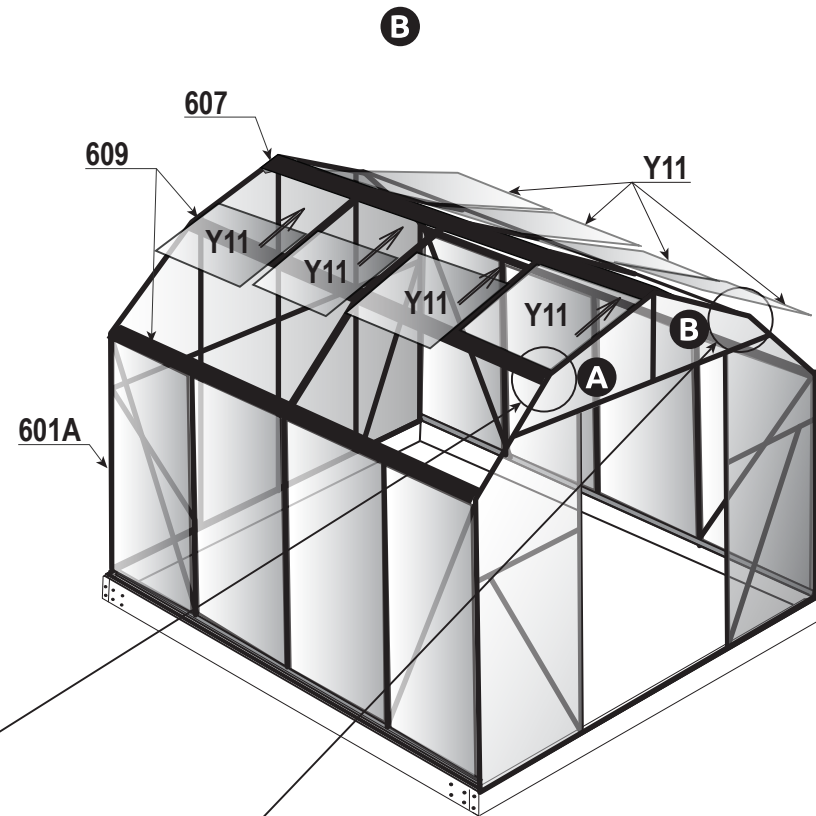




# MIDDLE ASSEMBLY CONTINUED

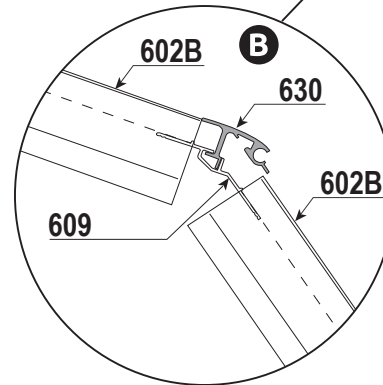
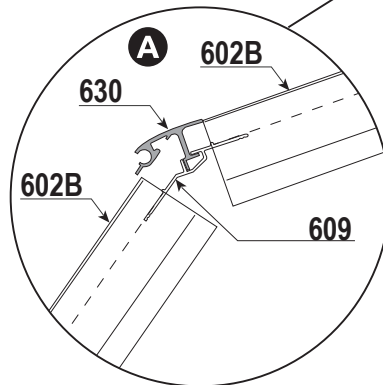
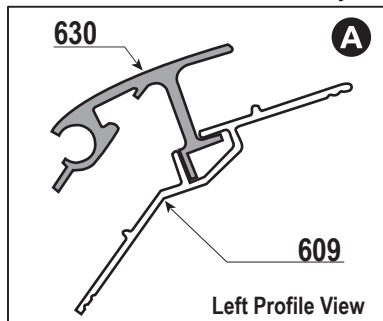
**4.16** Insert **Y11** panels to upper roof section then slide the **630** into the groove of the upper **609** as shown to hold **Y11**'s in place. See **A** and **B**. Note that you may need to loosen the bottoms of some of the **602B**'s to slide the **630** into place as the fit is very tight. Check that all nut and bolt combos are tightened again after installation of **630**.

**4.17** It is recommended to apply silicone caulk to the exterior seams on the bottom and sides of each panel, where panels meet the frame for water resistance, or see the Moisture Control Kit on our website to maintain panel clarity. The interior and top of each panel is protected so it is recommended that you leave them un-caulked allowing the panels to breathe.

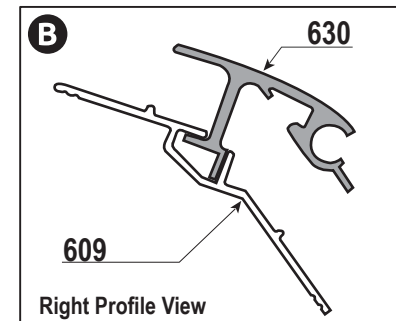


STEP FOUR

The two profiles should be flush at ends when installed correctly.



The two profiles should be flush at ends when installed correctly.

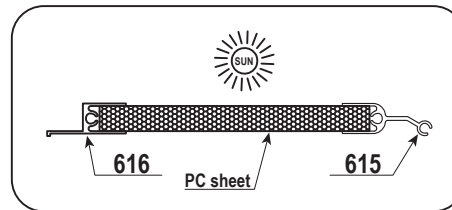
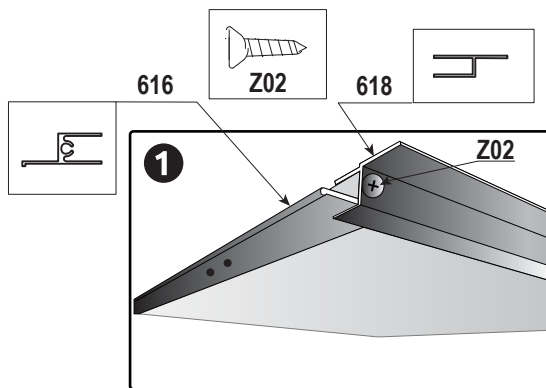
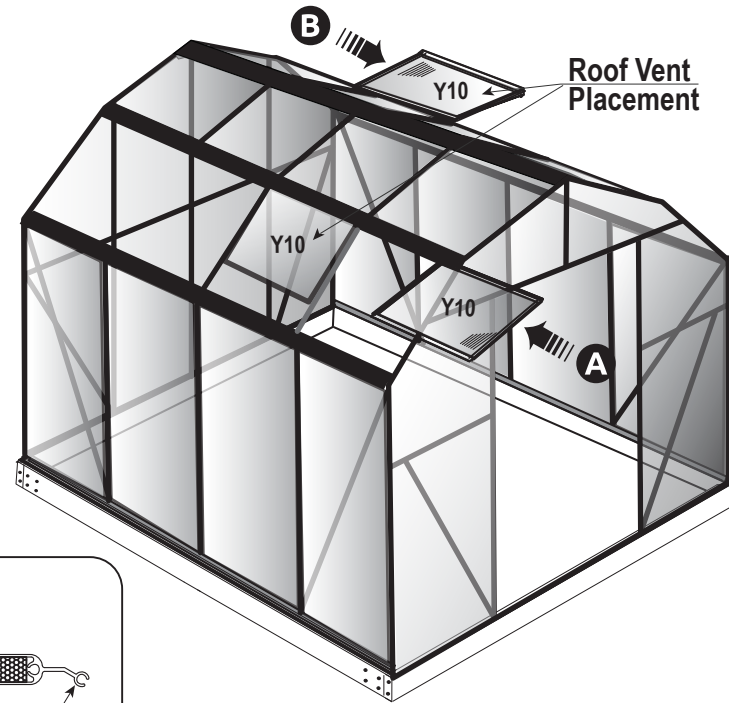


# MIDDLE ASSEMBLY CONTINUED

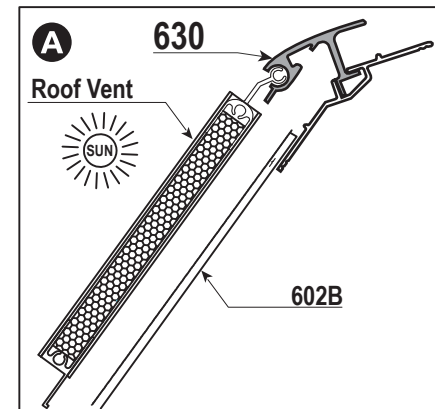
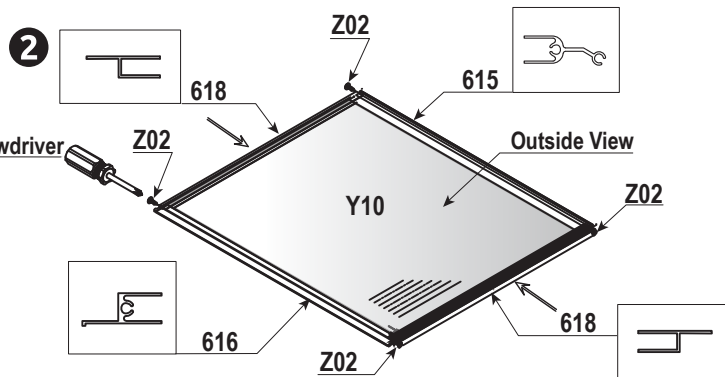
**4.18** Assemble the roof window vents as shown below in **1** and **2**, using the **Z02** screws attach the **615**, **616**, and **618**'s with the **Y10** panel as shown, be careful not to strip the screw heads. Pay attention to the **Y10** panel, stickers face the sun.

**STEP FOUR**

**4.19** Insert assembled window into the end of ridge of **630** and slide into position. See **A**. Window positions are your discretion however, must be in the middle for support, do not place nearest the front or back as you will need a **602B** support to keep in window vent in place. Place directly across from each other for best cross draft ventilation, see **B** for optional placement.



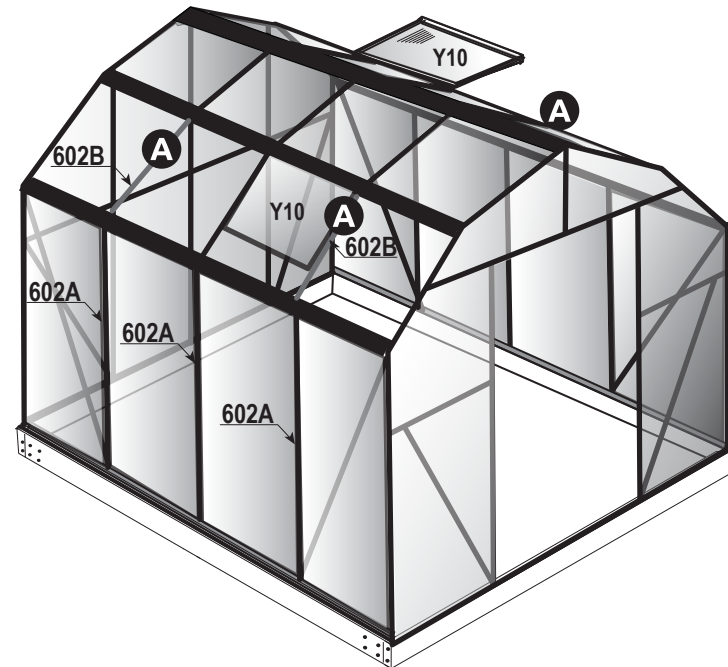
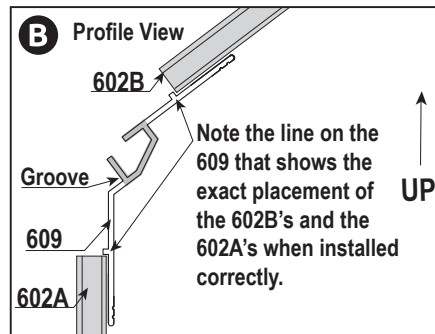
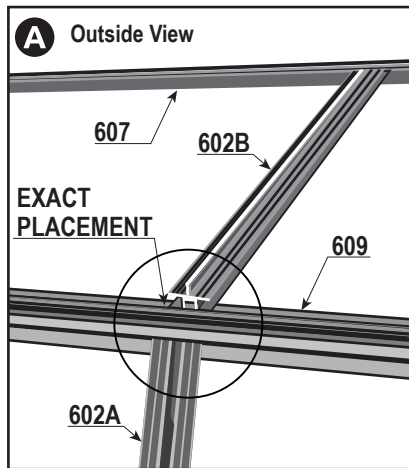
**Note Correct Orientation**



**GRANDIO TIP** Place roof windows in desired location before attaching all **602B**'s.

# MIDDLE ASSEMBLY CONTINUED

**4.20** After roof vents are positioned, attach all remaining **602B**'s between the (2) **609**'s as shown in the image **A** and **B**.



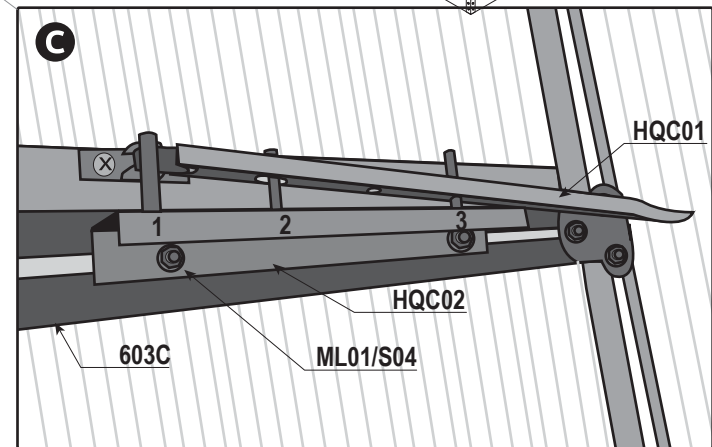
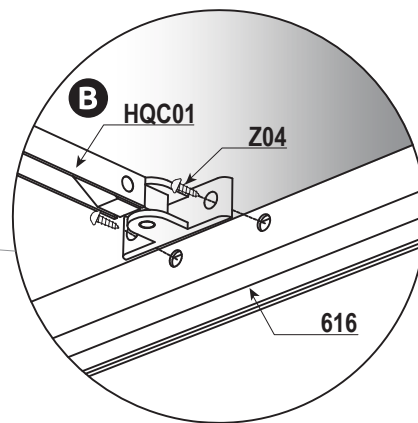
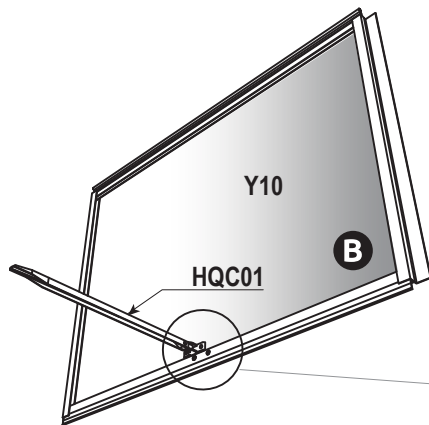
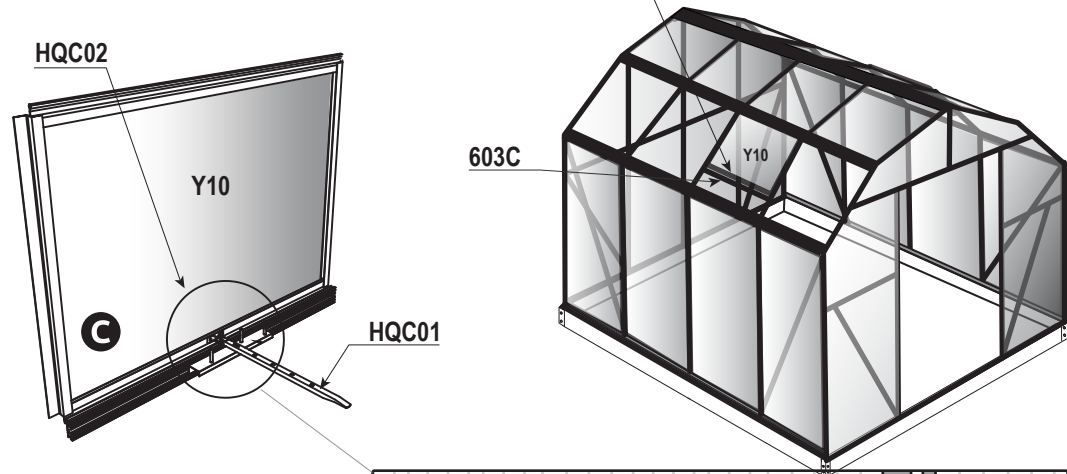
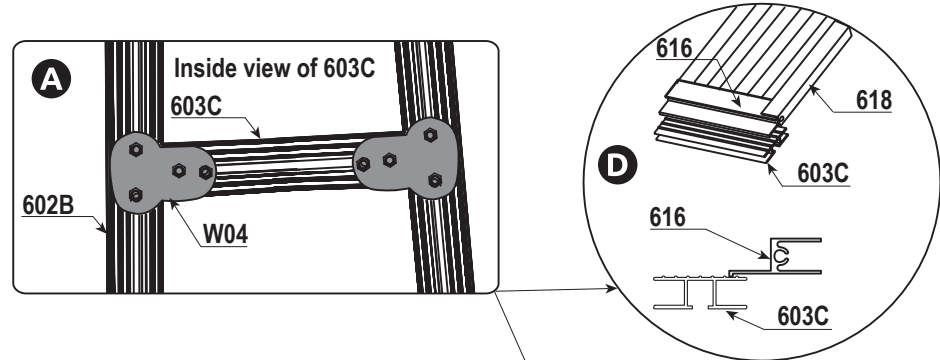
STEP FOUR

# MIDDLE ASSEMBLY INSTRUCTIONS CONTINUED

**4.21** To ensure there is no gap in roof vent position **603C** as shown in **D**. Connect **603C** to middle of **602B**'s using **W04** bracket as shown in **A**.

**4.22** Attach **HQC01** to **616** with the **Z04** screws see **B**, close roof vent and attach the handle onto **HQC02** middle pin (the first two holes of the handle to the second and third pins of **HQC02**). Then attach **HQC02** into **603C**'s track with **S04/ML01** (nuts and bolts), see **C**.

**Note:** If you are installing automatic roof vent openers follow those directions for correct installation. SAVE MANUAL OPENERS FOR WINTER SWITCHOUT.



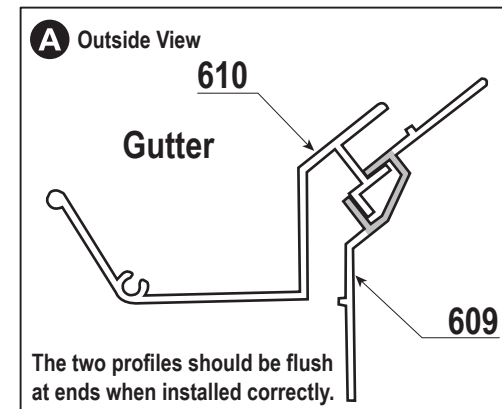
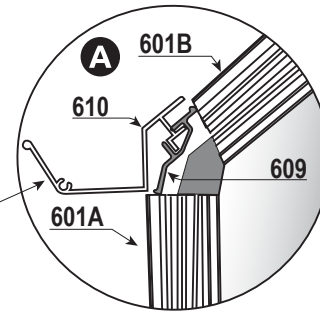
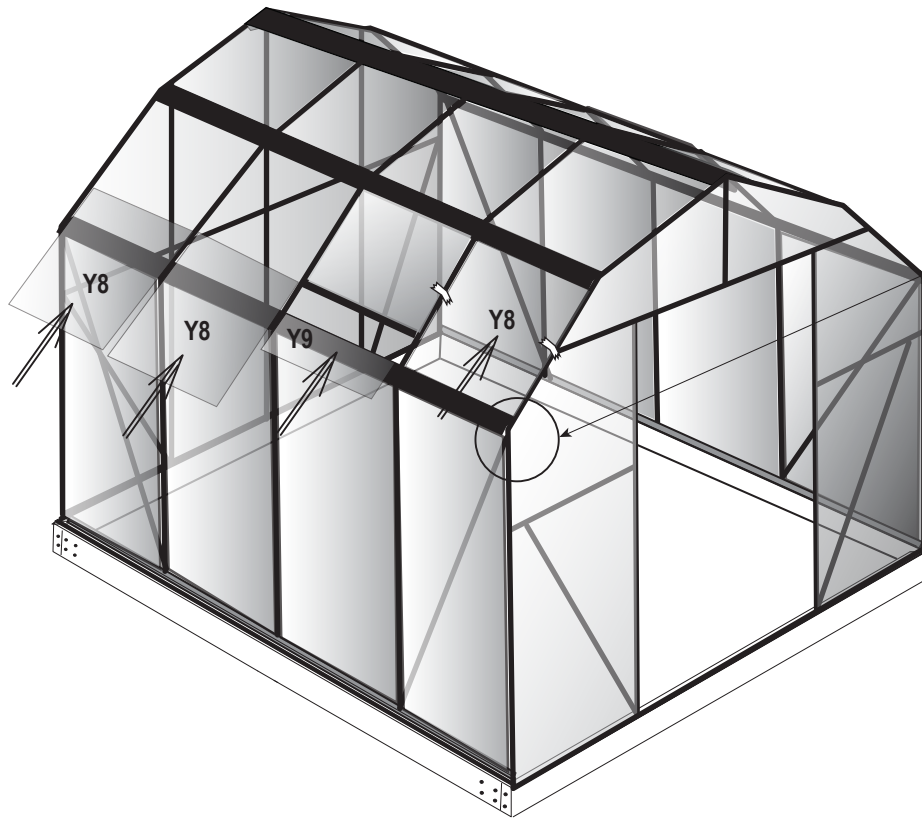
STEP FOUR

# MIDDLE ASSEMBLY INSTRUCTIONS CONTINUED

**4.23** Insert polycarbonate sheets **Y8's** and **Y9's** into the lower roof of your greenhouse. Panels may slide out before gutters are in place. You may want to place a piece of tape on the panel to prevent sliding as shown below once the panels are in place.

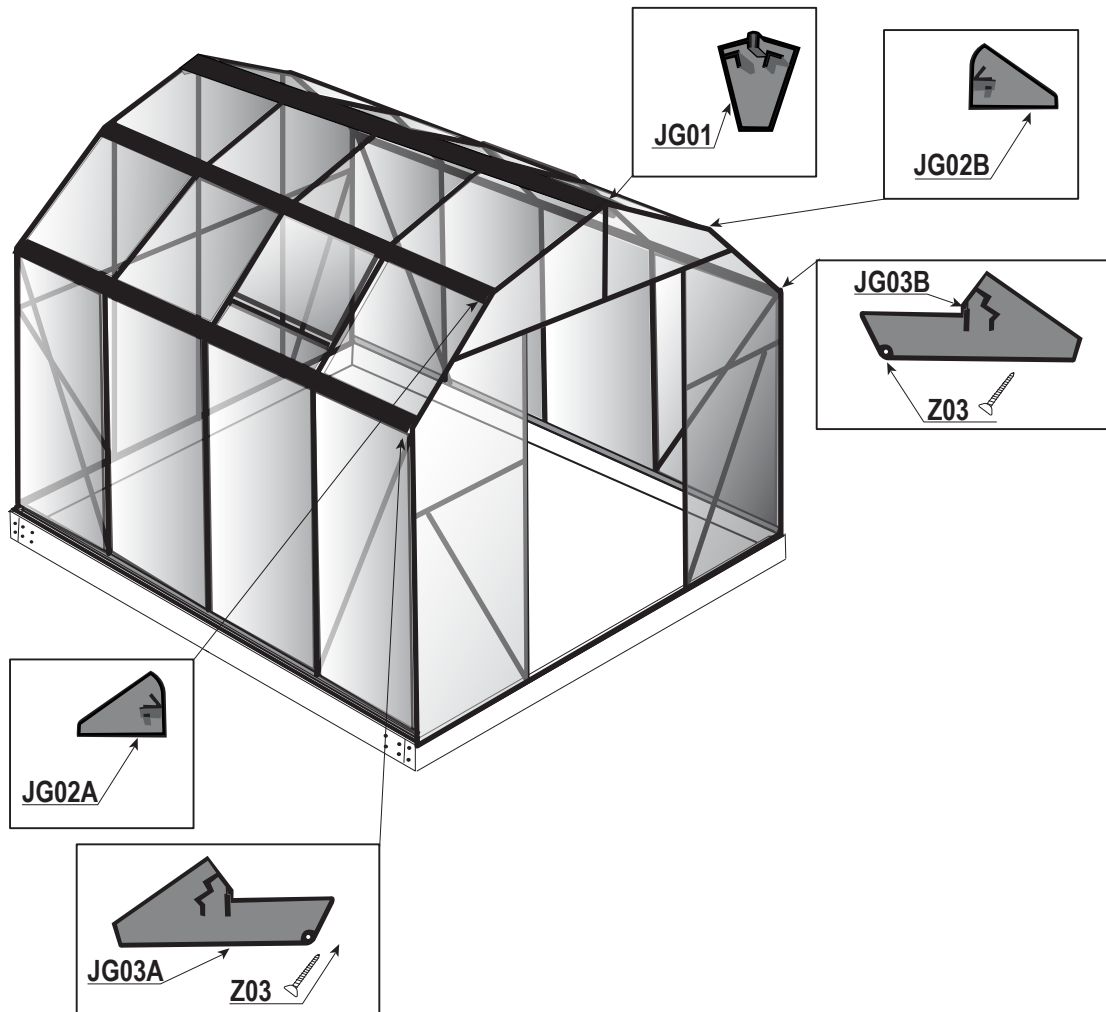
**4.24** Slide **610** into **609's** groove as shown in diagram **A**. Repeat on both sides. Remove tape after gutter is fully installed.

## STEP FOUR

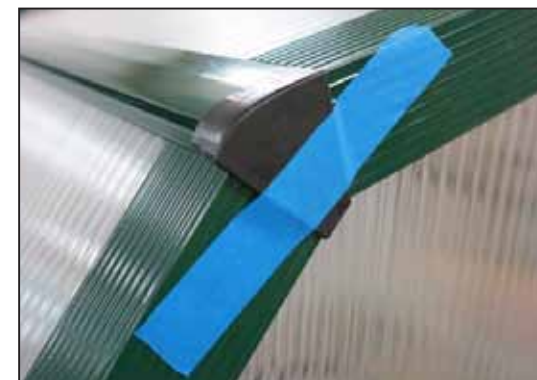


# MIDDLE ASSEMBLY INSTRUCTIONS CONTINUED

**4.25** Attach **JG01**, **JG02A**, **JG02B**, **JG03A** and **JG03B** end caps to the ridge, midroof and gutters on both front and back as shown below. Squeeze a small amount of rubberized silicone into the ends of ridge, mid roof, and gutters to secure pressure fit end caps. As shown in images to the right. Use **Z03** screws to attach the **JG03A** and **JG03B** endcaps along with the silicone adhesive.



The two profiles should be flush at ends when installed correctly.



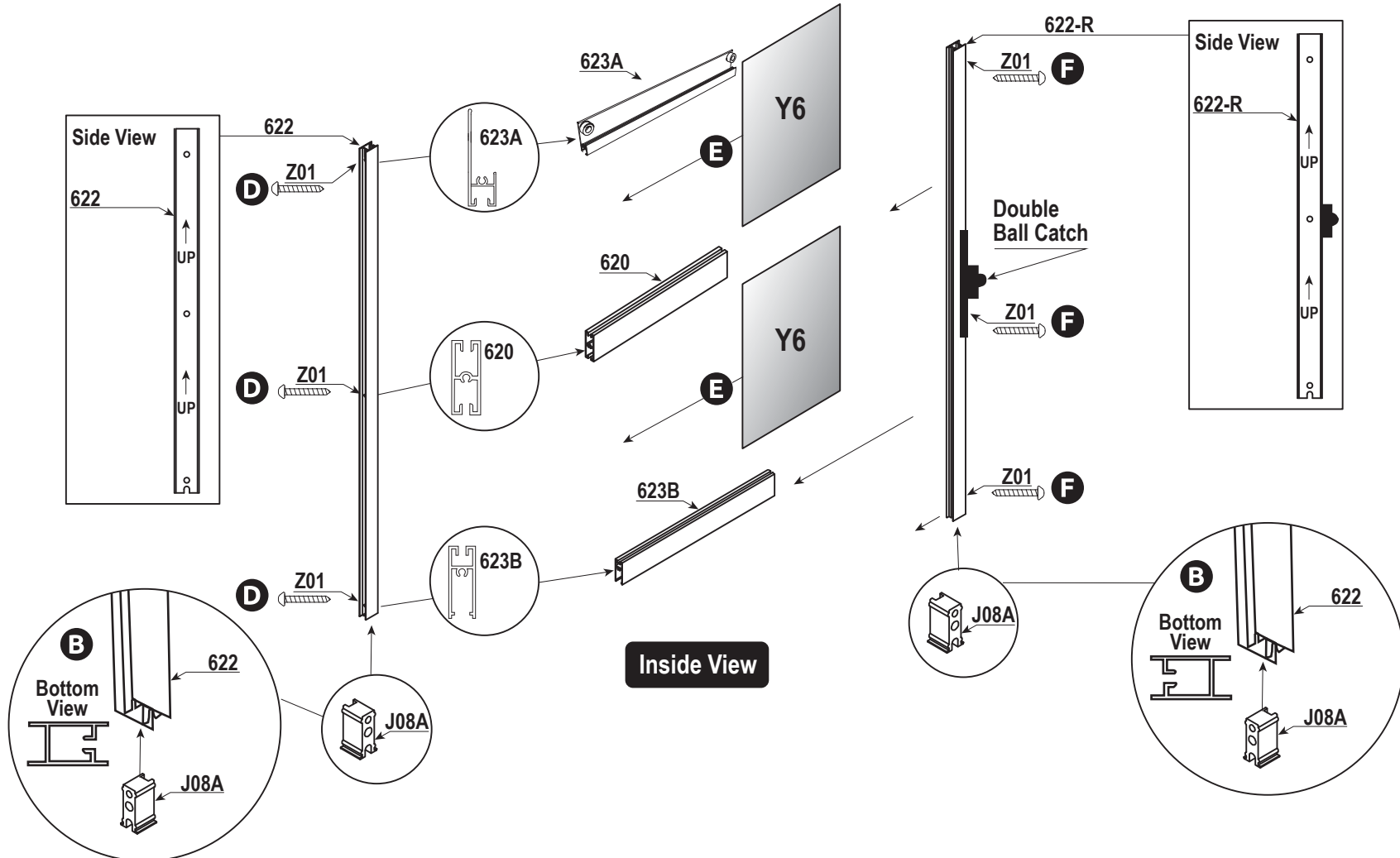
STEP FOUR

# DOOR ASSEMBLY DIAGRAM

This image shows the inside view of Right Door Assembly.  
 All parts for door assembly will be found in box GRA-ELI-8A and GRA-ELI-8P.

Use the #2 head Phillips Screw Driver for installation.

If you are using the Back Door Transformation kit you will repeat steps 5.1-5.11 to install the Back Door, these parts will be found in box GRA-ELI-BD.



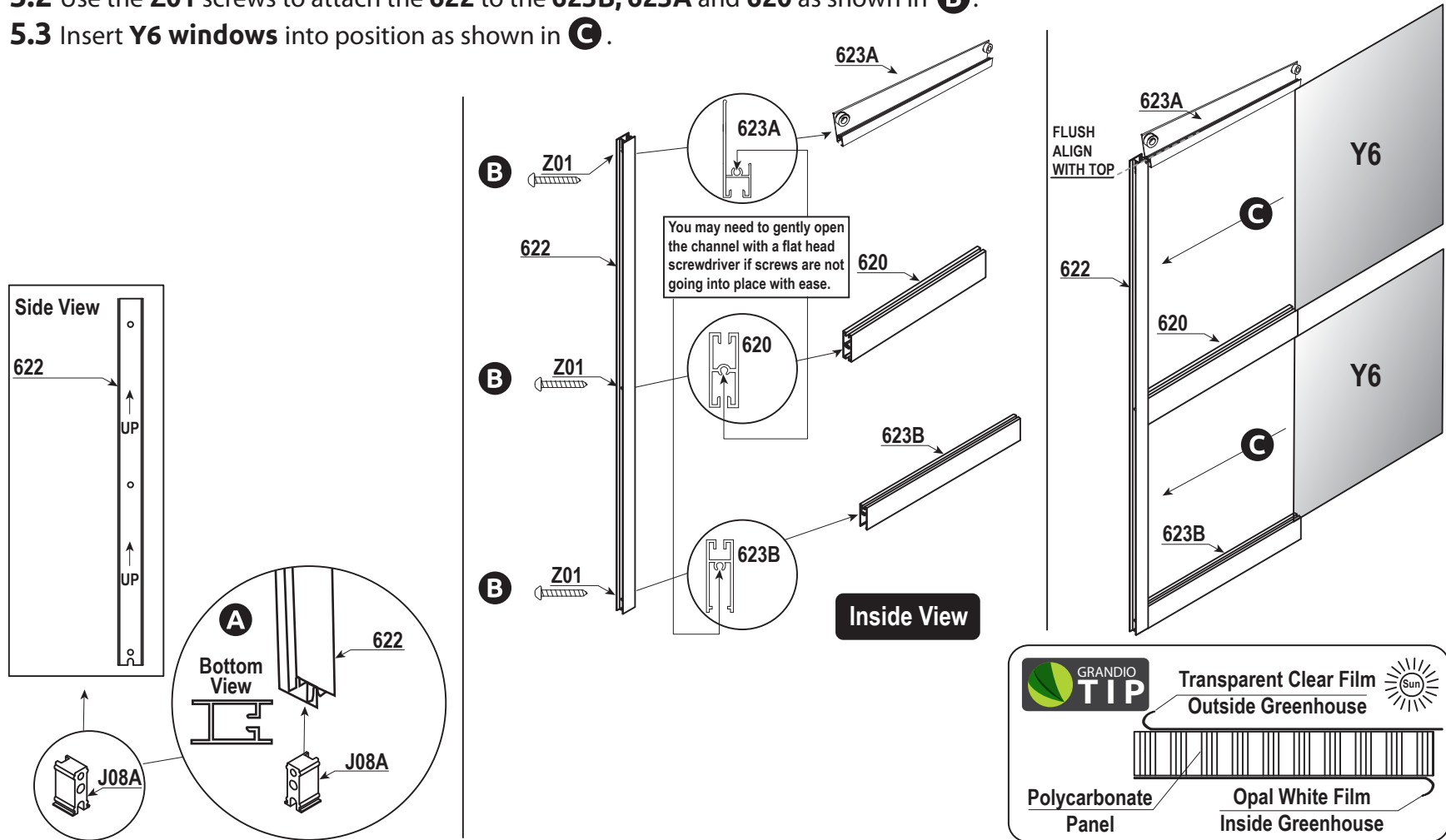
# DOOR ASSEMBLY

We recommend you lay out all parts for both doors to make sure they match up correctly for hanging. Double check the orientation of what is inside versus outside and how the doors will hang on page 42-43. Make sure window panels face the right direction to the sun and note that the panels have predrilled holes for the handles to attach later and these need to be aligned with the lock mechanisms. This will save you from assembling the wrong way. Be careful not to strip the phillips heads when assembling.

**5.1** Insert **J08A** into the bottom of the **622**, note the bottom groove is smaller than the top groove of **622**, see **(A)**.

**5.2** Use the **Z01** screws to attach the **622** to the **623B**, **623A** and **620** as shown in **(B)**.

**5.3** Insert **Y6 windows** into position as shown in **(C)**.



STEP FIVE

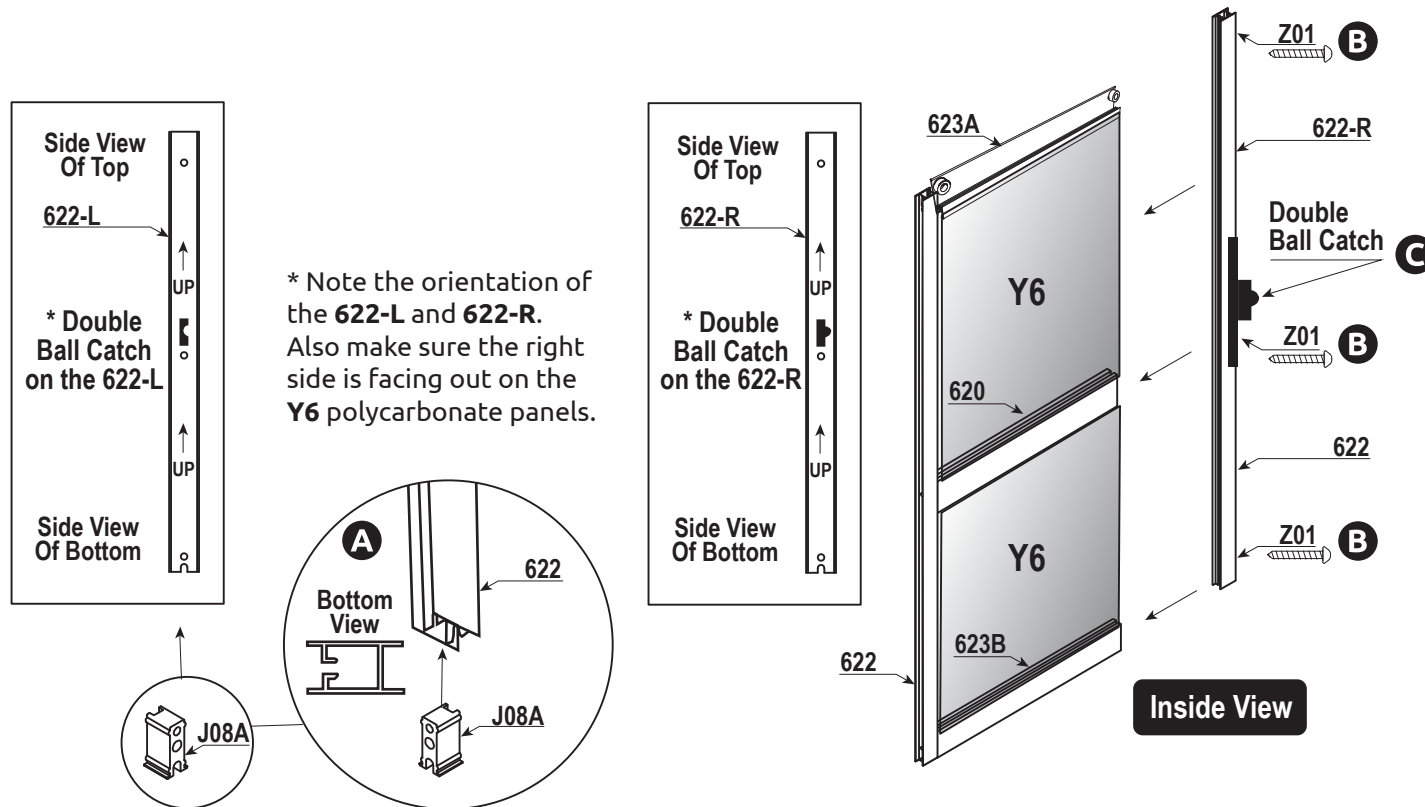


# DOOR ASSEMBLY

**5.4** Insert **J08A** into the bottom of the **622-R** and **622-L**, note the bottom has a groove see **A**.

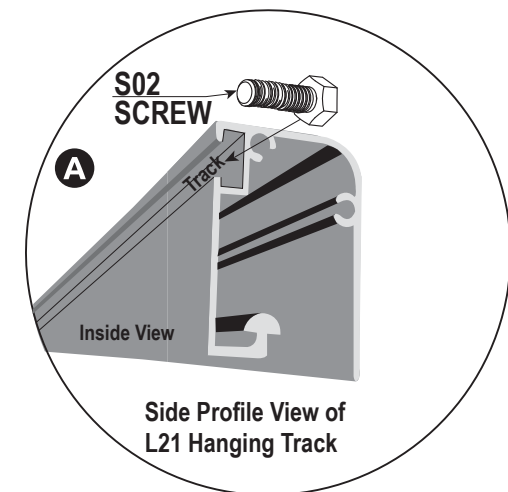
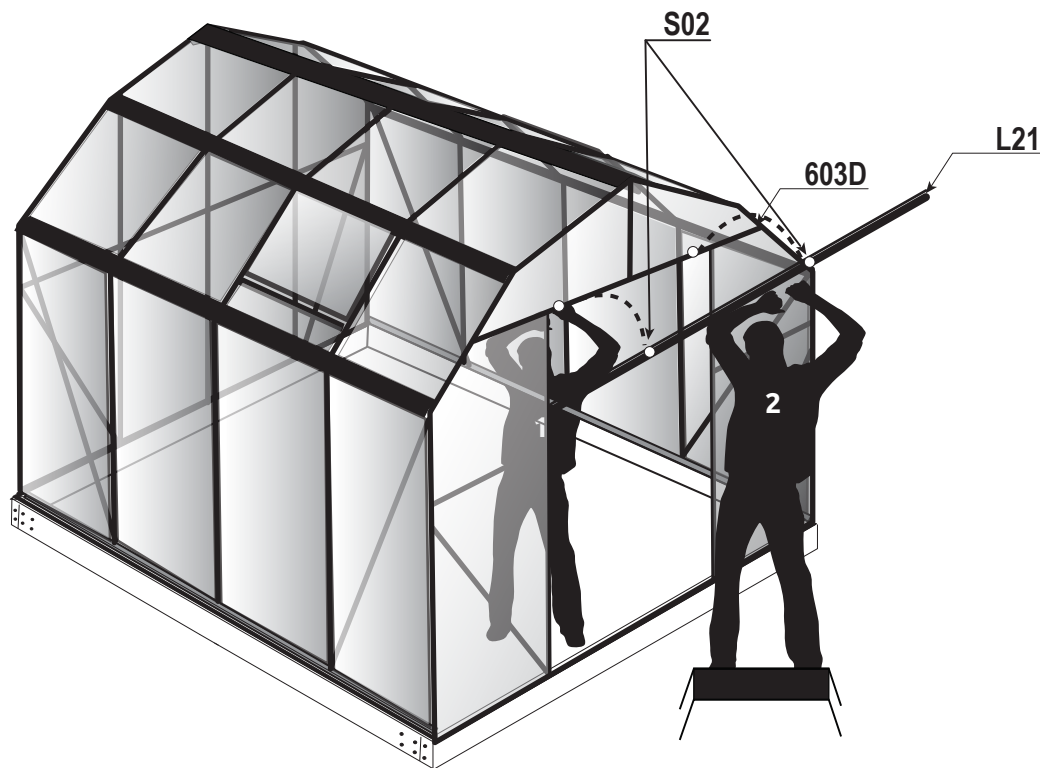
**5.5** Attach the **622-R** to the **623B**, **623A** and **620** using the **Z01** screws as shown in **B**.

**5.6** Follow the same instructions for the other door making sure that the **622-L** and **622-R** with the double ball catch match up so doors will latch closed and slide properly **C**.



# DOOR ASSEMBLY

**5.7** Slide the (2) **S02** bolts down the track of the **L21**, see **A**. Align with the holes on the **603D** door header. With one person inside the greenhouse line up hanging door track **L21** with door header **603D**, move bolts on **L21** to line up with bolt holes on door header **603D**. From the inside hand tighten the **ML01** nut while the person outside is holding the **L21** in position, you will now center on the front of the greenhouse and tighten the **S02/ML01** combo.

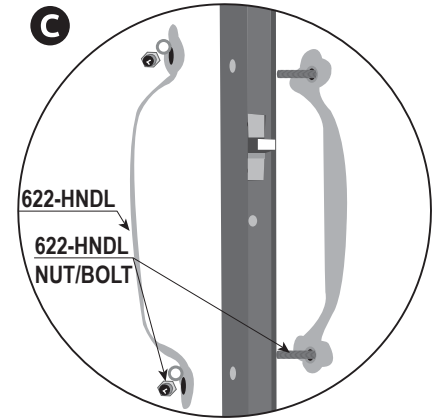
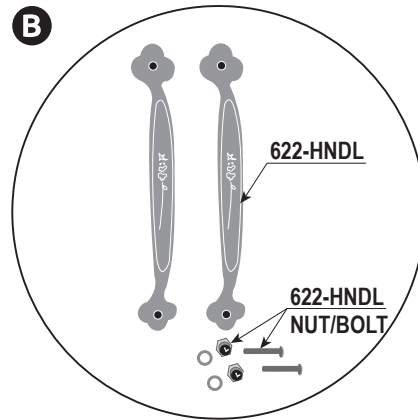
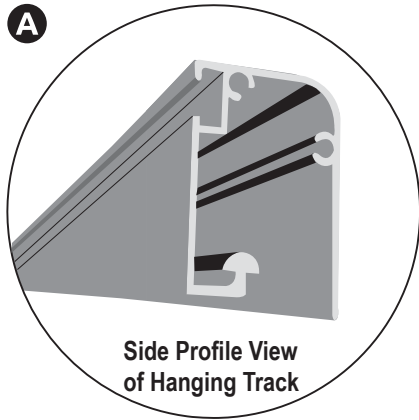
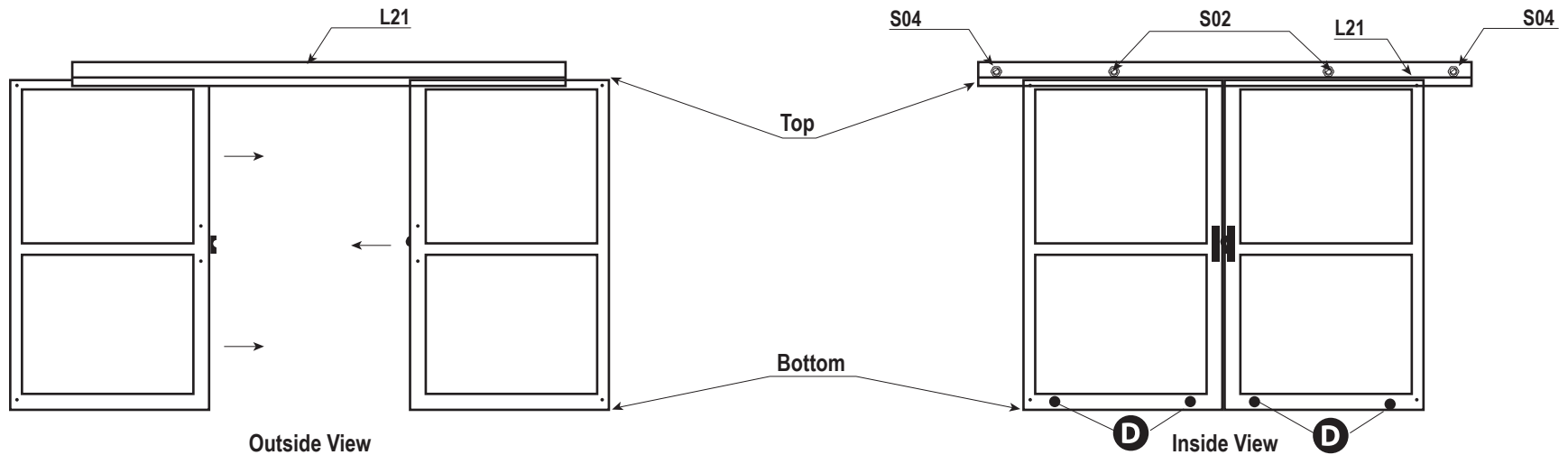


# DOOR INSTALLATION

**5.8** Separately slide the top of the doors in the left and right side of **L21**, see diagram **A**, until they latch in the middle.

**5.9** Attach the door handles **622-HNDL** to both doors using the **622-HNDL-NUT/BOLT** provided to both doors as shown below in **B**, and **C**.

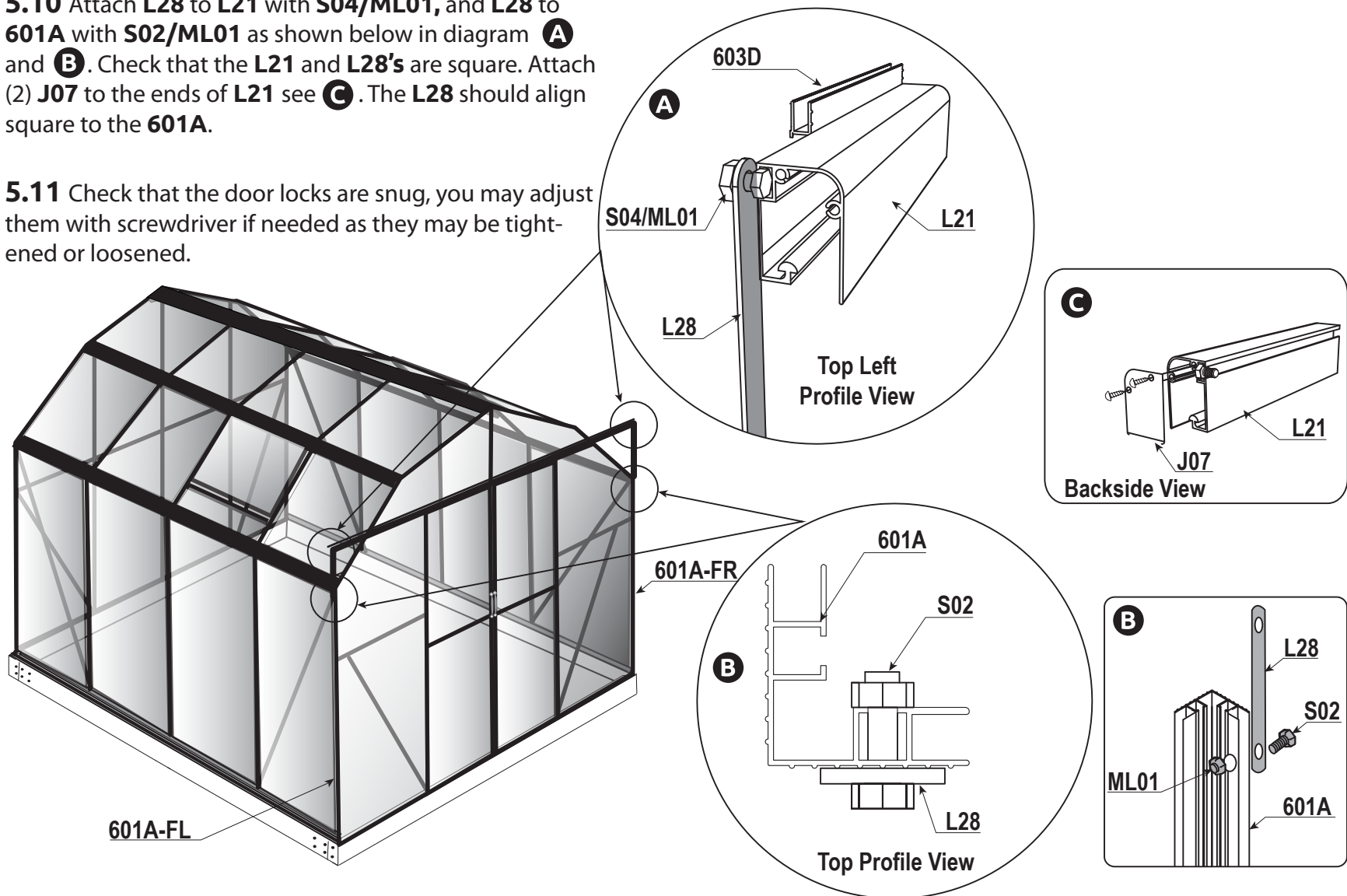
\*\*We included some felt dots in your Grandio Welcome Kit, please apply to the inside bottom edge of the **623B** as shown in **D**, these felt dots will make your doors fit snug and slide smoothly.



# DOOR INSTALLATION

**5.10** Attach **L28** to **L21** with **S04/ML01**, and **L28** to **601A** with **S02/ML01** as shown below in diagram **A** and **B**. Check that the **L21** and **L28**'s are square. Attach (2) **J07** to the ends of **L21** see **C**. The **L28** should align square to the **601A**.

**5.11** Check that the door locks are snug, you may adjust them with screwdriver if needed as they may be tightened or loosened.



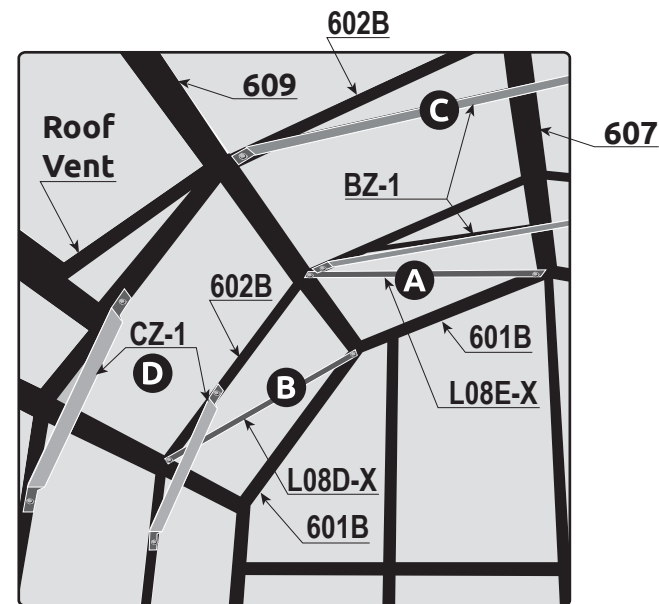
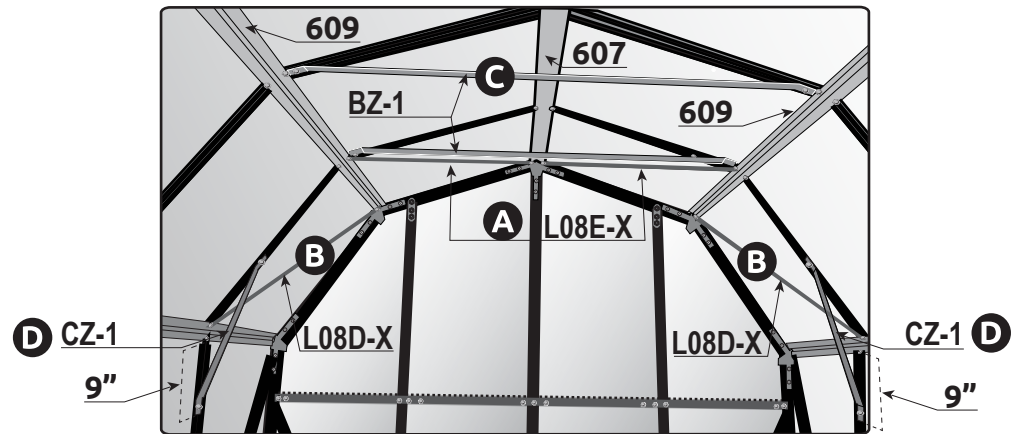
# INTERIOR ROOF SUPPORT ASSEMBLY

**6.1** Attach the **L08E-X** to the upper roof section as shown with **S04/ML01** fasteners already in place where the **607** meets the **601B**, and the **609** and the **602B** meet see **A**.

**6.2** Attach the **L08D-X** to the rear lower roof section where **S04/ML01** fasteners are already in place where the **609** and the **602B** meet, and the **609** and the **601B** meet see **B**.

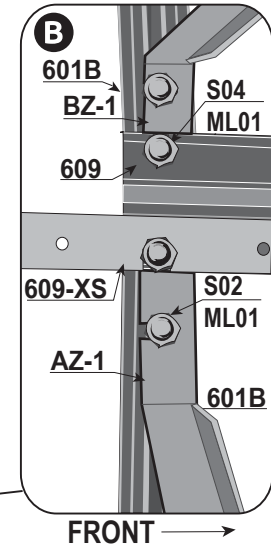
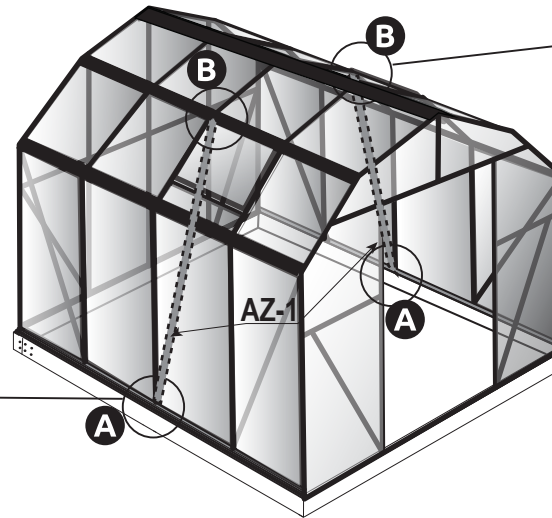
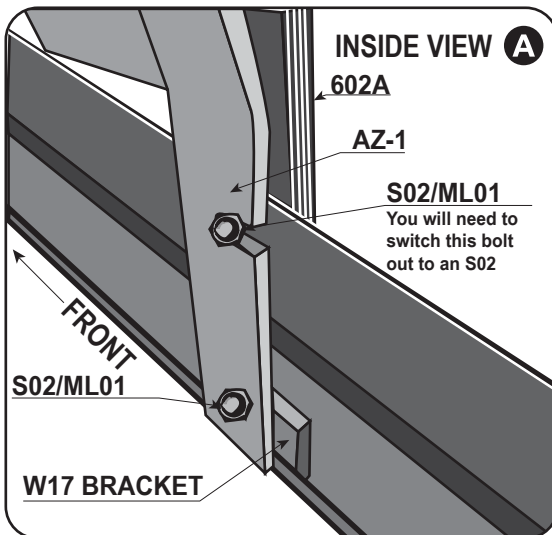
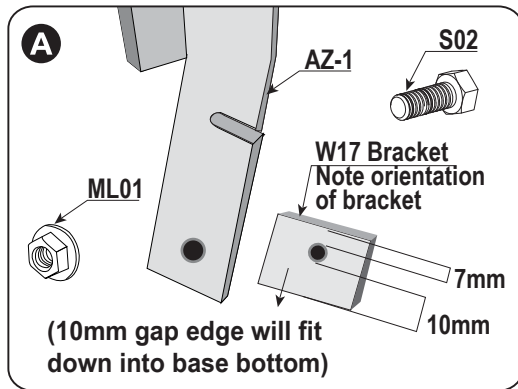
**6.3** Attach the **BZ-1**'s to the roof line as shown in diagram **C** with the **S04/ML01**. The edge of the **BZ-1** should meet up to the edge of **609** exactly.

**6.4** Use **CZ-1**'s to support the interior wall at the eave using the **S04/ML01**. See diagram **D**. We suggest that you measure down **9"** and mark it with a pencil so the base of the **CZ-1** will meet there.



**6.5** With two people attach the **AZ-1** to the **W17** to the base and the lower **602A**, see **A**. Then attach the upper end to the mid roof line touching the **609** see **B** for exact placement. Install on both sides of the greenhouse in the middle using the **S02/ML01** combo.

**You may remove all stickers now with Goo Gone if needed. Double check all nut and bolt combos are tight and that there are no left over parts.**


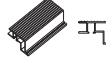
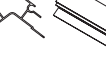



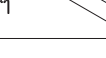


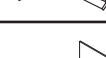
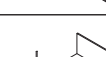



**CONGRATULATIONS YOU DID IT!!**

**STEP SIX**

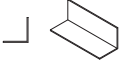
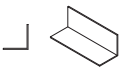
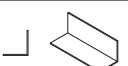
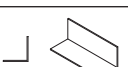
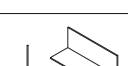
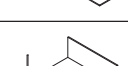
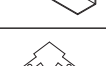

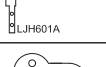


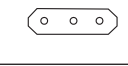
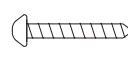
## (GRA-ELI-8A) 8x8 GRANDIO ELITE ALUMINUM PACKING LIST

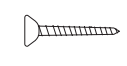


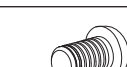




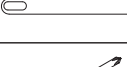

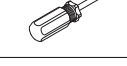
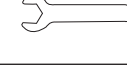
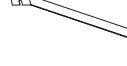
| GRAPHIC   | PART NAME                        | SIZE/LOCATION                              | QUANTITY |
|---|----------------------------------|--|----------|
|    | 601A-B                           | 56 9/16 in / 1437 mm<br>BACK CORNERS       | 2        |
|    | 601A-FL                          | 56 9/16 in / 1437 mm<br>FRONT LEFT CORNER  | 1        |
|    | 601A-FR                          | 56 9/16 in / 1437 mm<br>FRONT RIGHT CORNER | 1        |
|    | 601B                             | 29 7/16 in / 748 mm<br>CORNER ROOF         | 8        |
|    | 602A                             | 56 9/16 in / 1437 mm                       | 6        |
|    | 602B                             | 29 7/16 in / 748 mm                        | 12       |
|    | 602C                             | 90 1/2 in / 2299 mm                        | 1        |
|   | 602D-R                           | 83 1/4 in / 2115 mm                        | 1        |
|  | 602D-L                           | 83 1/4 in / 2115 mm                        | 1        |
|  | 603C                             | 21 7/8 in / 555 mm                         | 8        |
|  | 603D                             | 72 3/16 in / 1833 mm                       | 1        |
|  | 603E                             | 18 1/4 in / 463 mm                         | 1        |
|  | 619 PACK<br>619-BAR<br>S19 SCREW | 94 1/4 in / 2394 mm                        | 1        |

| GRAPHIC   | PART NAME | SIZE/LOCATION                      | QUANTITY |
|---|-----------|------------------------------------|----------|
|    | 604-R     | 70 3/4 in / 1797 mm<br>FRONT RIGHT | 1        |
|    | 604-L     | 70 3/4 in / 1797 mm<br>FRONT LEFT  | 1        |
|    | 607       | 94 1/4 in / 2394 mm                | 1        |
|    | 606-WS    | 21 3/4 in / 553 mm                 | 14       |
|    | 609       | 94 1/4 in / 2394 mm                | 4        |
|    | 610       | 94 3/8 in / 2397 mm                | 2        |
|    | 615       | 22 3/4 in / 578 mm                 | 2        |
|   | 616       | 22 3/4 in / 578 mm                 | 2        |
|  | 618       | 19 11/16 in / 500 mm               | 4        |
|  | 630       | 94 3/8 in / 2397 mm                | 2        |
|  | L08A      | 94 1/4 in / 2394 mm                | 1        |
|  | L08B      | 94 1/4 in / 2394 mm                | 1        |

NOTE THESE ARE  
PACKED TOGETHER




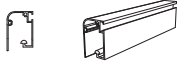
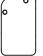

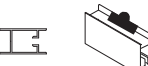
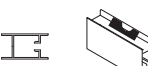
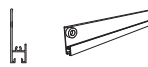

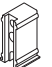
## (GRA-ELI-8A) 8x8 GRANDIO ELITE ALUMINUM PACKING LIST





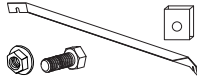
| GRAPHIC   | PART NAME | SIZE/LOCATION                    | QUANTITY |
|---|-----------|----------------------------------|----------|
|    | L08D      | 24 3/16 in / 614 mm              | 2        |
|    | L08A-X    | 52 1/4 in / 1327 mm              | 2        |
|    | L08B-X    | 51 3/16 in / 1300 mm             | 2        |
|    | L08C-X    | 61 1/32 in / 1550 mm             | 4        |
|    | L08D-X    | 37 13/16 in / 960 mm             | 4        |
|    | L08E-X    | 38 11/16 in / 957 mm             | 4        |
|    | WG01      | FRONT & BACK                     | 2        |
|    | WG02      | FRONT & BACK                     | 8        |
|   | W04       | ROOF LINE                        | 5        |
|  | W04-1     | BACK WALL                        | 2        |
|  | W04-2     | CONNECTOR                        | 4        |
|  | Z01       | M4*30<br>SCREWS FOR DOORS        | 13       |
|  | Z02       | M4.6*16<br>SCREWS FOR ROOF VENTS | 9        |

| GRAPHIC   | PART NAME     | SIZE/LOCATION                     | QUANTITY |
|---|---------------|-----------------------------------|----------|
|    | Z03           | M3*25                             | 4        |
|    | S02           | M6*20                             | 6        |
|    | ML01/S04      | M6*14                             | 150      |
|    | S05           | M6*10<br>SCREWS FOR WG01 AND WG02 | 45       |
|    | Z04, S04/ML01 | ROOF VENT HARDWARE                | 4        |
|    | HQC01         | ROOF VENT ARM                     | 2        |
|    | HQC02         | ROOF VENT LATCH                   | 2        |
|    | L28           | 19 9/16 in / 497 mm               | 2        |
|   | W11           | MULTI-DRIVER                      | 1        |
|  | W13           | 10 MM NUT DRIVER                  | 1        |
|  | W16           | 10 MM WRENCH                      | 1        |
|  | BZ-1          | 56 1/2 in / 1435 mm               | 3        |
|  | CZ-1          | 23 5/8 in / 600 mm                | 6        |





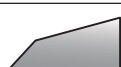
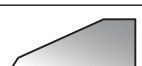











**(GRA-ELI-8A) 8'x8' GRANDIO ELITE ALUMINUM PACKING LIST**

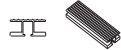

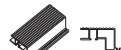
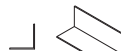
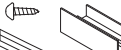





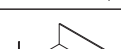

| GRAPHIC   | PART NAME         | SIZE/LOCATION         | QUANTITY |
|---|-------------------|-----------------------|----------|
|    | 622-HNDL          | DOOR HANDLES          | 4        |
|    | 622-HNDL NUT/BOLT | DOOR HARDWARE         | 4        |
|    | 620               | 21 7/16 in / 545 mm   | 2        |
|    | L21               | 95 1/2 in / 2425 mm   | 1        |
|    | J07               | L21 END CAP           | 2        |
|    | 622               | 69 11/16 in / 1770 mm | 2        |
|    | 622-L             | 69 11/16 in / 1770 mm | 1        |
|    | 622-R             | 69 11/16 in / 1770 mm | 1        |
|   | 623A              | 21 7/16 in / 545 mm   | 2        |
|  | 623B              | 21 7/16 in / 545 mm   | 2        |
|  | J08A              | DOORS                 | 4        |

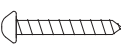



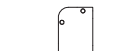
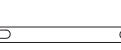
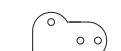








| GRAPHIC   | PART NAME           | SIZE/LOCATION                         | QUANTITY |
|---|---------------------|---------------------------------------|----------|
|  | S10                 | M6*16 ATTACHES 619 TO BASE            | 10       |
|  | JG01                | RIDGE END CAP                         | 2        |
|  | JG02 A/B            | MID ROOF END CAP                      | 2/2      |
|  | JG03 A/B            | GUTTER END CAP                        | 2/2      |
|  | AZ-1 / W17 S02/ML01 | 86 1/4 in / 2190 mm EXTENSION SUPPORT | 2        |

## (GRA-ELI-8P) 8'x8' ELITE PANEL BOX PACKING LIST

| GRAPHIC   | NAME | SIZE/LOCATION      | WIDTH              | HEIGHT 1              | HEIGHT 2              | QTY |
|---|------|--------------------|--------------------|-----------------------|-----------------------|-----|
|    | Y1   | FRONT & BACK PANEL | 22 3/4 in / 578 mm | 47 5/16 in / 1202 mm  |                       | 6   |
|    | Y2-1 | FRONT PANEL        | 22 3/4 in / 578 mm | 9 1/16 in / 230 mm    | 23 in / 585 mm        | 1   |
|    | Y2-2 | FRONT PANEL        | 22 3/4 in / 578 mm | 23 in / 585 mm        | 9 1/16 in / 230 mm    | 1   |
|    | Y3-1 | FRONT PANEL        | 35 1/2 in / 902 mm | 9 15/16 in / 252 mm   | 19 1/8 in / 486 mm    | 1   |
|    | Y3-2 | FRONT PANEL        | 35 1/2 in / 902 mm | 19 1/8 in / 486 mm    | 9 15/16 in / 252 mm   | 1   |
|    | Y4-1 | BACK PANEL         | 22 3/4 in / 578 mm | 9 1/16 in / 230 mm    | 35 3/16 in / 894 mm   | 1   |
|    | Y4-2 | BACK PANEL         | 22 3/4 in / 578 mm | 35 3/16 in / 894 mm   | 9 1/16 in / 230 mm    | 1   |
|    | Y5-1 | BACK PANEL         | 22 3/4 in / 578 mm | 35 7/16 in / 900 mm   | 42 13/16 in / 1087 mm | 1   |
|    | Y5-2 | BACK PANEL         | 22 3/4 in / 578 mm | 42 13/16 in / 1087 mm | 35 7/16 in / 900 mm   | 1   |
|   | Y6   | DOOR PANEL         | 22 3/4 in / 578 mm | 34 in / 864 mm        |                       | 4   |
|  | Y7   | SIDE WALL PANEL    | 22 3/4 in / 578 mm | 57 in / 1447 mm       |                       | 8   |
|  | Y8   | ROOF PANEL         | 22 3/4 in / 578 mm | 30 5/8 in / 778 mm    |                       | 6   |
|  | Y9   | UNDER ROOF VENT    | 22 3/4 in / 578 mm | 8 7/8 in / 225 mm     |                       | 2   |
|  | Y10  | ROOF VENT PANEL    | 22 3/4 in / 578 mm | 19 1/8 in / 486 mm    |                       | 2   |
|  | Y11  | ROOF PANEL         | 22 3/4 in / 578 mm | 30 3/8 in / 772 mm    |                       | 8   |

## (GRA-ELI-BD) GRANDIO ELITE BACKDOOR PACKING LIST

| GRAPHIC   | PART NAME                   | SIZE/LOCATION                           | QUANTITY |
|---|-----------------------------|---|----------|
|    | 603D                        | 72 3/16 in / 1833 mm<br>BACK WALL       | 1        |
|    | 603E                        | 18 1/4 in / 463 mm<br>BACK WALL         | 1        |
|    | 604R                        | 70 3/4 in / 1797 mm<br>FRONT RIGHT DOOR | 1        |
|    | 604L                        | 70 3/4 in / 1797 mm<br>FRONT LEFT DOOR  | 1        |
|    | L08D                        | 24 3/16 in / 614 mm                     | 2        |
|    | 619<br>619-BAR<br>S19 Screw | 94 1/4 in / 2394 mm                     | 1        |
|    | 622                         | 69 11/16 in / 1770 mm                   | 2        |
|    | 622R                        | 69 11/16 in / 1770 mm                   | 1        |
|    | 622L                        | 69 11/16 in / 1770 mm                   | 1        |
|   | 620                         | 21 7/16 in / 545 mm                     | 2        |
|  | 623A                        | 21 7/16 in / 545 mm                     | 2        |
|  | 623B                        | 21 7/16 in / 545 mm<br>FRONT RIGHT      | 2        |
|  | L08A-X                      | 52 1/4 in / 1327 mm<br>CROSS SUPPORT    | 2        |
|  | J08A                        | DOOR                                    | 4        |
|  | 622-DOOR<br>HANDLES         | DOOR HANDLES                            | 4        |

| GRAPHIC   | PART NAME | SIZE/LOCATION                      | QUANTITY |
|---|-----------|------------------------------------|----------|
|    | Z01       | M4*30<br>SCREWS FOR DOORS          | 13       |
|    | ML01/S04  | M6*10                              | 35       |
|    | ML01/S02  | M6*20                              | 4        |
|    | L21       | 95 1/2 in / 2425 mm                | 1        |
|    | J07       | L21 ENDCAP                         | 2        |
|    | L28       | 19 9/16 in / 497 mm<br>FRONT RIGHT | 2        |
|    | W04       | CONNECTOR BRACKET                  | 1        |
|    | W04-1     | FRAME CONNECTOR                    | 2        |
|    | W04-2     | FRAME CONNECTOR                    | 2        |
|   | Y3-1      | UPPER ROOF PANEL                   | 1        |
|  | Y3-2      | UPPER ROOF PANEL                   | 1        |
|  | Y2-1      | BACK WALL SIDE                     | 1        |
|  | Y2-2      | BACK WALL SIDE                     | 1        |
|  | Y6        | DOOR PANELS                        | 4        |
|  | 1/4 DB    | 1/4" DRILL BIT                     | 1        |

# Grandio Greenhouse Limited Lifetime Warranty

- 1.** Grandio Greenhouses are warranted to the original purchaser to be free from defects in material or workmanship for ten years from the date of original retail purchase on all plastic panels. Additionally the aluminium frame is warranted for life. The word “defects” is defined as imperfections that impair the use of the product.
- 2.** Defects resulting from misuse, abuse or negligence will void this warranty. This warranty does not cover defects due to improper installation, alteration or accident. This warranty does not cover damage caused by vandalism, rusting, “acts of nature” or any other event beyond the control of the manufacturer.
- 3.** This warranty is nontransferable and is expressly limited to the repair or replacement of defective product if the product is defective within the terms of this warranty, Grandio Greenhouses will repair or replace defective parts at no cost to the purchaser. Shipping charges to and from the factory or distribution center are not covered and are the responsibility of the purchaser. Labor charges and related expenses for removal, installation or replacement of the greenhouse or its components are not covered under this warranty.
- 4.** This warranty does not cover scratching or scuffing of the product that may result from normal usage. In addition, defects resulting from intentional damage, negligence, unreasonable use will void this warranty.
- 5.** Liability for incidental or consequential damages is excluded to the extent permitted by law. While every attempt is made to embody the highest degree of safety in all equipment, freedom from injury cannot be guaranteed. The user assumes all risk of injury resulting from the use of this product. All merchandise is sold on this condition, and no representative of the company may waive or change this policy.
- 6.** This product is not intended for institutional or commercial use; Grandio Greenhouses does not assume any liability for such use.
- 7.** This warranty is expressly in lieu of all other warranties, expressed or implied, including warranties of merchantability for use to extent permitted by Federal and State Law. Neither Grandio Greenhouses nor any representative assumes any other liability in connection with this product. This warranty gives you specific legal rights, and you may also have other rights that vary from state to state.





# GRANDIO

G R E E N H O U S E S

**2015 Model Grandio Elite 8x8**

**GREENHOUSE USER MANUAL**

**KEEP IN A SAFE PLACE FOR REFERENCE**

CONTACT US IF YOU NEED HELP  
OR  
HAVE MISSING OR DAMAGED PARTS

**GRANDIOGREENHOUSES.COM**

**BACKYARD LIVING SOURCE, INC.  
9543 W. EMERALD ST., SUITE 101  
BOISE, ID 83704**

**1-866-448-8231**