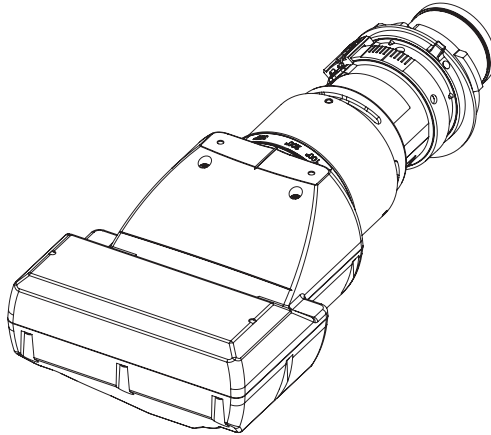


Operating Instructions

Fixed-Focus Lens **Commercial Use**

Model No. ET-DLE030



ENGLISH

Thank you for purchasing this Panasonic product.

- To ensure correct use of this lens, please read the operating instructions supplied with the lens and the projector carefully.
- **Before using this product, be sure to read “Read this first!” (▶Page 3).**
- Please save this manual for future use.

Product information (for Turkey only)

EEE Yönetmeliğine Uygundur.

EEE Complies with Directive of Turkey.

■ Contents

Read this first!	3
Before Use	4
Attaching the Lens / Detaching the Lens	4
Before replacing the projection lens	4
Attaching the Lens.....	5
Detaching the Lens	5
Projection relationships	6
Lens position setup and focus adjustment	8
Lens position setup (Using projector functions)	8
Lens position setup (Using the supplied lens shift gauge)	9
Focus Adjustment Function	9
Specifications	10
Dimensions	10
Dimensional relationship	Appendix

WARNING:

Before replacing the projection lens, be sure to turn the power off and disconnect the power plug from the wall outlet.

- Unexpected projection of light may cause injury to eyes.
- Replacing without removing the power plug may result in electrical shock.

Do not place objects near the light projecting surface.

- This surface produces intense light. Failure to heed this warning could result in fire or burn injuries.

CAUTION:

Do not use the lens with the protective film and lens cap left on.

- If left on, the heat generated during projection could melt them resulting in projector deformation and damage, and personnel attempting to remove them could suffer burn injuries.

**Do not open the desiccant bag. Do not eat the contents.
(Inadvertently ingesting desiccant could be harmful.)**

- If the desiccant gets into your eyes or mouth, immediately rinse with plenty of water and seek medical attention.
- Keep desiccant out of the reach of children.

Information for users in the European Union

Importer's name and address within the European Union
Panasonic Marketing Europe GmbH
Panasonic Testing Center
Winsbergring 15, 22525 Hamburg, Germany

Before Use

Supported projectors



PT-DZ870 / PT-DW830 / PT-DX100 / PT-DZ770 / PT-DW740 / PT-DX810 / PT-DZ680 / PT-DW640 / PT-DX610 / PT-DW730 / PT-DX800 / PT-DZ6710 / PT-DZ6700 / PT-DW6300 / PT-D6000 / PT-D5000

Note

- Models other than the above may also be supported. Refer to the operating instructions of the projector you are using.
- In this document, the alphabet letters at the end of the projector part numbers are omitted.

Supplied Accessories

Make sure that the following has been provided. Numbers enclosed in < > show the number of accessories.

<p>Lens cap <1></p>  <p>(The product is delivered with a lens cap attached.)</p>	<p>Lens shift gauge <1></p> 
---	---

Attaching the Lens / Detaching the Lens

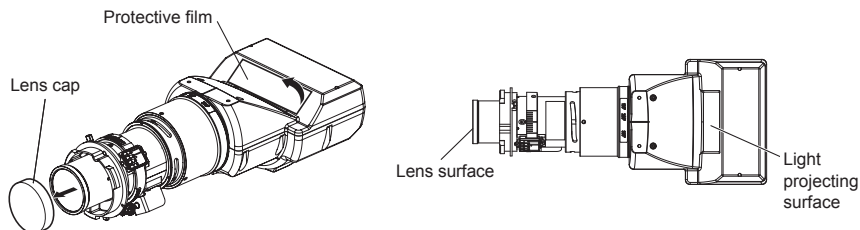
Before replacing the projection lens

Return the projection lens to the home position before replacing or removing it.

For details on how to return the lens to the home position, refer to the operating instructions of the projector.

Attention

- Make sure that the projector power supply is switched off before attaching or detaching the projection lens.
- After removing the projection lens, store it safely away from vibration or impacts.
- Do not touch the electric contact points of the projection lens with your fingers. Dust and dirt on the contacts may cause contact malfunctions.
- Before attaching the Fixed-focus lens, remove the protective film from the light projecting surface and the lens cap from the lens.

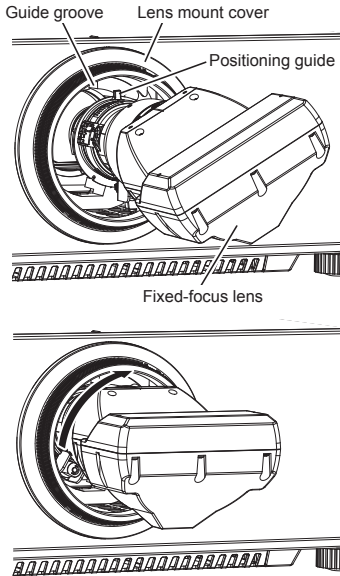


- Be sure not to touch the light projecting surface or the surface of the lens. Any fingerprints or smudges on these surfaces will be magnified and lower the quality of the image displayed on the screen.
- The light projecting surface and lens are made of glass. The lens could be damaged if brought into contact with or rubbed against hard objects. Handle the lens carefully.
- Use a clean, soft and dry cloth to wipe away any dirt or dust that has adhered to the light projecting surface or lens. Do not use fluffy cloths containing oil, water or dust for cleaning.
- When the Fixed-focus lens is removed from the projector, place it with the light projecting surface facing downwards.

Attaching the Lens / Detaching the Lens (continued)

Attaching the Lens

* Unless specified otherwise, the illustrations in these operating instructions show the lens used with the PT-DZ870 projector.



- 1) With the lens mount cover that came with your projector attached, align the positioning guide on the lens with the guide groove on the projector, and insert the lens fully.

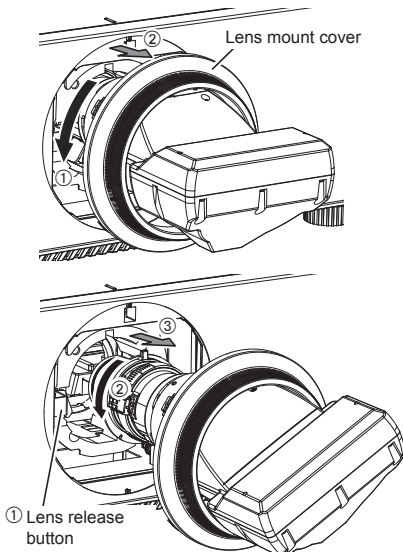
- There is a red dot at the bottom right end of the positioning guide.

- 2) Rotate the lens clockwise until you hear a “click”.

Attention

- Gently turn the projection lens counterclockwise to check that it will not fall out.

Detaching the Lens



- 1) Turn the lens mount cover counterclockwise to detach it from the lens and slide it towards the front end of the lens.

- 2) Hold down the lens release button while turning the lens counterclockwise to release it.

- 3) Turn the lens mount cover clockwise to reattach it.

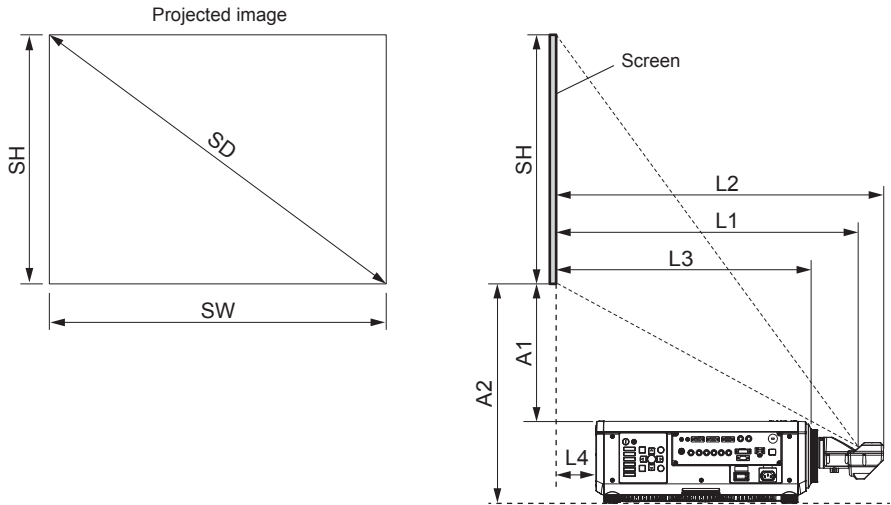
Attention

- Attach the supplied lens cap before storing the lens.

Projection relationships

The dimensional relationship between the screen and the projector is shown below.

■ Dimensional relationship diagram



Note

- The indications of this illustration are premised on aligning the projected image size and position to the full screen.
- This illustration is not drawn to scale.

SH	Projected image height	L3	Screen to projector front end
SW	Projected image width	L4	Screen to projector rear end
SD	Diagonal length of the projected image	A1	Bottom edge of the screen to the top of the projector
L1	Projection distance (from screen to mirror reflective surface*)	A2	Bottom edge of the screen to the bottom of the projector
L2	Screen to lens front end		

* The mirror reflective surface is inside the fixed-focus lens, and is not visible from the outside.

Note

- The illustrations of projectors in this manual are for informational purposes only and do not represent a specific projector model. Configurations may vary with the model.
- Dimension L4 is the distance from the projector rear panel to the screen.
- Dimension A2 is the distance from the bottom edge of the screen to the bottom of the adjustable projector legs (with the legs fully screwed in).

Attention

- Dimension L4 is not the distance from the projector rear panel to a wall, but the distance from the projector rear panel to the screen. Provide at least 500 mm (19-11/16") of ventilation space between the projector rear panel and a wall or other object.

When placing the projector in a confined space, a ventilation and/or air conditioning system is required. Exhaust heat may accumulate when the ventilation is not sufficient triggering the protection circuit of the projector.

Projection relationships (continued)

■ Dimensional relationship

- When using one of PT-DZ870 / PT-DW830 / PT-DX100 / PT-DZ770 / PT-DZ680 / PT-DZ6710 / PT-DZ6700 / PT-DW740 / PT-DW730 / PT-DW640 / PT-DW6300 / PT-DX810 / PT-DX800 / PT-DX610 / PT-D6000 / PT-D5000

For details on projection distance (L1), and A1, A2, L2, L3 and L4 values, refer to "Projected image size and Projection distance" or "Projection distance formulas" in the Appendix.

- When using a projector other than one listed above
Please see "Setting up" in the operating instructions for the projector you are using.

■ Keystone distortion correction

When attaching this lens for use, regardless of the projector model, set up the projector so that the projected image is rectangular and the back of the projector and the screen are parallel.

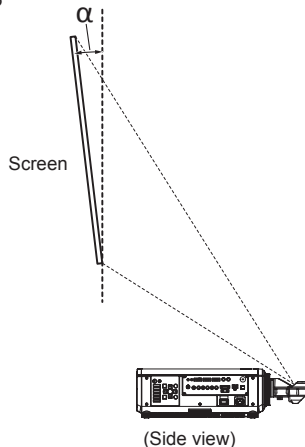
In addition, depending on the projector used, keystone distortion correction may be feasible after setup.

- When using PT-DZ870

For keystone distortion in the vertical direction generated within the angle range below, select [MAIN MENU] → [POSITION] → [GEOMETRY(2D)] → [KEystone] → [VERTICAL KEystone] to perform correction.

Keystone distortion in the vertical direction greater than this angle and keystone distortion in the horizontal direction can be corrected but the projected image overall will no longer be in focus.

Correction feasible angle (α): 0 - 5°



- When using one of PT-DW830 / PT-DX100 / PT-DZ770 / PT-DZ680 / PT-DZ6710 / PT-DZ6700 / PT-DW740 / PT-DW730 / PT-DW640 / PT-DW6300 / PT-DX810 / PT-DX800 / PT-DX610 / PT-D6000 / PT-D5000

If keystone distortion in vertical direction or horizontal direction is corrected, the projected image overall will no longer be in focus. Set up the projector so that the projected image is rectangular and the back of the projector and the screen are parallel.

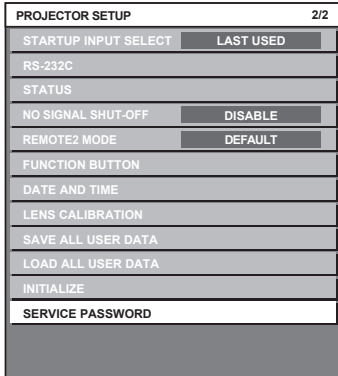
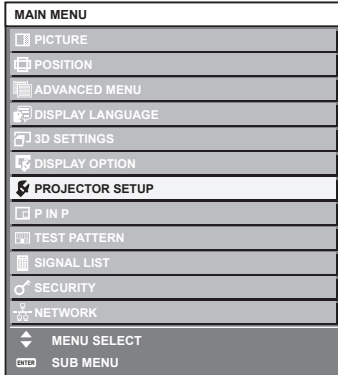
- When using a projector other than one listed above
Please see "Setting up" in the operating instructions for the projector you are using.

Lens position setup and focus adjustment

Lens position setup (Using projector functions)

Automatically return the lens to base position using the projector.

* The menu screens shown in these operating instructions are only provided as examples. Actual menu screens may vary with the specific model.



- 1) Turn on the projector to start the projection.
- 2) Press the <MENU> button to open the [MAIN MENU] screen. Then select [PROJECTOR SETUP] and press the <ENTER> button.
- 3) Select [SERVICE PASSWORD] in the [PROJECTOR SETUP] menu and press the <ENTER> button.
- 4) In the [SERVICE PASSWORD] entry screen, press the numeric button <0> and <3> on the remote control to enter "030" and press the <ENTER> button.
 - The [DLE030 POSITION] screen appears.
- 5) Press the <ENTER> button in the [DLE030 POSITION] screen.

- [PROGRESS] is displayed on the [DLE030 POSITION] screen and lens position moves to the standard projection position for the ET-DLE030.

Note

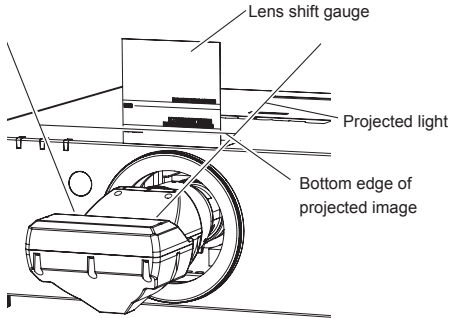
- This method of adjustment does not work with the PT-DZ770, PT-DW740, PT-DX810, PT-DZ680, PT-DW640, PT-DX610, PT-DW730, PT-DX800, PT-DZ6710, PT-DZ6700, PT-DW6300, PT-D6000 and PT-D5000. Use the supplied lens shift gauge for adjustments.
- Lens position adjustments made from the projector may deviate slightly from adjustments made using the lens shift gauge.
- After returning the lens to the standard projection position, lens shift adjustments are possible within the range where the projector will not interfere with the edges of the projected image.
- If the rear of the projector blocks the bottom edge of the projected image, it may also obscure the view of an On-screen display (OSD) that is positioned at the lower edge of the screen. If this happens, open the [DISPLAY OPTIONS] menu and select [ON-SCREEN DISPLAY] → [OSD POSITION] to change display location so that the whole OSD menu can be seen.

Lens position setup and focus adjustment (continued)

Lens position setup (Using the supplied lens shift gauge)

Use the supplied lens shift gauge to adjust vertical lens position.

* This illustration shows the lens used with the PT-DZ770 projector.



- 1) As shown in the figure, fold the lens shift gauge at right angles along the dotted line.**
 - Adjust so that the gauge plane of the lens shift gauge and the front panel of the projector are roughly in the same plane.
- 2) Move the lens to the home position.**
 - For details on how to return the lens to the home position, refer to the operating instructions of the projector.
- 3) Adjust lens shift on the projector so that the bottom edge of the projected image aligns with the line for the specific projector model on the lens shift gauge.**
 - Use the projector after making the adjustments and lens position settings described here.

Note

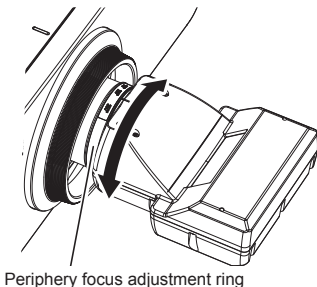
- After adjusting the lens position using the lens shift gauge, lens shift adjustments are possible within the range where the projector will not interfere with the edges of the projected image.

Focus Adjustment Function

After setting the lens position, adjust the focus.

The focal balance between the center and periphery of the projected image changes depending on the size of the projected image. The lens is equipped with a focus balance adjustment function for the screen periphery.

■ Adjusting the Focus



- 1) Focus the center of the screen by operating the projector unit.**
- 2) Turn the periphery focus ring by hand as shown in the figure to adjust the focus in the periphery of the screen.**
- 3) Again check focus at the center of the screen and use the projector controls to make fine adjustments.**

Note

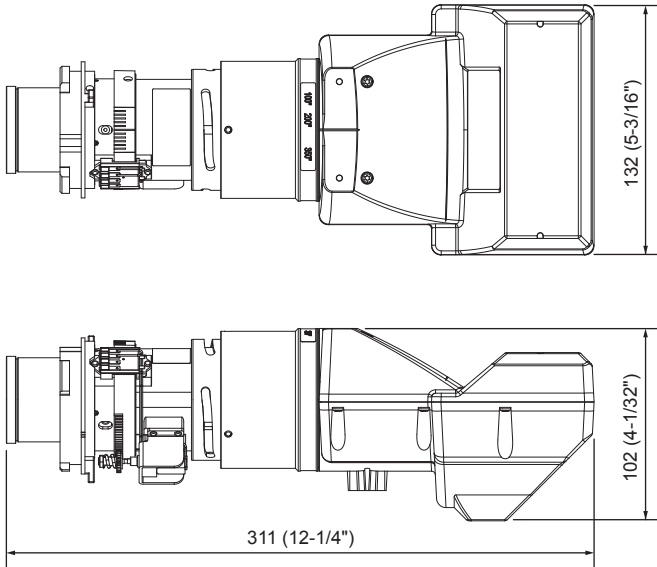
- The projected image sizes and scale shown on the periphery focus adjustment ring are an approximate guide.

Specifications

F value	2.0
Focal Length (f)	5.3 mm (7/32")
Dimensions	Width 132 mm (5-3/16") Height 102 mm (4-1/32") Depth 311 mm (12-1/4")
Net Weight	Approx. 1.3 kg (2.9 lb)

Dimensions

(Unit: mm)



MEMO



Information on Disposal for Users of Waste Electrical & Electronic Equipment (private households)



This symbol on the products and/or accompanying documents means that used electrical and electronic products should not be mixed with general household waste.

For proper treatment, recovery and recycling, please take these products to designated collection points, where they will be accepted on a free of charge basis.

Alternatively, in some countries you may be able to return your products to your local retailer upon the purchase of an equivalent new product.

Disposing of this product correctly will help to save valuable resources and prevent any potential negative effects on human health and the environment which could otherwise arise from inappropriate waste handling. Please contact your local authority for further details of your nearest designated collection point.

Penalties may be applicable for incorrect disposal of this waste, in accordance with national legislation.

For business users in the European Union

If you wish to discard electrical and electronic equipment, please contact your dealer or supplier for further information.

Information on Disposal in other Countries outside the European Union

This symbol is only valid in the European Union.

If you wish to discard this product, please contact your local authorities or dealer and ask for the correct method of disposal.

Panasonic Corporation

Web Site : <http://panasonic.net/avc/projector/>

© Panasonic Corporation 2013

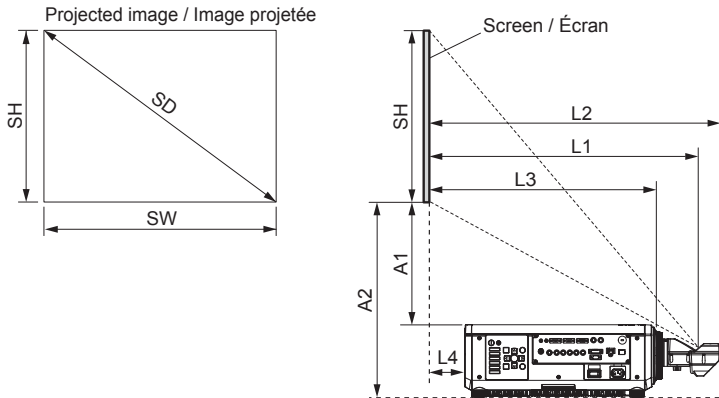
SS0613HK1025 -PJ

Printed in Japan

Appendix / Annexe

■ Dimensional relationship ■ Relations dimensionnelles

The dimensional relationship between the screen and the projector is shown below.
Les relations dimensionnelles entre l'écran et le projecteur sont indiquées ci-dessous.



SH	Projected image height / Hauteur de l'image projetée
SW	Projected image width / Largeur de l'image projetée
SD	Diagonal length of the projected image / Diagonale de la zone de projection
L1	Projection distance (from screen to mirror reflective surface*) Distance de projection (de l'écran à la surface réfléchissante du miroir*)
L2	Screen to lens front end / De l'écran à l'extrémité avant de l'objectif
L3	Screen to projector front end / De l'écran à l'extrémité avant du projecteur
L4	Screen to projector rear end / De l'écran à l'extrémité arrière du projecteur
A1	Bottom edge of the screen to the top of the projector / Du bord inférieur de l'écran au sommet du projecteur
A2	Bottom edge of the screen to the bottom of the projector / Du bord inférieur de l'écran à la base du projecteur

* The mirror reflective surface is inside the fixed-focus lens, and is not visible from the outside.

* La surface réfléchissante du miroir se trouve à l'intérieur de l'objectif à focale fixe, et n'est pas visible de l'extérieur.

● Projected image size and Projection distance ● Taille de l'image projetée et Distance de projection

Note

- When using projector models other than the following, refer to "Setting up" in the operating instructions of the projector.

Remarque

- Lorsque vous utilisez des modèles de projecteur différents des modèles suivants, consultez "Installation" dans le mode d'emploi du projecteur.

Projectors / Projecteurs

PT-DZ870 / PT-DW830 / PT-DX100 / PT-DZ770 / PT-DZ680 / PT-DZ6710 / PT-DZ6700 /
PT-DW740 / PT-DW730 / PT-DW640 / PT-DW6300 / PT-DX810 / PT-DX800 / PT-DX610 /
PT-D6000 / PT-D5000

The dimensions of the following table contain a slight error.

Periods are used to represent decimal points in the calculation formulas in the following table.

Les dimensions du tableau suivant peuvent présenter un léger écart.

Les points sont utilisés pour indiquer les décimales dans les formules de calcul dans le tableau suivant.

Note

- The listed projection distances involve an error of $\pm 5\%$.
- "GEOMETRY(2D)" and "VERTICAL KEYSTONE" tend to correct the projected image to a size that is smaller than regular size.
- Throw ratio is based on the value during projection onto a 2.54 m (100") screen.

Remarque

- Les distances de projection dans la liste implique une erreur de $\pm 5\%$.
- Le "GÉOMÉTRIE(2D)" et la "TRAPÈZE VERTICALE" ont tendance à corriger l'image projetée à une taille inférieure à la taille normale.
- Le rapport de projection (throw) se base sur la valeur pendant la projection sur un écran de 2,54 m (100").

● PT-DZ870

(Unit / Unités : m)

When the screen aspect ratio is 16:10 (Throw ratio : [0.38:1]) Lorsque le rapport d'aspect de l'écran est 16:10 (Rapport de projection : [0.38:1])					
SD	SH	SW	L1	L4	A1
2.54 (100")	1.346 (52.992")	2.154 (84.803")	0.82 (32.28")	0.14 (5.51")	0.43 (16.93")
3.05 (120")	1.615 (63.583")	2.585 (101.772")	0.98 (38.58")	0.30 (11.81")	0.53 (20.87")
3.81 (150")	2.019 (79.488")	3.231 (127.205")	1.23 (48.43")	0.55 (21.65")	0.68 (26.77")
5.08 (200")	2.692 (105.984")	4.308 (169.606")	1.63 (64.17")	0.95 (37.40")	0.93 (36.61")
6.35 (250")	3.365 (132.480")	5.385 (212.008")	2.04 (80.31")	1.36 (53.54")	1.18 (46.46")
7.62 (300")	4.039 (159.016")	6.462 (254.409")	2.45 (96.46")	1.77 (69.69")	1.43 (56.30")
8.89 (350")	4.712 (185.512")	7.539 (296.811")	2.85 (112.20")	2.18 (85.83")	1.69 (66.54")

When the screen aspect ratio is 16:9 (Throw ratio : [0.38:1]) Lorsque le rapport d'aspect de l'écran est 16:9 (Rapport de projection : [0.38:1])					
SD	SH	SW	L1	L4	A1
2.54 (100")	1.245 (49.016")	2.214 (87.165")	0.84 (31.89")	0.16 (6.30")	0.51 (20.08")
3.05 (120")	1.494 (58.819")	2.657 (104.606")	1.01 (39.76")	0.33 (12.99")	0.63 (24.80")
3.81 (150")	1.868 (73.543")	3.321 (130.748")	1.26 (49.61")	0.58 (22.83")	0.81 (31.89")
5.08 (200")	2.491 (98.071")	4.428 (174.331")	1.68 (66.14")	1.00 (39.37")	1.10 (43.31")
6.35 (250")	3.113 (122.559")	5.535 (217.913")	2.10 (82.68")	1.42 (55.91")	1.39 (54.72")
7.62 (300")	3.736 (147.087")	6.641 (261.457")	2.51 (98.82")	1.84 (72.44")	1.68 (66.14")
8.89 (350")	4.358 (171.575")	7.748 (305.039")	2.93 (115.35")	2.25 (88.58")	1.98 (77.95")

When the screen aspect ratio is 4:3 (Throw ratio : [0.46:1]) Lorsque le rapport d'aspect de l'écran est 4:3 (Rapport de projection : [0.46:1])					
SD	SH	SW	L1	L4	A1
2.54 (100")	1.524 (60.000")	2.032 (80.000")	0.93 (36.61")	0.25 (9.84")	0.50 (19.69")
3.05 (120")	1.829 (72.008")	2.438 (95.984")	1.11 (43.70")	0.43 (16.93")	0.61 (24.02")
3.81 (150")	2.286 (90.000")	3.048 (120.000")	1.39 (54.72")	0.71 (27.95")	0.78 (30.71")
5.08 (200")	3.048 (120.000")	4.064 (160.000")	1.85 (72.83")	1.17 (46.06")	1.06 (41.73")
6.35 (250")	3.810 (150.000")	5.080 (200.000")	2.31 (90.94")	1.63 (64.17")	1.35 (53.15")
7.62 (300")	4.572 (180.000")	6.096 (240.000")	2.77 (109.06")	2.09 (82.28")	1.63 (64.17")
8.89 (350")	5.334 (210.000")	7.112 (280.000")	3.23 (127.17")	2.55 (100.39")	1.92 (75.59")

● PT-DW830

(Unit / Unités : m)

When the screen aspect ratio is 16:10 (Throw ratio : [0.40:1])					
Lorsque le rapport d'aspect de l'écran est 16:10 (Rapport de projection : [0.40:1])					
SD	SH	SW	L1	L4	A1
2.54 (100")	1.346 (52.992")	2.154 (84.803")	0.86 (33.86")	0.18 (7.09")	0.59 (23.23")
3.05 (120")	1.615 (63.583")	2.585 (101.772")	1.03 (40.55")	0.35 (13.78")	0.72 (28.35")
3.81 (150")	2.019 (79.488")	3.231 (127.205")	1.29 (50.79")	0.61 (24.02")	0.92 (36.22")
5.08 (200")	2.692 (105.984")	4.308 (169.606")	1.71 (67.32")	1.04 (40.94")	1.25 (49.21")
6.35 (250")	3.365 (132.480")	5.385 (212.008")	2.14 (84.25")	1.46 (57.48")	1.58 (62.20")
7.62 (300")	4.039 (159.016")	6.462 (254.409")	2.57 (101.18")	1.89 (74.41")	1.91 (75.20")
8.89 (350")	4.712 (185.512")	7.539 (296.811")	3.00 (118.11")	2.32 (91.34")	2.24 (88.19")

When the screen aspect ratio is 16:9 (Throw ratio : [0.40:1])					
Lorsque le rapport d'aspect de l'écran est 16:9 (Rapport de projection : [0.40:1])					
SD	SH	SW	L1	L4	A1
2.54 (100")	1.245 (49.016")	2.214 (87.165")	0.88 (34.65")	0.20 (7.87")	0.67 (26.38")
3.05 (120")	1.494 (58.819")	2.657 (104.606")	1.06 (41.73")	0.38 (14.96")	0.82 (32.28")
3.81 (150")	1.868 (73.543")	3.321 (130.748")	1.32 (51.97")	0.64 (25.20")	1.05 (41.34")
5.08 (200")	2.491 (98.071")	4.428 (174.331")	1.76 (69.29")	1.08 (42.52")	1.42 (55.91")
6.35 (250")	3.113 (122.559")	5.535 (217.913")	2.20 (86.61")	1.52 (59.84")	1.79 (70.47")
7.62 (300")	3.736 (147.087")	6.641 (261.457")	2.64 (103.94")	1.96 (77.17")	2.17 (85.43")
8.89 (350")	4.358 (171.575")	7.748 (305.039")	3.08 (121.26")	2.40 (94.49")	2.54 (100.00")

When the screen aspect ratio is 4:3 (Throw ratio : [0.48:1])					
Lorsque le rapport d'aspect de l'écran est 4:3 (Rapport de projection : [0.48:1])					
SD	SH	SW	L1	L4	A1
2.54 (100")	1.524 (60.000")	2.032 (80.000")	0.97 (38.19")	0.29 (11.42")	0.67 (26.38")
3.05 (120")	1.829 (72.008")	2.438 (95.984")	1.17 (46.06")	0.49 (19.29")	0.82 (32.28")
3.81 (150")	2.286 (90.000")	3.048 (120.000")	1.46 (57.48")	0.78 (30.71")	1.05 (41.34")
5.08 (200")	3.048 (120.000")	4.064 (160.000")	1.94 (76.38")	1.26 (49.61")	1.42 (55.91")
6.35 (250")	3.810 (150.000")	5.080 (200.000")	2.42 (95.28")	1.74 (68.50")	1.79 (70.47")
7.62 (300")	4.572 (180.000")	6.096 (240.000")	2.91 (114.57")	2.23 (87.80")	2.17 (85.43")
8.89 (350")	5.334 (210.000")	7.112 (280.000")	3.39 (133.46")	2.71 (106.69")	2.54 (100.00")

● **PT-DX100**

(Unit / Unités : m)

When the screen aspect ratio is 4:3 (Throw ratio : [0.39:1]) Lorsque le rapport d'aspect de l'écran est 4:3 (Rapport de projection : [0.39:1])					
SD	SH	SW	L1	L4	A1
2.54 (100")	1.524 (60.000")	2.032 (80.000")	0.80 (31.50")	0.12 (4.72")	0.41 (16.14")
3.05 (120")	1.829 (72.008")	2.438 (95.984")	0.96 (37.80")	0.28 (11.02")	0.50 (19.69")
3.81 (150")	2.286 (90.000")	3.048 (120.000")	1.20 (47.24")	0.52 (20.47")	0.65 (25.59")
5.08 (200")	3.048 (120.000")	4.064 (160.000")	1.60 (62.99")	0.92 (36.22")	0.88 (34.65")
6.35 (250")	3.810 (150.000")	5.080 (200.000")	1.99 (78.35")	1.32 (51.97")	1.12 (44.09")
7.62 (300")	4.572 (180.000")	6.096 (240.000")	2.39 (94.09")	1.71 (67.32")	1.36 (53.54")
8.89 (350")	5.334 (210.000")	7.112 (280.000")	2.79 (109.84")	2.11 (83.07")	1.60 (62.99")

When the screen aspect ratio is 16:9 (Throw ratio : [0.39:1]) Lorsque le rapport d'aspect de l'écran est 16:9 (Rapport de projection : [0.39:1])					
SD	SH	SW	L1	L4	A1
2.54 (100")	1.245 (49.016")	2.214 (87.165")	0.87 (34.25")	0.19 (7.48")	0.66 (25.98")
3.05 (120")	1.494 (58.819")	2.657 (104.606")	1.05 (41.34")	0.37 (14.57")	0.80 (31.50")
3.81 (150")	1.868 (73.543")	3.321 (130.748")	1.31 (51.57")	0.63 (24.80")	1.02 (40.16")
5.08 (200")	2.491 (98.071")	4.428 (174.331")	1.74 (68.50")	1.06 (41.73")	1.39 (54.72")
6.35 (250")	3.113 (122.559")	5.535 (217.913")	2.17 (85.43")	1.49 (58.66")	1.75 (68.90")
7.62 (300")	3.736 (147.087")	6.641 (261.457")	2.61 (102.76")	1.93 (75.98")	2.11 (83.07")
8.89 (350")	4.358 (171.575")	7.748 (305.039")	3.04 (119.69")	2.36 (92.91")	2.48 (97.64")

● **PT-DZ770 / PT-DZ680 / PT-DZ6710 / PT-DZ6700**

(Unit / Unités : m)

When the screen aspect ratio is 16:10 (Throw ratio : [0.38:1]) Lorsque le rapport d'aspect de l'écran est 16:10 (Rapport de projection : [0.38:1])					
SD	SH	SW	L1	L4	A1
2.54 (100")	1.346 (52.992")	2.154 (84.803")	0.82 (32.28")	0.23 (9.06")	0.43 (16.93")
3.05 (120")	1.615 (63.583")	2.585 (101.772")	0.98 (38.58")	0.39 (15.35")	0.54 (21.26")
3.81 (150")	2.019 (79.488")	3.231 (127.205")	1.23 (48.43")	0.64 (25.20")	0.69 (27.17")
5.08 (200")	2.692 (105.984")	4.308 (169.606")	1.63 (64.17")	1.04 (40.94")	0.94 (37.01")
6.35 (250")	3.365 (132.480")	5.385 (212.008")	2.04 (80.31")	1.45 (57.09")	1.19 (46.85")
7.62 (300")	4.039 (159.016")	6.462 (254.409")	2.45 (96.46")	1.86 (73.23")	1.44 (56.69")
8.89 (350")	4.712 (185.512")	7.539 (296.811")	2.85 (112.20")	2.27 (89.37")	1.69 (66.54")

When the screen aspect ratio is 16:9 (Throw ratio : [0.38:1]) Lorsque le rapport d'aspect de l'écran est 16:9 (Rapport de projection : [0.38:1])					
SD	SH	SW	L1	L4	A1
2.54 (100")	1.245 (49.016")	2.214 (87.165")	0.84 (33.07")	0.25 (9.84")	0.52 (20.47")
3.05 (120")	1.494 (58.819")	2.657 (104.606")	1.01 (39.76")	0.42 (16.54")	0.64 (25.20")
3.81 (150")	1.868 (73.543")	3.321 (130.748")	1.26 (49.61")	0.67 (26.38")	0.81 (31.89")
5.08 (200")	2.491 (98.071")	4.428 (174.331")	1.68 (66.14")	1.09 (42.91")	1.10 (43.31")
6.35 (250")	3.113 (122.559")	5.535 (217.913")	2.10 (82.68")	1.51 (59.45")	1.40 (55.12")
7.62 (300")	3.736 (147.087")	6.641 (261.457")	2.51 (98.82")	1.93 (75.98")	1.69 (66.54")
8.89 (350")	4.358 (171.575")	7.748 (305.039")	2.93 (115.35")	2.34 (92.13")	1.98 (77.95")

(PT-DZ770 / PT-DZ680 / PT-DZ6710 / PT-DZ6700)

When the screen aspect ratio is 4:3 (Throw ratio : [0.46:1]) Lorsque le rapport d'aspect de l'écran est 4:3 (Rapport de projection : [0.46:1])					
SD	SH	SW	L1	L4	A1
2.54 (100")	1.524 (60.000")	2.032 (80.000")	0.93 (36.61")	0.34 (13.39")	0.50 (19.69")
3.05 (120")	1.829 (72.008")	2.438 (95.984")	1.11 (43.70")	0.52 (20.47")	0.62 (24.41")
3.81 (150")	2.286 (90.000")	3.048 (120.000")	1.39 (54.72")	0.80 (31.50")	0.79 (31.10")
5.08 (200")	3.048 (120.000")	4.064 (160.000")	1.85 (72.83")	1.26 (49.61")	1.07 (42.13")
6.35 (250")	3.810 (150.000")	5.080 (200.000")	2.31 (90.94")	1.72 (67.72")	1.35 (53.15")
7.62 (300")	4.572 (180.000")	6.096 (240.000")	2.77 (109.06")	2.18 (85.83")	1.64 (64.57")
8.89 (350")	5.334 (210.000")	7.112 (280.000")	3.23 (127.17")	2.64 (103.94")	1.92 (75.59")

● **PT-DW740 / PT-DW730 / PT-DW640 / PT-DW6300**

(Unit / Unités : m)

When the screen aspect ratio is 16:10 (Throw ratio : [0.40:1]) Lorsque le rapport d'aspect de l'écran est 16:10 (Rapport de projection : [0.40:1])					
SD	SH	SW	L1	L4	A1
2.54 (100")	1.346 (52.992")	2.154 (84.803")	0.86 (33.86")	0.27 (10.63")	0.59 (23.23")
3.05 (120")	1.615 (63.583")	2.585 (101.772")	1.03 (40.55")	0.44 (17.32")	0.72 (28.35")
3.81 (150")	2.019 (79.488")	3.231 (127.205")	1.29 (50.79")	0.70 (27.56")	0.92 (36.22")
5.08 (200")	2.692 (105.984")	4.308 (169.606")	1.71 (67.32")	1.13 (44.49")	1.25 (49.21")
6.35 (250")	3.365 (132.480")	5.385 (212.008")	2.14 (84.25")	1.55 (61.02")	1.58 (62.20")
7.62 (300")	4.039 (159.016")	6.462 (254.409")	2.57 (101.18")	1.98 (77.95")	1.91 (75.20")
8.89 (350")	4.712 (185.512")	7.539 (296.811")	3.00 (118.11")	2.41 (94.88")	2.24 (88.19")

When the screen aspect ratio is 16:9 (Throw ratio : [0.40:1]) Lorsque le rapport d'aspect de l'écran est 16:9 (Rapport de projection : [0.40:1])					
SD	SH	SW	L1	L4	A1
2.54 (100")	1.245 (49.016")	2.214 (87.165")	0.88 (34.65")	0.29 (11.42")	0.68 (26.77")
3.05 (120")	1.494 (58.819")	2.657 (104.606")	1.06 (41.73")	0.47 (18.50")	0.83 (32.68")
3.81 (150")	1.868 (73.543")	3.321 (130.748")	1.32 (51.97")	0.73 (28.74")	1.05 (41.34")
5.08 (200")	2.491 (98.071")	4.428 (174.331")	1.76 (69.29")	1.17 (46.06")	1.43 (56.30")
6.35 (250")	3.113 (122.559")	5.535 (217.913")	2.20 (86.61")	1.61 (63.39")	1.80 (70.87")
7.62 (300")	3.736 (147.087")	6.641 (261.457")	2.64 (103.94")	2.05 (80.71")	2.17 (85.43")
8.89 (350")	4.358 (171.575")	7.748 (305.039")	3.08 (121.26")	2.49 (98.03")	2.55 (100.39")

When the screen aspect ratio is 4:3 (Throw ratio : [0.48:1]) Lorsque le rapport d'aspect de l'écran est 4:3 (Rapport de projection : [0.48:1])					
SD	SH	SW	L1	L4	A1
2.54 (100")	1.524 (60.000)	2.032 (80.000)	0.97 (38.19)	0.38 (14.96)	0.68 (26.77)
3.05 (120")	1.829 (72.008)	2.438 (95.984)	1.17 (46.06)	0.58 (22.83)	0.83 (32.68)
3.81 (150")	2.286 (90.000)	3.048 (120.000)	1.46 (57.48)	0.87 (34.25)	1.05 (41.34)
5.08 (200")	3.048 (120.000)	4.064 (160.000)	1.94 (76.38)	1.35 (53.15)	1.42 (55.91)
6.35 (250")	3.810 (150.000)	5.080 (200.000)	2.42 (95.28)	1.83 (72.05)	1.80 (70.87)
7.62 (300")	4.572 (180.000)	6.096 (240.000)	2.91 (114.57)	2.32 (91.34)	2.17 (85.43)
8.89 (350")	5.334 (210.000)	7.112 (280.000)	3.39 (133.46)	2.80 (110.24)	2.55 (100.39)

● **PT-DX810 / PT-DX800 / PT-DX610 / PT-D6000 / PT-D5000**

(Unit / Unités : m)

When the screen aspect ratio is 4:3 (Throw ratio : [0.39:1]) Lorsque le rapport d'aspect de l'écran est 4:3 (Rapport de projection : [0.39:1])					
SD	SH	SW	L1	L4	A1
2.54 (100")	1.524 (60.000")	2.032 (80.000")	0.80 (31.50")	0.21 (8.27")	0.41 (16.14")
3.05 (120")	1.829 (72.008")	2.438 (95.984")	0.96 (37.80")	0.37 (14.57")	0.51 (20.08")
3.81 (150")	2.286 (90.000")	3.048 (120.000")	1.20 (47.24")	0.61 (24.02")	0.65 (25.59")
5.08 (200")	3.048 (120.000")	4.064 (160.000")	1.60 (62.99")	1.01 (39.76")	0.89 (35.04")
6.35 (250")	3.810 (150.000")	5.080 (200.000")	1.99 (78.35")	1.41 (55.51")	1.13 (44.49")
7.62 (300")	4.572 (180.000")	6.096 (240.000")	2.39 (94.09")	1.80 (70.87")	1.37 (53.94")
8.89 (350")	5.334 (210.000")	7.112 (280.000")	2.79 (109.84")	2.20 (86.61")	1.61 (63.39")

When the screen aspect ratio is 16:9 (Throw ratio : [0.39:1]) Lorsque le rapport d'aspect de l'écran est 16:9 (Rapport de projection : [0.39:1])					
SD	SH	SW	L1	L4	A1
2.54 (100")	1.245 (49.016")	2.214 (87.165")	0.87 (34.25")	0.28 (11.02")	0.66 (25.98")
3.05 (120")	1.494 (58.819")	2.657 (104.606")	1.05 (41.34")	0.46 (18.11")	0.81 (31.89")
3.81 (150")	1.868 (73.543")	3.321 (130.748")	1.31 (51.57")	0.72 (28.35")	1.03 (40.55")
5.08 (200")	2.491 (98.071")	4.428 (174.331")	1.74 (68.50")	1.15 (45.28")	1.39 (54.72")
6.35 (250")	3.113 (122.559")	5.535 (217.913")	2.17 (85.43")	1.58 (62.20")	1.75 (68.90")
7.62 (300")	3.736 (147.087")	6.641 (261.457")	2.61 (102.76")	2.02 (79.53")	2.12 (83.46")
8.89 (350")	4.358 (171.575")	7.748 (305.039")	3.04 (119.69")	2.45 (96.46")	2.48 (97.64")

- Projection distance formulas
- Formules de distance de projection

If you are using a projection screen size not listed in these Operating Instructions, measure the diagonal screen size SD (m). Then use the calculation methods provided to determine projection distance (L1) and the distance from the top of the projector to the bottom edge of the screen (A1).

Establishing dimensions L1 and A1 allows you to calculate all other dimensions.

Note that the values obtained in the following calculations are approximations.

If you want to calculate the projection distance with projected image size SD (unit: inch) by substituting, please assign 0.0254 times to the SD value.

Si vous utilisez une taille d'écran de projection n'apparaissant pas dans la liste de ce mode d'emploi, mesurez la taille de l'écran en diagonale SD (m). Utilisez ensuite les méthodes de calcul fournies pour déterminer la distance de projection (L1) et la distance du sommet du projecteur au bord inférieur de l'écran (A1).

Établir les dimensions L1 et A1 vous permet de calculer toutes les autres dimensions.

Notez que les valeurs obtenues dans les calculs suivants sont des approximations.

Si vous voulez calculer la distance de projection avec des images de taille SD (unité : pouce) par substitution, veuillez ajouter 0,0254 fois à la valeur SD.

● **PT-DZ870**

(Unit / Unités : m)

Aspect ratio Rapport d'aspect	L1	A1
16 : 10	=0.3205 × SD + 0.0047	=0.1977 × SD - 0.0721
16 : 9	=0.3294 × SD + 0.0047	=0.2304 × SD - 0.0721
4 : 3	=0.3628 × SD + 0.0047	=0.2238 × SD - 0.0721

● **PT-DW830**

(Unit / Unités : m)

Aspect ratio Rapport d'aspect	L1	A1
16 : 10	=0.3365 × SD + 0.0047	=0.2597 × SD - 0.0740
16 : 9	=0.3459 × SD + 0.0047	=0.2942 × SD - 0.0740
4 : 3	=0.3809 × SD + 0.0047	=0.2941 × SD - 0.0740

● **PT-DX100**

Aspect ratio Rapport d'aspect	L1	A1
4 : 3	=0.3133 × SD + 0.0047	=0.1881 × SD - 0.0715
16 : 9	=0.3413 × SD + 0.0047	=0.2866 × SD - 0.0715

● **PT-DZ770 / PT-DZ680 / PT-DZ6710 / PT-DZ6700**

Aspect ratio Rapport d'aspect	L1	A1
16 : 10	=0.3205 × SD + 0.0047	=0.1977 × SD - 0.0671
16 : 9	=0.3294 × SD + 0.0047	=0.2304 × SD - 0.0671
4 : 3	=0.3628 × SD + 0.0047	=0.2238 × SD - 0.0671

● **PT-DW740 / PT-DW730 / PT-DW640 / PT-DW6300**

Aspect ratio Rapport d'aspect	L1	A1
16 : 10	=0.3365 × SD + 0.0047	=0.2597 × SD - 0.0690
16 : 9	=0.3459 × SD + 0.0047	=0.2942 × SD - 0.0690
4 : 3	=0.3809 × SD + 0.0047	=0.2941 × SD - 0.0690

● **PT-DX810 / PT-DX800 / PT-DX610 / PT-D6000 / PT-D5000**

Aspect ratio Rapport d'aspect	L1	A1
4 : 3	=0.3133 × SD + 0.0047	=0.1881 × SD - 0.0665
16 : 9	=0.3413 × SD + 0.0047	=0.2866 × SD - 0.0665

● **Calculation method for L2, L3, L4 and A2**
Méthode de calcul pour L2, L3, L4 et A2

(Unit / Unités : m)

	L2	L3	L4	A2
PT-DZ870 / PT-DW830 / PT-DX100			= L1 - 0.679	= A1 + 0.200
PT-DZ770 / PT-DZ680 / PT-DZ6710 / PT-DZ6700 / PT-DW740 / PT-DW730 / PT-DW640 / PT-DW6300 / PT-DX810 / PT-DX800 / PT-DX610 / PT-D6000 / PT-D5000	= L1 + 0.023	= L1 - 0.166	= L1 - 0.589	= A1 + 0.175

Panasonic Corporation

Web Site : <http://panasonic.net/avc/projector/>
© Panasonic Corporation 2013

SS0613HK1025 -PJ
Printed in Japan