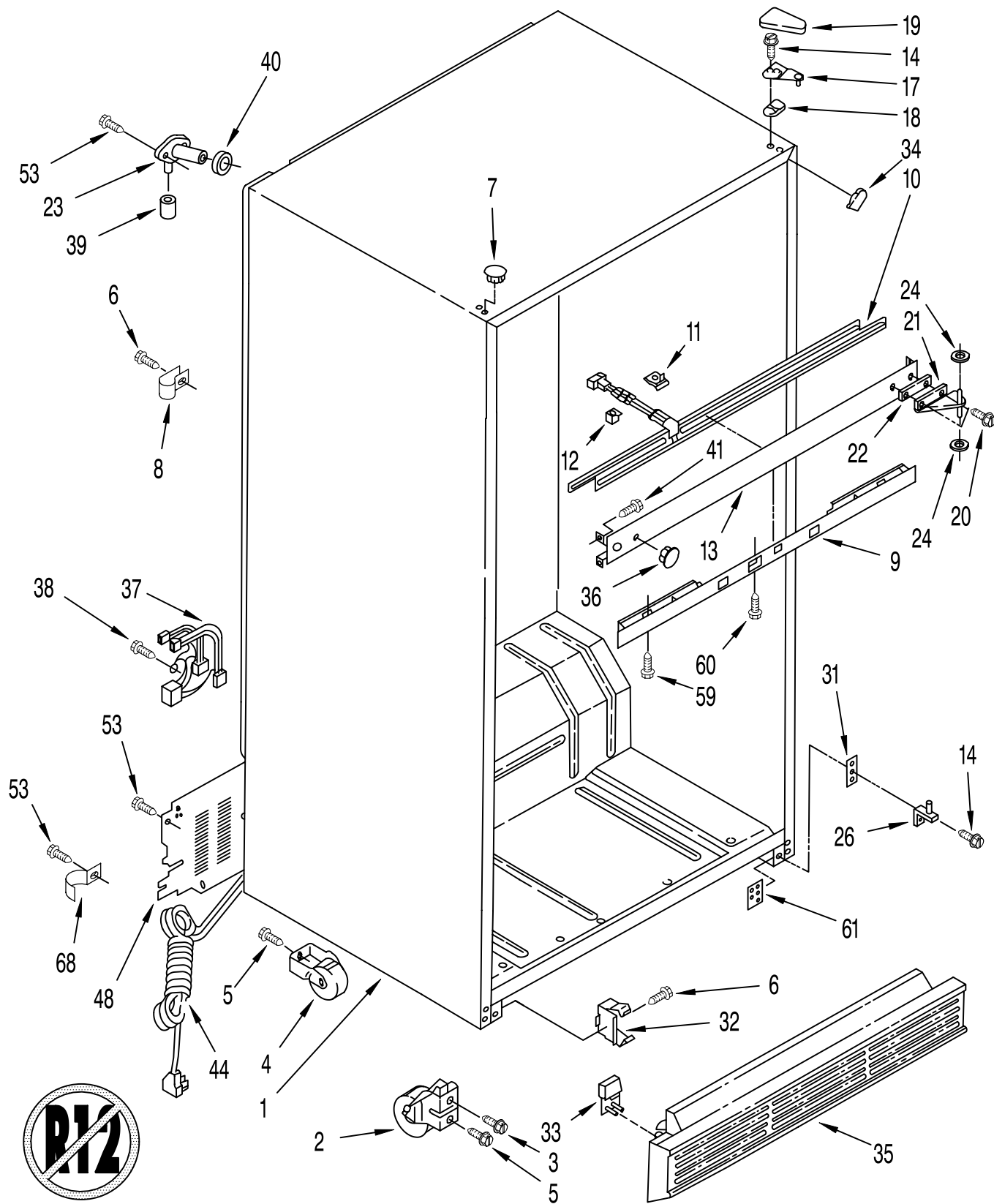


For Model: KTRC22KBWH00, KTRC22KBAL00

(White) (Almond)



FOR ORDERING INFORMATION REFER TO PARTS PRICE LIST

# CABINET PARTS

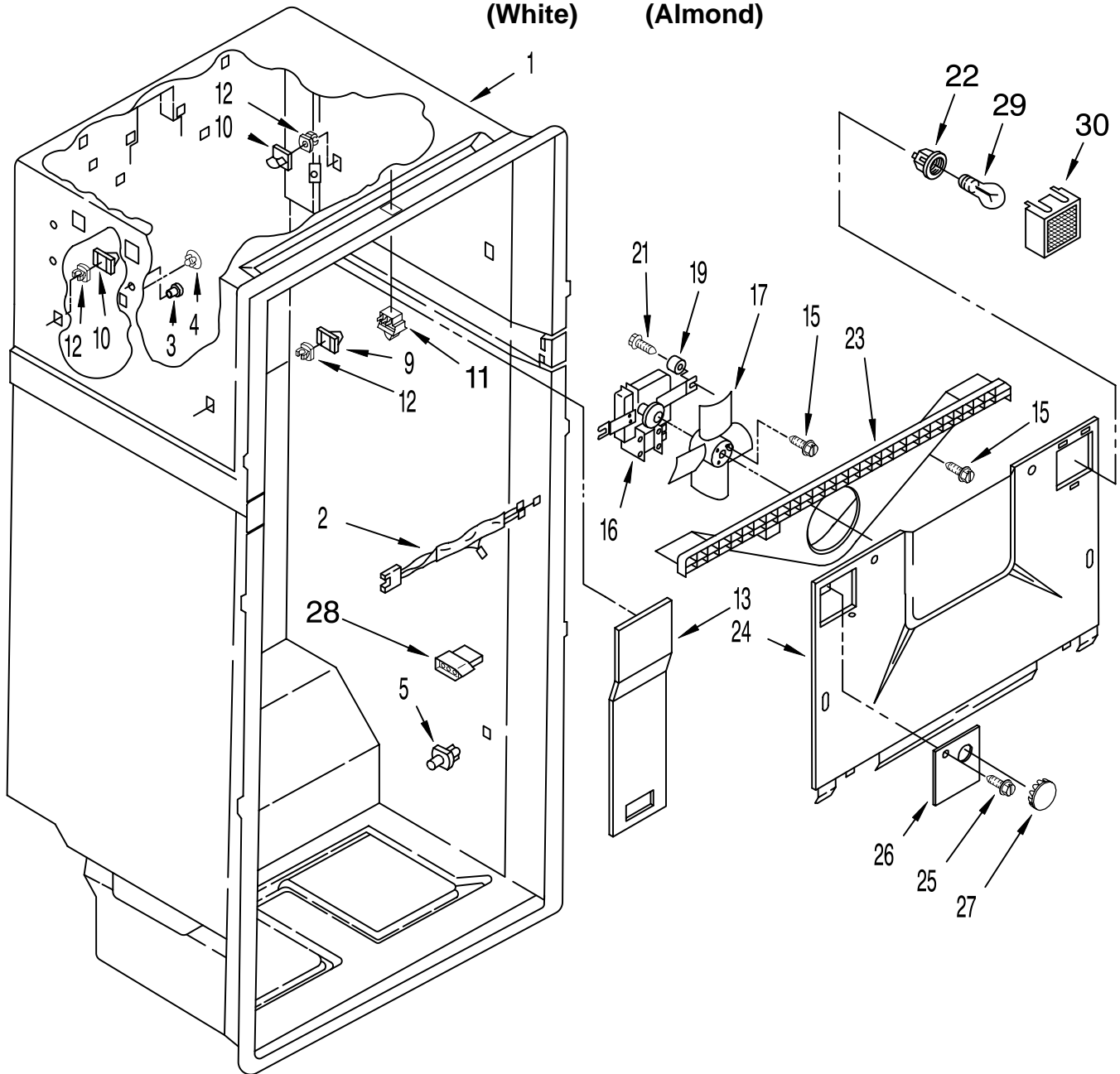
For Model: KTRC22KBWH00, KTRC22KBAL00  
(White) (Almond)

Illus. Part No. No. DESCRIPTION	Illus. Part No. No. DESCRIPTION	Illus. Part No. No. DESCRIPTION
1 Cabinet (Not A Serviceable Part)	19 Hinge Cover	35 Grille
2 2152011 Roller, Front	2160403 White	1125663 White
3 489393 Screw, 5/16-24 x 1-1/4	2160404 Almond	1125667 Almond
4 981122 Roller, Rear (2)	20 489105 Screw	36 1129062 Hole Plug
5 489339 Screw	21 2147335 Hinge, Center	37 2153994 Wiring Assy. Intermediate
6 489242 Screw	22 836155 Shim, Hinge Center	38 489048 Screw, 8-32 x 1/2
7 Hole Plug	23 2154070 Fitting-Water Tube	39 487996 Cap
2151652 White	24 487802 Washer, 11/64	40 1106508 Gasket
2151653 Almond	26 2157300 Hinge Butt, Bottom	41 488725 Screw
8 489385 Clamp, Tube	31 2172744 Spacer	44 937360 Cord, Service
9 1126276 Control, Front Cover	32 2155013 Clip, Grille	48 2160490 Cover, Unit
10 2157307 Heater, Mullion	33 Corner Filler, Grille	53 489084 Screw
11 1129018 Clip, Center Rail (4)	1125665 White	59 488725 Screw, 8 x 13/16
12 2149077 Spacer (3)	1125670 Almond	60 489174 Screw
13 2172705 Center Rail	34 Filler, Wrap Corner	61 2157315 Tap-Plate, Bottom Hinge
14 489367 Screw	1118058 White	68 549193 Clamp
17 2157593 Hinge, Top	1118059 Almond	
18 2157269 Shim, Hinge Top		

FOR ORDERING INFORMATION REFER TO PARTS PRICE LIST

# LINER PARTS

For Model: KTRC22KBWH00, KTRC22KBAL00  
(White) (Almond)



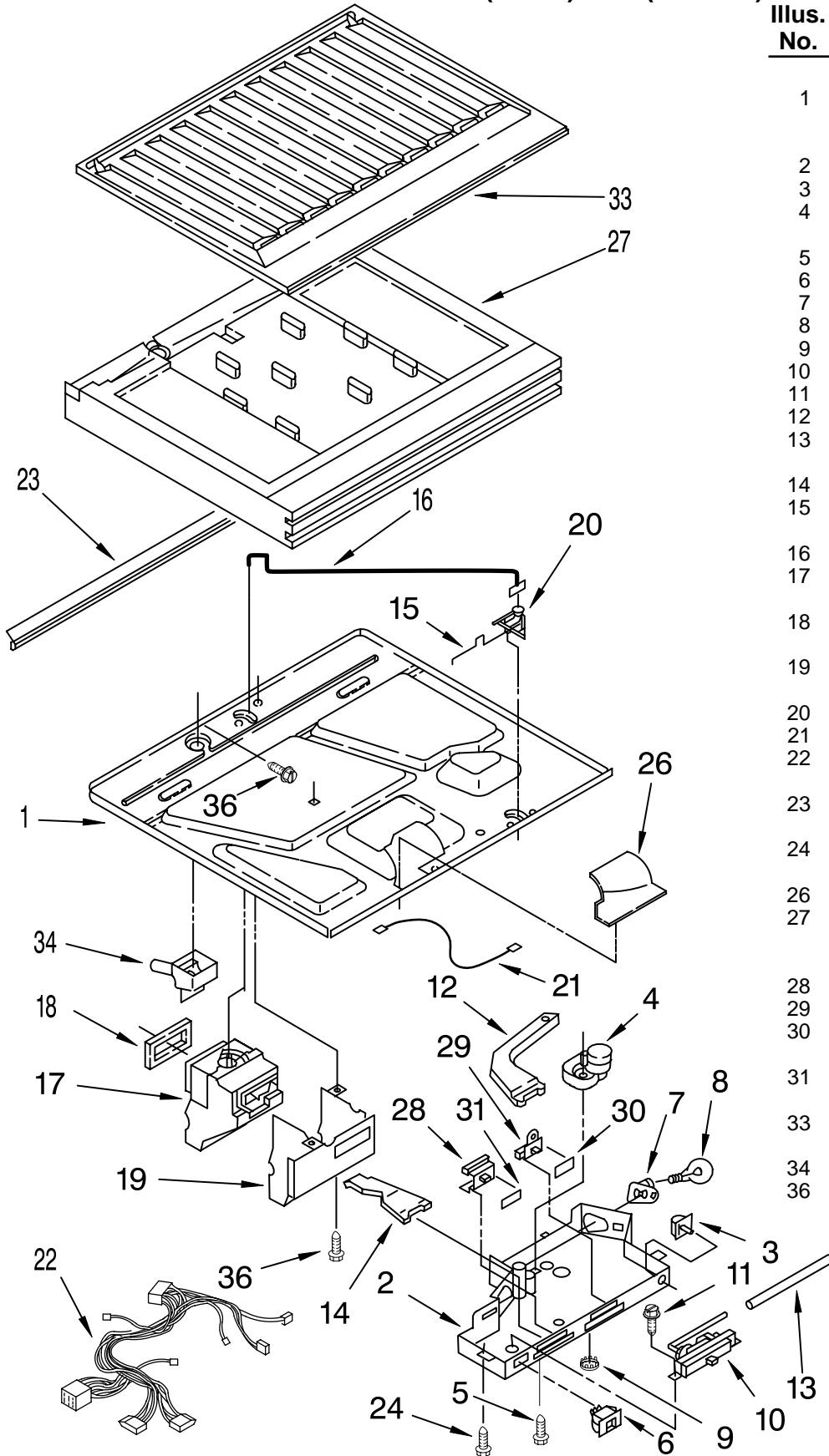
Illus. No.	Part No.	DESCRIPTION	Illus. No.	Part No.	DESCRIPTION	Illus. No.	Part No.	DESCRIPTION
1		Liner (Not A Serviceable Part)	12	946355	Support, Stud (6)	23	2160644	Scroll, Fan
2	1127626	Wiring, Fan Motor	13	2157411	Cover, Air Duct	24	2157427	Evaporator Cover
3	1110779	Grommet (4)	15	489242	Screw	25	489196	Screw
4	941839	Hole Plug	16	2169116	Motor, Fan	26	944759	Hole Cover, Evaporator
5	1106612	Stud (2)	17	2162448	Blade, Fan	27	1103725	Hole Plug
9	946356	Stud (2)	19	531933	Grommet (2)	28	934326	Housing Plug
10	946357	Saddle Stud, R.S.	21	489168	Screw	29	946059	Light Bulb
	946358	Saddle Stud, L.S.	22	2155597	Socket, Light	30	981365	Light Lens
11	1108112	Rocker Arm Switch						

FOR ORDERING INFORMATION REFER TO PARTS PRICE LIST

# COMPARTMENT SEPARATOR PARTS

For Model: KTRC22KBWH00, KTRC22KBAL00

(White) (Almond)

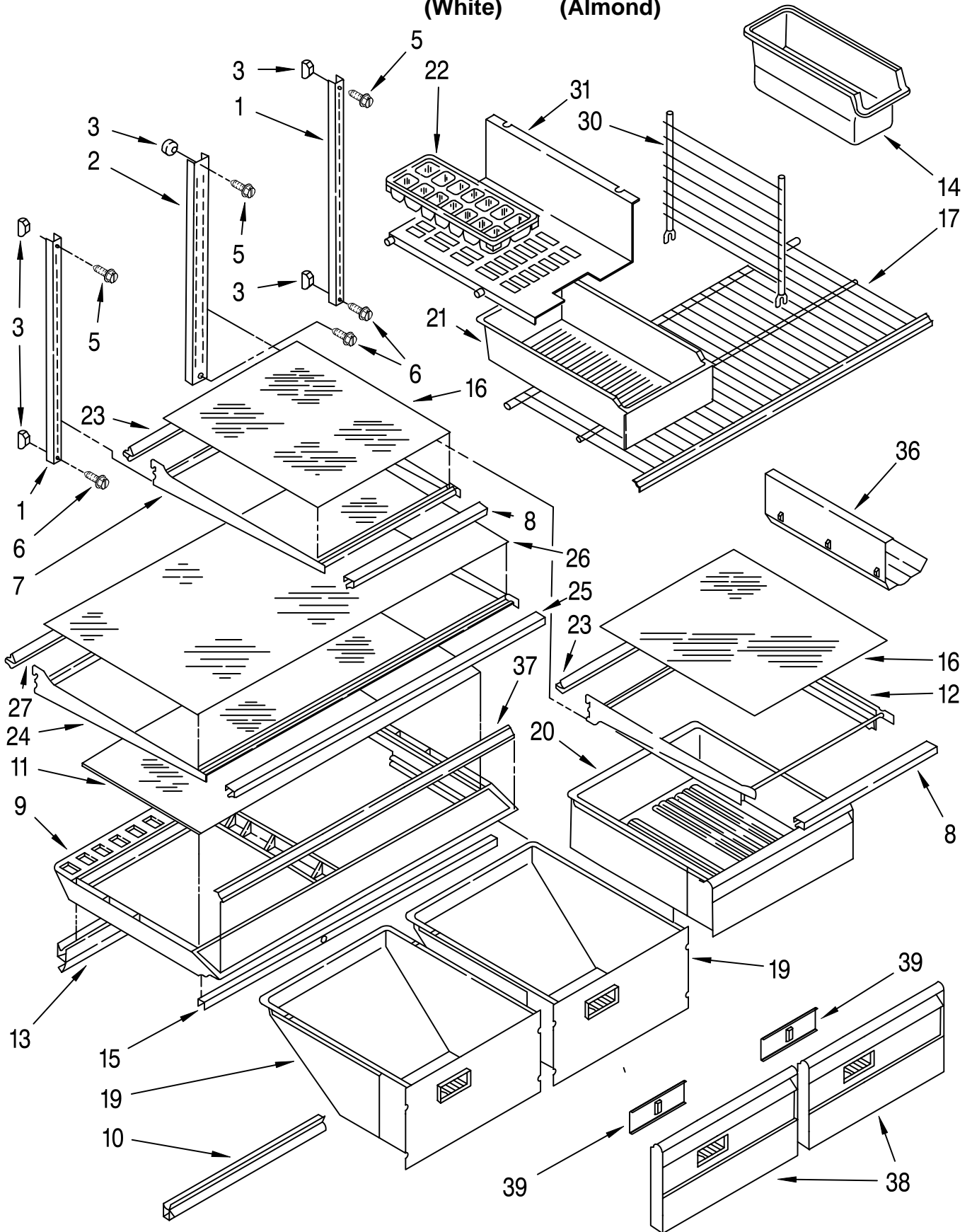


Illus. No.	Part No.	DESCRIPTION
1	1125507	Bottom, Compartment Separator
2	1125510	Box, Control
3	2149705	Switch, Light
4	2162044	Timer, Defrost (10 Hour)
5	488693	Screw
6	1125964	Switch, Toggle
7	2162085	Socket (2)
8	946059	Bulb, Light (2)
9	940014	Hole Plug
10	2159753	Thermostat
11	489214	Screw
12	1125511	Light Pipe (R.S.)
13	1128288	Tube Barrier, Thermostat
14	1125512	Light Pipe (L.S.)
15	1125515	Connecting Rod, Short
16	1125514	Rod, Connecting
17	2157252	Air Diffuser Assembly
18	2157255	Gasket, Air Diffuser
19	1108176	Cover, Air Diffuser
20	1125581	Pivot Arm
21	2154921	Wire Assembly
22	2153995	Wiring Assembly, Control Box
23	2159684	Gasket, Bottom Separator
24	489048	Screw, 8-32 x 1/2
26	1108196	Insulation, Filler
27	1105464	Insulation, Compartment Separator
28	1125513	Slide, Thermostat
29	1125578	Slide, Air Control
30	1125579	Window, Air Control
31	1125580	Window, Thermostat
33	2151663	Separator, Compartment (Top)
34	937065	Cup, Drain
36	489242	Screw

FOR ORDERING INFORMATION REFER TO PARTS PRICE LIST

# SHELF PARTS

For Model: KTRC22KBWH00, KTRC22KBAL00  
(White) (Almond)



FOR ORDERING INFORMATION REFER TO PARTS PRICE LIST

# SHELF PARTS

For Model: KTRC22KBWH00, KTRC22KBAL00

(White) (Almond)

Illus. No.	Part No.	DESCRIPTION
1	1114466	Shelf, Ladder (2)
2	1114465	Shelf, Ladder Center
3	520965	Screw, Support (4)
5	489345	Screw
6	488163	Screw, 8 x 1-1/4
7	1125520	Shelf, Cantilever
8	1125782	Gasket (Front)
9	1126311	Pan Cover Assembly
10	1116512	Gasket, Pan Cover (Front) (2)
11	1126310	Glass, Pan Cover
12	1126267	Pan Shelf, Cantilever
13	1105653	Gasket, Pan Cover (Rear) (2)
14	2161264	Container
15	2172748	Crisper, Support
16	1125521	Glass, Shelf
17	1125540	Shelf, Freezer
19	2168880	Pan, Crisper
20	2168881	Pan, Meat
21	1125561	Ice Cube Pan
22	841180	Ice Tray (4)
23	1110744	Retainer, Shelf
24	1125523	Shelf, Full Cantilever
25	1125783	Gasket (Front)
26	1125524	Glass, Full Shelf
27	1125525	Retainer, Shelf
30	1125542	Divider
31	1125543	Shelf, Ice Tray
36	1125913	Wine & Egg Rack
37	2172711	Trim, Crisper
38	2168723	Front, Crisper
39	1125853	Slide, Front

Illus. No.	Part No.	DESCRIPTION
Parts Not Illustrated and Optional Parts (Not Included)		

### Miscellaneous

978941	Insulation, Fiberglass (63-1/2" x 35-1/2" x 2-5/8")
212643	Sealer, Gum (4 Feet)
479502	Tape, Vinyl (3/4" x 108")
876305	Kit, Insulation (14 Pcs. 3" x 24" x 48")
876370	Kit, Insulation (2 Pcs. 3" x 24" x 48")
876029	Kit, Foam Slab (30" x 32-1/2" x 1-1/2")
505587	Sealer, Mastic (1 Qt.)
511873	Touch-Up, White Porcelain (2 Oz.)
542638	Grease, Silicone (1/2 Oz.)
542639	Cement, Alumilastic (1-1/4 Oz.)
606755	Bag, Insulation (36-5/8" x 46")
799833	Kit, Evaporator Repair (Aluminum Epoxy)
503695	Cork Sealer (1/4 Pound)
2172757	Door Reversal Instructions

Illus. No.	Part No.	DESCRIPTION
------------	----------	-------------

### Customer Touch-Up Material

*350942	Primer, White (13 Oz. Spray Can)
*350941	Leveler, Enamel (13 Oz. Spray Can)
*350939	Enamel, Black (13 Oz. Spray Can)
*350930	Enamel, White (13 Oz. Spray Can)
*350956	Enamel, Almond (13 Oz. Spray Can)
72017	Brush Touch-Up Kit (White)
72032	Brush Touch-Up Kit (Black)
72107	Brush Touch-Up Kit (Almond)

### Refinishing Material

799344	Enamel, White (1 Qt. Uncut)
978883	Enamel, Almond (1 Qt. Uncut)
833938	Kit, Terminal Connector

**\* Caution: The Spray Paint Is Not To Be Used Where The Paint May Make Contact With The Door Gaskets**

### LITERATURE PARTS

LIT2168826	Energy Guide
LIT1126426	Care & Use Guide
LIT2169124	Service & Wiring Sheet

### ICE MAKER FIELD INSTALLABLE

KIMS8  
Part No. 1129318

### TORX SCREW WRENCH

1117510 Torx Key

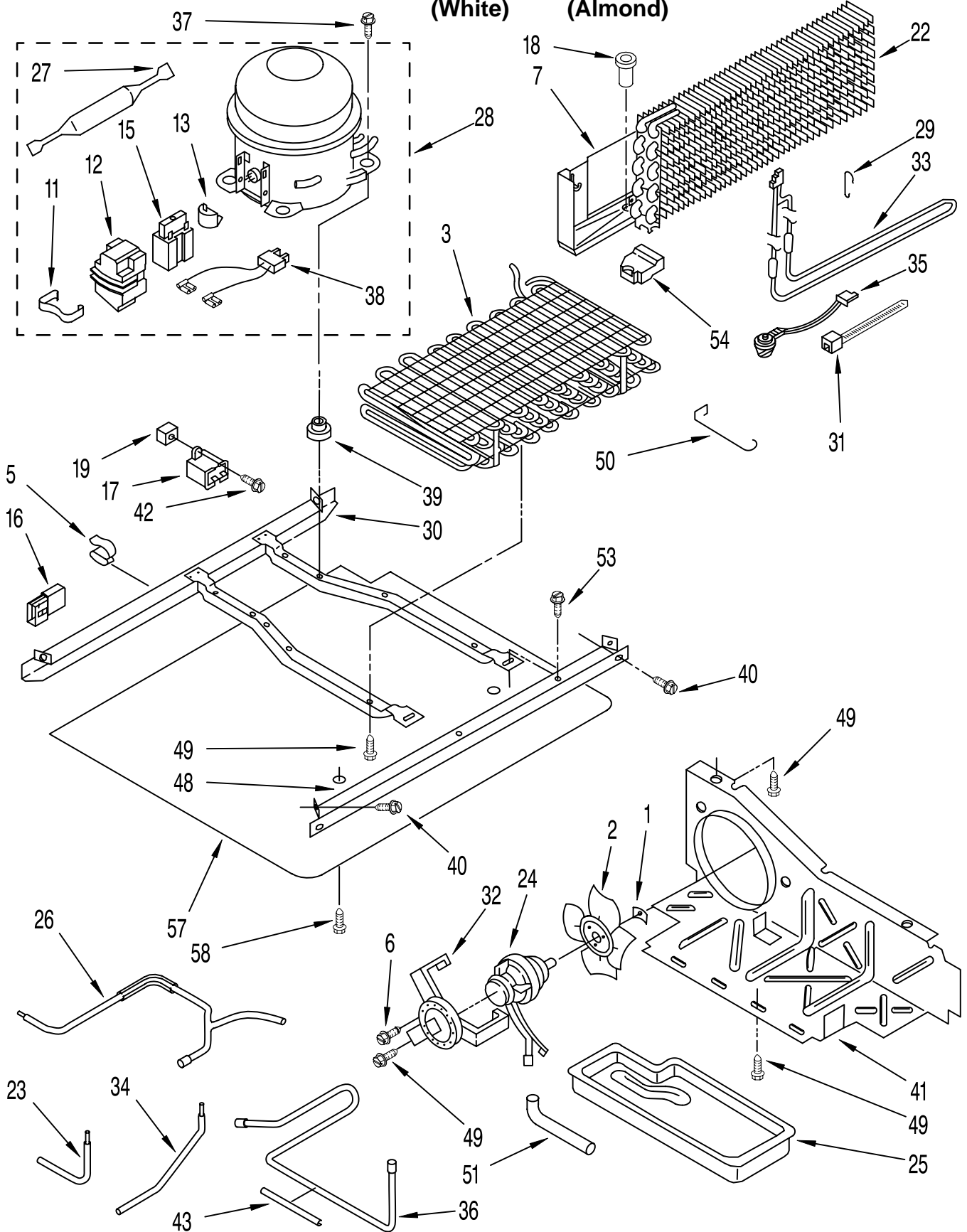
FOR ORDERING INFORMATION REFER TO PARTS PRICE LIST

# UNIT PARTS

For Model: KTRC22KBWH00, KTRC22KBAL00

(White)

(Almond)



FOR ORDERING INFORMATION REFER TO PARTS PRICE LIST

# UNIT PARTS

For Model: KTRC22KBWH00, KTRC22KBAL00

(White) (Almond)

Illus. Part No. No. DESCRIPTION	Illus. Part No. No. DESCRIPTION	Illus. Part No. No. DESCRIPTION	
1 486692 Speed Nut	24 2154735 Fan, Motor	50 1105612 Guard, Fan	
2 851732 Fan, Blade	25 2154114 Tray, Evaporator	51 2154119 Drain Extension	
3 2154010 Condenser Assembly	26 2162475 Tube, Discharge	53 488454 Screw, 1/4-28 x 1/2	
5 548745 Clip, Wire (2)	27 2164409 Drier	54 Support-Evaporator	
6 489019 Screw, 8-32 x 3/8	28 2162354 Compressor (Includes Items 11, 12, 13, 15, 27 & 38) (Also Order 876765 Tube Kit)	54 1118805 R.S. 2159708 L.S.	
7 2153974 Drain Pan & Heat Shield Strap	29 2149120 Support-Heater	57 2160505 Cover-Unit Btm.	
11 2165001 Production 938384 Service	30 2160500 Unit Mounting Frame	58 489396 Clip	
12 2162358 Production 1108115 Service	31 2155774 Strap	<b>Following Parts Not Illustrated and Optional Parts Not Included</b>	
13 2159596 Production (Includes Relay)	32 2162062 Fan, Motor Bracket	978025 Valve, Access (1/4")	
12 2154760 Service (Includes Relay)	33 2162019 Heater-Defrost To Heat Loop	978026 Valve, Access (5/16")	
15 Relay (See Overload)	34 2154032 Tube, Condenser	978027 Valve, Access (3/8")	
16 1118850 Housing Plug	35 2149643 Bi-Metal, Defrost	978028 Valve, Access (1/2")	
17 2154565 Capacitor	36 2162472 Tube, Suction	978029 Valve, Access (5/8")	
18 2172811 Drain Fitting	37 489373 Screw, 1/4-28 x 1	978030 Valve, Access (3/4")	
19 509812 Grommet, Screw	38 1127675 Wire Asm. Service	876764 Valve, Access (3/16")	
22 2153978 Evaporator	39 1100826 Grommet (4)		
23 2154109 Tube, Process	40 489340 Screw		
	41 2162457 Air Baffle		
	42 488687 Screw, 8 x 5/8		
	43 2162499 Sleeve		
	48 2149717 Unit Mounting Rail		
	49 489337 Screw		
		<b>REFRIGERANT CHARGE</b>	
		5.5 Ozs.	

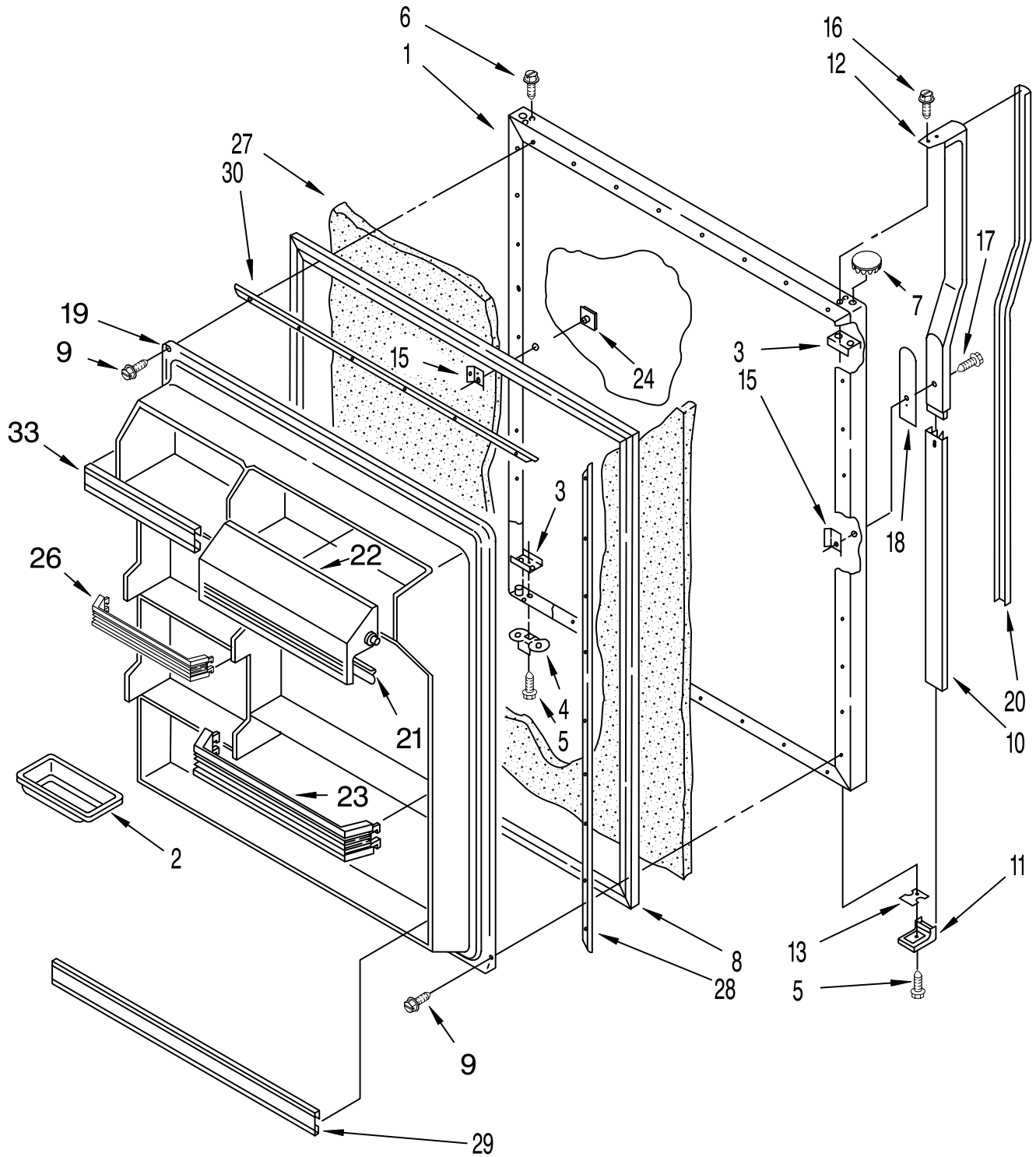
**Production Compressor Requires Production Electrical Components.  
Service Compressor Requires Service Electrical Components.  
For Further Information, Refer to Filmcard 19.1.**





# REFRIGERATOR DOOR PARTS

For Model: KTRC22KBWH00, KTRC22KBAL00  
(White) (Almond)



FOR ORDERING INFORMATION REFER TO PARTS PRICE LIST

# REFRIGERATOR DOOR PARTS

For Model: KTRC22KBWH00, KTRC22KBAL00

(White) (Almond)

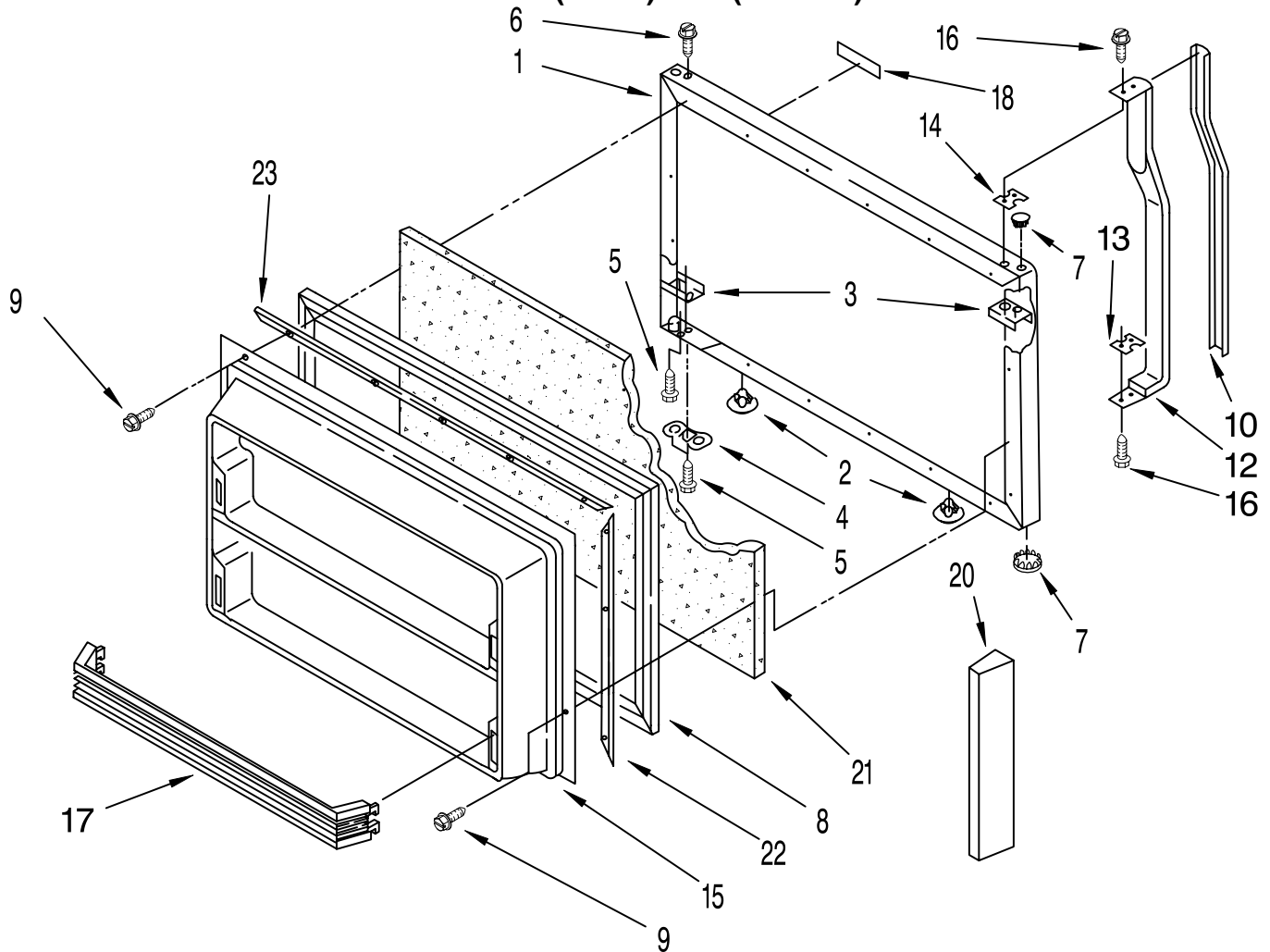
Illus. No.	Part No.	DESCRIPTION
1		Panel, Refrigerator Door
	1122549	White
	1122658	Almond (Also Order Item 27)
2	1125936	Butter Tray
3	943185	Plate, Tap (4)
4	944036	Bracket, Door Stop
5	488921	Screw, 8 x 1/2
6	489028	Screw, 8-15 x 1/2
7		Hole Plug
	844478	White
	989196	Almond
8	2148565	Door Gasket, Magnetic
9		Screw
	489101	7 x 1/2 (20)
	489287	(8)
	489084	(Repair)
10	1107209	Retainer, Insert
11	1107236	End Cap, Handle
12	2161508	Handle
13	2151813	Shim, End Cap
15	2151669	Screw Anchor (2)
16	489006	Screw, 8 x 5/8
17	487909	Screw, 8 x 1/2
18	1107650	Spacer, Handle
19	1126203	Interior Door Panel
20		Insert, Handle
	2161513	White
	2161514	Almond
21	1125695	Gasket, Door Util.
22	1125733	Utility Door
23	1126206	Shelf Bin (Wide)
24		Hole Plug, Handle
	1122653	White
	1122654	Almond
26	1125676	Shelf Bin (2)
27	876029	Foam Insulation (Required When Replacing Exterior Door Panel)
28	1122551	Retainer, Gasket
29	1125557	Trim, Door Shelf
30	1122552	Retainer, Gasket
33	1126497	Trim, Door Shelf

FOR ORDERING INFORMATION REFER TO PARTS PRICE LIST

# FREEZER DOOR PARTS

For Model: KTRC22KBWH00, KTRC22KBAL00

(White)      (Almond)



Illus. No.	Part No.	DESCRIPTION
1		Panel, Freezer Door (Also Order Item 21)
	2159160	White
	2159163	Almond
2		Hole Plug (2)
	534927	White
	989197	Almond
3	943185	Plate, Tap (4)
4	944035	Bracket, Door Stop
5	488921	Screw, 8 x 1/2
6	489028	Screw

Illus. No.	Part No.	DESCRIPTION
7		Hole Plug
	844478	White
	989196	Almond
8	2148567	Door Gasket, Magnetic
9		Screw
	489101	7 x 1/2 (12)
	489287	(8)
	489084	(Repair)
10		Insert, Handle
	2161540	White
	2161541	Almond
12	2161517	Handle
13	2151813	Spacer, Handle

Illus. No.	Part No.	DESCRIPTION
14	1107628	Spacer, Handle
15	1117940	Interior Door Panel
16	489006	Screw, 8 x 5/8
17	1125557	Shelf Bin (2)
18		Nameplate
	2168802	White Model
	2168803	Almond Model
20	1125577	Dike, Door (2)
21	876029	Kit, Foam Slab (Required When Replacing Exterior Door Panel)
22	1122553	Retainer, Gasket
23	1122552	Retainer, Gasket

FOR ORDERING INFORMATION REFER TO PARTS PRICE LIST