

Brightly Beam 5R

User Manual



KEEP THIS MANUAL FOR FUTURE NEEDS



Thank you for your patronage. We are confident that our excellent products and service can satisfy you. For your own safety, please read this user manual carefully before installing the device.

In order to install, operate, and maintain the lighting safely and correctly. We suggest that the installation and operation should be done by the verified technician and follow the instruction Strictly.



CAUTION!

Keep this device away from rain and moisture !



CAUTION!

Unplug mains lead before opening the housing.

Every person involved with the installation, operation and maintenance of this device has to:

- be qualified
- follow carefully the instructions of this manual

INTRODUCTION:

Thank you for having chosen this professional moving head.

You will see you have acquired a powerful and versatile device.

Unpack the device. Inside the box you should find:

1. One DMX Cable
2. Two omega clamps
3. User Manual

Please check carefully that there is no damage caused by transportation. Should there be any, consult your dealer and don't install this device.

Features:

- Lamp: Philips MSD Platinum 5R, YODN 5R or Jenbo NSK 5R Titanium .
- Color temperature: 8000K
- Channel : 20 DMX Channels
- Pan scan: 540°(16bit) Electric correction
- Tilt scan: 270° (16bit) Electric correction
- Amazing dot matrix ,four tact switch, 180° tuning show
- Color wheel: one color wheel, 14 kinds of color chips in one color wheel
- Gobo: 17 gobos
- Effect Wheel:Rotatable eight prism,effect move , frost
- 0-100% mechanical dimming, mechanical dimming and free dimming available.
- strobe macro control available.
- Lens optical system mechanical focus .beam angle 0~4°
- Over heat protection
- Power: 100-240V, 50/60Hz
- Consume power: 350W
- IP level :IP20
- Magnetic ballast and AC/Dc power supply
- Product Size: 523×337×511mm
- Packing Size: 635X440X725mm
- Net Weight: 18.6KG

Overview



Front View



Back View



CAUTION!

Be careful with your operations. With a dangerous voltage you can suffer a dangerous electric shock when touching wires!

This device has left the factory in perfect condition. In order to maintain this condition and to ensure a safe operation, it is absolutely necessary for the user to follow the safety instructions and warning notes written in this user manual.

Important:



Damages caused by the disregard of this user manual are not subject to warranty. The dealer will not accept liability for any resulting defects or problems.

If the device has been exposed to temperature changes due to environmental changes, do not switch it on immediately. The arising condensation could damage the device. Leave the device switched off until it has reached room temperature.

This device falls under protection-class I. Therefore it is essential that the device be earthed.

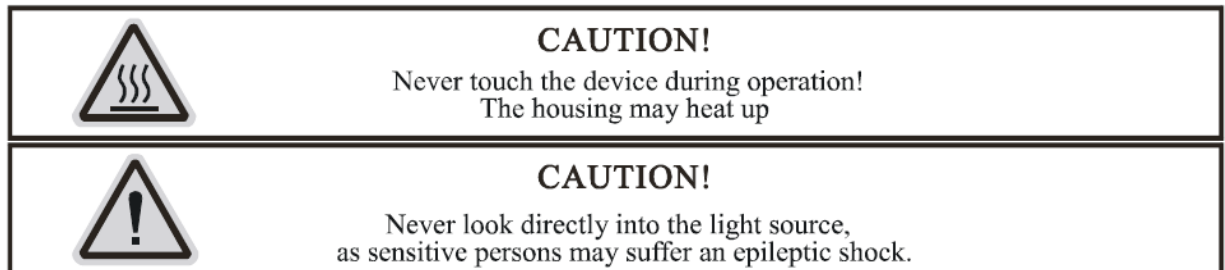
The electric connection must carry out by qualified person. Make sure that the available voltage is not higher than stated at the end of this manual.

Always disconnect from the mains, when the device is not in use or before cleaning it. Only handle the power cord by the plug. Never pull out the plug by tugging the power cord.

During initial start-up some smoke or smell may arise. This is a normal process

and does not necessarily mean that the device is defective, it should decrease gradually. Please don't project the beam onto combustible substances.

If the external flexible cable or cord of this luminaire is damaged, it shall be exclusively replaced by the manufacturer or his service agent or a similar qualified person in order to avoid a hazard.



Please be aware that damages caused by manual modifications to the device are not subject to warranty. Keep away from children and non-professionals.

GENERAL GUIDELINES

This device is a lighting effect for professional use on stages, in discotheques, theatre, etc., the device was designed for indoor use only.

This fixture is only allowed to be operated with the max alternating current which stated in the technical specifications in the last page of this manual.

Lighting effects are not designed for permanent operation. Consistent operation breaks may ensure that the device will serve you for a long time without defects.

Do not shake the device. Avoid brute force when installing or operating the device.

While choosing the installation-spot, please make sure that the device is not exposed to extreme heat, moisture or dust. Please don't project the beam onto combustible substances. The minimum distance between light-output from the projector and the illuminated surface must be more than 5 meter.



If you use the quick lock cam in hanging up the fixture, please make sure the quick lock fasteners turned in the quick lock holes correctly.

Operate the device only after having familiarized with its functions. Do not permit operation by persons not qualified for operating the device. Most damages are the result of unprofessional operation.

For safety reasons, please be aware that all modifications on the device are forbidden.

If this device will be operated in any way different to the one described in this manual, the product may suffer damages and the guarantee becomes void. Furthermore, any other operation may lead to short-circuit, burns, electric shock, lamp explosion, crash, etc.

Installing or replacing the lamp:

	CAUTION! Only install the lamp with the device unplugged from the mains.
	CAUTION! The lamp has to be replaced when it is damaged or deformed.

Before replacing the lamp let the lamp cool down, because during operation, the lamp can reach very high temperature.

During the installation of halogen lamps do not touch the glass bulbs bare handed. Always use a cloth to handle the lamps during insertion and removal. Do not install lamps with a higher wattage. They generate higher temperatures than which the device was designed for.

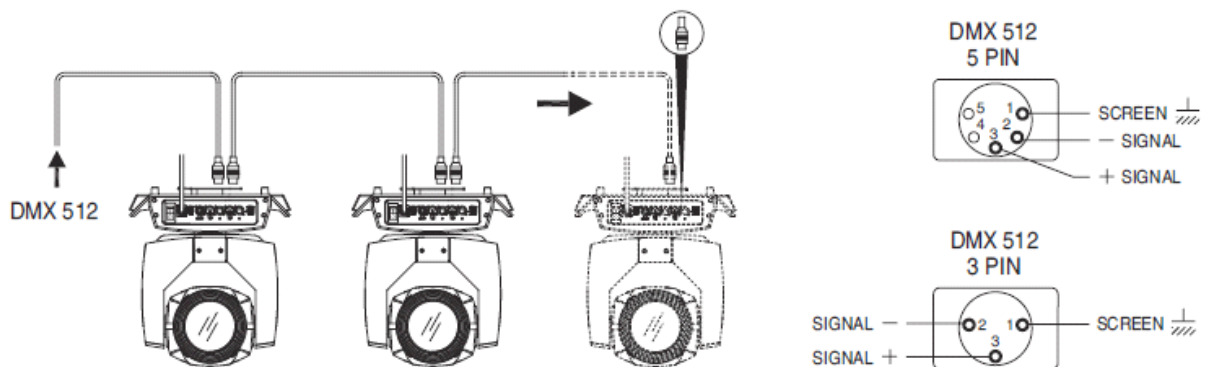
For safety reasons, please be aware that all modifications on the device are forbidden.

DMX-512 control connection

Connect the provided XLR cable to the female 3-pin XLR output of your controller and the other

side to the male 3-pin XLR input of the moving head. You can chain multiple

Moving head together through serial linking. The cable needed should be two core, screened cable with XLR input and output connectors. Please refer to the diagram below:



Menu Discription

1. A001 display the products' DMX address

001 for setting the products' DMX address cord

This function is used to set or adjust the fixture's starting DMX address. Every device controlled by DMX has to have a unique starting address.

The addressing feature is what allows DMX to function properly. The DMX address of a fixture is what allows it to communicate with a controller properly.

2. Rpan: Rotation Pan

This function allows you to invert all pan movements. Use the Up and Down buttons to turn this function On or Off. Press the Enter button to accept the change or the Mode button to cancel and return to the main menu.

3. Rtil: Rotation Tilt

Tilt Reverse - This function allows you to invert all tilt movements. Use the Up and Down buttons to turn this function On or Off. Press the Enter button to accept the change or the Mode button to cancel and return to the main menu.

4. Mode: DMX Control mode, Auto mode, Sound Mode

This function allows you to choose different work mode. By DMX Control Mode, you can control via DMX512 Controller, by Auto Mode the lights can auto run by self, by Sound Mode the light can control by music

5. Disp: 3 Modes:

MODE1:Normal display

MODE2:Half bright

MODE3:Close (return by any key)

This function allows you to choose different display mode.

6. Lamp: Control the lamp on / off . This function allows manual control of the lamp power via the on-board system menu.

"ON" mode ,click the button ,until appear "OK",and click again ,setting to :lamp on when turn on the light .

"OFF" mode,click the button ,until appear "OK",and click again,setting to:"lamp off when turn on the light.

7. Rset: Reset and enter, after 3 seconds, it will be reset.

The reset function returns a motor to the "Home" position. The light will be restart.

8. urn: Show 180 degree rotation

This function allows the light show 180 degree rotation.

9. OPTO: Optocoupler Error Correction

This function allows the light without or have Optocoupler Error Correction

DMX channel's functions and their values (16 DMX channels):

Channel	DMX No	Content
1CH Color	0-4	White
	5-8	White+Color1
	9-12	Color1
	13-17	Color1+Color2
	18-21	Color2
	22-25	Color2+Color3
	26-29	Color3
	30-34	Color3+Color4
	35-38	Color4
	39-42	Color4+Color5
	43-46	Color5
	47-51	Color5+Color6
	52-55	Color6
	56-59	Color6+Color7
	60-63	Color7
	64-68	Color7+Color8
	69-72	Color8
	73-76	Color8+Color9
	77-81	Color9
	82-85	Color9+Color10
	86-89	Color10
	90-93	Color10+Color11
	94-98	Color11
	99-102	Color11+Color12
	103-106	Color12
	107-110	Color12+Color13
	111-115	Color13
	116-119	Color13+Color14
	120-123	Color14
	124-127	Color14+Color15
	128-255	Color15
2CH Strobe	0-3	White
	4-103	Slow strobe to fast strobe
	104-107	White

	108-207	Fast strobe to slow strobe
	208-212	white
	213-225	Free strobe ,slow
	226-138	Free strobe ,middle
	239-251	Free strobe ,fast
	252-255	White
3CH Dimming	0-255	0-100%
4CH Gobo	0-3	White
	4-7	Gobo1
	8-11	Gobo2
	12-15	Gobo3
	16-19	Gobo4
	20-23	Gobo5
	24-27	Gobo6
	28-31	Gobo7
	32-35	Gobo8
	36-39	Gobo9
	40-43	Gobo10
	44-47	Gobo11
	48-51	Gobo12
	52-55	Gobo13
	56-59	Gobo14
	60-63	Gobo15
	64-67	Gobo16
	68-71	Gobo17
	72-113	Gobo change ,fast to slow
	114-117	Stop
	118-159	Gobo change ,slow to fast
	160-166	Gobo2,shaking slow to fast
	167-172	Gobo3,shaking slow to fast
	173-179	Gobo4,shaking slow to fast
	180-185	Gobo5,shaking slow to fast
	186-191	Gobo6,shaking slow to fast
	192-198	Gobo7,shaking slow to fast
	199-204	Gobo8,shaking slow to fast
	205-211	Gobo9,shaking slow to fast
	212-217	Gobo10,shaking slow to fast
	218-223	Gobo11,shaking slow to fast

	224-230	Gobo12,shaking slow to fast
	231-236	Gobo13,shaking slow to fast
	237-243	Gobo14,shaking slow to fast
	244-249	Gobo15,shaking slow to fast
	250-255	Gobo16,shaking slow to fast
5CH Prism	0-127	White
	128-255	Prism
6CH Prism Rotate	0-20	Angle 0
	21-41	Angle90
	42-62	Angle180
	63-83	Angle270
	84-104	Angle360
	105-126	Angle450
	127	Angle540
	128-190	Fast rotate to Slow rotate
	191-192	stop
	193-255	Slow rotate to fast rotate
7CH Empty	0-255	
8CH Frost	0-255	0-100% Frost
9CH Focus	0-255	0-100% Focus
10CH X	0-255	540°
11CH X fine	0-255	1.8°
12CH Y	0-255	270°
13CH Y fine	0-255	1.8°
14CH Macro Function	0-11	
	12-24	
	25-37	
	38-50	
	51-62	
	63-255	
15CH Reset	128	Reset
16CH Lamp	63	Off
	178	On
17CH X.Y axis speed adjust	0-255	linearity control
18CH color speed adjust	0-255	linearity control
19CH Focus speed adjust	0-255	linearity control
20CH Patterns speed adjust	0-255	linearity control

CLEANING AND MAINTENANCE

The following points have to be considered during the inspection:

- 1) All screws for installing the devices or parts of the device have to be tightly connected and must not be corroded.
- 2) There must not be any deformations on the housing, color lenses, fixations and installation spots (ceiling, suspension, trussing).
- 3) Mechanically moved parts must not show any traces of wearing and must not rotate with unbalances.
- 4) The electric power supply cables must not show any damage, material fatigue or sediments.



CAUTION!

Disconnect from mains before starting maintenance operation.

In order to make the lights in good condition and extend the life time, we suggest a regular cleaning to the lights.

- 1) Clean the inside and outside lens each week to avoid the weakness of the lights due to accumulation of dust.
- 2) Clean the fan each week.
- 3) To make sure the smooth gobo rotation, we suggest adding proper lube to the wheel each three month, avoiding the excessive lube splashes during the gobo rotating.
- 4) A detailed electric check by approved electrical engineer each three month, make sure that the circuit contacts are in good condition, prevent the poor contact of circuit from overheating.

TECHNICAL SPECIFICATIONS:

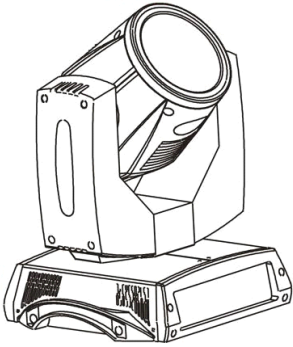

Power supply: AC 100V-240V~, 50Hz/60Hz

Power consumption: 350W

Net weight: 18.6KGS

Gross weight: 21.6 KGS

PACKING VIEW:

<p>190mm</p>	
<p>480mm</p>  <p>560mm</p> <p>C/NO.: _____</p>	 <p>ITEM NO: VOLT: <input type="checkbox"/> 220V <input type="checkbox"/> 110V QTY: PCS1 N.W.: KGS G.W.: KGS MEAS: 510X440X790MM MADE IN CHINA</p>

Remark: errors and omissions for every information given in this manual excepted. All information is subject to change without prior notice.