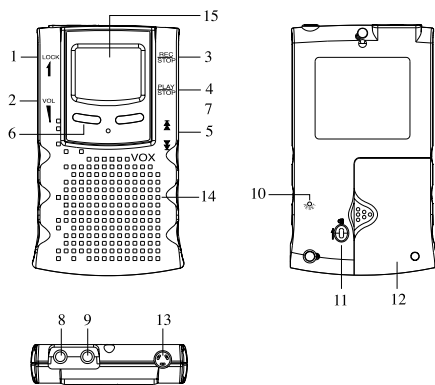


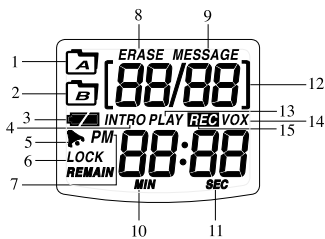
**INTRODUCTION AND FEATURES**

Thank you for purchasing the VR268 Digital Voice Recorder. VR268 is not only easy to use, it is also so small in size that you can bring along for recording voice memo, conversion and discussion. VR268 allows you to save up to 198 messages with a total of 32 minutes and organize them into 2 separate folders. The messages will remain intact even when the batteries are remove because of the non-volatile memory employed. Other features of the product include:

- **Automatic gain control (AGC)**  
Maintains good recording quality independent of voice loudness
- **Voice activated recording (VOX)**  
Starts and stops recording automatically by detecting voice activity
- **Battery status indication (3 levels)**  
Indicates battery and reminds users to replace battery when necessary
- **Scan playback (first 5 sec. for each message)**  
Helps users to search for the desired message
- **Button lock (HOLD)**  
Prevents buttons from being activated accidentally
- **Input for external microphone (3.5mm jack)**  
Extend recording range with external microphone
- **Output for external headphone (3.5mm jack)**  
Enables users to listen to recorded messages privately
- **Alarm clock**  
Shows current time and alarm daily at preset time

**CONTROL BUTTONS**


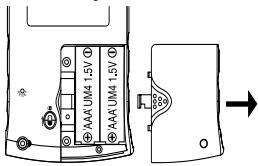
1. **LOCK slide switch**  
Locks all control buttons
2. **VOLUME dial**  
Adjusts the volume output of the speaker and earphone connector
3. **REC/STOP button**  
Starts or stops a recording
4. **PLAY/STOP button**  
Plays or stop a playback
5. **SKIP/REV button**  
Locates a message by skipping forward or backward
6. **MENU button**  
Selects a function
7. **ERASE button**  
Erases a message
8. **Earphone connector**  
Accepts an optional earphone
9. **MIC connector**  
Accepts an optional microphone
10. **RESET button**  
Returns all settings to default values
11. **Battery door lock**  
Locks the battery door
12. **Battery door**
13. **Built-In Microphone**
14. **Speaker**
15. **LCD Indicators**



1. Folder A
2. Folder B
3. Battery level
4. Scanning playback
5. Alarm Status
6. Lock status
7. PM time
8. Erase
9. Time/message information
10. Minutes
11. Seconds
12. Message number and count
13. Playback
14. VOX on
15. Record

**PREPARATION**
**INSTALLING BATTERIES**

Two AAA-size (UM-4) batteries are required. Alkaline batteries are recommended for best performance.



1. Stop playback or recording
2. Unlock the battery door.
3. Open the battery compartment door.
4. Insert the batteries according to the indicated polarity.
5. Replace the battery compartment door.
6. Lock the battery door.

The battery level is indicated on the LCD. Change the batteries when the "BATT" is shown.

**Caution:**

- Removing battery during recording may lead to corruption of memory data.
- Do not reverse polarity of the batteries.
- Use only fresh batteries of the required size and recommended type.
- Do no mix old and new batteries, different types of batteries (standard, alkaline, or rechargeable), or rechargeable batteries of different capacities.
- Dispose of old batteries promptly and properly. Do not burn or bury them.
- If you do not plan to use the recorder for a week or longer, remove the batteries. Batteries can leak chemicals that can destroy electronic parts.

**SETTING THE CLOCK**

1. Press and hold MENU in clock mode. The hour digits blink.
2. Press SKIP/REV to enter the hour.
3. Press MENU. The minute digits blink.
4. Press SKIP/REV to enter the minute.
5. Press MENU to resume normal operation.

**SETTING ALARM**

1. Press MENU in clock mode to display the alarm time. "AL" is shown.
2. Press and hold MENU in clock mode. The hour digits blink.
3. Press SKIP/REV to enter the hour.
4. Press MENU. The minute digits blink.
5. Press SKIP/REV to enter the minute.
6. Press MENU to resume normal operation.

Alarm is turned on automatically when the alarm time has been changed.

**TURNING ALARM ON/OFF**

1. Press MENU in clock mode to display the alarm time.
2. Press SKIP/REV to turn it on or off. The ALARM ON indicator appears when alarm is turned on.

When the alarm sounds, press any button to stop the alarm or it stops automatically in 30 sec. if no button is pressed.

If the unit is in recorder mode at preset alarm time, the alarm does not sound even when alarm is turned on. The ALARM ON indicator blinks for 30 sec. unless any one of the buttons is pressed.

**OPERATION**
**OPERATING MODES**

There are two operating modes: clock and digital recorder. The clock mode is automatically selected upon reset and when the unit is left idle for 30 seconds.

To enter the digital recorder mode, press REC or PLAY. The selected folder, message information and the status of various settings are displayed. If REC is pressed to enter recorder mode, the unit starts recording right away.

To return to the clock mode, either leave the unit idle for a while or press MENU.

**SETTING OPTIONS**

There are three options you can set: the active folder, voice activated recording (VOX) on/off and button press confirmation tone on/off

1. Press and hold MENU in recorder mode. "FILE" and folder information are shown.
2. Press SKIP/REV to set the folder in use (folder A or folder B).
3. Press MENU to proceed to the next option. The VOX indicator is shown.
4. Press SKIP/REV to turn VOX on or off. If the function is turned ON, the unit pauses recording automatically when no voice is detected for 2 seconds.
5. Press MENU to proceed to the next option. "BEEP" is shown.
6. Press SKIP/REV to turn button press confirmation tone on or off.
7. Press MENU to resume normal operation.

**RECORDING MESSAGES**

1. Press REC to start recording. Various information of the message being recorded are shown and updated automatically.
2. Press REC again to stop recording.

**Note:**

- Press MENU during the recording process to display the available capacity.
- When the number of messages reaches 99 or the 16 minutes recording time available in a folder is used up, "FULL" is shown. You may continue recording with the other folder.
- When VOX is turned on, the unit pauses recording when no voice is detected for 2 seconds. Recording is resumed as soon as voice is detected again.

**PLAYING BACK MESSAGES**

When the unit is in recorder mode:

1. Press SKIP/REV to select the message to be played back. Various information of the message are shown.
2. Press PLAY to start playing back.
3. Press PLAY again to stop.

**Note:**

- Press SKIP/REV to go to the previous message, the beginning of the current message or the next message during playback.

**ERASING MESSAGES**

When the unit is in recorder mode:

1. Press SKIP/REV to select the message to be erased.
2. Press ERASE to erase. The message number and count blinks.
3. Press ERASE again to confirm.

**Note:**

- All messages in a folder may be erased at the same time by:
  1. Press and hold ERASE to erase all messages. "ALL" blinks.
  2. Press ERASE again to confirm

**LOCATING MESSAGES**

When the unit is idle in recorder mode

1. When the unit is idle in recorder mode
  - Press SKIP/REV to go to the previous or the next
2. When a message is being played back
  - Press SKIP/REV to go to the previous message, the beginning of the current message or the next message during playback.

**SCANNING MESSAGES**

When the unit is in recorder mode

1. Press and hold PLAY. The INTRO indicator blinks. The first 5 seconds of the messages is played back and the unit proceeds to the next message automatically.
2. Press PLAY to stop.

**LOCKING BUTTONS**

1. Slide LOCK to the lock position to lock the control buttons. LOCK indicator appears.
2. Slide LOCK to unlock position to unlock the control buttons.

**Note:**

- The LOCK indicator blinks when button is pressed and the buttons are locked.

**ADJUSTING VOLUME**

Turn the VOL dial to adjust the output volume of the speaker and earphone to the desired level.

**CONNECTING EARPHONE**

Plug-in an earphone (not included) with a 3.5mm mini-plug to listen to recorded messages privately. The built-in speaker is disabled automatically.

**Warning:**

- To protect your hearing:
  1. Set the volume to the lowest setting before you begin listening and adjust the volume to a comfortable level eventually.
  2. Do not listen at extremely high volume levels or you risk to lose hearing permanently.
  3. Once you set the volume, do not increase it. Your ears adapt to higher volumes over time. So, a volume level that does not cause discomfort might still damage your hearing.
- To protect others:
  1. Do not wear earphones while operating a motor vehicle or riding a bicycle. This lead to traffic accident and may be illegal in some area.

**CONNECTING EXTERNAL MICROPHONE**

Plug-in a microphone (not included) with a 3.5mm mini-plug to extend the recording range. The built-in microphone is disabled automatically.

**RESETTING THE UNIT**

Press RESET to return all settings to default values.

**Note:**

- Use only a blunt stylus to press RESET.
- You may need to reset the unit if it is not function properly.
- Recorded messages are not erased after reset.

**NOTICE:**

The product might not function properly in case of electrostatic discharge. In that case, resetting (by pressing the RESET button) is required to bring it back to normal.

**Warning:**

- You may need to perform a full reset if the unit does not function properly even after reset. To perform a full reset, press and hold ERASE when RESET is pressed.
- Recorded messages in both folders are erased after full reset

**TROUBLESHOOTING**

Problem	Suggestion
Nothing happens after pressing a button	<ul style="list-style-type: none"> <li>• Make sure LOCK slide switch is in unlocked position</li> <li>• Make sure that fresh batteries are correctly installed</li> <li>• Make sure that batteries are inserted in correct polarity.</li> </ul>
There is no sound	<ul style="list-style-type: none"> <li>• Make sure the volume is turned up</li> <li>• Make sure an earphone is not connected to the recorder</li> </ul>
No sound is recorded with external microphone	<ul style="list-style-type: none"> <li>• Make sure that the microphone is fully plugged in</li> <li>• Make sure that dynamic type of microphone is used</li> </ul>
The recorder does not record	<ul style="list-style-type: none"> <li>• Make sure that the no. of message in the selected folder is less than 99</li> <li>• Make sure that the total length of recorded messages in the selected folder is less than 16 min.</li> </ul>
"DOOR" is shown	<ul style="list-style-type: none"> <li>• Make sure that the battery door lock is in locked position</li> </ul>
"BATT" is shown	<ul style="list-style-type: none"> <li>• Make sure that fresh batteries are used</li> </ul>
Operation is not normal	<ul style="list-style-type: none"> <li>• Reset the unit and perform full reset when necessary</li> </ul>