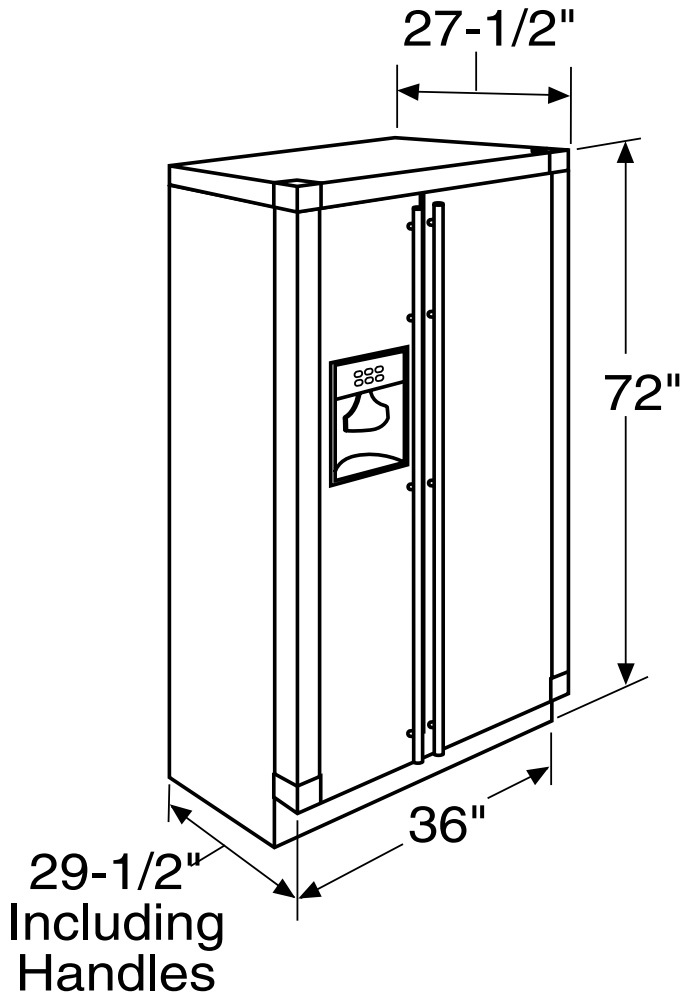


ZFSB23DXSS

# GE Monogram® 23 Cu. Ft. Counter-Depth Free-Standing Side-by-Side Refrigerator with Dispenser

## Dimensions and Specifications (in inches)



### Installation Note:

Door and passageways into the installation location require a 36" minimum opening. If the opening is less than 36", the top cap and doors must be removed. See installation instructions for details.

### Electrical

A 115V, 60Hz., 15 or 20 amp power supply is required. An individual properly grounded branch circuit or circuit breaker is recommended. Install a properly grounded 3-prong electrical receptacle recessed into the back wall.

**Note:** GFI (ground fault interrupter) is not recommended.

### Water Line

The water line can enter the opening through the floor or back wall. Route 1/4" O.D. copper tubing or GE QuickConnect kit between the cold water line and the water connection location at the rear of the refrigerator. The installation of an easily accessible shut-off valve in the water line is required. Allow 19" minimum clearance on the fresh food side for a full 160° door swing and pan removal. Allow 14-1/4" clearance on the freezer side for removal of ice bin.

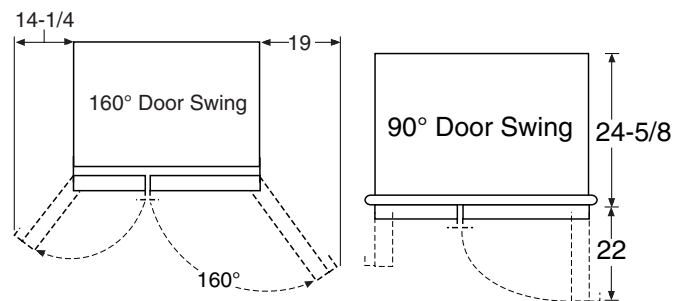
- 4" minimum clearance is required when the door swing is restricted to 90°.

### Air Circulation Clearances

Allow 1/8" on each side and 1" at the top and back side for proper air circulation.

### Door Swing Clearances

The installation must allow for clearances to adjacent walls or cabinets. These refrigerators are factory set for a 160° door swing.



For answers to your Monogram®, GE Profile™ or GE® appliance questions, visit our website at [ge.com](http://ge.com) or call GE Answer Center® service, 800.626.2000.



imagination at work



Listed by  
Underwriters  
Laboratories



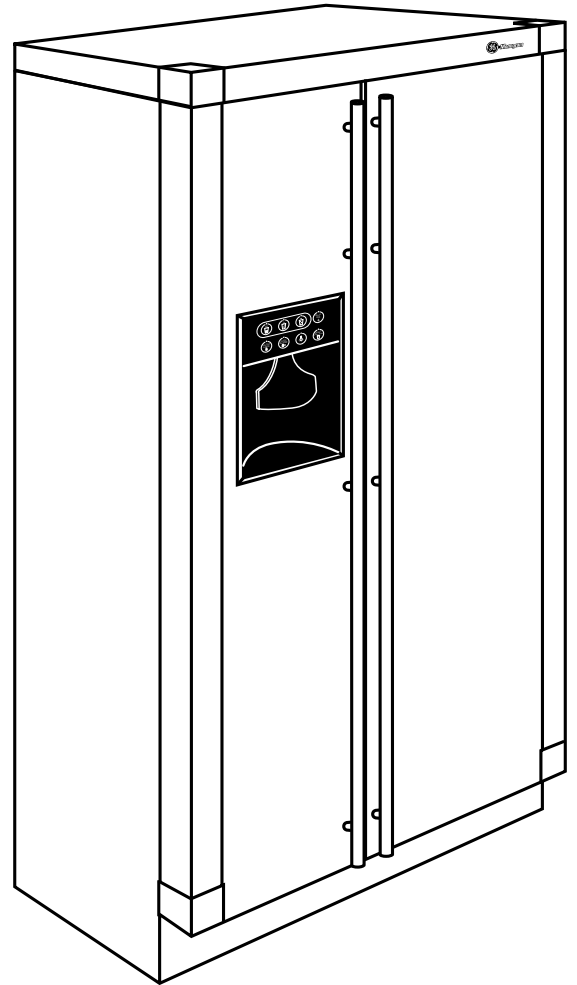
As an ENERGY STAR® partner, GE has determined that this product meets the ENERGY STAR guidelines for energy efficiency.

# ZFSB23DXSS

## GE Monogram® 23 Cu. Ft. Counter-Depth Free-Standing Side-by-Side Refrigerator with Dispenser

### Features and Benefits

- Counter-Depth — Aligns nearly flush with surrounding cabinetry
- Integrated Design — Stainless steel-wrapped with signature Monogram handles matches with other Monogram integrated appliances
- Advanced Temperature Management System with Multi-Shelf Air Tower — Provides even distribution of air throughout the refrigerator
- Tri-Level Lighting - GE Reveal® and LED lighting illuminates the entire refrigerator
- Climate-Control Drawer — Express-chill beverages, express-thaw meats and select specific temperatures for perishable foods
- ENERGYSTAR® Qualification — Higher energy efficiency means lower utility bills
- Full-Extension Freezer Baskets — Extends 12" beyond the cabinet, providing easy loading and unloading
- Tilt-Out Freezer Door Bins - Move forward for convenient access
- Integrated Ice™ System - Frees up valuable freezer space; It tilts down, providing easy access to bulk ice
- GE Water Filtration System - Delivers clean great-tasting water and ice through the dispenser
- Adjustable Slide-Out, Spillproof Glass Shelves - Raised edges help contain spills and slide-out shelves make clean up quick and easy
- In-the-Door Beverage Rack - Conveniently located inside the refrigerator door to increase flexibility and to free up valuable shelf space
- Model ZFSB23DXSS – Stainless steel



imagination at work



Listed by  
Underwriters  
Laboratories



As an ENERGY STAR® partner, GE has determined that this product meets the ENERGY STAR guidelines for energy efficiency.