

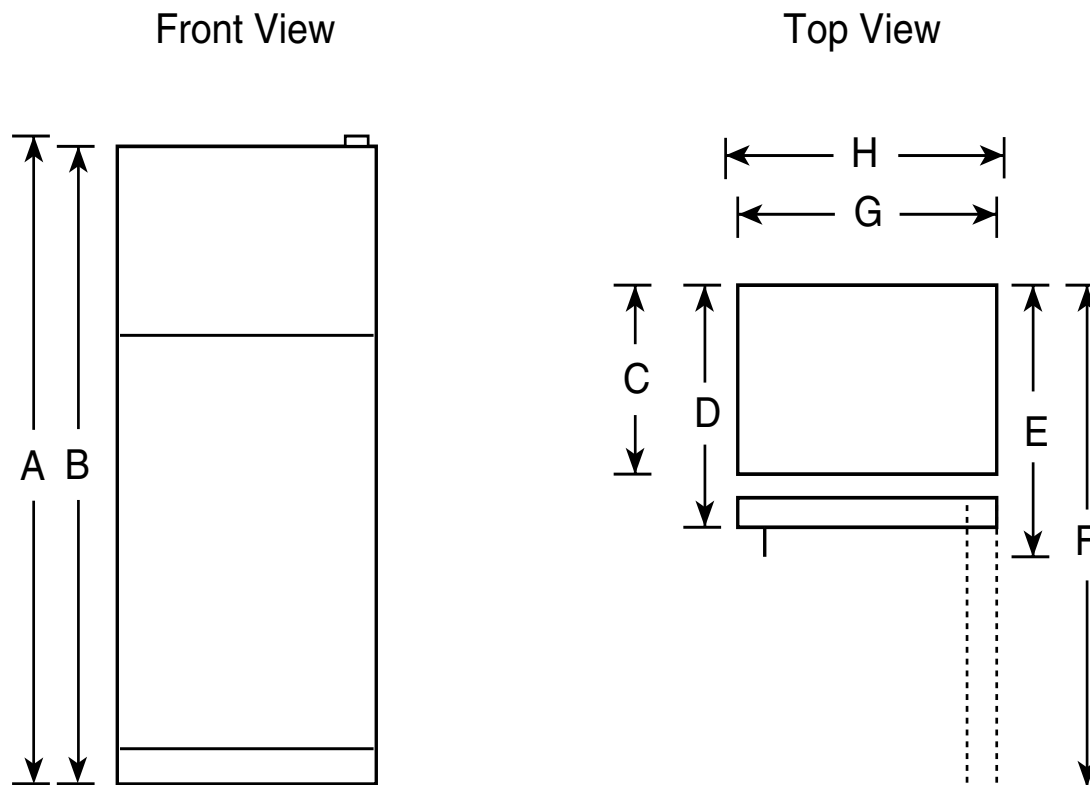
# GTS18SCX

## GE® 17.9 Cu. Ft. Stainless Top-Freezer Refrigerator

### Dimensions and Installation Information (in inches)

Overall Dimensions	Height to top of hinge (in.) <b>A</b>	66-5/8
	Height to top of case (in.) <b>B</b>	66-1/8*
	Case depth without door (in.) <b>C</b>	27-1/2
	Case depth less door handle (in.) <b>D</b>	30-1/4
	Case depth with door handle (in.) <b>E</b>	32-1/8
	Depth with fresh food door open 90° (in.) <b>F</b>	58-1/8
	Width (in.) <b>G</b>	29-1/2
	Width with door open 90° inc. door handle (in.) <b>H</b>	32
Air Clearances	Each side (in.)	1/8
	Top (in.)	1
	Back (in.)	1

\*Height to mid-freezer (in.): 53-15/16



For answers to your Monogram,® GE Profile™ or GE® appliance questions, visit our website at [ge.com](http://ge.com) or call GE Answer Center® service, 800.626.2000.



Specification Created 8/08

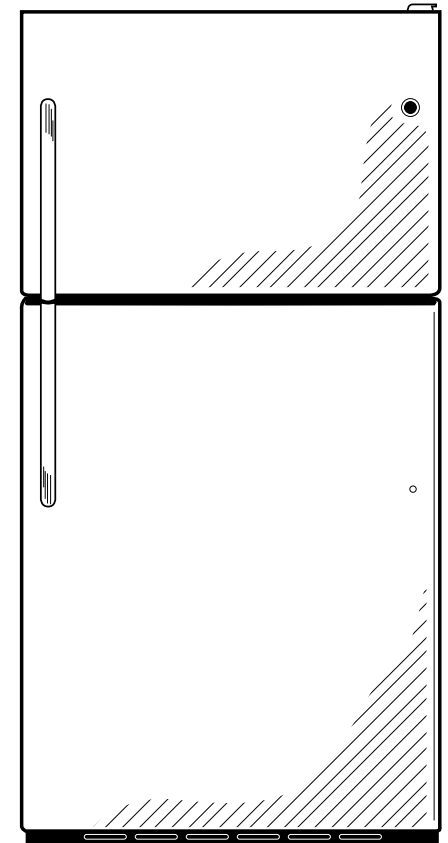
310327

# GTS18SCX

## GE® 17.9 Cu. Ft. Stainless Top-Freezer Refrigerator

### Features and Benefits

- Stainless Steel Exterior - Convey a look of utmost polish and sophistication
- Spillproof Glass Shelves - Help contain spills for ease of cleaning
- Factory-Installed Icemaker - Makes ice automatically ensuring a ready supply
- Illuminated Upfront Slimline Temperature Controls - Offer maximum style and convenience
- Adjustable Humidity Vegetable/Fruit Crispers - Provides the ideal storage environment to keep fruits and vegetables fresh
- Spillproof Freezer Floor - Seamless design offers easy cleanup
- Adjustable Gallon Door Bins - Provides additional storage space for milk and other gallon-size containers
- NeverClean™ Condenser - Condenser coils are encased, so they don't require cleaning in normal operating environments
- Deluxe Quiet Design - Significantly reduces operating noise
- Model GTS18SCXSS - Stainless steel



imagination at work