



PD2SYS-48 SERIES

HEATED DISPLAY SYSTEMS



PD2SYS-48



- HALO HEAT ... a controlled, uniform heat source that gently holds and surrounds food for better appearance, taste, and longer holding life.

- Holds and displays hot food fresh and moist for hours — without adding water.

- Expandable system to meet your specific requirements.

- Matches profile of leading refrigerated display case.

- **HOT DISPLAY CASE**

- Curved glass styling.

- Displays hot food without condensation on glass.

- Thermostatically controlled heat source radiates from the base of the display case in multiple heat zones.

- Overhead light zones with shatterproof coated bulbs.

- Holds a full range of standard (gastronorm) pan sizes, full-size or half-size sheet pans.

- Tempered sliding glass doors reflect heat back into the products and mirror the display to enhance merchandising effect.

- **DECORATOR BASE**

- Standard black painted front and end panels.

The display case is constructed of 18 gauge, non-magnetic stainless steel and is mounted directly on top of one pedestal riser. A curved, tempered glass front encloses the display case and can be lifted to a 90 degree angle for easy cleaning. Removable, sliding glass doors on the operator side are included. Sliding door tracks have a "clean sweep" cutout allowing for easy cleaning and crumb removal. Framed end glass with rubber gasket material protects glass edges from chipping and breakage. The base is divided into two (2) individually managed heat zones with each zone controlled by a separate thermostat with a range of 1 through 10 and heat-on indicator light. Overhead lights are controlled by ON/OFF switches in two (2) light zones. Two (2) 125V plug outlets are available as an option on 120/208-240V units only.

PD2SYS-48 - 48" (1219mm) length



FACTORY INSTALLED OPTIONS

- Panel Color Choices

- Specify color choice:

- Black, standard

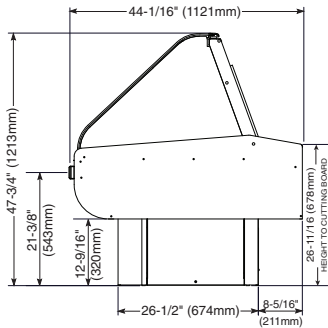
- Stainless Steel, optional

- Custom Color, optional

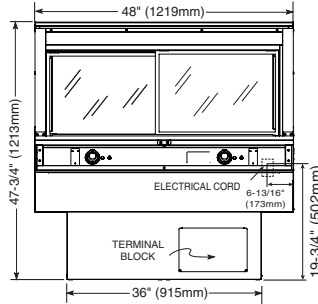


W164 N9221 Water Street • P.O. Box 450 • Menomonee Falls, Wisconsin 53052-0450 • U.S.A.
 PHONE: 262.251.3800 800.558.8744 U.S.A./CANADA FAX: 262.251.7067 800.329.8744 U.S.A. ONLY

www.alto-shaam.com



PD2SYS Profile



PD2SYS-48

INSTALLATION REQUIREMENTS

Display case must be installed level. The display case must not be installed in any area where it may be affected by steam, grease, dripping water, high temperatures, or any other severely adverse conditions.

Do not install a heated display case near a cold air source such as a freezer, air conditioning vents, or in any area where outside air fluctuation can affect performance.

WEIGHT

| MODEL | NET | SHIP |
|--|-----------------|-----------------|
| PD2SYS-48 | 420 lb (191 kg) | 490 lb (222 kg) |
| CRATED DIMENSIONS (EST.): H X W X D | | |
| 58" x 50" x 56" (1473mm x 1270mm x 1422mm) | | |

DIMENSIONS (H X W X D)

EXTERIOR, WITH PEDESTAL STYLE BASE:

47-3/4" x 48" x 44-1/16"
(1213 mm x 1219mm x 1121mm)

WELL DIMENSIONS (W X L X D):

27-3/16" x 45-5/16" x 4-1/2"
(690mm x 1151mm x 114mm)

ELECTRICAL

| VOLTAGE | PHASE | CYCLE/HZ | AMPS | kW | |
|------------------|-------|----------|------|-----|-------------------|
| 120/208-240 (UL) | 1 | 50/60 | 13.8 | 3.3 | |
| at 208 | 1 | 50/60 | 11.6 | 2.5 | BARE END, NO PLUG |
| at 240 | 1 | 50/60 | 13.0 | 3.1 | |
| 230 (CE) | 1 | 50/60 | 12.6 | 2.9 | |
| 230 | 1 | 50/60 | 12.6 | 2.9 | BARE END, NO PLUG |

PAN CONFIGURATION*

| PAN SIZE | DIMENSIONS | QTY. |
|--------------------------|-----------------------------|------|
| FULL-SIZE & ONE-THIRD**: | 12" x 20" x 2-1/2" (GN 1/1) | 3 |
| | 12" x 6" x 2-1/2" (GN 1/3) | 3 |
| HALF-SIZE & ONE-THIRD**: | 12" x 10" x 2-1/2" (GN 1/2) | 6 |
| | 12" x 6" x 2-1/2" (GN 1/3) | 3 |
| FULL-SIZE SHEET PANS: | 18" x 26" x 1" | 2 |
| MAX. CAPACITY/VOLUME: | 48 lbs (22 kg) | |
| | 30 qts (36 L) | |

* Pans are not included with display case.

** Will also accept 4" (100mm) deep pans.

SPECIFICATIONS

- Six (6) overhead lights with two (2) light zones.
- Two (2) base heat zones with two (2) adjustable thermostats with a range of 1 through 10, and two (2) heat-on indicator lights.
- Two (2) tinted, reflective, tempered glass sliding doors on operator side.
- One (1) 10" x 36" (254mm x 914mm) operator-side work shelf.

OPTIONS & ACCESSORIES

| | | |
|---|-----------------|---------|
| <input type="checkbox"/> BUTTING KIT | CONTACT FACTORY | |
| <input type="checkbox"/> CARVING STATION | 5001874 | |
| <input type="checkbox"/> GAUGE, INTERIOR AMBIENT TEMP. | GU-33384 | |
| <input type="checkbox"/> GLASS, TEMPERED END PANE, BRONZE KIT | 5008531 | |
| <input type="checkbox"/> INDEPENDENT ELECTRICAL OUTLET | 5001781 | |
| <input type="checkbox"/> PAN INSERT, SELF-SERVICE 4" (102mm) DEEP | 1001990 | |
| PANEL KIT, SYSTEM | | |
| <input type="checkbox"/> BRUSHED STAINLESS STEEL | | 5005144 |
| <input type="checkbox"/> CUSTOM COLOR | | 5005147 |
| PLATFORM SCALE | | |
| <input type="checkbox"/> LEFT-SIDE | | 5005338 |
| <input type="checkbox"/> RIGHT-SIDE | | 5005337 |
| SHEET PAN DIVIDER BAR PACKAGE | | |
| <input type="checkbox"/> FULL-SERVICE & SELF-SERVICE FULL CASES | | 5002802 |
| <input type="checkbox"/> TEMPERATURE PROBE | | 5004916 |
| <input type="checkbox"/> THERMOSTAT GUARD COVER PLATE | | 5007660 |