

User manual

Inclinometer
with Analog-RS232-Interface

IK360, IK360L

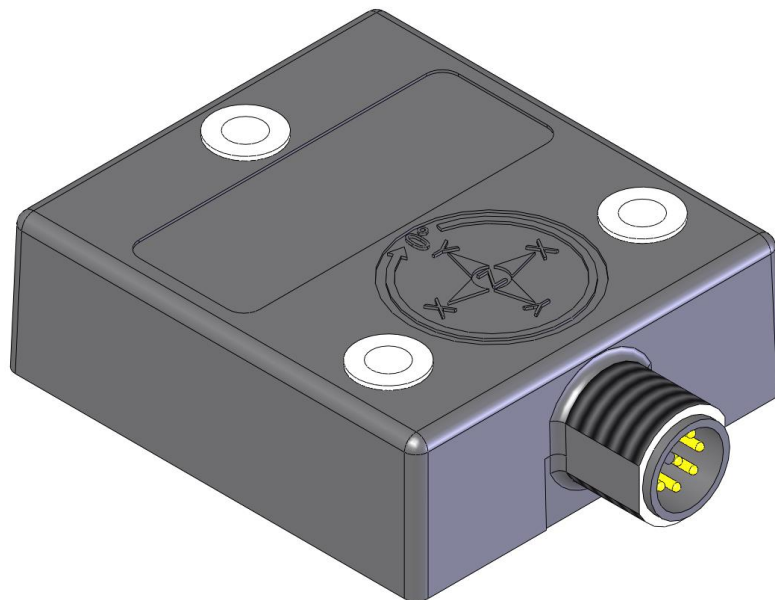


Table of content

1	GENERAL SAFETY ADVICE	3
2	INTRODUCTION	3
2.1	IK360, IK360L.....	3
2.2	ANALOG INTERFACE.....	4
2.3	IK360, IK360L ANALOG	4
3	INSTALLATION	5
3.1	PIN ASSIGNMENT	5
3.2	INSTALLATION PRECAUTIONS.....	5
3.3	MOUNTING INSTRUCTIONS	6
3.4	MEASUREMENT AXIS.....	6
4	IK360, IK360L SOFTWARE CONFIGURATION	7
4.1	IMPORTANT FACTORY SETTINGS	7
4.2	MODES OF OPERATION.....	7
4.3	PROGRAMMABLE PARAMETERS	8
5	RS232 DIGITAL INTERFACE – SETUP AND PROGRAMMING	8
5.1	HARDWARE SETUP.....	9
5.1.1	<i>Accessories Required</i>	9
5.1.2	<i>RS232 Communicarion – Pin Configuration</i>	9
5.1.3	<i>Wiring & Connection</i>	9
5.1.4	<i>Connection Setup</i>	10
5.2	SOFTWARE COMMUNICATION SETUP	10
5.3	BOOT-UP MESSAGE REPRESENTATION	12
5.4	IK360, IK360L OUTPUT – PROGRAMMING INDEX.....	12
5.4.1	<i>Table 1: Commands in Configuration Mode</i>	13
5.4.2	<i>Table 2: Code Transmission Rates</i>	14
5.4.3	<i>Table 3: Baud rates</i>	14
5.4.4	<i>Preset/Direction and Teach-in Mode</i>	14
5.4.5	<i>Teach-In mode (teach 1)</i>	15
5.4.6	<i>Analog Inputs (SET1 and SET2)</i>	15
5.4.7	<i>Preset</i>	17
5.4.8	<i>Invert Direction</i>	17
5.4.9	<i>Scaling of Output</i>	17
6	ANALOG INTERFACE	18
6.1	OUTPUT TYPES	18
6.1.1	<i>IK360, IK360L - Voltage</i>	18
6.1.2	<i>IK360, IK360L – Current</i>	19
7	IK360, IK360L - ANALOG OUTPUT GRAPHS	20
7.1	IK360, IK360L (1 AXIS) VOLTAGE	20
7.2	IK360, IK360L (1 AXIS) CURRENT.....	21
7.3	IK360, IK360L (2 AXIS) X-AXIS VOLTAGE OUTPUT.....	21
7.4	IK360, IK360L (2 AXIS) Y-AXIS VOLTAGE OUTPUT.....	22
7.5	IK360, IK360L (2 AXIS) X-AXIS CURRENT OUTPUT	22
7.6	IK360, IK360L (2 AXIS) Y-AXIS CURRENT OUTPUT	22

1 General Safety Advice

Read these instructions carefully and have a look at the equipment to become familiar with the device before trying to install, operate or maintain it.

The following special messages may appear throughout this documentation & on the equipment to warn of potential hazards or to call attention towards information that clarifies / simplifies a procedure.



The addition of this symbol to a Danger or Warning safety label indicates that an electrical hazard exists, which will result in personal injury, if the instructions are not followed.



This is the safety alert symbol. It is used for alerting, in case of potential personal injury or hazards. Obey all safety messages that follow this symbol to avoid possible injury or death.

Please Note

Electrical equipment should be serviced only by qualified personnel. No responsibility is assumed by SIKO for any consequences arising out of the use of this material. This document is not intended as an instruction manual for untrained persons.

About this manual

This user manual explains how to install and configure the IK360, IK360L inclinometer with a Analog (Voltage or Current) and RS232 interface by illustrations.

2 Introduction

2.1 IK360, IK360L

IK360, IK360L inclinometers sense and measure the angle of tilt (Inclination/Slope/Elevation) of an object with respect to the force of gravity. The angle is measured with the relative change in electrical capacitance.

The basic principle behind this IK360, IK360L inclinometer is a Micro-Electro-Mechanical Systems (MEMS) sensor cell, that is embedded to a fully molded ASIC. A simplified version of the sensor consists of two electrodes, one is fixed, and the other is flexible (connected with spring elements). When the inclinometer is parallel to the surface of measurement, a corresponding capacitance is measured. If the sensor is tilted, the flexible electrode will change its position relative to the fixed electrode. This results in a change of the capacitance between the two electrodes, which is measured by the sensor cell. The change of the capacitance is converted to a corresponding inclination value.

Absolute inclinometers identify all the points of a movement by means of an unambiguous signal. Due to their capacity to give clear and exact values to all inclinations positions, inclinometers have become one of the interesting alternatives to singleturn absolute (and incremental) encoders and a link between the mechanical and control systems.

2.2 Analog interface

The analog interface is one of the most common and simplest of the interfaces. It is compatible from simple multimeters to complex control systems and PLCs.

An analog signal is a *continuous* signal which is analogous i. e. comparable to another time varying signal. In our case the variation of current or voltage signal from IK360, IK360L is analogous to the variation of measured position.

In IK360, IK360L, the position related output from MEMS based capacitance transducer measurement is converted to its analogous current or voltage signals with suitable electronics.

An analog signal virtually has infinite resolution. In practice an analog signal is always subjected to noise and a finite *slew rate*. Therefore, analog systems are subject to limitations in resolution and bandwidth.

Noise and unwanted variation in signals can create losses upon transmission and retransmission over long distances and for long time. Electrically, these losses can be reduced by shielding, good connections and several cable types.

2.3 IK360, IK360L Analog

The IK360, IK360L Analog inclinometer is a simple, compact and a very low cost inclination measurement device capable of measuring precise absolute position in single axis.

It is compatible to almost all the analog measurement devices and includes a RS232 digital interface too. This RS232 interface can be used either to read the corresponding position output or for configuring the IK360, IK360L according to the need of the application.

Electrically, IK360, IK360L consists of a highly integrated circuit in SMD technology, temperature compensation, active linearization and the only variation is the analog interface. Customized scaling of analog output is also possible.

Electrically, like all other IK360, IK360L variants it consists of a highly integrated circuit in SMD technology, temperature compensation, active linearization and the only variation is the analog interface. Customized scaling of analog output is also possible.

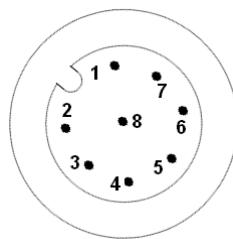
It is protected against polarity inversion and over voltage peak protection. In addition to that, the fully molded plastic housing provides an high resistance to shock/vibration and environmental protection of up to IP69K, when used with appropriate connectors.

3 Installation

3.1 Pin assignment

The inclinometer is connected via a 8 pin round M12 connector (Standard M12, male connector on IK360, IK360L, female connector at connection cable).

Pin	Description for IK360, IK360L (1 axis) with voltage analog output	Description for IK360, IK360L (1 axis) with current analog output	Description für IK360, IK360L (2 axis) with current analog output
1	10-30 V DC	12-30 V DC	12-30 V DC
2	RxD (RS232 Receive)		RxD (RS232 Receive)
3	TxD (RS232 Transmit)		TxD (RS232 Transmit)
4	Ground		Ground
5	Z-Axis Output U/I		X-Axis Output U/I
6	Analog input ¹ Preset or SET1 (Teach-in)		Analog input ¹ Preset or SET1 (Teach-in)
7	Pin do not connect		Y-Axis Output U/I
8	Analog input ¹ Inverse Direction or SET2 (Teach-in)		Analog input ¹ Inverse Direction or SET2 (Teach-in)



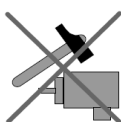
3.2 Installation precautions



ATTENTION!
Do not remove or mount while the inclinometer is under power!



Avert any modifications to the plastic molding!



Avoid mechanical load!

¹ The function of the analog inputs depends on the configuration.

3.3 Mounting instructions

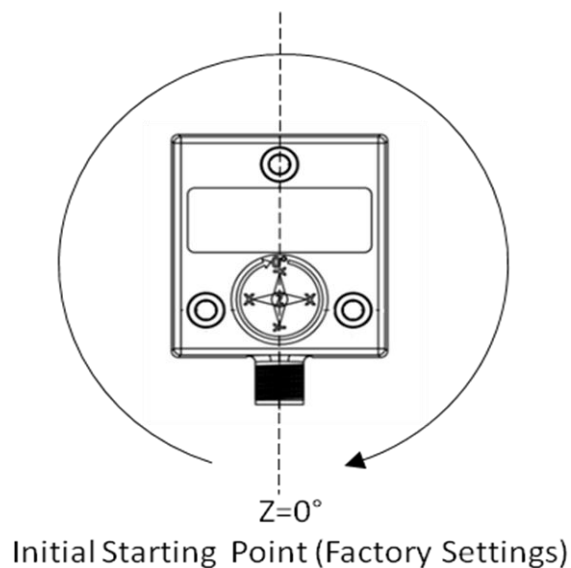
IK360, IK360L is a pre-calibrated device, which can be put into immediate operation, upon simple and easy installation with a three point mount and setting of preset. Its compact design and installation "anywhere" makes it versatile.

The IK360, IK360L inclinometer can be mounted in any number of fashions, depending on the situation. The mounting surface must be plane and free of dust and grease. It is absolutely necessary, that the IK360, IK360L inclinometer is connected to potential equalization in a workmanlike manner. For mounting we recommend cheese head screws with metrical thread M4 or UNC bolts #6 for the best possible and secure mounting. Use all the 3 screws for mounting, but restrict the tightening torque in the range of 1.5 – 2.5 Nm for the screws. The M12 connectors are to be perfectly aligned and screwed till the end with a tightening torque in the range of 0.4 – 0.6 Nm. Use all the three screws for mounting and also note to use the same tightening torque for all the screws. An appropriate and well secured counter connector is also an important constraint for attaining the stated IP69K protection.

Prior to installation, please check for all connection and mounting instructions to be complied with. Please also observe the general rules and regulations on low voltage technical devices, for safety and sustainability of IK360, IK360L Inclinometers over long period of time.

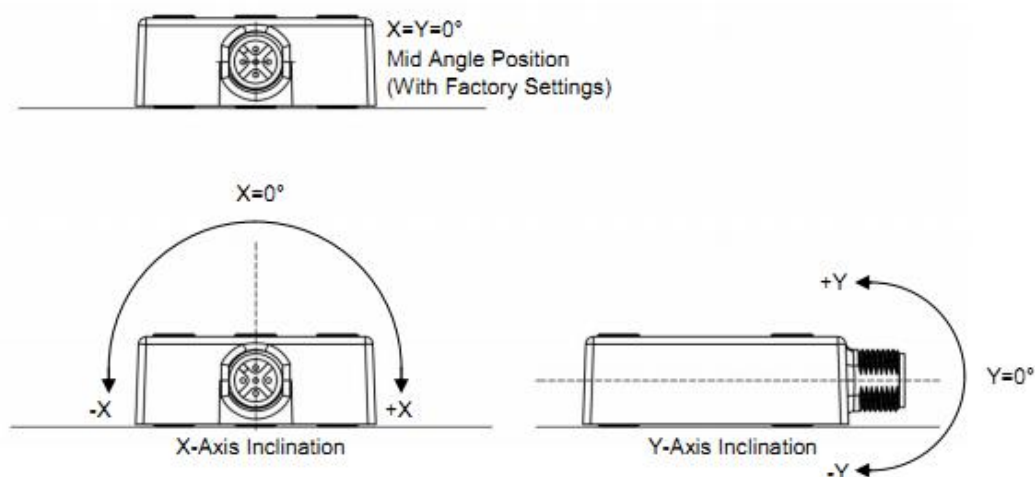
3.4 Measurement axis

IK360, IK360L (1 axis)



**Measurement axis and mid angle position
(factory setting ~ connector facing down)**

IK360, IK360L (2 axis)



4 IK360, IK360L Software Configuration

The IK360, IK360L - Analog Inclinometer is a very flexible device and can be easily configured using the RS232 interface.

4.1 Important factory settings

Description	Value
Operational Mode	Continuous Mode
Resolution	0.01° - IK360 0.05° - IK360L
Output Transmission Rate	100 ms
Baud Rate	9600 bd
Moving Average Filter	64
Angle Offset	0
Measurement Direction	Clockwise
Configuration Mode	Preset / Direction Mode

Note: The factory settings should be noted carefully upon installation. Few of the parameters have to be re-programmed in order to make the IK360, IK360L inclinometers compatible with the measurement device, or optimize the measurement.

4.2 Modes of Operation

Measurement Mode

Measurement mode of an IK360, IK360L is the free running operational output mode, in which the position value is sent cyclically (according to the output transmission rate) using the RS232 interface.

Configuration Mode

This mode is primarily used for modifying configurations and the settings of IK360, IK360L using RS232 Interface. In this mode, the position value is transmitted only upon request and is active until a power cycle, software reset or the IK360, IK360L is switched to measurement mode. All settings saved in this level are stored in the EEPROM and permanently available also after power cycle. There are two additional configurations for the teach-in functionalities which can be configured in this mode:

- Preset / Direction Mode

This is the default mode. In this mode, we can use an analog input for setting to zero position. The default direction setting is clockwise. Analog input for inverting direction is not available until setup to do so in RS232.

- Teach-In Mode (Scaling)

This is used for scaling of the analog output over a desired range, using RS232 or Analog inputs.

4.3 Programmable parameters

The parameters/ settings of the IK360, IK360L can be re-configured using RS232 interface. Additionally few of these functionalities are also available through Analog inputs SET1 and SET2.

		Adjustable via
Configuration Mode	IK360, IK360L can be switched between Preset/Direction Mode and Teach-In Mode	RS232
Baud rate	The Baud rate can be programmed to lie between ranges of 2400 bps and 115200 bps	RS232
Output Transmission Rate	The transmission rate of angular values can be adjusted to lie between 62.5 ms and 10 seconds per value	RS232
Moving Average Filter	Used to calculate the output position value as an average over last N values where N varies from 1 to 256 measurements (where $N = 2^n$, $n = 0, 1, 2, 3 \dots$)	RS232
Preset Value	The current position value is set to the mid angle and Zero position by the parameter preset.	RS232 and Analog input ² SET1
Measurement Direction	The direction of measurement can be inversed according to the measurement requirement	RS232 and Analog input ² SET2
Analog Output Scaling	The analog output (4-20 mA / 0 V-10 V) can be scaled to the required measurement range The default ranges are 0° to 359.99°	RS232 and Analog inputs ³ SET1 and SET2

5 RS232 Digital Interface – Setup and Programming

The RS232 interface of IK360, IK360L gives flexibility to the Inclinator by providing easily accessible direct positional values and a simple interface for setup and configuration.

² only in Preset/Direction mode

³ only in Teach-In mode

5.1 Hardware Setup

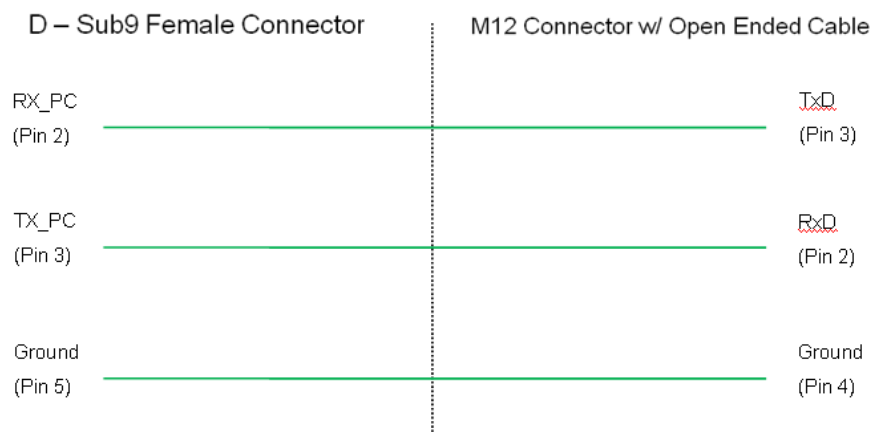
5.1.1 Accessories Required

- IK360 Inclinometer
 - 8- Wire open ended connection cable with M12 8-pin female connector
 - D-Sub9 Female Connector
- } Preparation of IK360, IK360L RS232 Communication Cable

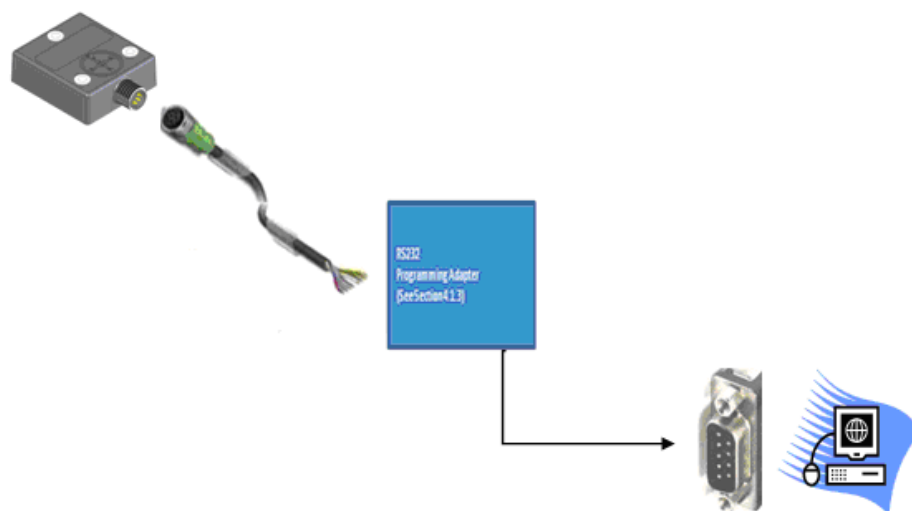
5.1.2 RS232 Communication – Pin Configuration

Pin	Description
2	Receive data
3	Transmit data
5	Common Ground

5.1.3 Wiring & Connection



5.1.4 Connection Setup



IK360, IK360L Analog -> M12 Connector -> RS232 Connector -> PC RS232 Port

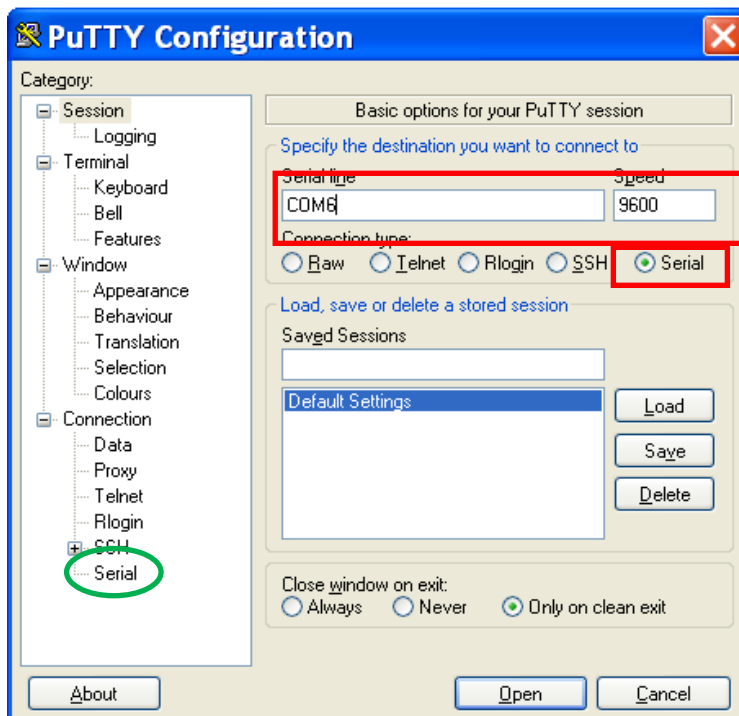
5.2 Software Communication Setup

Once the hardware is connected, the RS232 interface communication has to be setup using HyperTerminal or any other terminal programming client software. Communication with the sensor is done through a standardized RS232 interface. Data transmission is effected in duplex mode.

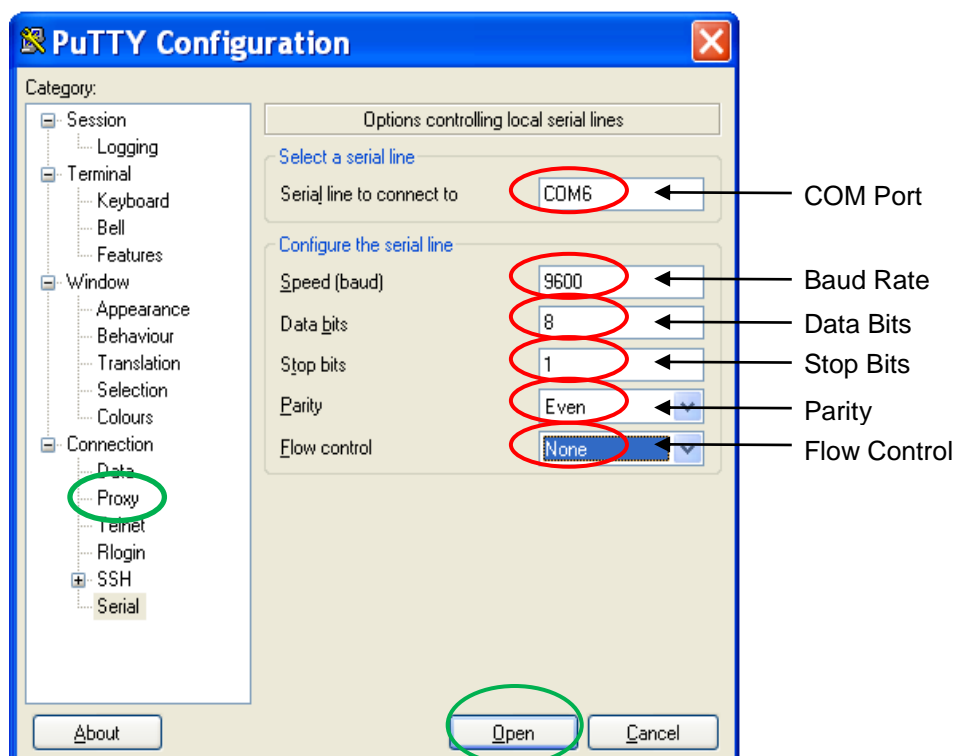
RS232 Interface Parameters are:

- Baud Rate: 9600 bd
- Data Bits: 8 Bits
- Parity: Even Parity
- Stop Bits: 1 Bit
- Flow Control: None

Step 1: Open the executable file of PuTTY - A Telnet/SSH client freeware. Please click on Serial in **Connection type** and then type in the appropriate COM port in the **Serial line** column and the current Baud rate in the **Speed** dialog box. Then select, **SSH -> Serial** to setup the parameters for interface communication.



Step 2: The appropriate parameters for the RS232 interface communication and please click on **Open** to create a new terminal program for IK360, IK360L RS232 interface communication.



Power Off – Power On for getting a boot-up message on startup.

5.3 Boot-Up Message Representation

In the bootup messages are most important features:

IK360, IK360L (1 axis)

SIKO GmbH
 IK360-1 RS232+U
 SW01.90 HW05 R01
 B2 O2 M64 Pt0
 S#0000202336

Company
 IK360 Typ
 SW and HW Versions
 Baud Rate, Output Rate, Filter Parameter, Preset Position
 Serial Number

IK360, IK360L (2 axis)

SIKO GmbH
 IK360-2 RS232+I
 SW01.90 HW05 R01
 B2 O2 M64 PtX0 PtY0
 S#0000202336

Company
 IK360 Typ
 SW and HW Versions
 Baud Rate, Output Rate, Filter Parameter, Preset Position
 Serial Number

5.4 IK360, IK360L Output – Programming Index

The following table is of the character and its corresponding decimal/ hexadecimal equivalents to assist a user in the output programming.

IK360, IK360L (1 axis)

CHAR	D0	D1	D2	D3	D4	D5	D6	D7
ASCII	X	X	X	.	X	X	CR	LF
DEC	Variable Numerical Values			46	Variable Numerical Values		13	10
HEX	Variable Numerical Values			0x2e	Variable Numerical Values		0x0d	0x0a

IK360, IK360L (1 axis) Output Display: <D0.....D5 D6 D7>

<CR> <LF> is a program analogy to indicate end of current line and start of a new line in a program.

IK360, IK360L (2 axis)

CHAR	D0	D1	D2	D3	D4	D5	D6	D7	D8
ASCII	X	=	+-	x	x	.	x	x	;
DEC	88	61	(+:43) (-:45)	Variable Numerical Value		46	Variable Numerical Value		59
HEX	0x58	0x3d	(+:0x2b) (-:0x2d)	Variable Numerical Value		0x2e	Variable Numerical Value		0x3b

CHAR	D9	D10	D11	D12	D13	D14	D15	D16	D17	D18
ASCII	Y	=	+-	x	x	.	x	x	CR	LF
DEC	89	61	(+:43) (-:45)	Variable Numerical Value		46	Variable Numerical Value		13	10
HEX	0x59	0x3d	(+:0x2b) (-:0x2d)	Variable Numerical Value		0x2e	Variable Numerical Value		0x0d	0x0a

IK360, IK360L (2 axis) Output Display: <D0.....D16 D17 D18>
 <CR> <LF> is a program analogy to indicate end of current line and start of a new line in a program.

5.4.1 Table 1: Commands in Configuration Mode

General Instructions	To the Sensor	Hex Value
Enter configuration mode	<CR>	0D _h
Leave configuration mode	exit<CR>	65 _h 78 _h 69 _h 74 _h 0D _h
List all commands and their descriptions	help<CR>	68 _h 65 _h 6C _h 70 _h 0D _h
Software Reset ⁴	*rst<CR>	2A _h 72 _h 73 _h 74 _h 0D _h
Report the identity and versions (Bootup Message)	*idn<CR>	2A _h 69 _h 64 _h 6E _h 0D _h
Parameter Info	info<CR>	69 _h 6E _h 66 _h 6F _h 0D _h
Set output rate ⁵	period<SP>parameter<CR>	70 _h 65 _h 72 _h 69 _h 6F _h 64 _h 0D _h
Read current position value	read<CR>	72 _h 65 _h 61 _h 64 _h 0D _h
Set new baud rate ⁶	baud<SP>parameter<CR>	62 _h 61 _h 75 _h 64 _h 20 _h .. _h 0D _h
Set new moving average filter value ⁷	filter<SP>parameter<CR>	66 _h 69 _h 6C _h 74 _h 65 _h 72 _h 20 _h .. _h 0D _h
Filter deactivate ⁸	filter<SP>parameter<CR>	66 _h 69 _h 6C _h 74 _h 65 _h 72 _h 20 _h .. _h 0D _h
Restore factory settings (requires save)	restore<CR>	72 _h 65 _h 73 _h 74 _h 6F _h 72 _h 65 _h 0D _h
Save settings to EEPROM ⁹	save<CR>	73 _h 61 _h 76 _h 65 _h 0D _h
Mode configuration ¹⁰	teach<SP>0<CR> → <i>Preset / Direction Mode</i> teach<SP>1<CR> → <i>Teach-in Mode</i>	74 _h 65 _h 61 _h 63 _h 68 _h 20 _h 00 _h 0D _h 74 _h 65 _h 61 _h 63 _h 68 _h 20 _h 01 _h 0D _h
Set origin at current position (Preset)	setorg ¹¹ <CR>	73 _h 65 _h 74 _h 6F _h 72 _h 67 _h 0D _h
Reset the origin to factory default position	clrorg<CR>	63 _h 6C _h 72 _h 6F _h 72 _h 67 _h 0D _h
Teach-in Mode Commands		
Set maximum V/I at current position	setmax<CR>	73 _h 65 _h 74 _h 6D _h 61 _h 78 _h 0D _h
Reset the maximum V/I to factory default position	clrmax<CR>	63 _h 6C _h 72 _h 6D _h 61 _h 78 _h 0D _h
Preset/Direction Mode Commands		
Invert the direction of measurement	compl<SP>parameter<CR>	63 _h 6F _h 6D _h 70 _h 6C _h 20 _h 0D _h

<CR> = carriage return

<SP> = Space

⁴ After reset, the IK360, IK360L reboots in the measurement mode giving a startup/ boot-up message.

⁵ See Table 2 for defined code transmission rates.

⁶ See Table 3 for defined baud rates. . A reset of the baud rate to the default value is not possible.

⁷ The Moving Average Filter length accepts only 2ⁿ values. E. g. 4, 8, 16, 32.. etc. and the max. length is 256. If the input number isn't a 2ⁿ number, the next lower 2ⁿ number will be taken. E. g. input = 14 will be rounded to 8, Input =18 will be rounded to 16, etc...

⁸ With 0 or 1 the filter is disabled.

⁹ In case of changing the baud rate, the new baud rate will be active direct after a <CR>, a "save" command is not required.

¹⁰ Only sensors with version 1.86 software will have teach-in functionality. Refer to bootup message for version.

¹¹ Setorg is used for both setting the preset and scaling in both teach-in and Preset/direction modes.

5.4.2 Table 2: Code Transmission Rates

Input Character to Sensor	Output Transmission Rate (in ms)
1	62.5
2	100 ¹²
3	200
4	500
5	1000
6	5000
7	10000

5.4.3 Table 3: Baud rates

Input Character to Sensor	Baud rate (in bd)
0	2400
1	4800
2	9600 ¹²
3	19200
4	38400
5	57600
6	115200

5.4.4 Preset/Direction and Teach-in Mode

- **Preset/ Direction Mode (teach 0)**

The Preset/Direction mode is the default mode in which the IK360, IK360L operates. In this mode the user can set the origin of measurement (0° Reference Angle) at the current point and can also change the direction of measurement. The changes done in the RS232 mode also gets reflected in the analog output.

- **Preset: Set Origin at current Position (setorg)**

The "setorg" command is used to set the origin (0° reference) to the current position. The analog output is also reset to read either 4 mA or 0 V according to the analog interface in use.

- **Reset the origin to factory default (clorg)**

The origin position can be reset to factory default position by using this command. The analog output is also reset to show the factory default output.

- **Invert the direction of measurement (compl)**

The "compl" function is used to specify the direction of measurement to either Standard or Inverted according to the user's requirement. The default setting is clockwise (IK360, IK360L). The analog input SET2 can be used for this function only if compl is set to "2".

¹² Default Factory settings

Compl Configuration – RS232	SET2 Analog Input*	Counting direction of IK360, IK360L
0 – Clockwise only	L	No Change with Analog Input
	H	
1 – Counter clockwise only	L	No Change with Analog Input
	H	
2 – SET 2 Activate	L	Clockwise / Standard
	H	Counter clockwise / Inverted

5.4.5 Teach-In mode (teach 1)

This is the mode used for scaling the IK360, IK360L output as per the users' requirement. The user can set the range of measurement and the IK360, IK360L analog output is scaled accordingly. The range of measurement is defined to lie within the origin and maximum angle positions, which then corresponds to the analog output scaling. The sequence SET1 and then SET2 must be observed!

Important: The maximum angle set in this mode will not affect the RS232 position output. This scaling only affects the analog output.

The execution of this "**setmax**" is immediately reflected in the analog output. The analog output at the setpoint is either 20 mA (IK360+I; IK360L+I) or 10 V (IK360+U; IK360L+U) once the execution is complete.

The execution of "**clrmax**" function clears the previous scaling done by the user and resets the analog output to the factory default values.

Important Points for programming:

- The use of preset in the digital interface will affect the analog output too. When using both the interfaces simultaneously take appropriate pre-cautions.
- Be careful not to mix up the commands für the RS232 teach-in modes. If in doubt, use the restore command and reconfigure sensor.
- The configurations/ scaling set in teach 1 mode is not reflected in teach 0 mode.
- Errors

When parameters are defined beyond the programmable limits then the IK360, IK360L gives an error "E" output.

5.4.6 Analog Inputs (SET1 and SET2)

The inclination sensors are designed to include 3 features through analog inputs SET1 and SET2.

- Preset of origin – 0° Reference for measurement
- Inversion of measurement direction
- Output scaling according to the set measurement range

The IK360, IK360L has two configuration modes for the above functionalities:

- **Preset/Direction mode:** Configuration for setting the new origin and direction of measurement
- **Teach-In Mode:** Scaling of output according to user's measurement range.

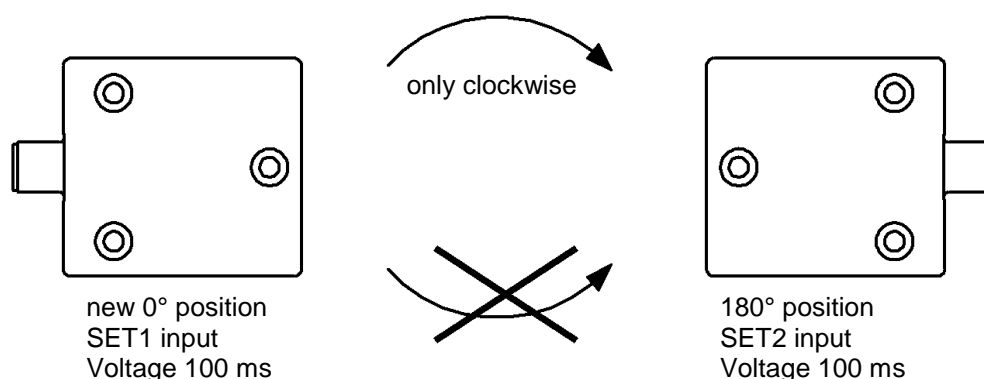
The modes can be changed using the RS232 interface. By default, the IK360, IK360L sensor is in the Preset/Direction Mode, with the option of inverting direction with an analog input only if configured to do so in RS232.

The IK360, IK360L has two analog inputs, SET1 and SET2 which can be used to configure in the IK360, IK360L. To trigger/activate these functionalities (e. g. a Preset):

- The user must apply a positive voltage (5 V – 30 V, $R_{in} > 110\text{ K}\Omega$) on the SET1/SET2 input. When a high edge is recognized a timer starts.
- The voltage must be held at least 100 ms if the voltage has been held less than 100 ms, the timer will be reset. The voltage must be released for position to be locked.

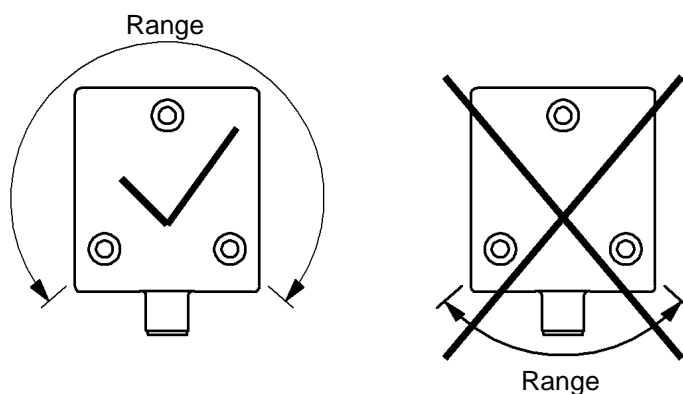
Set a new range: Example 0 ... 180°

1. Build up a RS232 communication between IK360, IK360L and PC. When you power-up the sensor IK360, IK360L it sends the boot-up message, then it sends the position values continuously.
2. Enter the Programming mode by sending <CR>.
3. Get into the Teach-In Mode with the command "teach <SP>1<CR>".
4. First define new 0° position and second define 180° position.



5. Leave the teach-in mode by using the command "exit <CR>" via RS232 communication.

Measurement range:



5.4.7 Preset

The IK360, IK360L has to be set to the Preset/Direction mode (teach 0) through the RS232 interface to implement his function. Preset/Direction mode is the default factory setting.

To set the preset, apply a high signal (5 V – 30 V) pulse to SET1 input and lock the position. Once the position is locked the IK360, IK360L resets the current position to the origin position and hence changes the analog output accordingly to either 4 mA or 0 V.

Important:

- The origin set by the analog input SET1 can be revoked to the factory default setting by using clrorg function in the RS232 interface.

5.4.8 Invert Direction

The IK360, IK360L has to first be set to the Preset/Direction mode (teach 0) ant the "compl" function has to be set to parameter 2 (compl 2) through the RS232 interface to implement this function.

SET2	Direction of Measurement
High (5 V – 30 V)	Counter-Clockwise / Inverted
Low (No Connection) or GND	Clockwise / Standard

To set the inversion of direction, apply a continuous high signal (5 V – 30 V) to SET2 input. As long as the applied signal on SET2 is greater than 5 V, the direction of measurement is always inverted.

5.4.9 Scaling of Output

The IK360, IK360L has to first be set to the Teach-In mode (teach 1) through the RS232 interface to implement this function.

Scaling of output is done based on a user defined angular measurement range. The range is defined by the two set points created by analog teach-in inputs SET1 and SET2. The analog output is scaled to give a full measurement output (4 – 20 mA / 0 – 10 V) over the defined range of measurement.

It is recommended to do scaling as a sequence of steps as detailed below:

- Set the IK360, IK360L to Teach-In Mode (teach1)
- Give a high signal pulse to SET1 at the measurement range to lock the position. Once position is locked (indicated by origin position output (4 mA or 0 V) output in the range of measurement set between the locked positions of SET1 and SET2.

If the scaling was done correctly the IK360, IK360L should giva a (4 mA – 20 mA) or (0 V – 10 V) output in the range of measurement set between the locked positions of SET1 and SET2.

- The scaling can be done also counter-clockwise. The output is scaled according to the direction of the sensor motion for the SET inputs. Upon scaling, the RS232 angular output sets preset automatically at SET1 position.

6 Analog Interface

The output signal from the IK360, IK360L analog interface can be directly connected to devices for immediate processing. The calibration of the signals can be easily done, since the signals are linear.

6.1 Output Types

6.1.1 IK360, IK360L - Voltage

Connect the corresponding (voltage analog output pin 5) open end of the connection cable to the measurement system.



IK360, IK360L with voltage output

Calculation of angle from IK360, IK360L voltage:

Position angle (in °) = (10 V) / (0.02777 Volts per °)

For example:

1. $U_{out} = 1.6662 \text{ V}$

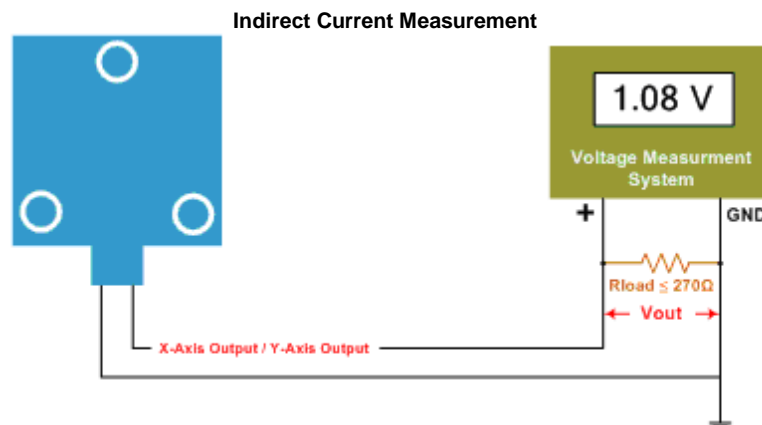
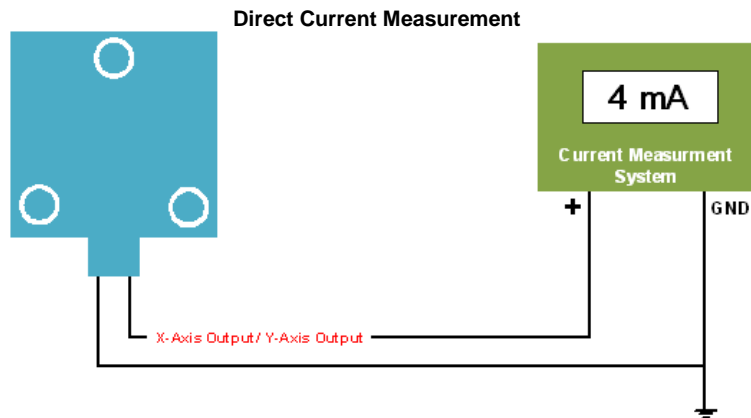
Position Angle = $(1.6662 \text{ V}) / (0.02777 \text{ V per } ^\circ) = 60^\circ$

2. $U_{out} = 5.554 \text{ V}$

Position Angle = $(5.554 \text{ V}) / (0.02777 \text{ V per } ^\circ) = 200^\circ$

6.1.2 IK360, IK360L – Current

Connect the corresponding (current analog output Pin 5) open end of the connection cable to the measurement system. IK360, IK360L output current, I_{out} can be directly measured or indirectly measured as voltage, using a shunt resistor (Note: $R_{Load} \leq 270 \Omega$).



Calculation of angle from IK360, IK360L (1 axis) current:

$$\text{Position angle (in } ^\circ) = (I_{out} - 4 \text{ mA}) / (0.0444 \text{ mA per } ^\circ)$$

For example:

$$1. I_{out} = 8.31 \text{ mA}$$

$$\text{Position Angle} = (8.31 \text{ mA} - 4 \text{ mA}) / (0.0444 \text{ mA per } ^\circ) = 97.07^\circ$$

$$2. I_{out} = 11.6 \text{ mA}$$

$$\text{Position Angle} = (11.6 \text{ mA} - 4 \text{ mA}) / (0.0444 \text{ mA per } ^\circ) = 171.17^\circ$$

Calculation of angle from IK360, IK360L (2 axis) current:

Position angle (in °) = $(I_{out} - 12 \text{ mA}) / (0.1 \text{ mA per } ^\circ)$

1. $I_{out} = 8.31 \text{ mA}$

Position Angle = $(8.31 \text{ mA} - 12 \text{ mA}) / (0.1 \text{ mA per } ^\circ) = -36.9^\circ$

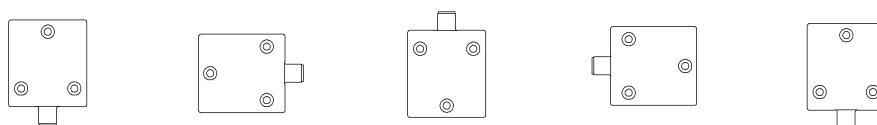
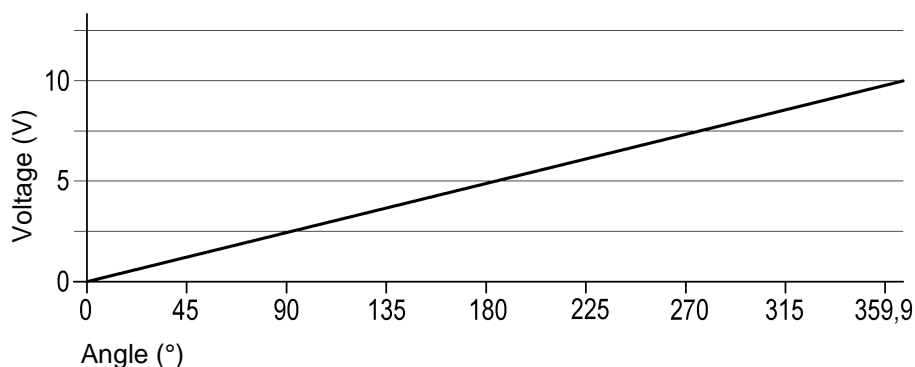
2. $I_{out} = 11.6 \text{ mA}$

Position Angle = $(11.6 \text{ mA} - 12 \text{ mA}) / (0.1 \text{ mA per } ^\circ) = -4^\circ$

7 IK360, IK360L - Analog Output Graphs

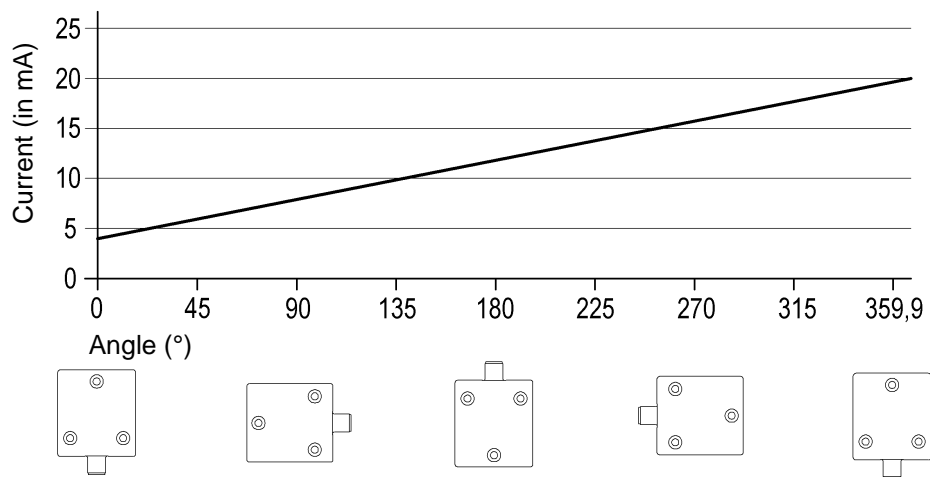
7.1 IK360, IK360L (1 axis) Voltage

Output circuit IK360 sensor

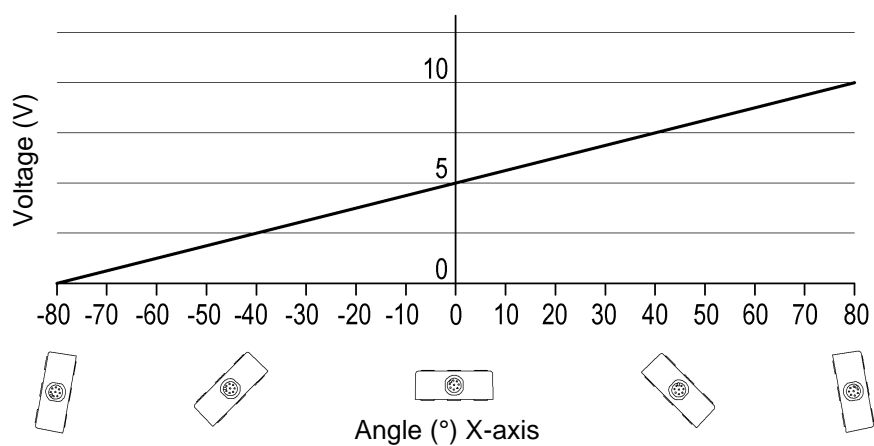


7.2 IK360, IK360L (1 axis) Current

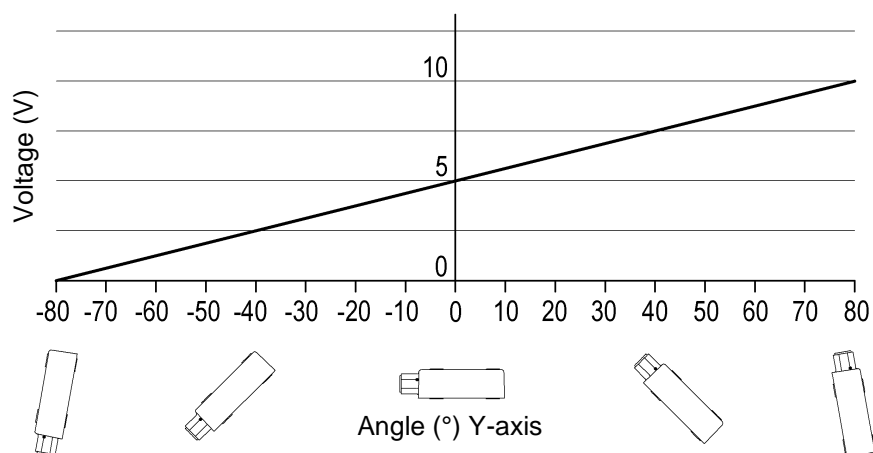
Output circuit IK360 sensor



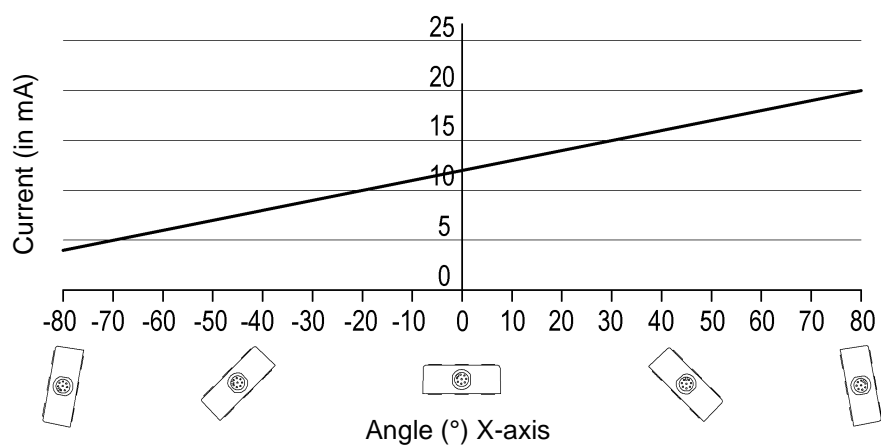
7.3 IK360, IK360L (2 axis) X-Axis Voltage Output



7.4 IK360, IK360L (2 axis) Y-Axis Voltage Output



7.5 IK360, IK360L (2 axis) X-Axis Current Output



7.6 IK360, IK360L (2 axis) Y-Axis Current Output

