

Sign	Button	Description
	ON/OFF	ON/OFF: Turn on/off the controller Any button can start the controller at off status
	PAUSE	PAUSE: Press this button will rest at current color, press it again, will continue to change.
	MODE+	Mode+: Press this button to select next mode
	MODE-	Mode-: Press this button & back to previous mode
	SPEED +	Speed+: speed up. Press this button to select 1-8 speed changing levels.
	SPEED -	Speed-: speed down. Press this button to select 1-8 speed changing levels.
	BRT+	BRT+: Press this button to select 1-8 brightness adjustment levels. Brightness up.
	BRT-	BRT-: Press this button to select 1-8 brightness adjustment levels. Brightness down.

Note: press MODE+, MODE-SPEED+SPEED-, BRT+, BRT- button over 3 seconds, if LED flickers twice, it means it has restored to Default status.

2. Tables of changing modes

Sequence	Modes	Description
1	Static red	Static red, brightness adjustable
2	Static green	Static green, brightness adjustable
3	Static blue	Static blue, brightness adjustable
4	Static yellow	Static yellow, brightness adjustable
5	Static purple	Static purple, brightness adjustable
6	Static cyan	Static cyan, brightness adjustable
7	Static white	Static white, brightness adjustable
8	3 color skipping	Red, green and blue 3-color skipping
9	7 color skipping	Red, green, blue, yellow, purple, cyan, white 7-color skipping
10	White color strobe	White (with all red, green and blue on) strobe
11	3 color smooth	Red, green and blue 3-color gradual changes
12	Full color smooth	All 7-color gradual changes
13	RG color smooth	Red, green 2-color gradual changes
14	R B color smooth	Red, blue 2-color gradual changes
15	GB color smooth	Green, blue 2-color gradual changes
16	White color fade & change	white (with red, green & blue on) gradual bright & fade
17	Great cycle	All changing modes overlap cycle

Constant Voltage LED RGB Controller User Manual



(Please read through this manual carefully before use)

1、Brief Introduction

This Constant Voltage Multi-function RGB Controller is a universal RGB controller for entire color changing, which adopted high-performance microchip and the most advanced PWM (Pulse-Width Modulation) controlling technology at present. It can control all 4-pin 3-loop LED RGB full color lights. This series with RF remote controller and it is available only within the valid range.

2、Specifications

Model	Constant Voltage 4A
Input voltage	DC12V-DC24V
Max current load	4A/CH×3
Max Output Power	144W (12V)/288W (24V)
Scale levels	4096 scale/CH×3
Product Dimension	L125xW45xH36(mm)
Weight (G.W)	100g
Remote control distance	30m with obstacles; 60m without obstacles
Control type	Common anode

3、Basic Features

1. Automatically adapt to LED light which works from DC12V-24V.
2. on-off controller function
3. 3 channels RGB full color control, 4A per channel, totally 12A.

4. 17 fantastic modes such as color smooth , color skipping, horserace, strobe, etc.
5. Can choose a changing speed and brightness in a certain mode independently.
6. Can stop at static single color, speed & brightness adjustable at pause status.
7. Factory default is available.
8. Working with power repeater to expand power output unlimitedly.
9. Power loss memory function.

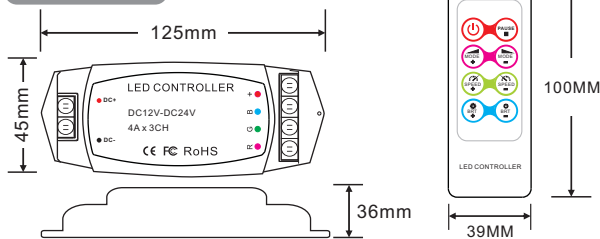
4、Safety warnings

Please don't install this controller in lightning, intense magnetic and high-voltage fields.

- 1.reduce the risk of component damage and fire caused by short circuit, make sure correct connection.
- 2.Always be sure to mount this unit in an area that will allow proper ventilation to ensure a fitting temperature.
- 3.Check if the voltage and power adapter suit the controller. (please select DC12-24V power supply with constant voltage)
- 4.Don't connect cables with power on; make sure a correct connection and no short circuit checked with instrument before power on.
- 5.Please don't open controller cover and operate if problems occur.

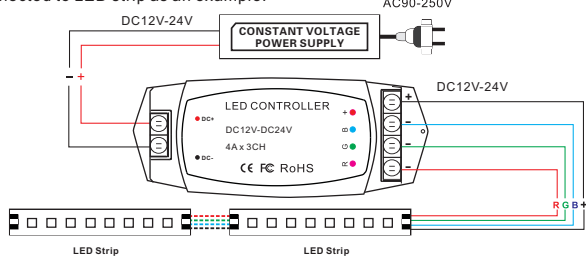
The manual is only suitable for this model; any update is subject to change without prior notice.

5. Dimensions

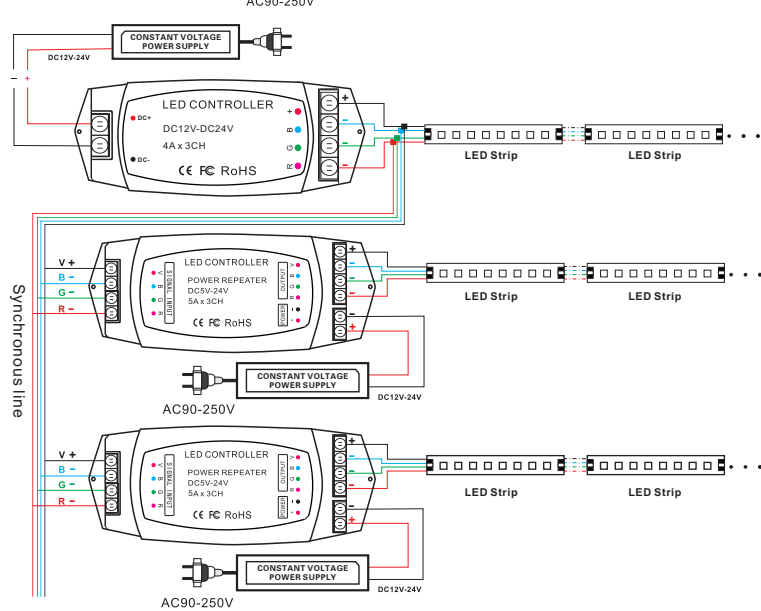


6. Conjunction Diagram

1) Connected to LED strip as an example:

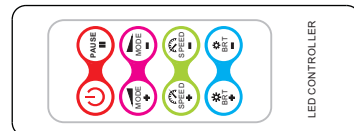


2) Conjunction diagram, working with our power repeater, the controller and the amplifier can share the same power supply



7、Operating instructions

1. On the controller, there are 6 function keys:
ON/OFF, PAUSE, MODE+, MODE-, SPEED+, SPEED-, BRT+, BRT-



The remote control ID learning guide: Press ON/OFF button till the light flashes, then press PAUSE button, the light flashes again, the ID is set.

8、After-Sales

From the day you purchase our products within 3 years, if being used properly in accordance with the instruction, and quality problems occur, we provide free repair or replacement services except the following cases:

- 1.Any defects caused by wrong operations.
- 2.Any damages caused by inappropriate power supply or abnormal voltage.
- 3.Any damages caused by unauthorized removal, maintenance, modifying circuit, incorrect connections and replacing chips.
- 4.Any damages due to transportation, breaking, flooded water after the purchase.
- 5.Any damages caused by earthquake, fire, flood, lightning strike etc force majeure of natural disasters.
- 6.Any damages caused by negligence, inappropriate storing at high temperature and humidity environment or near harmful chemicals.
- 7.Product has been updated.

9、Kindly Reminder

1.Power Source Selection
Power source must be DC constant voltage type of power supply. Due to the efficient output in some power supplies are only 80% of total, so please select at least 20% higher output power supply than the consumption of LED lights.