

Electrolux benefit counters

560 liter

The Electrolux range of benefit counters combines the convenience of worktop space with cold storage. The models detailed on this sheet are 560 liter counters with built-in refrigerating unit and available with various combinations of doors and drawers.



Model 726147

CONSTRUCTION

- Models RCSN4M4, RCSN4M4T, RCSN4M32 and RCSN4M4U have internal and external doors, front and side panels and 50 mm thick removable worktop (except models without top) in 304 AISI stainless steel.
- Only on model RCSN4M44, internal and external structure, bottom, doors, front and side panels, base and 50 mm thick removable worktop in stainless steel.
- Back in galvanized steel.
- Insulation guaranteed by high density expanded cyclopentane 50 mm in thickness.
- Legs (150 mm high) in 304 AISI stainless steel with plastic interior and adjustable in height.
- CFC and HCFC free.

- All models comply with the standards required by the main international approval bodies and are H marked.

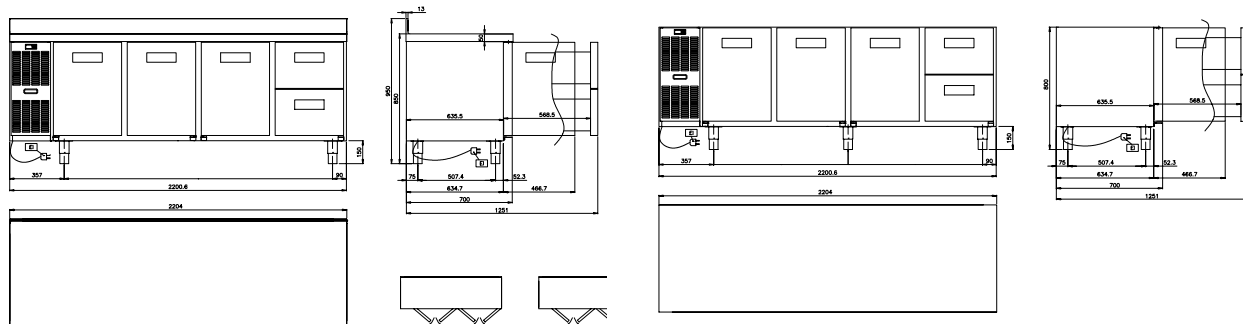
PERFORMANCES

- Digital control panel allowing the easy and precise setting and control of the internal temperature.
- Completely automatic defrosting and automatic evaporation of defrost water by hot gas.
- Forced air cooling system guaranteeing great uniformity of the temperature in the counter and excellent conservation of the food quality.
- Operating temperature: -2/+10°C.
- Refrigerant gas R404a.
- Possibility to install on socket.

- Kit with 1/2 sized drawers available as accessory.
- The refrigeration unit can operate in tropical climates (+43°C ambient temperature).
- High standards of hygiene and ease of cleaning are guaranteed by the rounded internal corners of the cabinet and easily removable runners and grids (without the use of tools).
- The door self-closes when opened less than at a 90° angle and is equipped with a door seal to guarantee perfect closure.



Electrolux



Electrolux benefit counters

	RCSN4M4 726147	RCSN4M4T 726670	RCSN4M32 726148	RCSN4M24 726170	RCSN4M4U 726197	RCSN4M44 727008
LEGEND						
EI - Electrical connection	230 V, 1N, 50	230 V, 1N, 50	230 V, 1N, 50	230 V, 1N, 50	230 V, 1N, 50	230 V, 1N, 50
TECHNICAL DATA						
Operating temperature - min/max °C	-2/10	-2/10	-2/10	-2/10	-2/10	-2/10
Operating mode	Ventilated	Ventilated	Ventilated	Ventilated	Ventilated	Ventilated
Gross capacity (D.I.N. 8952) - l.	560	560	560	560	560	560
Cooling unit	Built-In	Built-In	Built-In	Built-In	Built-In	Built-In
Control type	Digital	Digital	Digital	Digital	Digital	Digital
External dimensions - mm						
width	2201	2201	2201	2201	2201	2201
depth/with open doors	700, 1102	700, 1102	700, 1102	700, 1102	700, 1102	700, 1102
height	850	800	850	850	950	850
Worktop type	Stainless Steel	none	Stainless Steel	Stainless Steel	Stainless Steel with Splashback	Stainless Steel
Top material	304 AISI	Galvanized Steel	304 AISI	304 AISI	304 AISI	Stainless Steel
Min/Max internal humidity - %	57	57	57	57	57	57
N° of drawers			2	4		
Door hinges	2 Left+2 Right	2 Left+2 Right	2 Left+1 Right	1 Left+1 Right	2 Left+2 Right	2 Left+2 Right
N° and type of grids (included)	4, GN 1/1	4, GN 1/1	3, GN 1/1	2, GN 1/1	4, GN 1/1	4, GN 1/1
Compressor power - HP	1/4	1/4	1/4	1/4	1/4	1/4
N° defrost in 24 hrs.	every 6 hours	every 6 hours	every 6 hours	every 6 hours	every 6 hours	every 6 hours
Refrigerant type	R404a	R404a	R404a	R404a	R404a	R404a
Refrigerant quantity - g.	210	210	210	210	210	210
Refrigeration power - W	343	343	343	343	343	343
Refrigerant power at evaporation temperature - °C	-20	-20	-20	-20	-20	-20
Power - kW						
installed-electric	0.34	0.34	0.34	0.34	0.34	0.34
Noise level - dBA	58.5	58.5	58.5	58.5	58.5	58.5
Net weight - kg.	186	178	194	198	187	186
Power supply - V, phases, Hz	230 V, 1N, 50	230 V, 1N, 50	230 V, 1N, 50	230 V, 1N, 50	230 V, 1N, 50	230 V, 1N, 50
No top		●				
INCLUDED ACCESSORIES						
1/1 GN GREY "RILSAN" GRID	4	4	3	2	4	4
ACCESSORIES						
KIT 2 S/S GRIDS GN1/1 FOR REFRIG.TABLES	880139		880139	880139	880139	880139
KIT 4 WHEELS (2 W/BRAKE)+4 (40MM)SPACERS	880025	880025	880025	880025	880025	880025
KIT DOOR REVERSIBILITY FOR REF.TABLES	880046	880046	880046	880046	880046	880046
KIT HACCP EKIS	922166	922166	922166	922166	922166	922166
KIT INTEGRATED HACCP-DIG. REFR. (IR33)	880205	880205	880205	880205	880205	880205
LOCK KIT	880024	880024	880024	880024	880024	880024
PLASTIC CONTAINER GN 1/1 H=150 MM	881040	881040	881040	881040	881040	881040
PLASTIC CONTAINER GN 1/1 H=65 MM	881038	881038	881038	881038	881038	881038
PRINTER FOR HACCP BASIC VERSION REFRIG.	881457	881457	881457	881457	881457	881457
S/S STRUCTURE TO SUPPORT 6 GRIDS (R+L)	880140		880140	880140	880140	880140
STRUCTURE TO SUPPORT 3 GRIDS(RIGHT+LEFT)	880047	880047	880047	880047	880047	880047
TWO ½ DRAWER KIT	880023	880023	880023	880023	880023	880023

560 liter

HBAD050

2009-10-06

Subject to change without notice