



1. Opening the cover

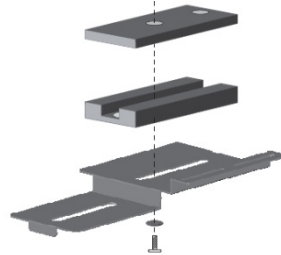
Open the cover by unlatching the three latches on the side of the housing.

If the optional tamper-resistant screws have been installed, use the supplied wrench to remove the screws before opening the latches.



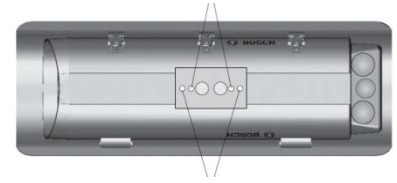
2. Camera/Lens installation

Remove the two screws holding the camera tray to the housing. Remove tray from the housing. Attach the lens to the camera. Use the various 1/4-20 screws and spacers provided to mount the camera and the lens to the camera tray.



3. Feed-through Wiring

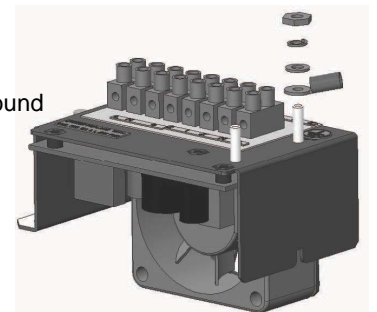
Remove the two dome plugs located inside the housing. Screw the two 3/8-inch NPT fittings into the foot. Pull the cabling through the fittings into the housing. Tighten the fitting and attach the foot to the top bracket of the mount. Ensure that the holes in the rear cap are covered with the rubber plugs provided.



4. Power Connections

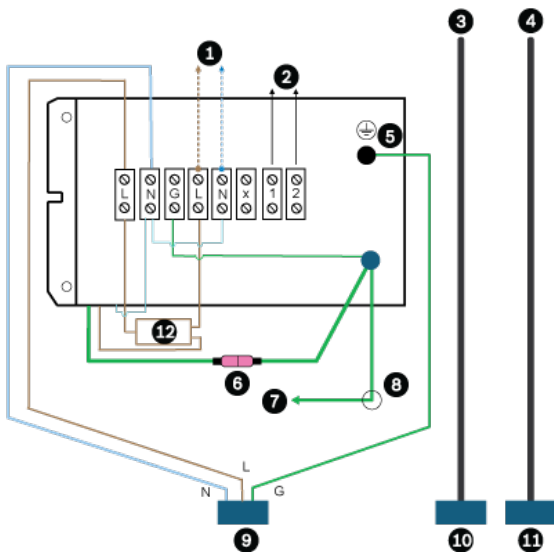
The terminal block accepts wire ranging from 0.5 mm² to 2.5 mm² (20 AWG to 14 AWG).

- To attach the external safety ground wire, remove the nut, the washers, and the external ground wire lug from the ground post.
- Strip and crimp the external ground wire into the lug.
- Reattach the ground connections in the order shown in the side figure.
- Tighten the fitting to 8.5 N m to 9.0 N m (75 in. lb to 80 in. lb).



5. Wiring (All Models except UHO-HBPS-10, UHO-HBPS-50, and UHO-HPS-50)

Connect the supply power wires to the terminal block. Strip no less than 6 mm (0.25 in.) and no more than 8 mm (0.31 in.) of insulation away from the wire. Ensure not to nick the wires. Cut the power cord on 120 VAC and 230 VAC camera models; leave enough cable to allow connection to the terminal block. Strip no less than 6 mm (0.25 in.) and no more than 8 mm (0.31 in.) of insulation away from the wire. Connect these wires to the connectors provided on the terminal block.



1	To camera	7	Ground cable to housing top
2	To accessories	8	Ground stud housing bottom
3	BNC cable to camera	9	Power input connector
4	Lens wiring	10	Video input connector
5	Power input grounding post	11	Lens
6	Ground test connector Do NOT disconnect!	12	Fuse

Pin	Color	Connection
N	Blue	Power connection
L	Brown	Power connection
G	Green	G (safety ground)

UHI/UHO Series Camera Housing Quick Installation Guide



6. Video coax connection

Install a 1/2-in. NPT fitting into the available hole in the rear cap.

Route the video coax cable through one of the fittings installed, or one of the feed-through fittings in the base. Attach the BNC connector to the coax and connect it to the camera.

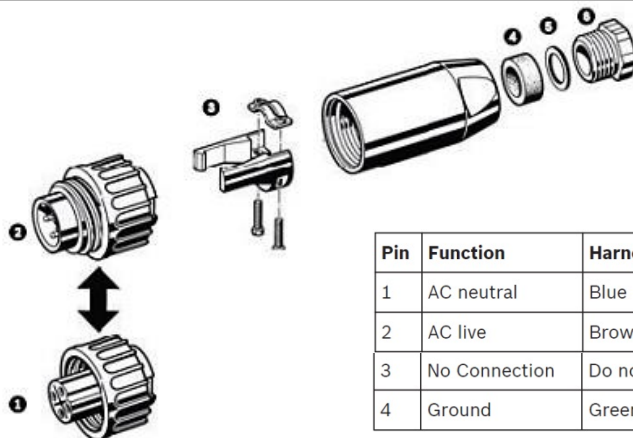
Tighten the fitting to 8.5 N m to 9.0 N m (75 in. lb to 80 in. lb).

7. Lens wiring

Install the 3/8-in. NPT fitting into the middle hole in the rear cap. If installing a zoom lens, insert the lens control cable through the last fitting at the rear of the housing. Attach the lens wiring to the lens mating connector and connect it to the lens. If a mating connector is not available, connect directly to the lens cable. Tighten the fitting. (See step 6.)

8. Wiring (UHO-HBPS-10,-50, UHO-HPS-50)

Cut the power cord on 230 VAC camera models, leaving enough cable for connection to the terminal block. Strip no less than 6 mm (0.25 in.) and no more than 8 mm (0.31 in.) of insulation away from the wire. Be sure not to nick the wires. Insert the power cord through the back shell assembly and strain relief. Connect the power cable to the screw terminals on the provided mating connector.



9. Final assembly

1. Use the hole plugs provided to plug any unused holes in the rear cap.
2. Replace the camera and bracket back into the housing.
3. Slide the camera/lens tray into the slot near the clasp side of the housing.
4. Install screws.
5. Close the cover and secure the latches.
6. Optional tamper-resistant screws are provided with the housing. Secure the latch using these three screws and the provided tamper-resistant wrench.

10. Sunshield installation

1. Loosen the two screws (M4 x 10) on the top of the housing.
2. Slide the sunshield to the desired position. It has a range of 50 mm (2 in.).
3. Tighten the screws to lock the sunshield into position.
4. If the sunshield is removed or not installed, plug the two screw holes with the hole plugs supplied with the housing hardware kit.

11. Fuse replacement

1. To replace a fuse, pull the top of the fuse holder.
 2. Replace the fuse with a fuse that has the same current rating.
- The fuse is a 5.2 mm x 20 mm slow blow breaking capacity cartridge-type fuse.

Camera voltage	Fuse rating
24 VAC	4 A, 250 VAC
120 VAC	2 A, 250 VAC
230 VAC	2 A, 250 VAC

There is a spare fuse inside the housing.

Download the English version of the User Manual here:

http://us.boschsecurity.com/us_product/02_products_3/st_bu_f_277305_tams_catalog_prod_us/st_section_f_277848_tams_catalog_prod_us/st_profam_p_277848_tams_catalog_prod_us_278254

OR from the page of UHO Series Outdoor Camera Housing on your country's site linked from boschsecurity.com.

Bosch Security Systems B.V.

Torenallee 49 5617 BA Eindhoven
The Netherlands

www.boschsecurity.com

© Bosch Security Systems B.V., 2014