

# IVATION™

## DEHUMIDIFIER WITH AUTO HUMIDISTAT User Manual



### Introduction

Thank you for purchasing our IVADM20 Dehumidifier, and welcome to the Ivation™ family. This user manual is meant to offer you a brief walkthrough of the device's features and usage protocols. We hope you find this manual helpful. For additional information and technical support, please feel encouraged to contact our help team at [info@myivation.com](mailto:info@myivation.com).

### Important Instructions

#### Intended Use

This device is intended for use in the removal of excess moisture from small rooms such as studies, walk-in closets and bathrooms. Other than the removable water tank, this device is not user serviceable and should not be disassembled. Any use other than that described above will lead to damage to the product and may present additional risks.

#### How Does it Work?

The IVADM20 Dehumidifier works by way of thermoelectric cooling, which uses what's known as the Peltier effect to create a heat flux between the junction of two different types of materials. Using no compressors or moving parts, the device quietly pulls moisture from the air around it, removing muskiness and dampness from the room.

#### Safety Instructions

If damage is incurred as a result of non-compliance with these operating instructions, manufacture's guarantee will be voided. Ivation™ assumes no liability for personal injury or damage to property caused by incorrect handling or non-observance of the safety instructions.

1. Keep unit in upright position whenever in use.
2. To avoid electric shock, avoid opening unit.
3. Always turn device off when not in use.
4. Avoid using power adapter in excessively wet area.
5. Ensure that inlet and outlet grilles are unobstructed.
6. Use both hands when handling unit to avoid tilting.
7. Keep device away from reach of children.

#### Box Contents

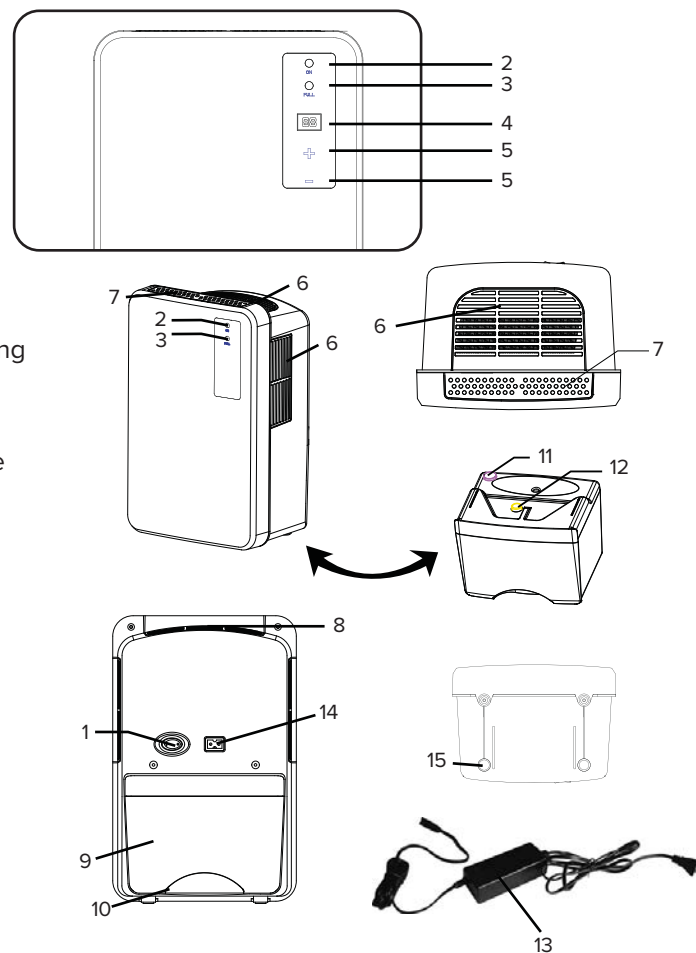
- 1 x IVADM20 Dehumidifier
- 1 x Water Tank
- 1 x Power Cord
- 1 x User Manual



IVATION HOME

### Parts & Controls

- 1 On/Off Switch
- 2 Green "On" LED
- 3 Yellow "Full" LED
- 4 RH Level Display
- 5 RH Up/Down Buttons
- 6 Air Inlet Grill
- 7 Dry Air Outlet Grill
- 8 Carrying "Handle" Opening
- 9 Removable Water Tank
- 10 Tank Pull-Out "Handle"
- 11 Water Displacement Hole w/Plug
- 12 Hydraulic Cut-Off
- 13 AC/DC Power Adapter
- 14 DC Power Socket
- 15 Rubberized Stability Feet



### Operation

#### Basics:

- To remove excess moisture from small rooms, place IVADM20 Dehumidifier in preferred area.
- Insert smaller end of AC/DC Power Adapter (#13) into DC Power Socket (#14).
- Connect other end to wall socket.
- Toggle On/Off Switch (#1) to On position.
- To turn unit off at any time, toggle On/Off Switch (#1) to Off position first, then unplug AC/DC Power Adapter (#13).

#### Setting Relative Humidity Levels:

The IVADM20 Dehumidifier features an advanced humidistat function. Dehumidifiers without a humidistat stay on and work hard non-stop even if RH levels drop as low as 20%. This wastes energy and wears out the power adapters. With the IVADM20 Dehumidifier's humidistat function, you can set your desired relative humidity level in the range of 40%-80%. When RH levels increase beyond your set level by a value of 5%, the machine automatically turns on. When RH levels decrease below your set level by a value of 5%, the machine automatically turns off. By default, the unit is set to 50% RH.

To set your desired level:

- Toggle On/Off Switch (#1) to On position.
- Wait a few seconds until RH Level Display (#4) reads current RH level.
- Depress the RH Up/Down Buttons (#5) to select your desired RH level.
- Display will flash ten times, then revert to showing current environment RH.

#### Emptying Water Tank:

- The IVADM20 Dehumidifier will automatically turn off once tank is full.
- The Yellow "Full" LED (#3) will turn on.
- Before removing water tank, toggle On/Off Switch (#1) to Off position.
- Insert two fingers into Tank Pull-Out Handle (#10) and gently pull out.
- Pull out plug from Water Displacement Hole (#11).
- Pour collected water out from tank into sink or toilet.
- Reinsert plug and slide tank back into device until it clicks.
- Device is now ready for use again.

### Technical Specifications

Capacity:	Approximately 13.5 Ounces/Day at 86°F, 80% RH
Water Tank Capacity:	50 Ounces
Cooling Element:	Thermoelectric Peltier Module
Fan:	90mm x 90mm Brushless Motor
Power Adapter:	12v DC 5Amp
Power Consumption:	60w
Water Level Detector:	Auto-Off When Full w/Yellow "Full" LED
Dimensions:	7.08" x 11.25" x 5.27"

### Maintenance

Always turn IVADM20 Dehumidifier off and disconnect power cord before cleaning unit. Use a piece of soft cloth to clean product surface, or use soft-bristled brush to wipe dust off air inlet grills.

#### Distributed by C&A Marketing, Inc.

2 Bergen Turnpike  
Ridgefield Park, NJ 07660  
[info@myivation.com](mailto:info@myivation.com)

MADE IN CHINA

IVATION is a trademark of  
C&A IP Holdings, LLC  
©2014 All Rights Reserved