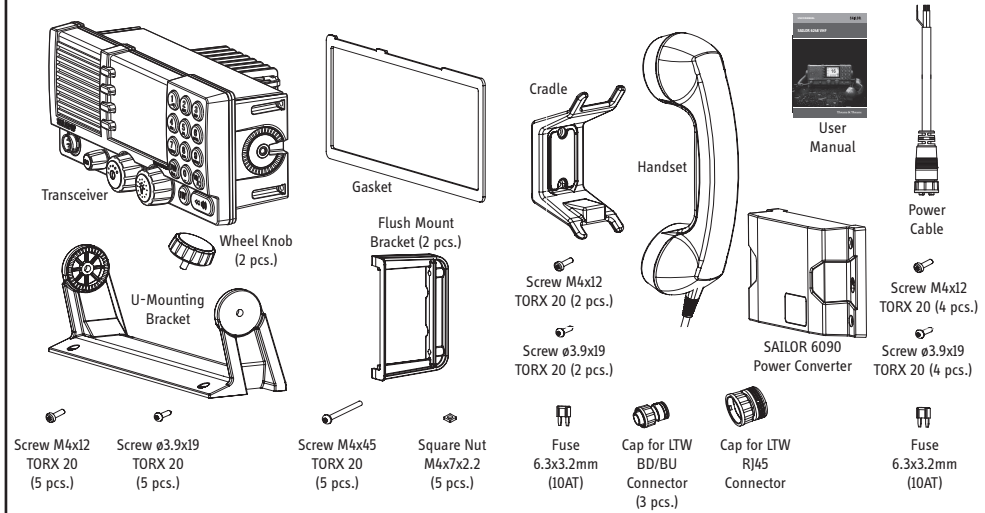
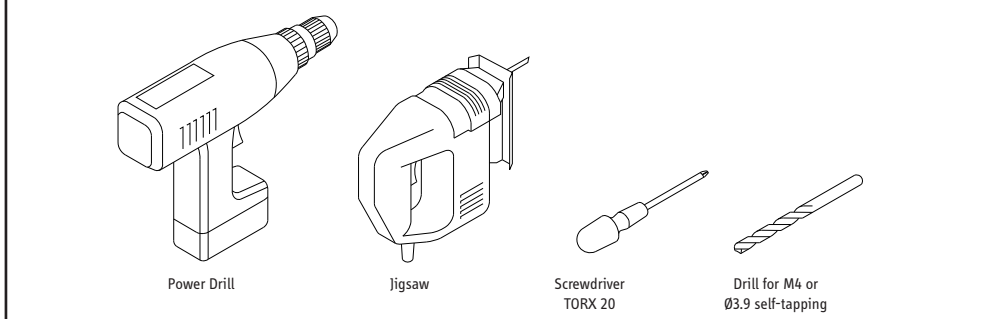


# SAILOR 6248 VHF

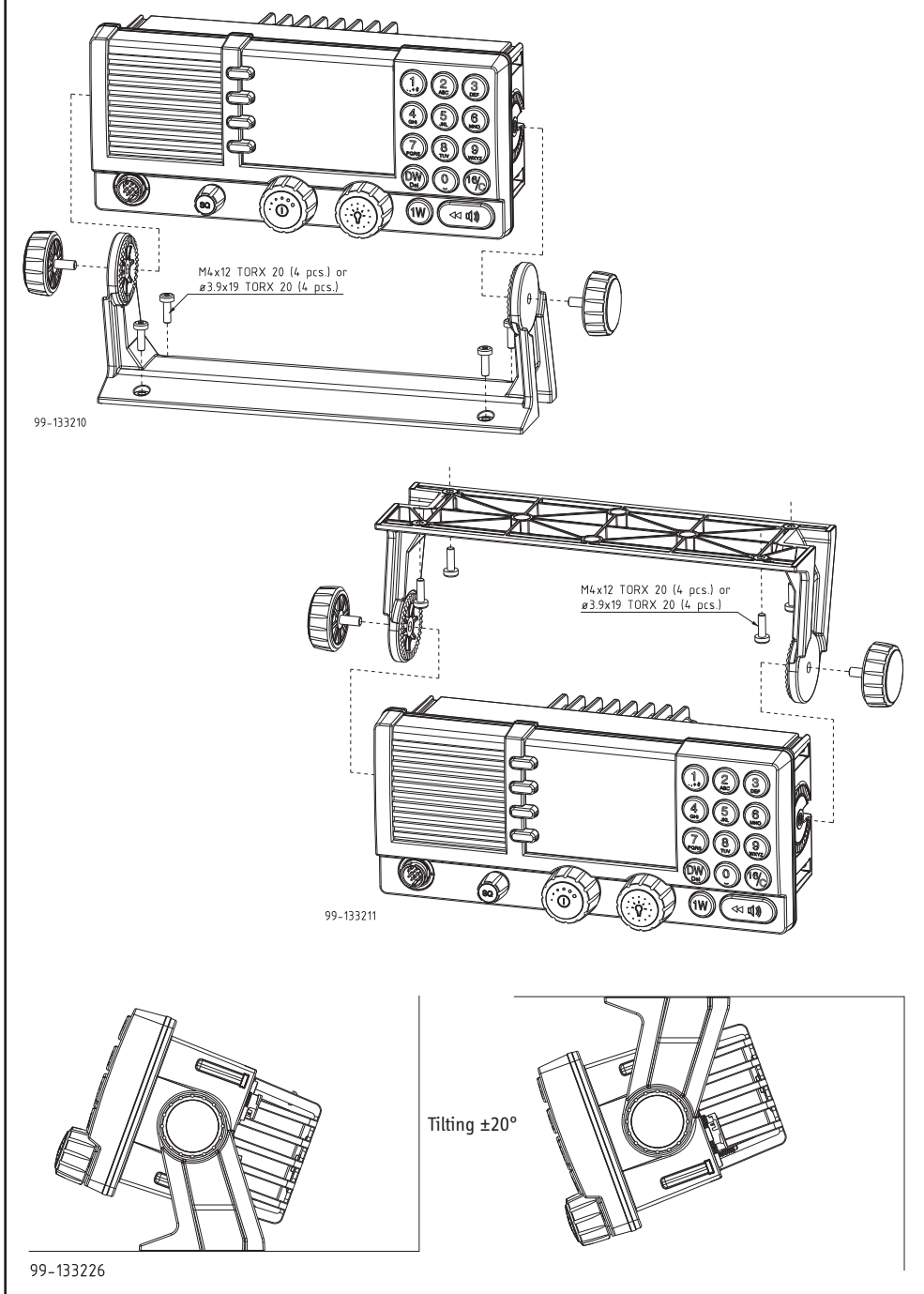
## What's in the box?



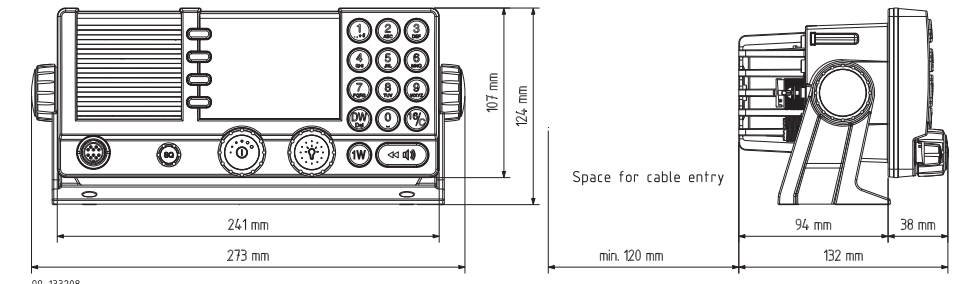
## What do I need to fit it?



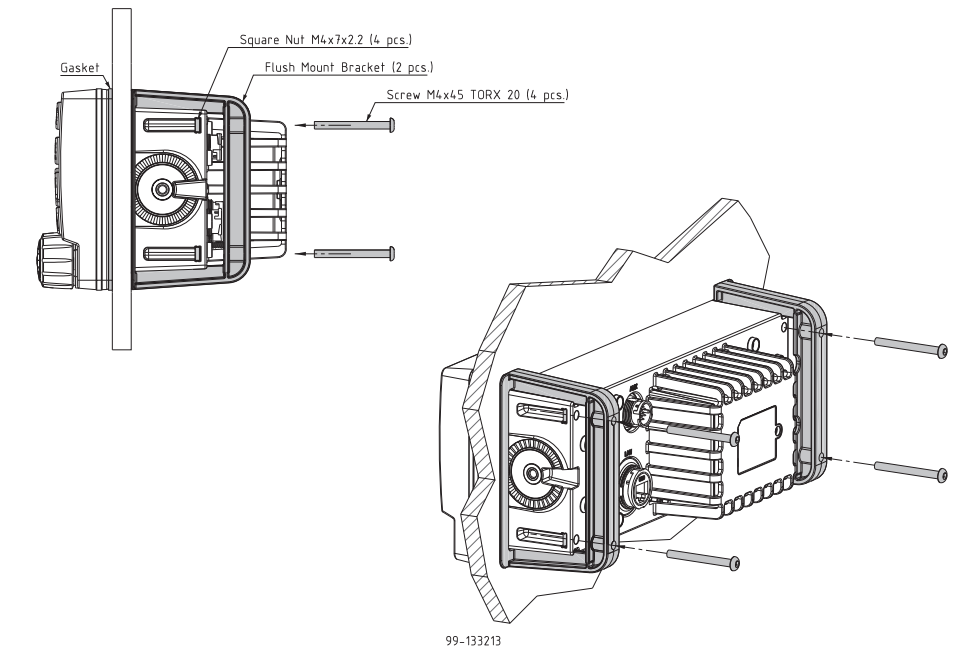
## How to install the VHF on desktop and overhead



## Dimensions for the SAILOR 6248 VHF

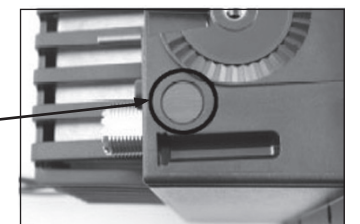


## How to install the VHF flush mount

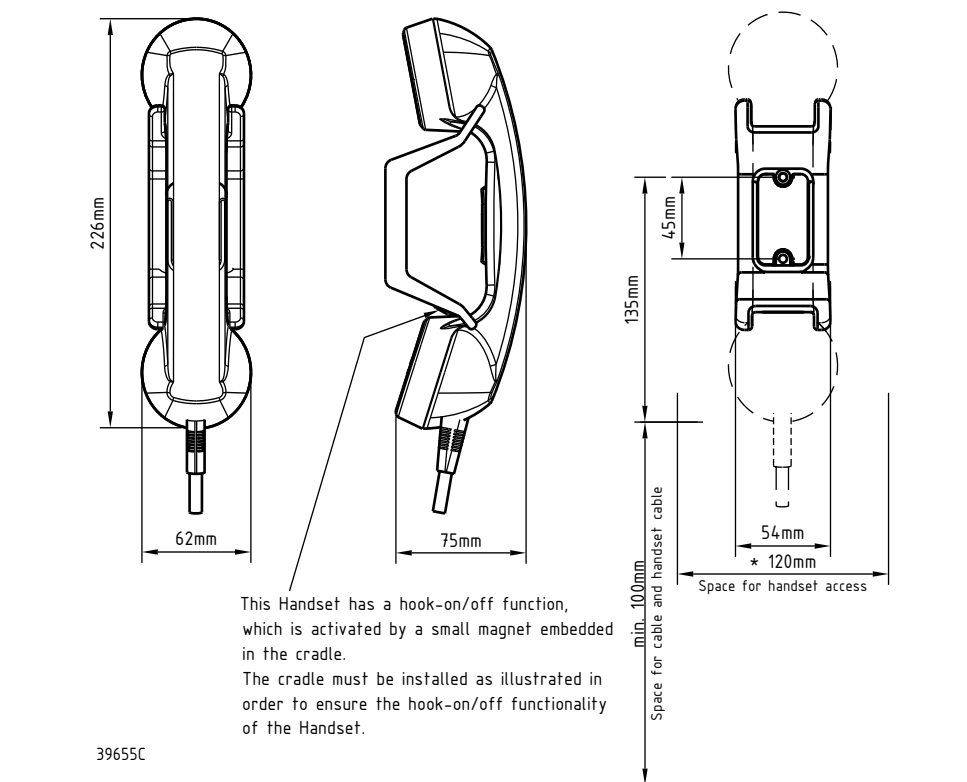


## Very important information!

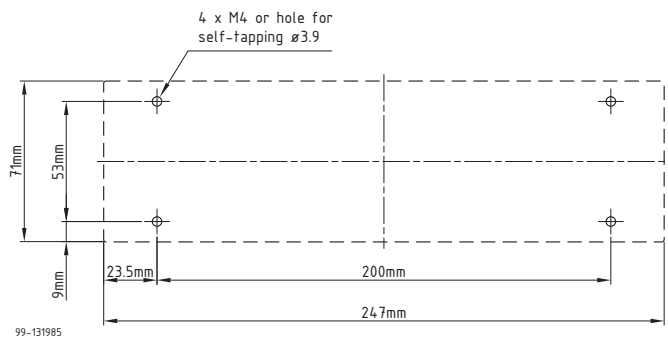
Do not remove the membrane. If you remove the membrane the radio will not be waterproof.



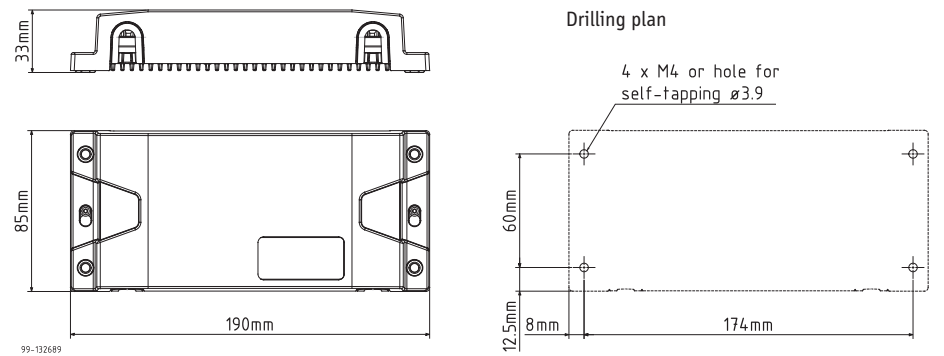
## How to install the handset



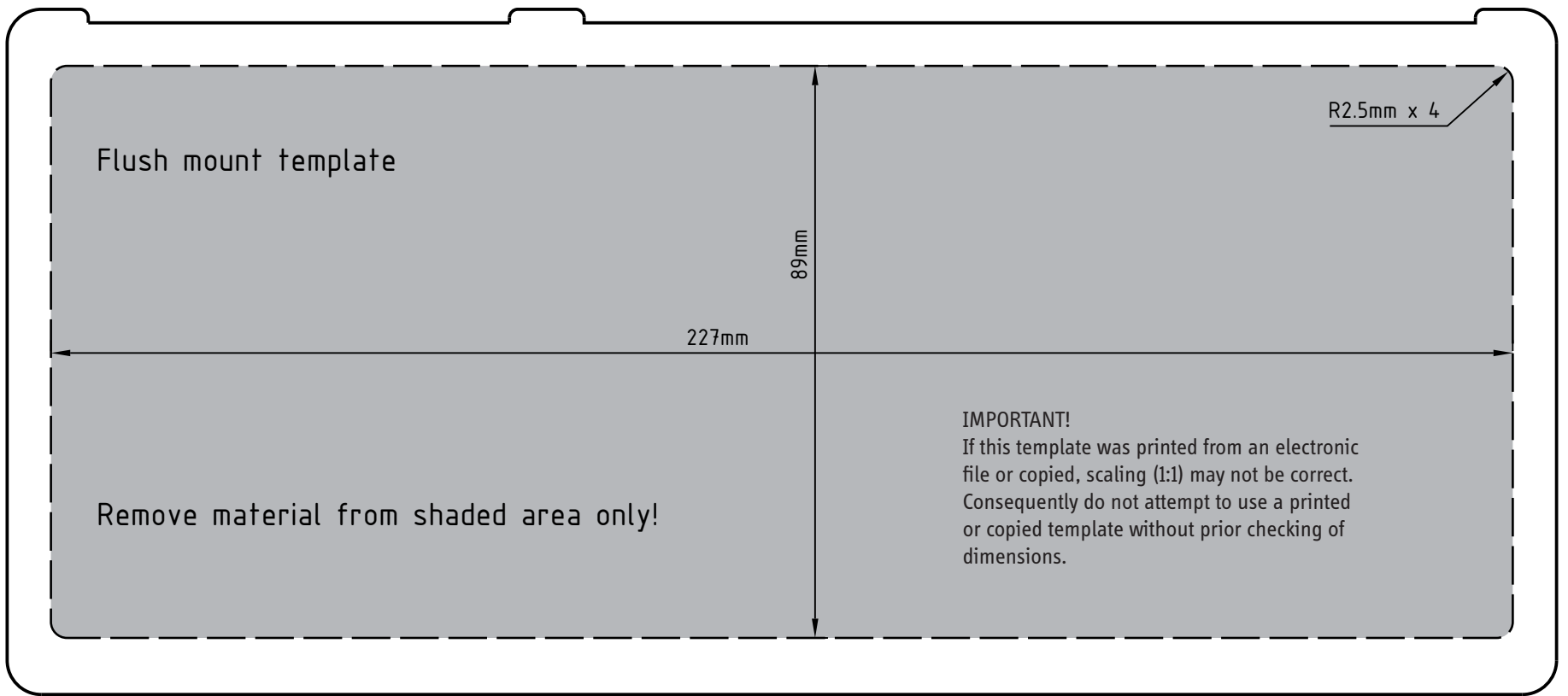
### Drilling plan on desktop and overhead



### How to install the SAILOR 6090 Power Converter

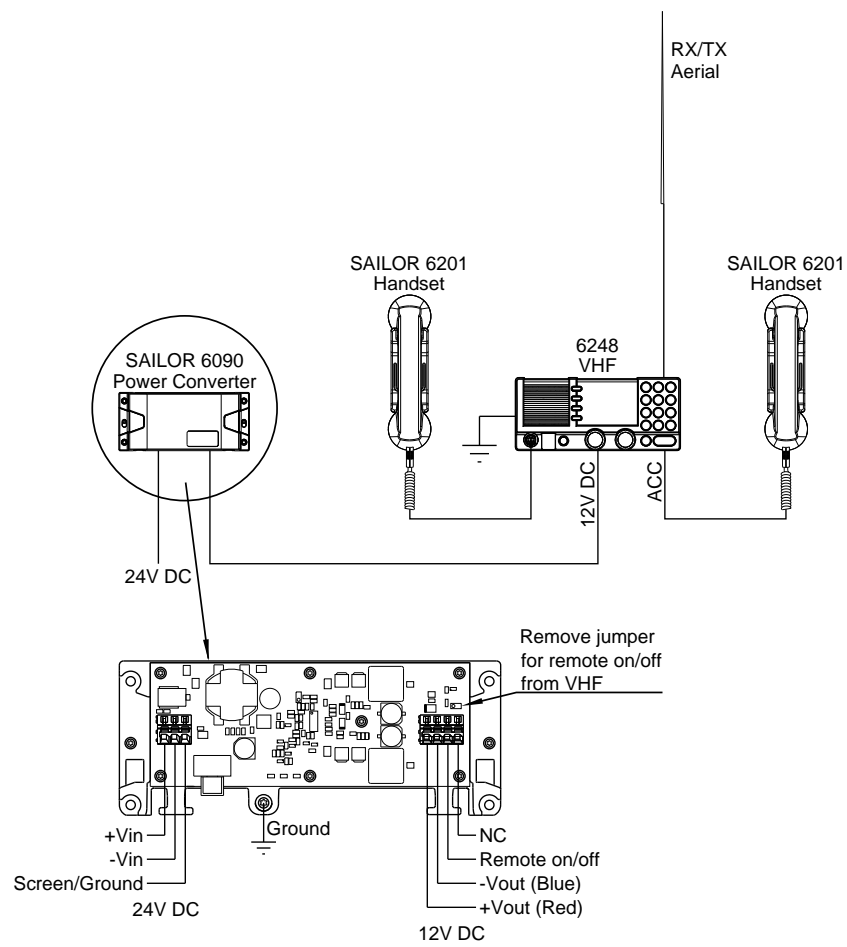


### Cutout template for flush mounting of the VHF



Scale 1:1

### System Configuration - Example



For further information, please download the installation manual part no. 98-133233 on <http://esupport.thrane.com>

99-133232

98-132282-A