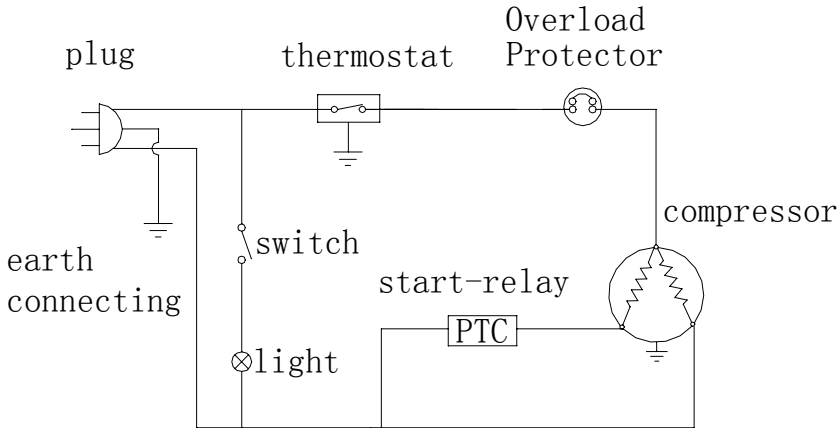


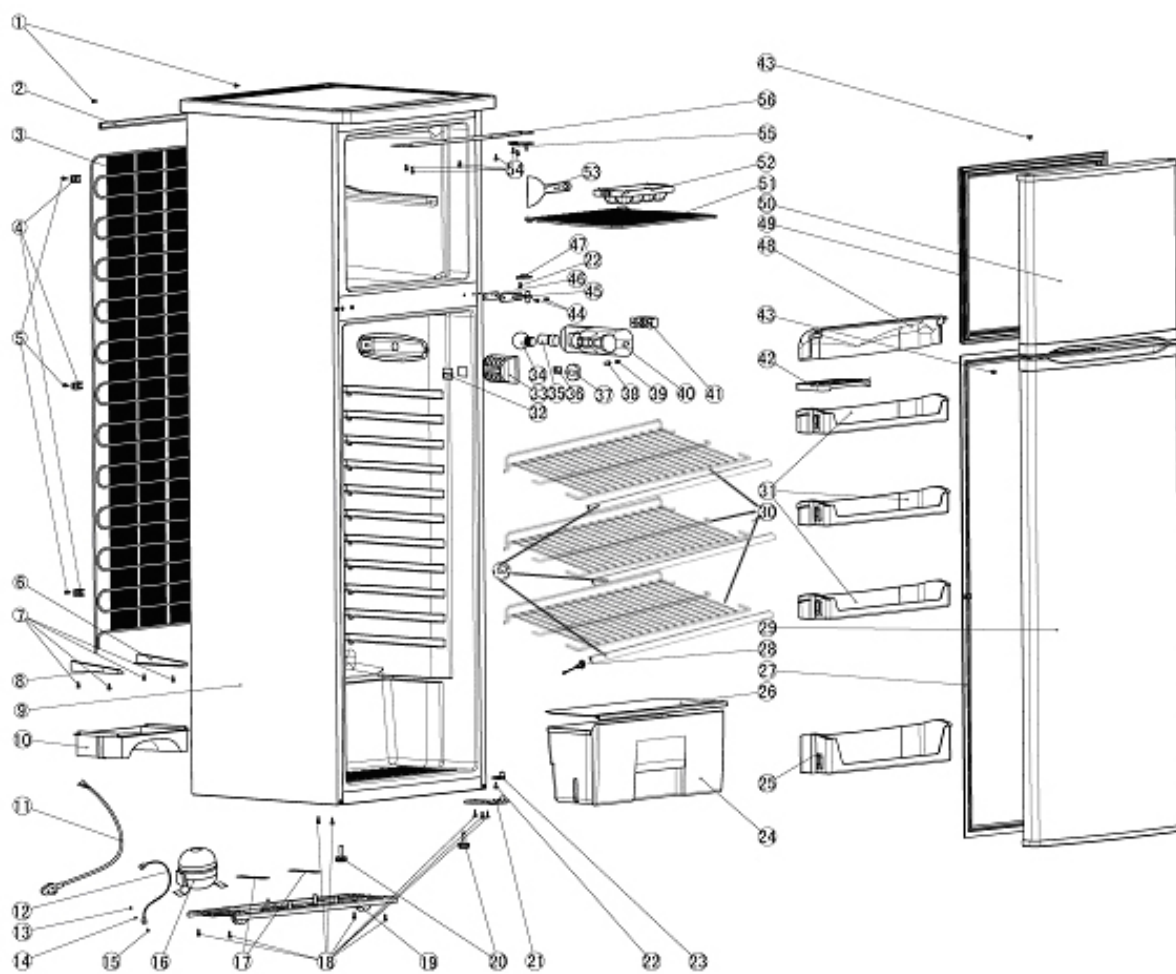
S E R V I C E

M A N U A L

RA758WT

WIRING DIAGRAM





REF.	PART NO	DESCRIPTION	QTY.
1		screw ST3. 5X9. 5-C-H	2
2	QJHT3-007/D	condensor plastic trim	1
3	QJHT3-005	condensor support	6
4	GB/T5285-C	Screw(ST4. 2X25-C)	6
5	20606300	Condenser	1
6	20604134	drain tray support(left)	1
7	GB845-85	screw(3.5X13)	4
8	20604135	drain tray support(right)	1
9	20606101	foamed cabinet	1
10	20604133	drain tray	1
11	QJHT4-024/BA	plug	1
12	QJHT4-027/A	earthing cable	1
13	GB6170-86	Nut (M4)	1
14	GB862. 1-87	washer	1
15	GB65-85	Bolt (M4x8)	1
16	QJTH3-000/005	compressor	1
17	QJTH4-012	compressor stator	2
18	GB/T29. 2-1988	Bolt (M5X16)	10
19	20605118	compressor traverse	1
20	20601126	adjustable foot	2
21	20605120	bottom hinge	1
22	GB845-85	screw(3.5X13)	2
23	20605213	door stopper	1
24	20605512	salad crisper	1
25	20605515	bottle balcony	1
26	20605507	crisper cover	1
27	20606209	refrigerator door seal	1
28	20604510	drain guide stem	1
29	20606206	refrigerator foamed door	1
30	20606506	wire shelf(fridge compartment)	3
31	20605514	balcony	3
32	QJTH4-012	lamp switch	1
33	QJTH4-017	lamp housing cover	1
34	QJTH4-010	lamp	1
35	QJTH4-011	lamp holder	1
36	QJTH4-021/A	hole cover	1
37	QJTH4-018/A	thermostat knob	1
38	QJTH4-019	screw cover	1
39	GB846-85	screw(2.9X16)	1
40	QJTH4-016	lamp and thermostat housing	1

41		thermostat	1
42	20604515	egg tray	1
43	20604217	hinge plug	2
44	GB5783-86	bolt(M5*12)	2
45	20604126	middle hinge	1
46	20604129	middle hinge cushion	1
47	20604215	door stopper	1
48	20605513	balcony flap	1
49	20606204	freezer door seal	1
50	20606201	freezer foamed door	1
51	20606501	wire shelf(freezer compartment)	1
52	20602505	ice cube tray	1
53	20602504	ice scrapper	1
54		screw(M4×12)	6
55	20605119	upper hinge	1
56	20605114	top cover plate	1
57	20606507	plastic front trim	3