

■ CAPLE ■

INSTALLATION AND OPERATING INSTRUCTION BOOKLET

**LIBERTY SINGLE ELECTRIC FAN OVEN
MODELS C210 F/A & C210 F/W**



IMPORTANT: You must read this instruction Book before installing or using this appliance and retain it for future use.

Caple Products

Telephone 0870 2411142

Facsimile 0117 982 6878

Thank you for buying your new CAPLE Built-under oven. To ensure that you get the best results from your new Built-under oven, we strongly suggest that you read this instruction manual thoroughly before use. This manual contains installation advice, usage instructions and a cleaning guide, as well as other important facts about your CAPLE Built-under oven. If treated with care, your CAPLE Built-under oven should give you years of trouble-free cooking.

IMPORTANT WARNINGS AND ADVICE

After unpacking, make sure that the appliance is in perfect order. If you have any doubt, do not use it and contact the retailer or call a qualified engineer.

Pieces of packing (plastic bags, polystyrene, nails, metal, etc.) must not be left within the reach of children because they are potential sources of danger.

- do not try to modify the appliance's technical characteristics because this could be dangerous
- do not clean or maintain the appliance without previously disconnecting it
- when you decide not to use this appliance any more or if you want to throw away your old appliance, before dumping it, make it unusable following the procedure laid down by the standards in force concerning protection of health and the environment. The parts which could be dangerous to children, must be made harmless.

WARNING AND USEFUL ADVICE FOR USING ELECTRICAL APPLIANCES

The use of an electrical appliance involves the observance of certain fundamental precautions. In particular:

- do not touch the appliance with wet hands or feet
- do not use the appliance without footwear
- do not let children or people who are not capable, use the appliance without supervision.

The manufacturer declines any responsibility for damage caused by incorrect, mistaken or irrational use.

**For Spare Parts, Technical Advice
or Product Service call the
CAPLE HELPLINE on 0870 2411142
(Answer phone outside office hours)**

SAFETY REMINDERS

Instruction Book

This appliance should only be used for its intended purpose as described in these instructions.

Ensure that you fully understand these instructions before operating this appliance.

Space Requirements

Ensure that the specified ventilation space around the appliance is not obstructed.

Food Splashes

Always wipe clean the oven after use. Food splashes can carry on cooking next time and may become a fire hazard.

Hot Surfaces

It is important to remember that the surfaces of cooking appliances get hot during use and retain the heat for some time after switching off.

It is therefore advisable to keep small children away from the appliance.

The Grill and Top oven element

Are exposed, so take great care when placing food in the oven or removing it. Use the grill panhandles or gloves.

DO NOT line the oven, grids, trays etc. with aluminum foil as this could adversely affect the heating elements and it could also damage the interior surfaces.

DO NOT place flammable materials in the oven.

Faults

Do not continue to use this appliance if it appears to be faulty.

After Use

Switch the oven controls off.

Always switch off at the isolating switch before cleaning the appliance, or attempting any maintenance task, or when not in use for long periods (when on holiday).

CAPLE Service

To ensure the continued safe and efficient operation of this appliance, we recommend that any servicing or repairs are carried out only by an authorised CAPLE SERVICE ENGINEER.

ELECTRICAL REQUIREMENTS

WARNING!
ELECTRICITY CAN BE
EXTREMELY
DANGEROUS.
THIS APPLIANCE
MUST BE
EARTHED.

This Installation should be carried out by a competent electrician in accordance with current I.E.E. Regulations.

This CAPLE product must be connected to an electricity supply at the voltage shown on the rating plate. Connection must be made via a double pole-isolating switch with a contact separation of at least 3mm.

Use supply cable, having a minimum conductor cross-sectional area of 1.25 mm².

Where both hob unit and **an oven are to be installed adjacent to each other, both appliances may be supplied via the**

same double pole-isolating switch using separate supply cables. Check that the total loading of the installation is within the capacity of the double pole isolating switch and the supply circuit.

Allow sufficient length in the supply cable(s) for removal of the appliance(s) for any subsequent servicing. Ensure that this extra cable is not trapped and is not in contact with the underside of any hob when fitting the appliance(s) in position.

As with all electrical appliances always switch off the electricity supply when not in use for long periods (when on holiday) and before attempting any maintenance task.

Fitting Into position

Your new CAPLE oven is designed to fit into a kitchen unit, which is at least 550 mm deep.

Before proceeding with the installation, check that the oven will fit into the space intended for it, appropriate ventilation slots are provided as per installation instructions on page 5 and that all packing material has been removed.

IMPORTANT

Materials used to build the oven housing must be capable of withstanding temperatures of up to 100°C and the housing must be firmly fixed in position.

Before Use

- Check that all accessories have been removed from the oven interior.
- Set the temperature to 225°C using the temperature control knob.
- Leave on for approximately 30 minutes. This will burn off any protective coating applied to the oven during manufacture.
- The kitchen should be well ventilated during this time as there may be an odor given off.
- When cool, wash the accessories and the oven with warm water and mild detergent.

ELECTRICAL INSTALLATION

1. This appliance must be connected to a double pole isolating switch (fig. 1) and to the terminal block in the oven (figs. 2 & 3) using the following guide:
2. The wire which is coloured brown must be connected to the terminal marked L (Live), or coloured Red.
3. The wire which is coloured blue must be connected to the terminal marked N (Neutral), or coloured Black.
4. The wire which is coloured green and yellow must be connected to the terminal marked E (Earth), or coloured Green.

IMPORTANT: These connections must be carried out by a qualified electrical engineer.

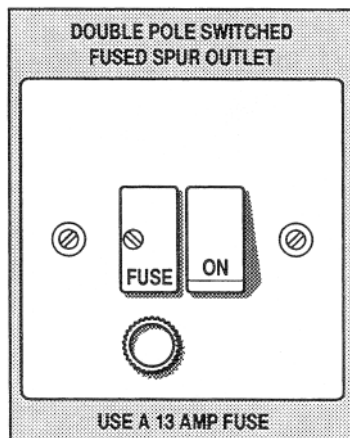


Fig. 1

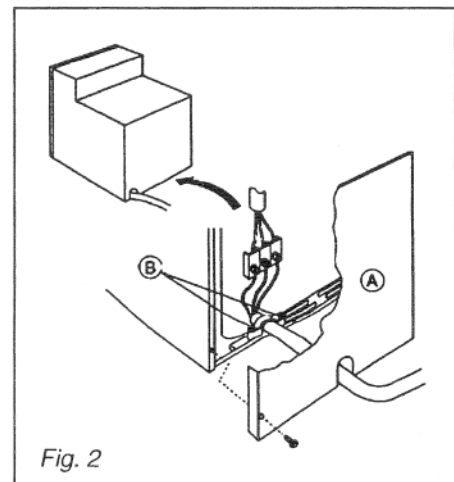


Fig. 2

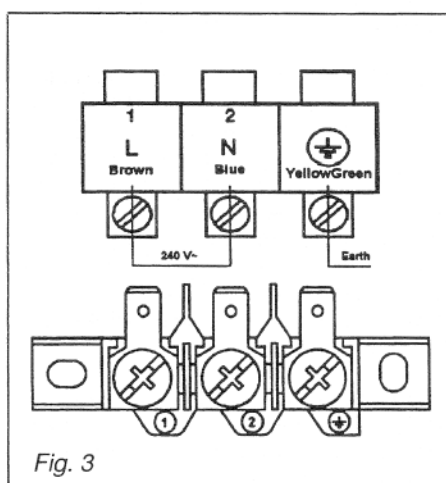


Fig. 3

HOW TO INSTALL YOUR OVEN

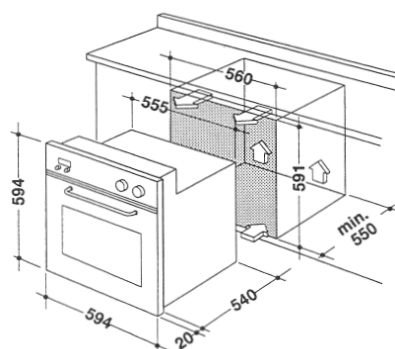


Fig. 4 - Built under

You need the following housing area to fit your oven correctly. The oven is designed to fit into a cabinet 600 mm wide. The oven can be built-in or built-under the kitchen units.

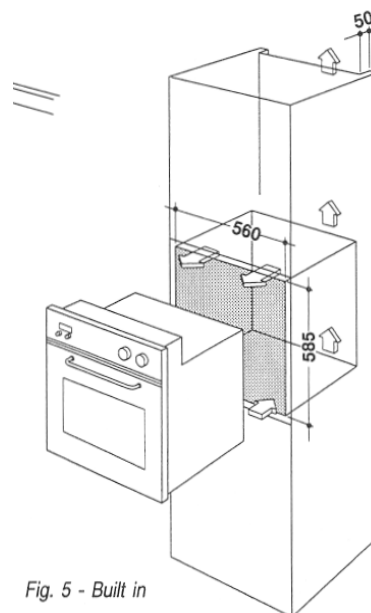


Fig. 5 - Built in

DIMENSIONS	Oven	Housing aperture
Height	596 mm	585mm (In-column installation) 585mm (Built-under installation)
Width	596 mm	560mm
Depth	540 mm	550mm

It is essential that the oven housing is well ventilated.

If the oven is being installed into a fully enclosed built-under oven housing (fig. 4) it may be necessary to cut a small slot in the top of the plinth panel fitted under the unit. Cut a section 400 mm wide and a minimum of 15 mm high to allow air to pass under the unit. **Also ensure that the front rail at the top of the unit is not installed as it could restrict ventilation.**

If the oven is being built in to a kitchen unit (fig. 5) ensure that the oven is ventilated with a 50 mm space at the top of the kitchen unit.

Failure to allow adequate ventilation for the appliance may result in over heating or damage to adjacent units.

Caple does not accept any responsibility for any damage caused due to non-compliance with these instructions.

To install the oven into a kitchen unit (fig. 5) first ensure that the oven housing is firmly secured to the wall and/or adjacent fittings.

Lift the oven carefully into position on the shelf, taking care NOT to lift it by the door handle.

If you lower the oven door, you will see four screw holes, two on each side of the oven.

The oven should then be secured to the housing by fitting screws into these holes.

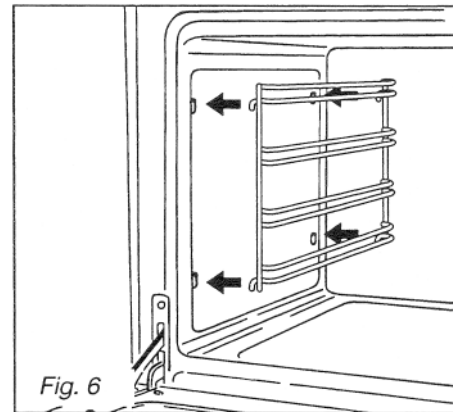
HOW TO USE YOUR OVEN

You will find the following items delivered with your oven; grill pan and 1 x handle, 2 wire side frames, 2 shelves, instruction booklet and guarantee card.

The rating plate can be found on the bottom right hand side of the inner door.

Before using the oven for the first time we recommend that you clean it with soapy water. Rinse carefully and heat for 30 minutes at maximum temperature.

A slightly unpleasant smell may be produced, caused by grease remaining on the oven elements from the production process.



Attach the side frames as shown in fig. 6.

Control panel

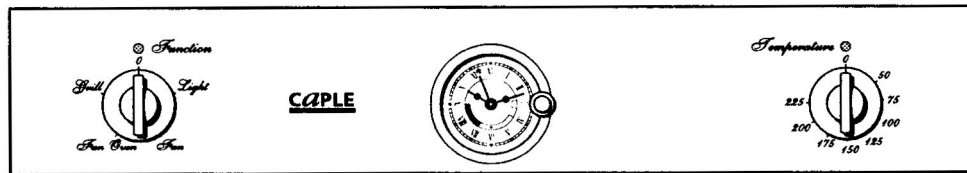


Fig. 7

B

A

C

The fan is situated on the back wall of the oven.

The heating element encircles the fan, and the fan forces this heat into the oven, through the sidewalls, creating a more even temperature than a conventional oven.

The moving hot air surrounds the food and penetrates it more quickly than in a conventional oven.

The oven can be filled with foods all requiring the same cooking temperature. Subtract 10 minutes per hour for every dish requiring a conventional cooking time of more than one hour, and to reduce the heat by 10-20°C; the hotter the oven, the more heat can be reduced.

Generally, it is not necessary to preheat a fan oven. However, pre-heating for 5 minutes ensures the best results.

When the fan is turned on and the temperature control set is at 0°C, the oven can be used for defrosting food-

This is ideal for gelatin-based dishes and softening ice-cream - a microwave oven is much too strong for these dishes.

Proving yeast-based dishes is also speeded up this way.

If the oven door has been opened, the fan oven quickly regains its temperature once the door is closed.

HOW TO USE YOUR OVEN

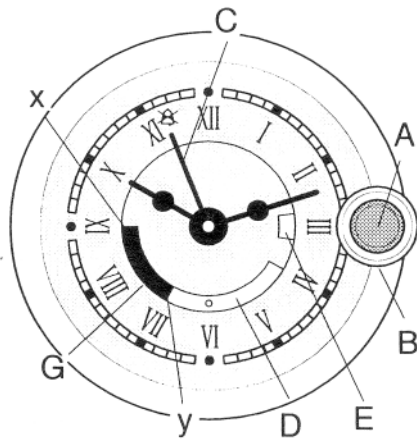


Fig. 8

A. Autotimer

This device comprises the following functions:

- Electric clock
- Minute counter with acoustic signal (up to 55 minutes)
- Automatic cooking program (programming of end of cooking time and cooking duration)
- Semi-automatic cooking program (immediate start of cooking and programmed end of cooking period).

Electric clock (Fig. 8)

To set the time, rotate the small knob (A) clockwise or anticlockwise exerting a slight pressure.

Minute counter

The minute counter function consists simply of an acoustic signal which sounds once the set time has elapsed. To set the minute counter, rotate the small knob (A) clockwise or anticlockwise (without pressing it) until the hand (C) coincides with the required time (max 55 minutes). Countdown will begin immediately and the hand (C) will begin to turn anticlockwise, always showing the remaining time. Once the set time has elapsed the acoustic signal will sound until the hand (C) is turned to the "bell" symbol by rotating the knob (A) anticlockwise.

EXCLUDING THE PROGRAMMER

To use the oven manually the programmer must be excluded by turning the larger outer knob (B, Fig. 8) clockwise until the "hand" symbol appears in the window (E, Fig. 8).

PROGRAMMER

The semicircular programming window (D) rotates clockwise, operated by the larger outer knob (B).

The end (x) of the semicircular window (D) is the end of cooking indicator.

The end (y) of the red sector (G), which can be seen by rotating the knob (B) anticlockwise, is the beginning of cooking indicator.

The red section (G) shows the cooking time.

When "0" appears in the window (E) this indicates that cooking is finished.

AUTOMATIC COOKING (Fig. 8)

If you wish the oven to switch on and off automatically:

1. Set the end of cooking time within a 12 hour range.
2. Set the beginning of cooking time (end of cooking time minus cooking time).
3. Set the oven function and temperature.

These operations are carried out as follows:

- Set the end of cooking time by turning the larger outer knob (B) clockwise until the end (x) of the semicircular window (D) coincides with the required time.
- If you go beyond the required time, you must repeat the whole cycle as it is not possible to scroll in reverse.
- Set the beginning of cooking time by rotating the larger knob (B) anticlockwise until the end (y) of the red sector (G) coincides with the required time.
- The red sector (G) indicates the cooking time (max 3 hours 45 minutes) and therefore the period the oven remains on.
- As the cooking time elapses the red sector will rotate together with the clock hand.
- Set the required cooking function and temperature via the function selector and thermostat knob (see page 11).

The oven is now programmed and everything will work automatically.

Referring to the example in Figure 8:

The oven will come on at 7.00 (end x of the red sector G)

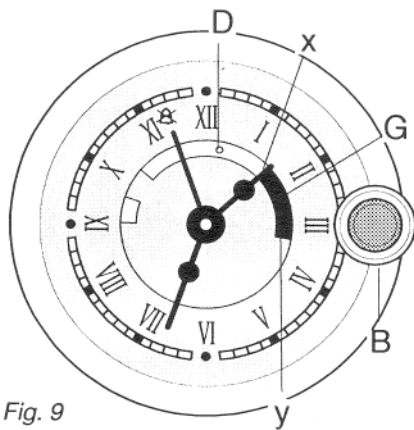
- Cooking duration 2 hours
- End of cooking at 9.00 - oven will switch off and the "0" will appear in the window (E).
- When the "0" appears in the window (E) this means that cooking has finished; zero the function selector and thermostat knob and reset the programmer to manual by rotating the larger outer knob (B) clockwise until the symbol U appears in the window (E).

SEMI-AUTOMATIC COOKING

This automatically switches the oven off at the required time. To do this, follow the instructions below:

1. Set the end of cooking time by rotating the larger outer knob (B) clockwise until the end (x) of the semicircular window (D) coincides with the required time.
2. Rotate the larger outer knob (B) anti-clockwise until it stops at the hour hand.
3. Set the required cooking function and temperature via the function selector and thermostat knob (see page 11).

The oven will begin to work immediately and will switch off automatically at the set time. Zero the oven knobs and reset the programmer to manual.



HOW TO USE YOUR OVEN

B. Function Selector

Cook or grill by turning the knob until the indicator on it is in line with the function required.

LIGHT The oven light is switched on.

FAN The fan switches on. This function can be used for defrosting food.

FAN OVEN Use in conjunction with the temperature selector C.

GRILL Grill with the door closed. Set the function selector B to the grill position and the temperature selector C to the desired temperature till to max. **175°C**. The temperature can be varied depending on the food being cooked. Before using the grill, pre-heat for about five minutes. Position the grill pan on the highest shelf position and check continually as the food could easily burn.

Note: it is recommended that you do not grill for longer than 30 minutes at any one time.

C. TEMPERATURE SELECTOR

The light above this dial will illuminate when the oven is switched on and turns *off* when the oven reaches the correct temperature.

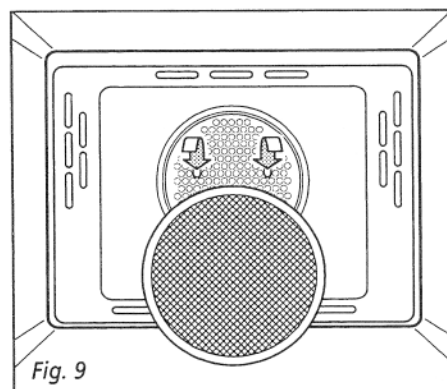
The light will cycle on and off during cooking in line with the oven temperature.

Grease Filter

A special screen is provided at the back of the fan oven to catch grease particles, mainly when meat is being roasted. When baking pastry etc, the filter should be removed.

Always clean the filter after cooking as any solid residues on it might adversely affect the oven performance.

The inside of the oven can be easily cleaned with a wet cloth and oven cleaner.



As a safety measure, before you start cleaning the oven, make sure the electrical supply is switched off.

You should clean the oven when it is cold.

Do not leave acid or alkaline residues (lemon juice, vinegar, salt, tomato, etc) on the enameled surfaces.

Avoid abrasive cleaning products on the painted parts.

TROUBLE SHOOTING

Problem

Food too brown but not cooked.

Remedy

Turn down the oven temperature slightly and cook a little longer

Problem

Food cooked but not brown enough.

Remedy

Increase temperature.

Problem

Food baking unevenly.

Remedy

- 1. The temperature may be slightly high turn it down*
- 2. Position the food in the centre of the shelves rather than towards the sides of the oven.*
- 3. Rotate the food a half turn in the oven.*
- 4. Try pre-heating the oven for 5-15 minutes prior to baking.*

Always remove cooked items as soon as they are ready and continue cooking the under-cooked items until they are completely finished.

CHANGING THE OVEN CAVITY LIGHT BULB.

If the oven light fails:

1. Turn off the oven by switching the oven selector to 0, switch off at the cooker point.
2. When the oven is cool, reach back and upwards inside the oven, the bulb is in the top left corner.
3. Unscrew the light glass cover, replace the bulb with a new one of the same specification and screw the cover back until it is hand tight.

NOTE: Oven bulb replacement is not covered by your guarantee.

Other bulbs cannot be changed by yourself and should be replaced by an authorised CAPLE Service Engineer.

Bulbs other than the oven bulb are covered by the guarantee.

IMPORTANT: Ovens get hot. Keep children away from this appliance at all times.

If Your Oven Does Not Work

Before calling a CAPLE service engineer run through the following checklist.

1. The oven is connected to the power supply and that the fuse is intact.
2. Make sure the timer control is set to the manual position, and that the oven has not been set inadvertently for an automatic or timed programme.

If you are in any doubt about carrying out these checks, call the **CAPLE Helpline on 0870 2411142.**

A charge will be made if the appliance is found to be in working order, or if it has not been installed in accordance with these instructions, or if it has been used incorrectly.

RECOMMENDED COOKING TEMPERATURE

Food	°C	°F Mark	Gas	ShelfCooking Position*Time (approx)	
CAKES					
Victoria sandwich	190	375	5	2 or 3	20-25 mins
Small cakes/buns	190	375	5	1 and 2	15-20 mins
Madeira cake	180	350	4	2 or 3	20 mins
Fruit cake	170	325	3	3	1¾ hours
Rich fruit cake	150	300	2	3 or 4	2½ hours
Scones	225	425	8-9	2	8-10 mins
PASTRY					
Puff	225	425	8-9	2	10-20 mins
Short crust	200	400	6	2	20-30 mins
Plate tarts	200-210	400-410	6	1 or 2	30-35 mins
Quiches and flans	200-210	400-410	6	1 or 2	40-45 mins
YEAST					
Bread loaf	225	425	7-8	2	35-55 mins
Bread rolls	220	425	7	1 or 2	15-20 mins
Pizza dough	230	450	8	2	20 mins
ROAST MEAT					
Beef - Medium	190	375	5	2 or 3	20 mins/lb + 20 mins
Lamb	190	375	5	2 or 3	25-30 mins/lb +25 mins
Pork	190-200	375-400	5-7	2 or 3	30 mins/lb + 30 mins
Veal	190	375	5	2 or 3	30 mins/lb + 30 mins
Chicken	190	375	5	2 or 3	30 mins/lb + 30 mins
Turkey up to 10lb	180	350	4	2 or 3	18-20 mins/lb +20 mins
Stews/casseroles	150-170	300-325	2-3	2 or 3	1½ - 2 hours

N.B. for fan ovens reduce the temperature by 10 - 20° C. For any dish taking one hour or over to cook, reduce the cooking time by 10 minutes per hour.

*

Shelf positions have been counted from the top of the oven to the base.

A fan oven creates more even temperature throughout, therefore the shelf positions are not as critical.

CAPLE "Built-in" Service

Should you require service at any time, please contact the **Caple Help line on 0870 2411142**.

Caple have a nationwide service network of engineers who will respond quickly to your call.

Always replace spare parts with genuine Caple spares. These are available from authorised **Caple Service Centers** or by mail order from our **National Service Stores, simply telephone 0870 2411142**. When ordering parts always quote the model number and serial number of your appliance.

YOUR GUARANTEE

CAPLE guarantees all parts of this product for one year from the date of purchase. During that time, should it become necessary CAPLE engineers will replace or repair all defective parts free of charge, except for parts subject to fair wear and tear, such as light bulbs.

Parts and the engineers labour costs are chargeable after the first 12 months.

To qualify for benefits under the guarantee, you must be able to provide proof of date of purchase and the appliance must have been supplied, installed and used for domestic purposes only in accordance with CAPLE instructions.

Consequential losses and accidental damage to the product are not covered by the guarantee.

This guarantee does not affect your statutory or common law rights.

CAPLE cannot be responsible for the results of using this appliance for any other purposes other than those described in these instructions.