

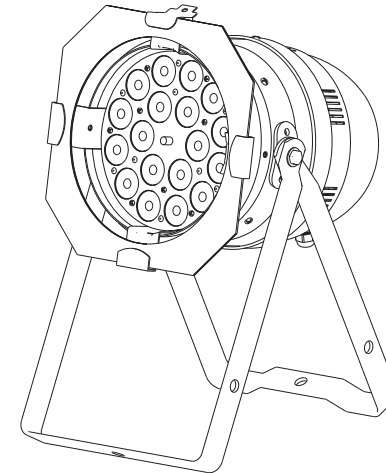
Sound control mode	70**, ** = run mode	1.LED display:7001-7009 run 9kinds program mode separately 2.LED display:7ALL, 9 kinds program mode run 4 times randomly
DMX save data function	F001	DMX channel data has no memory.
	F002	DMX channel has memory, save the present function when turn off the controller.

**Technical Specification**

Power supply	100-240V AC, 47-63 Hz,0.46A
consumption	95W
Dimension	276x260x475mm(LxWxH)
Weight	4.5Kg
Fuse	2A, 250V
Ambient temp. Range:	0/+40°C
Max. Surface temperature:	+80°C

**Light4CE®**

**LED Force PAR 18 RGBW,25°optics,CE**



**USER MANUAL**

# User manual

## LED Force PAR 18 RGBW,25°optics,CE

### SAFETY INSTRUCTIONS

- Every person involved with the installation, operation and maintenance of this device has to :
  - be qualified
  - follow the instructions of this manual
- CAUTION! Be careful with your operations. With a dangerous voltage you can suffer a dangerous electric shock when touching the wires!
- This device has left our premises in absolutely perfect condition. In order to maintain this condition and to ensure a safe operation, it is absolutely necessary for the user to follow the safety instructions and warning notes written in this user manual.
- Important: Damages caused by the disregard of this user manual are not subject to warranty. The dealer will not accept liability for any resulting defects or problems.
- Keep away from heaters and other heating sources!
- If the device has been exposed to drastic temperature fluctuation (e.g. after transportation), do not switch it on immediately. The arising condensation water might damage your device. Leave the device switched off until it has reached room temperature.
- Make sure that the power-cord is never crimped or damaged by sharp edges. Check the device and the power-cord from time to time.
- If the external flexible cable or cord of this luminaire is damaged, it shall be exclusively replaced by the manufacturer or his service agent or a similar qualified person in order to avoid a hazard.
- Shields, lenses or ultraviolet screens shall be changed if they have become visibly damaged to such an extent that their effectiveness is impaired, for example by cracks or deep scratches.
- Never let the power-cord come into contact with other cables! Handle the power-cord and all connections with the mains with particular caution!
- Make sure that the available voltage is not higher than stated in this manual.
- Always disconnect from the mains, when the device is not in use or before cleaning it. Only handle the power-cord by the plug. Never pull out the plug by tugging the power-cord.
- During the initial start-up some smoke or smell may arise. This is a normal process and does not necessarily mean that the device is defective.
- DANGER OF BURNING! Never touch the device during the operation! The housing heats up to the housing temperature TSURFACE.
- Don't switch the device on and off in short intervals as this would reduce the lamp's life.
- HEAL TH HAZARD! Never look directly into the light source, as sensitive persons may suffer an epileptic shock (especially meant for epileptics)!
- Always disconnect from the mains, when the device is not in use or before cleaning it.
- Please note that damages caused by manual modifications on the device or unauthorized operation by unqualified persons are not subject to warranty.
- Keep away children and amateurs from the device!
- There are no serviceable parts inside the device. Maintenance and service operations are only to be carried out by authorized dealers

### OPERATION INSTRUCTION

- 1) The system has DMX online mode and stand-alone mode. DMX online mode can link up each other and is controlled by DMX controller. Stand-alone has some functions, such as dimmer, change program, music active and so on.
- 2) When under DMX mode or Master/slave mode, the signal is present. The slave LED will blink fast. The address will blink without signal.
- 3) If the slave links up the master and also connects with DMX controller, the master can identify automatically the data and also turn off the function of sending data from master. Under this mode, the led is lightless. The slave receives the signal from DMX controller.
- 4) When receive the DMX signal, Master/slave mode change into DMX online mode (DMX mode 2). When cancel the DMX signal, it will go back.

### Function Test

- (1) The system has DMX online/stand-alone mode. DMX online mode can link up with each other and controlled by DMX controller, stand-alone has some functions, such as dimmer, change program, change, sound control and so on.
- (2) When under DMX mode or master/slave mode, the signal is present, the slave LED will blink fast, the address will blink without signal.
- (3) If the Slave link up the Master and also connects the DMX controller, the Master can automatically identify and also turn off the function of sending data from Master, under this mode, the LED is lightless, the Slave receives signals from DMX controller.

### Function description

#### 1) Display

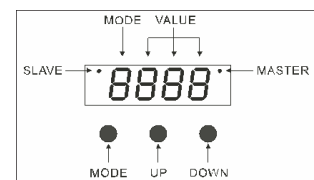


figure 1

- a. Mode : LED displays running mode
  - b. VALUE : LEDs display address, speed, dimmer value. (see figure 1)
  - c. SLAVE : The slave receive indication.
  - d. MASTER: The master send indication.
- 2) UP : Select DMX address and speed clockwise direction
  - 3) DOWN : Select DMX address and speed counter-clockwise direction
  - 4) MODE : Select LED mode, the details as Figure 1

The device has the function of saving automatically the present state, and after powering off it will run the last mode when re-start.

Figure 1

	mode	LED display	Function
Display	On all time	0001 display mode	The display is on all the time
	Auto turn off	0002 display mode	The display can turn off automatically after running 10s, under the condition any button is no function. It can display by pressing any button 3s.
DMX	CH1	1***, ***-DMX address	CH1= R dimmer, CH2= G dimmer, CH3= B dimmer, CH4=W dimmer
	CH6	2***, ***-DMX address	CH1= R dimmer, CH2= G dimmer, CH3=B dimmer, CH4=W dimmer, CH5=total dimmer, CH6=strobe total
Slave mode		3***, ***-random number	Under manual mode, sound control mode can receive slave mode. under slave mode, the machine can do nothing, only can receive the master and corresponds to the Master mode. All the Slave run modes are corresponding to the Master modes.
Manual mode	Fixed color mode	40* *, ** Fixed color mode	20 kinds of Fixed color mode can be chosen
	Fixed program mode	50 * *, ** Fixed program mode	Change preset 9 kinds of programs via Up/Down.
	Adjust speed	60* *, ** =speed value	Change the speed in the selected program under the 50**function via Up/Down (16 the fastest speed)
	R adjust luminance	1***, ****= luminance value	adjust the red luminance value via Up/Down key. (0-255)
	G adjust luminance	2***, ****= luminance value	adjust the red luminance value via Up/Down key. (0-255)
	B adjust luminance	3***, ****= luminance value	adjust the red luminance value via Up/Down key. (0-255)
	W adjust luminance	E ***, ****= luminance value	adjust the red luminance value via Up/Down key. (0-255)