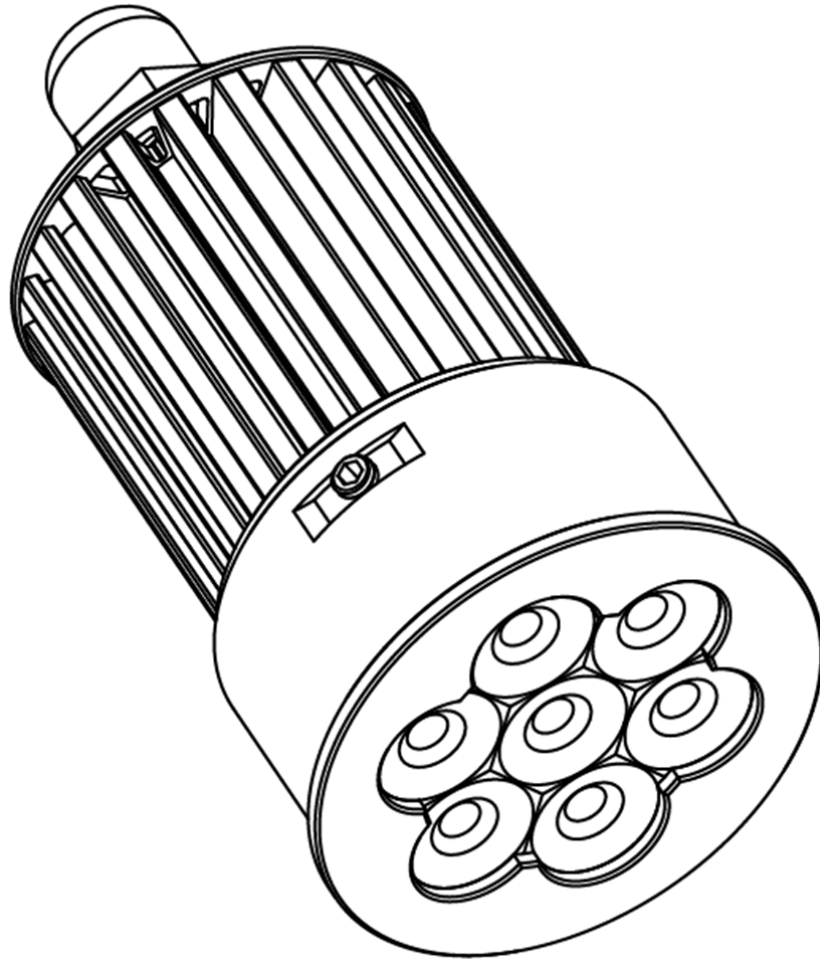


Illumipod LΩgic™ 6 Optic RGB

Quick Reference Guide



What Is Included
 One Ilumipod LQgic™ 6 Optic RGB
 One CAT5 Splitter
 One Mounting Template
 One Warranty Card
 One Quick Reference Guide

About This Guide
 The LQgic™ 6 Optic RGB Quick Reference Guide (QRG) contains the product's features, options, input power, mounting information, wiring, connectivity, and dimensions.
 Refer to the applicable LQgic™ Controller User Manual from the ILUMINARC® web site (www.iluminarc.com) to learn about the disclaimers, safety notes, programming modes, and detailed technical information and instructions.

| Product at a Glance | | | | |
|---------------------|---|---------------------------|---|--|
| Use on Dimmer | ⊘ | Auto Programs | ⊘ | |
| Outdoor Use | ⊘ | Auto-ranging power supply | ⊘ | |
| Sound Activated | ⊘ | Replaceable Fuse | ⊘ | |
| DMX | ⊘ | User Serviceable | ⊘ | |
| Master/Slave | ⊘ | Duty Cycle | ⊘ | |

- Features**
- RGB LED wash light product
 - High power 1 W (350 mA) LEDs
 - Cast aluminum housing (silver)
 - Direct replacement for MR16
 - Belden 1585A plenum rated data/power cable (79 in / 2 m) with RJ45 connector
 - Low power consumption
 - IP20 ingress protection
 - Compatible with LQgic™ controllers
 - Lightweight and durable construction
 - Plenum rated cable

- Options**
- Brushed aluminum trim ring Order Number: 66666001
 - White painted trim ring Order Number: 66666002

Controllers
 Please refer to the applicable User Manual to learn more about the LQgic™ controllers' currently available. The User Manuals can be downloaded from the ILUMINARC® web site (www.iluminarc.com).

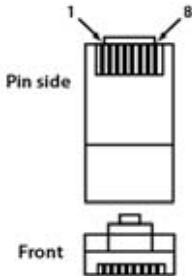
- LQgic™ 1x36
- LQgic™ 4x36
- LQgic™ 16x36

Input Power
 The input power for this product is provided by a LQgic™ Controller (1,050 mA @ 48 V).

Mounting
 To flush mount this product, cut a circular hole in the panel using the provided template. You can use the optional trim ring to lock the product in place.

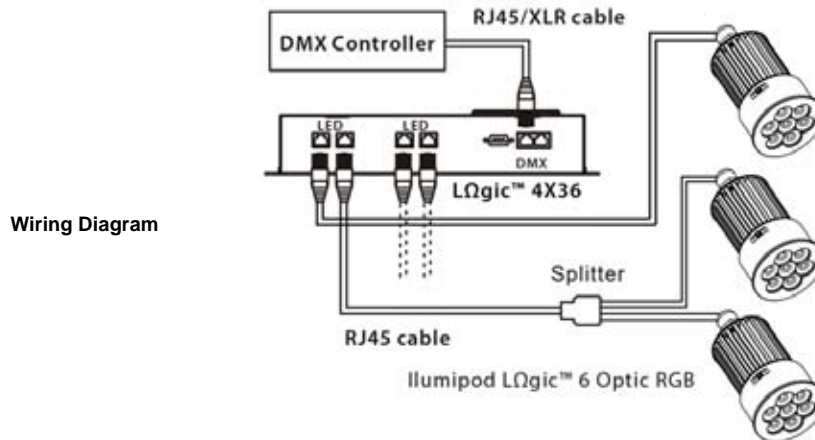
Wiring
 This product comes with a 79 in (2 m) long CAT 5 cable, terminated with an RJ45 plug to connect to a LQgic™ Controller. If using the included splitter or if making an extension of the product's cable, you must use plenum grade CAT 5/6 wire. The RJ45 connector pin out is shown below.

| Pin | Wire Color | Function |
|-----|--------------|------------|
| 1 | White/orange | Warm LED + |
| 2 | Orange/white | Cool LED + |
| 3 | White/green | Warm LED + |
| 4 | Blue/white | Not used |
| 5 | White/blue | Warm LED - |
| 6 | Green/white | Cool LED - |
| 7 | White/brown | Warm LED - |
| 8 | Brown/white | Not used |



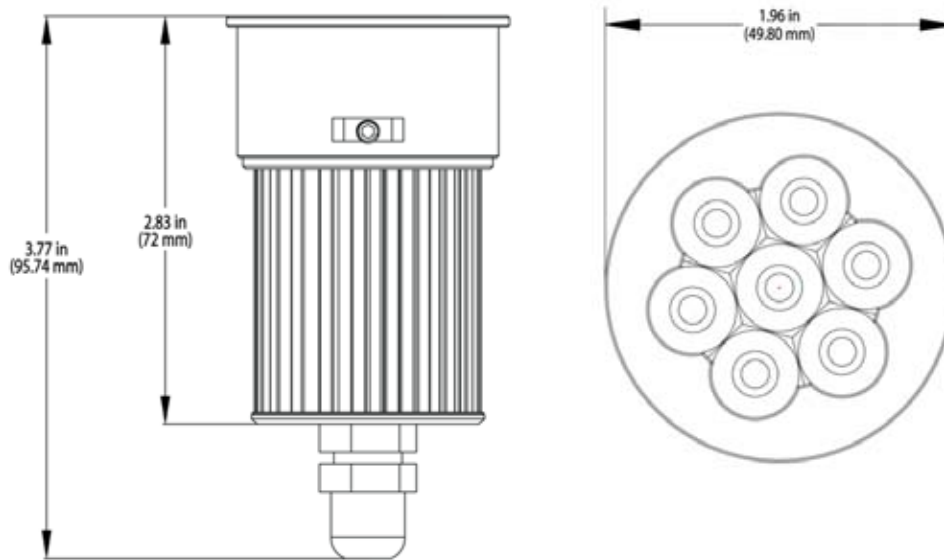
The diagram shows two views of the RJ45 connector. The top view is labeled 'Pin side' and shows pins 1 through 8. The bottom view is labeled 'Front' and shows the physical shape of the connector. The pin numbers 1 and 8 are also indicated on the top view.

Connectivity The figure below shows a possible connection layout using this product and a LΩgic™ 4X36 Controller. Refer to the applicable LΩgic™ Controller User Manual regarding wiring layouts and limitations.



All cables must be terminated to a product. Do not use the splitter as a coupler.

Dimensions



Contact Us

General Information

ILUMINARC®
 5200 NW 108th Avenue
 Sunrise, FL 33351
 Voice: (954) 923-3680
 Fax: (954) 929-5560
 (ATTN: ILUMINARC®)

World Wide Web

www.iluminarc.com

