



PowerAlert

Inquiry Onsite AC
Power Status with a
SMS!

Cost-Effective GSM
Dialer Solution In
The Worldwide!

GSM SMS Voice Alarm Dialer GSM Power Monitoring Alarm



KING PIGEON



**User Manual
RTU5012**

Ver 1.1

Date Issued: 2013-11-12

All rights reserved by King
Pigeon Hi-Tech.Co.,Ltd.

www.GSM-M2M.com



GSM SMS Voice Alarm Dialer GSM Power Monitoring Alarm

Warming Tips---Quickly Guide

If you need the AC power monitoring function only, please read the chapter 5.7~ 5.8, 6.2, 6.14, 6.16 and chapter 7.3 to get the quickly settings to save you time. After you setup, please remove the RTU5012 AC/DC Adaptor to check if you can get SMS alert according to the 6.16 preset time.

Index

<p>1. Brief introduction -----3</p> <p>2. Safety Directions -----3</p> <p>3. Standard Packing list -----4</p> <p>4. Mainly Features -----4</p> <p>5. Installation and Connection Diagram -----5</p> <p> 5.1 Inserting the SIMCard -----5</p> <p> 5.2 Making the Outlets for wires-----6</p> <p> 5.3 Contacting the Wired Sensor, CCTV, IP Camera or Other Alarm Panel to the GSM Dialer -----6</p> <p> 5.4 Contacting the Siren, hooter -----8</p> <p> 5.5 Contacting the Backup Battery -----8</p> <p> 5.6 Contacting the External GSM Antenna -----9</p> <p> 5.7 Contacting the AC/DC Power Supply-----9</p> <p> 5.8 Switching on/off the GSM Dialer-----10</p> <p> 5.9 Amounting the GSM Dialer-----10</p> <p> 5.10 Reset to Factory Default -----10</p> <p>6. Settings-----10</p> <p> 6.1 Setup New Password-----12</p> <p> 6.2 Setup Authorized number-----12</p> <p> 6.3 Inquiry the Authorized number-----13</p> <p> 6.4 Remove the Authorized Number-----13</p> <p> 6.5 Modify the wired zone type-----13</p> <p> 6.6 Modify the SMS Alarm Content-----13</p> <p> 6.7 Inquiry the SMS Alarm Content Setting-----13</p>	<p> 6.8 Setup the Zone Attribute -----14</p> <p> 6.9 Setup the Siren Sound time-----14</p> <p> 6.10 Setup the Alarm Delay Time-----14</p> <p> 6.11 Setup the Arm Delay Time-----15</p> <p> 6.12 Enable to Alert the first Authorized Number ---15</p> <p> 6.13 Required the GSM Dialer callback-----15</p> <p> 6.14 Setup External Power Status Alert Feature-----15</p> <p> 6.15 Setup Siren Response Feature -----16</p> <p> 6.16 Setup Automatically report Status function-----16</p> <p>7. Operating Instructions -----16</p> <p> 7.1 Armed or Stay WITH a FREE call -----16</p> <p> 7.2 SMS Commands for Arm or Disarm or Switch On/Off Siren. -----17</p> <p> 7.3 Inquiry Status and GSM Module IMEI Code-----17</p> <p> 7.4 iOS App and Android Apps Instructions-----18</p> <p>8. Technical specifications-----18</p> <p>9. Maintenance-----18</p> <p>10. Warranty -----19</p> <p>11. Affix Table-----19</p> <p> Table 1. GSM Dialer Installation Schedule-----19</p> <p> Table 2. GSM Dialer SMS Command List-----19</p>
---	--

This handbook has been designed as a guide to the installation and operation of GSM Dialer and GSM Power Monitoring Alarm.

Statements contained in the handbook are general guidelines only and in no way are designed to supersede the instructions contained with other products.

We recommend that the advice of a registered electrician be sought before any Installation work commences.

The manufacturer, its employees and distributors, accept no liability for any loss or damage including consequential damage due to reliance on any material contained in this handbook.

The manufacturer, its employees and distributors, accept no liability for GSM Network upgrading or SIMCard upgrading due to the technology specifications contained in this handbook.

SMS Command List

SMS COMMAND	Functions & Actions	
AA	To arm the GSM Dialer, in this mode, any detector triggered will alarm.	
BB	To disarm the GSM Dialer, in this mode, detector triggered will not alarm.	
CC	To switch on the siren.(The function available after 2014-03-15)	
DD	To switch off the siren. (The function available after 2014-03-15)	
EE	Inquiry the RTU5012 Status and GSM Module IMEI Code.	

***The commands should plus Password, the format is Password+SMS Command. i.e.: if the password is 1234, then you can send 1234AA to arm, 1234BB to disarm, the AA-EE must be Caps Lock.**



GSM SMS Voice Alarm Dialer GSM Power Monitoring Alarm

1. Brief introduction

The GSM Dialer is an Ultra Version of GSM Alarm, includes multi-functions and ultra low cost and high reliability special for Residential areas, business area, commercial area, office, factory, industrial area and other Varsity applications. It integrated high performance GSM Module and MCU inside, and with innovative and experienced functions and features to meet the required and potential demands in the worldwide markets.

The user can receive SMS Text and calling from the GSM Dialer once the alarm occurrence immediately. Also, remotely switch the GSM Dialer to arm or disarm with free call from mobile phone, or remotely call in the GSM Dialer to listen in on-site, or send SMS Command to request the GSM Dialer call back.

The GSM Dialer equips 1 wired inputs for IP Camera Alarm Output, other alarm panel output to transfer alarm message by SMS over GSM Network.

The GSM Dialer inbuilt power detection circuit, no need any other detector or sensor to monitoring the external power directly. Once external power goes off or goes on, the GSM Dialer can send SMS or dial upto 6 authorized mobile phones.

2. Safety Directions



Safe Startup

Do not use GSM Dialer when using GSM equipment is prohibited or might bring disturbance or danger.



Interference

All wireless equipment might interfere network signals of GSM Dialer and influence its performance.



Avoid Use at Gas Station

Do not use GSM Dialer at a gas station. Power off GSM Dialer when it near fuels or chemicals.



Power it off near Blasting Places

Please follow relevant restrictive regulations. Avoid using the device in blasting places.



Reasonable Use

Please install the product at suitable places as described in the product documentation. Avoid signal shielded by covering the mainframe.



GSM SMS Voice Alarm Dialer GSM Power Monitoring Alarm



Use Qualified Maintenance Service

Maintenance can be carried out only by qualified maintainer.

3. Standard Packing List

GSM DialerX1
User Manual X1

Optional Accessories: (Wired detectors)

PIR Motion Sensor, Glass Break Sensor, Magnetic Window Sensor, Temperature Sensor, Infrared Beam Fence, Vibration sensor, AC power status detectors.

4. Mainly Features

- ✓ Supports Away Armed, Partial Armed(At House or Stay) or Disarmed by SMS Commands, Call in with free charge;
- ✓ Supports 6 Authorized Numbers, each number can be setup as receive SMS or receive call or both of them, also, each number can be setup authorized to call in to arm or stay the system;
- ✓ Automatically send SMS Alert Alarm Message and dial to the authorized numbers when alarm occurrence;
- ✓ Supports 1 wired zones(Dry Contact Type), the input can be Normal Close(NC), Normal Open(NO), special for IP Camera alarm output or other wired sensor connection;
- ✓ Supports verity programmable zone attributes, includes Away(normal), At House or Stay, Entrance Zone, 24 Hours Sound Zone, 24 Hours Silent Zone, Local Zone, SOS Zone, Door Bell Zone;
- ✓ The SMS Alarm Content of the digital input is programmable by user through SMS Commands;
- ✓ Supports Armed delay to give enough time to leave the home, the delay time is programmable by user;
- ✓ Supports Alarm Delay to give enough time to Disarm it when you come back home, the delay time is programmable by user;
- ✓ Equips one siren output for sounding while alarm occurrence to warning;
- ✓ Equips one Microphone inside, the authorized number can call in to listen onsite or request it call back.
- ✓ The external AC power failure & recovery alert function supports 2 optional: Immediately Send SMS to user, after 30 minutes if not recovery then send SMS to user;



GSM SMS Voice Alarm Dialer GSM Power Monitoring Alarm

- ✓ Standby internal large capacity rechargeable battery which can standby upto 8hours after AC Power failure, also can provide power to wired siren after AC power failure;
- ✓ Secure - Using caller ID for identification, unknown callers are ignored;
- ✓ Supports Password to increase the security of the whole system;
- ✓ Based on the GSM communication network, no distance limitation.

5. Installation and Connection Diagram

Tips:

- The backup battery was disconnected, please contact it firstly according to 5.6.
- After switched on the GSM Dialer, will indicate by a long Di sound, all zones' LED will turn on once, and the zones which registered wireless sensors, wireless remote control or wireless buttons will turn on once more.

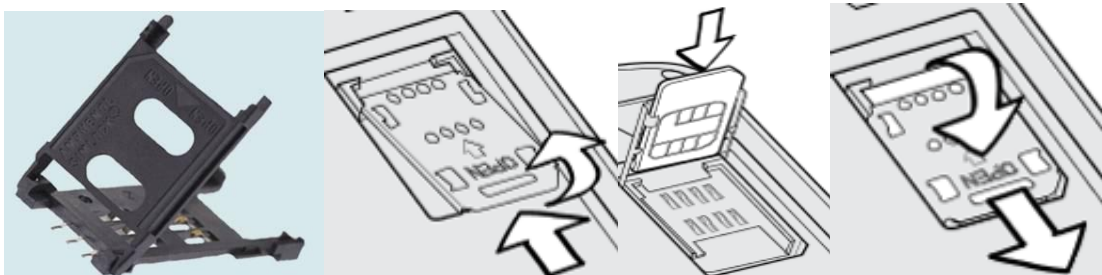
In the backside of the GSM Dialer, please remove all of the 3 screws, and take the back cover off, then you can see the PCB. See below:



5.1 Inserting the SIMCard

Important: Make sure to switch off GSM Dialer before inserting or removing your SIM card.

- Slide the SIM card holder in the direction of "OPEN" (etched on the SIM card holder), and then flip it open.



- Insert the SIM card with its gold contacts facing down and its cut-off corner facing out the SIM card slot. See above photo.

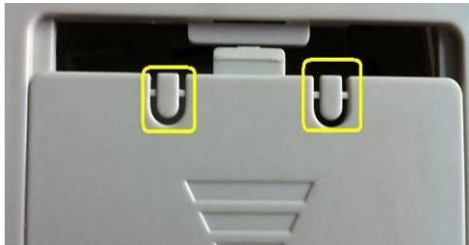


GSM SMS Voice Alarm Dialer GSM Power Monitoring Alarm

- Slide the SIM card completely into the slot. Make sure the SIM card goes through the 2 “guides” on the SIM card slot.
- Close the SIM card holder and then slide it in the opposite direction of “OPEN” to lock it. See above photo.

5.2 Making the Outlets for wires

The GSM Dialer reserved 4 outlets for wires at backside outlets and bottom outlets. The user can choose the suitable one for different installation requirements. Please use a knife or other tool to remove the obstacle plastics. Usually, the siren and power supply wires were in one outlets, and the signal control wires in another outlet to avoid the interference.



Backside Wires Outlet



Bottom Wires Outlet

5.3 Contacting the Wired Sensor or IP Camera or Other Alarm Panel to the GSM Dialer

The GSM Dialer equips one dry contact (Normal Close or Normal Open type) digital input port, the user can connect the IP Camera or CCTV DVR or wired detector or other alarm panel to this port. When the digital input triggered by IP Camera or CCTV DVR or wired detectors or other alarm panel, it will alarm.

1) Contacting the wired Detector to GSM Dialer

The wired detector has two connectors, please contact one of them to the DIN port, another contact to the GND port. And setup the Digital input be the correct NC or NO type by SMS Commands. (Tips: if you don't know the NC or NO type of the Detector, please try to change the setting to NC or NO type by SMS Commands to after you finished connections.)



Wired Scroll Door Contact

If you need to contact more than one wired to the GSM Dialer, please ensure all of the wired detectors are the same output type (Normal Close or Normal Open Types), any one of these detectors triggered, the GSM Dialer will alarm.



GSM SMS Voice Alarm Dialer GSM Power Monitoring Alarm

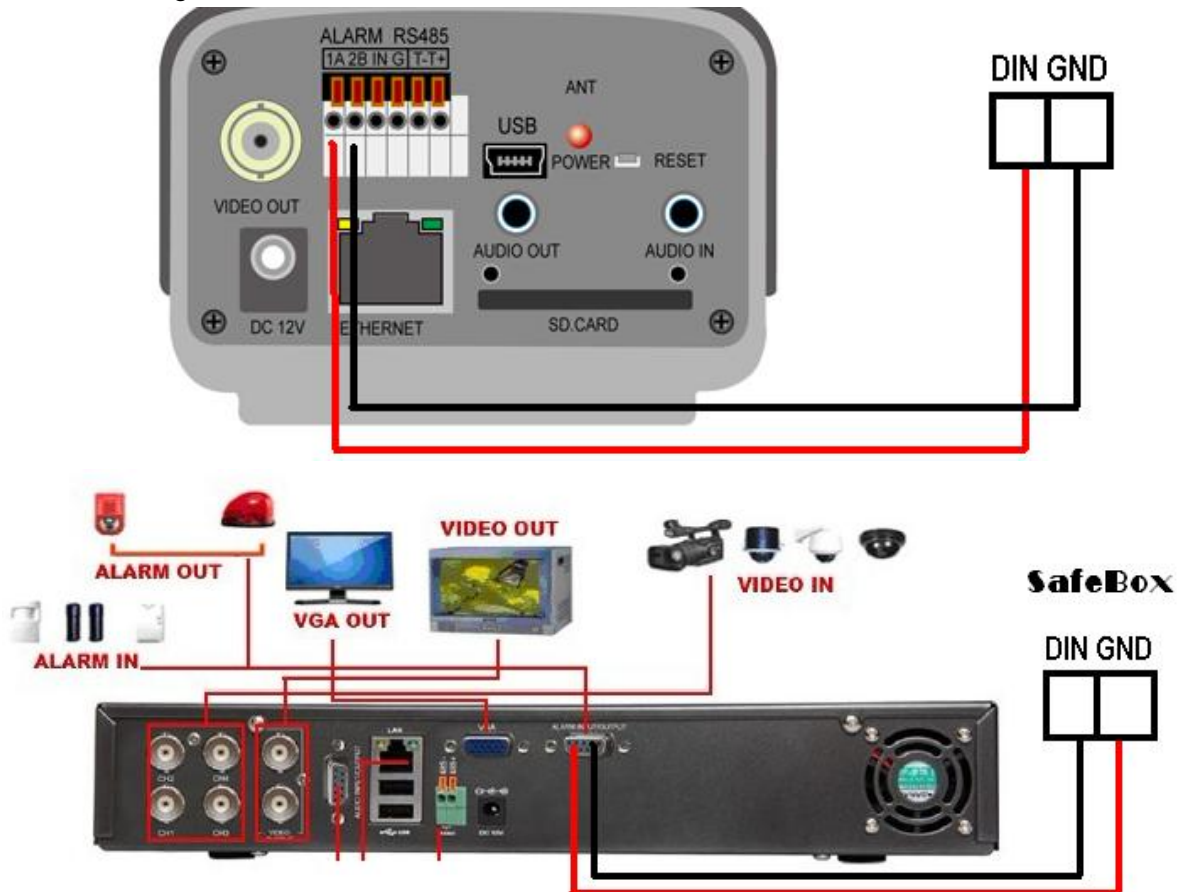
If the wired detectors are NC type, then the connection must be in series, see below:



if the wired detectors are NO type, then the connection must be in parallel, see above.

2) Contacting the IP Camera or CCTV DVR to GSM Dialer

The user can connect the IP Camera or CCTV DVR Alarm Output to the GSM Dialer's digital input as a wired detector, once the IP camera detected intrusion or CCTV DVR alarming, the GSM Dialer will send SMS to the preset numbers and dial the preset number and make sounds by the siren. This is very useful for lots of application that need IP Camera and Alarm immediately by SMS or Dialing. The connection is below:





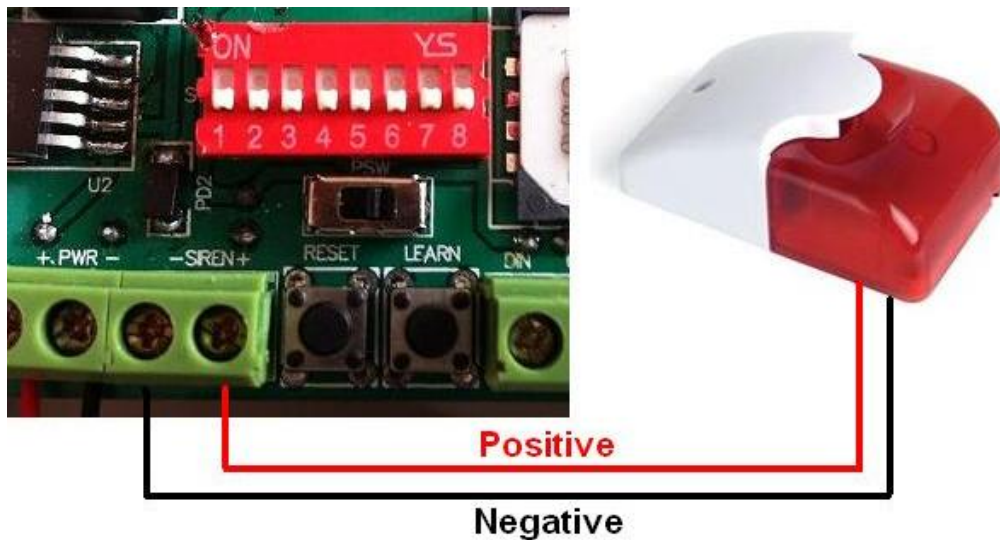
GSM SMS Voice Alarm Dialer GSM Power Monitoring Alarm

3) Contacting the other alarm panel output to GSM Dialer

The user can connect the other Alarm panel's digital output to the GSM Dialer's Digital Input as a wired detector, so the user can update its alarm panel as GSM SMS Alarm. The connection please reference the DVR or IP Camera.

5.4 Contacting the Siren, hooter

The user can connect one 9~12V rated siren, or hooter to the GSM Dialer's siren output, once alarm occurrence, this output ports will start the siren or hooter to make sounds. The positive of the siren connect to the Siren+ port, and the negative of the siren contact to the Siren – port. Generally, the siren wire marked red color and black color, the red color is positive and the black color wire is negative. See below:



5.5 Contacting the Rechargeable Backup Battery

The GSM Dialer equips one rechargeable backup lithium battery that can power on the GSM Dialer for about 8hours while AC Power goes off. The GSM Dialer will automatically detect the voltage of the battery, once the voltage lower will charge it automatically. If you are not use the GSM Dialer for lone time, please remember to disconnect the backup battery. Please install the battery connector to the socket, please see below:



Notice: Must open the backside cover then you can contact the battery. Once the backup battery turn over, the GSM Dialer cannot work properly, please contact the external 12VDC to charge it firstly. If you want to replace the battery by a new one, please note the specification of the backup battery is: 3.7V lithium battery 900~ 1200mA. If long time not use the GSM Dialer, please disconnect the backup battery to save its lifetime.



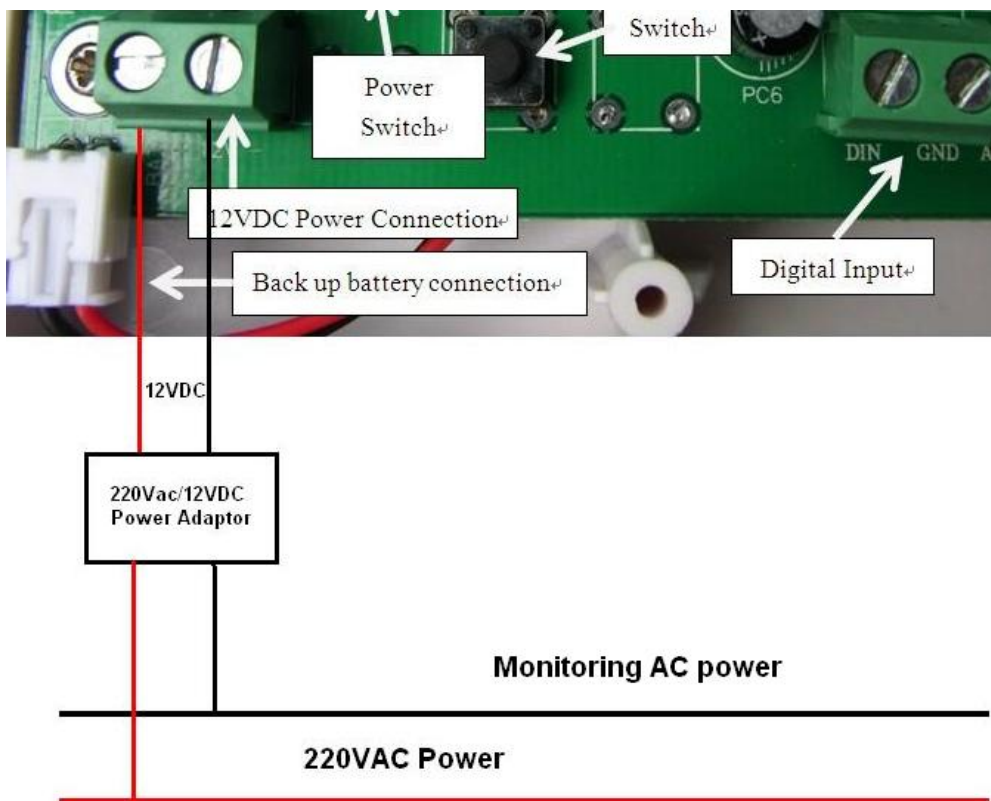
GSM SMS Voice Alarm Dialer GSM Power Monitoring Alarm

5.6 Contacting the External GSM Antenna

The GSM Dialer equips internal GSM Antenna, usually the GSM Signal is enough to register gsm network properly. But if the GSM signal is not enough, please replace it by external GSM Antenna from your distributors or agents. Or take the external GSM Antenna and its connectors to ask any electronic engineer to replace it, please don't replace it by yourself, otherwise will damage the GSM Dialer, the enclosure reserved one hole at the top side, please remove it and fix the external GSM Antenna through this hole.

5.7 Contacting the AC/DC Power Supply

Please contact the +12VDC to the GSM Dialer, the Positive of the +12VDC connect to the PWR+, the negative of the 12VDC please contact to PWR - . Generally, the red color from the AC/DC Adaptor is Positive, and the black color is negative. The AC/DC Adaptor is 12V1A or 12V2A. see below:



5.8 Switching on/off the GSM Dialer

After finished all of the connections, please plug the AC/DC Adaptor to external AC Power socket, and switch the PSW Switch to ON side to switch on the GSM Dialer. See below:



5.9 Mounting the GSM Dialer



GSM SMS Voice Alarm Dialer GSM Power Monitoring Alarm

The GSM Dialer should be installed in a place where the intruders cannot discover it. And the GSM Signal covered well. Also, the user can see the LED easily to know what happened and what is the status of the GSM Dialer.

5.10 Reset the GSM Dialer to Factory Default

The GSM Dialer can be reset to the factory default by following operation: Switch off the GSM Dialer, then press the Reset Button (See below), Switch on the GSM Dialer, about 3Seconds later, the GSM Dialer will make "Di Di" 2 sounds, then loose the RESET button, means the reset operation successful. **And please restart the GSM Dialer.**



After this operation, all the registered wireless detectors and wireless panic buttons and Remote Controls will be removed from the GSM Dialer, and all of the settings will be reset to the factory default.

6. Settings

The GSM Dialer is an advanced multifunctional programmable controller. The user can program it by SMS Commands for various application requirements.

Notice:

1. The default Password is **1234**.
2. All the settings are through SMS commands, please edit the below SMS commands in your cell phone, then send to the GSM Dialer. (Tips: The GSM Dialer cannot support PIN Code Protected SIMCard. Please ensure you have disabled the PIN Code of the SIMCard, otherwise can not register GSM Network successful.)
3. You can program the GSM Alarm & Dialer GSM Dialer with SMS commands using your phone. It is safe to do so because in addition to the fact that other people may not know the number of the SIM inserted in it, we also use a Password that makes it impossible for anybody, who doesn't know it, to access the system by chance.
4. Remember that commands must be **CAPITAL LETTERS**. It is PWD not pwd, CAP not Cap etc. Don't add spaces or any other character.
5. The **pwd** in the commands is means the password, when you use it, please in stand of it by the digital number.
6. In some GSM operators, they use different SMS parameter, the units can't return the SMS confirmation is normally. It is not product problem. Also, you can try to add the country code before the number, because of every GSM Operator will automatically plus the country code while send SMS or receive SMS or dialing, the format is not the same for dial and SMS. if some functions can not work, then please setup include country code or remove country code for



GSM SMS Voice Alarm Dialer GSM Power Monitoring Alarm

different functions. see the below settings:

For example:

In China, the country code is **0086**, or **+86**.

The user cell phone number is **13500001111** and has been assigned as a SMS Alert number, the simcard number in the panel is **13512345678**.

Problem 1: Alarm but the user hasn't received the SMS Alert.

Solution: Please plus the country code while you setup the 13500001111 as SMS Alert number, means setup **008613500001111** or **8613500001111** to instead of the **13500001111**.

Problem 2: The user number can receive the SMS Alert message from alarm panel, but the alarm panel can not receive the commands from the user number.

Solution: Please add country code to the simcard number in the alarm panel. Means send sms commands to **008613512345678** or **8613512345678** to instead of **13512345678**.

Solution 3: When you use cell phone dial another one, what number it will be displayed then you can set the displayed number as dial numbers; when you use cell phone send SMS to another cell phone, what number it will be displayed then you can set the displayed number as SMS Alert number, just use the 00 to replace the "+", also, you can try the "+".

7. If the command is incorrect, the GSM Dialer will return: **SMS Format Error, Please check Caps Lock in Command!** Or other warning message. So please check the Command, or check the input is in ENGLISH INPUT METHOD and CAPS LOCK. If the password incorrect will not return any SMS.
8. If more than 2 minutes the GSM Simcard still register the GSM Network failure, the buzzer will make "Di" once, and every 10 seconds detects the SIMCARD registering status and failure will alert by "Di" once till restart or switch off.
9. If the communication between the MCU and GSM Module failure, the buzzer will make "DiDi" twice to warning every 10 seconds till switch off or restart.
10. If detect the GSM Dialer hasn't inserted SIMCard, the Buzzer will only make once di sound to alert. And will not detect the SIMCard again.
11. When alarm occurrence and in the delay alarm time, the buzzer will alert by "DiDi" sounds, once the delay timeout the buzzer will stop to sound.
12. Reset the GSM Dialer will alert by a 2seconds "Di" sound by the buzzer.
13. After you **reset** please remember to **restart** it, otherwise, can not work properly.
14. The SMS commands that you will certainly use in the GSM Alarm & Dialer GSM Dialer are the following:

6.1 Setup New Password

pwd+P+newpassword

if successful, the unit will return: **new password, This is the New Password, please remember it carefully.** The password is 4digits.

For example, the original password is 1234, you want change it to 6666, then you can send the command below: **1234P6666**



GSM SMS Voice Alarm Dialer GSM Power Monitoring Alarm

6.2 Setup Authorized number(If you GSM Operator use different number format for SMS and Dial out, then please see Notice 6, must setup as includes country code and not includes country code two formats.)

Pwd+Serial Number+A+Function 1 Code+#+Function 2 code+#+Telephone Number+#

Pwd is the password, default is 1234.

Serial Number = 1~6.

A is the identification character of this command.

Function 1 Code =1,2,3. It is for alarm receiving attribute setting.

=1 stands for when alarm occurrence, the GSM Dialer will dial as well as send SMS to this number. (The SMS Number Format must be the Same as the Dial Number Format, include or not includes Country code.)

=2 stands for when alarm occurrence, the GSM Dialer only send alarm SMS to this number, doesn't dial.

=3 stands for when alarm occurrence, the GSM Dialer only dial this number, doesn't sends SMS.

Function 2 Code =1,2,3. It is for accessing GSM Dialer attribute setting. **(For monitoring Power function, please set the function 2 code =3)**

=1 stands for when this number dial to the GSM Dialer, will be rejected after the first ring, meanwhile, the GSM Dialer will be changed to Stay Mode and not return SMS. This is very useful when the user come back home or office to change the GSM Dialer to Stay mode with a FREE call from its mobile phone! When the user leave the home or store or office, dial the GSM Dialer again, the GSM Dialer will be changed to away armed mode and return SMS: **Armed** to ensure the armed operation is successful.

Tips: When any number with this value call in the GSM Dialer, the GSM Dialer will change from Stay to Armed or Armed to Stay, if the GSM Dialer in Disarmed mode, then the first time call in will change the GSM Dialer to Stay mode.

=2 stands for when this number dial to the GSM Dialer, will be picked up automatically and enter into listen mode, the user can listen on-site sounds or noise immediately through the GSM Dialer's microphone. **(This function available after 2014-03-15)**

=3 stands for this number cannot access the GSM Dialer by dial in, will be hang up. Nor listen neither change to Stay or Arm Mode.

Telephone Number: authorized number, max. 18 characters,

E.g.: if you want to setup 13512345678 as the third authorized number, and the password is 1234, country code is 0086, when alarm occurrence this number can receive both SMS and incoming from the GSM Dialer, when dial to the GSM Dialer from this number, will refuse. Then you can send

12343A1#3#008613512345678# to the GSM Dialer. Will return:

Tel1: Empty

Tel2: Empty

Tel3: 008613512345678-1-1 -1-1 stands for function 1 code =1 and function 2 code =1 value.

Tel4: Empty

Tel5: Empty

Tel6: Empty

6.3 Inquiry the Authorized number

pwd+A+#



GSM SMS Voice Alarm Dialer GSM Power Monitoring Alarm

After received this command, the GSM Dialer will return the SMS as abovementioned.

E.g.: If you want to know the authorized number list, and the password is 1234, then you can send `1234A#` to check it.

6.4 Remove the Authorized Number

`pwd+Serialnumber+A+#`

Please overwrite it with another number that you wish to change it or removed it by SMS Command.

6.5 Modify the wired zone dry contact digital input type (Default is NC)

`pwd+NC+#`

Modify the digital input to NC (Normal Close) type, if the sensor you used with this unit is NC, then you should set the unit as NC type. will return : `Zone00 NC`.

`Pwd+NO+#`

Modify the digital input to NO (Normal Open) type, if the sensor you used with this unit is NO, then you should set the unit as NO type. will return: `Zone00 NO`.

6.6 Modify the SMS Alarm Content

`pwd+B+ZoneNumber+# +SMS Alarm Content+#`

If setup successful, will return the SMS Alarm Content.

B is the identification character of this command.

Zone Number=00, 00 stands for the wired zone.

SMS Alarm Content: When alarm occurrence, the GSM Dialer will send the SMS Alarm Content to the authorized numbers by SMS. Max. 40 characters. can not be empty, otherwise the GSM Dialer will return :

`SMS Alarm Content cannot be set as empty!`

E.g.: if you want to receive SMS Alarm content of the wireless zone 00 is intruder breaking the windows, and password is 1234, then you can send SMS `1234B00#intruder breaking the windows#`.

6.7 Inquiry the SMS Alarm Content Setting

`pwd+B+00+#`

If setup successful, will return the zone number's SMS Alarm Content. eg.: `1234B00#`.

6.8 Setup the Zone Attribute

`pwd+D+Zonenummer+#+Attribute Code+#`

If setup successful, will return the zone number's Attribute code.

D is the identification character of this command.

Zone Number=00, 00 stands for the wired zone.

Attribute Code=0~9, stands for how does the GSM Dialer will performance when this zone activated.

=0, stands for entrance, when armed the GSM Dialer, this zone will delay 30 seconds to enter into Armed mode, for leaving the home or office. When come back the home or office, will delay 20 seconds to alarm in order to the user can change it to Stay or Disarm the GSM Dialer.



GSM SMS Voice Alarm Dialer GSM Power Monitoring Alarm

- =1, stands for outer zones , in Armed or Stay mode, when triggered will cause alarm.
- =2, stands for inner zones, in Stay mode if triggered will not cause alarm; in Armed mode, if triggered will cause alarm.
- =3, stands for spot alarm zone, in Stay mode if triggered only cause the siren to sound. Neither dial out nor send SMS out; in Armed mode if triggered will cause alarm.
- =4, stands for 24hours emergency zone with sounds. In any mode if triggered will cause alarm immediately with siren sounds.
- =5, stands for 24hours emergency silent zone. In any mode if triggered will cause alarm immediately, the siren will not sound.
- =6, stands for Armed Button, triggered it to make the GSM Dialer change to Arm Mode.
- =7, stands for Stay Button, triggered it to make the GSM Dialer change to Stay Mode.
- =8, stands for Disarm Button, triggered it to make the GSM Dialer change to Disarm mode.
- =9, stands for door bell button, triggered it to cause the buzzer to sound 8times.

Tips:

- 1) When the attribute code setup as 6,7,8,9, the siren will not sound.
- 2) e.g.: if want to setup the attributes of wired zone as =5, stands for 24hours emergency silent zone, the password is 1234, then please send **1234D00#5#**

6.9 Setup the Siren Sound time(Default is 180seconds)

pwd+E+xxx+#

If setup successful, will return **Siren ON + xxx + Seconds**

E is the identification character of this command.

Xxx=000~999, unit is second, 3 digits. Default is 180 seconds.

E,g,: if you want to setup the siren sound 60seonds when alarm occurrence, and password is 1234, then please send **1234E060#**

Tips:

Only the zone attribute code setup as 0,1,2,3,4 will cause the siren sound while alarm occurrence. And the siren will sound about 20 seconds then interrupt about 2 seconds,

6.10 Setup the Alarm Delay Time(Default is 000second)

pwd+F+xxx+#

If setup successful, will return **Alarm Delay + xxx + Seconds**

F is the identification character of this command.

Xxx=000~999, unit is second, 3digits. Default is 000 second.

Tips: *Only the zone attribute code setup as 1,2,3 will delay to cause alarm while alarm occurrence.*

6.11 Setup the Arm Delay Time(Default is 30seconds)

pwd+G+xx+#

If setup successful, will return **Armed Delay + xx + Seconds**

G is the identification character of this command.

Xxx=00~99, unit is second, 2digits. Default is 30 seconds.

Tips:



GSM SMS Voice Alarm Dialer GSM Power Monitoring Alarm

- 1) Only the zone attribute code setup as 1,2,3 will delay to enter into Arm mode when Arm the GSM Dialer;
- 2) If Armed the GSM Dialer by remote control, after press the Armed Button, and press its SOS button within 2 Seconds the GSM Dialer will enter into Armed Mode immediately, will not delay.

6.12 Enable to Alert the first Authorized Number when other number armed or disarmed the GSM Dialer(Default is Disable)

pwd+H+#

If setup successful, will return **Send Operation Code to 1st Number**

H is the identification character of this command.

Tips: If enable this function, when the Authorized Number that Function 2 Code=1 (can dial in to change the status from Stay to Arm) call in the GSM Dialer, will send SMS to the 1st Authorized Number. If any other number armed or disarmed the GSM Dialer, it will send SMS to the 1st Authorized number. The SMS content is **Armed By + Telephone number** or **Disarmed by +Telephone number.**

Disable this function SMS Command is **pwd+J+#**

6.13 Required the GSM Dialer callback(This function available after 2014-03-15)

pwd+K+#

If send successful, the GSM Dialer will call back the user immediately. It is special for the Authorized Number that Function 2 Code=1 (can dial in to change the status from Stay to Arm) to listen on-site.

6.14 Setup External Power Status Alert Feature(Default is 30 minutes)

pwd+M+xx+#

If send successful, will return SMS.

M is the identification character of this command.

Xx= 00~99. Default is 30. Unit is minute

Xx=00, stands for when external AC Power goes off will send SMS **AC Power Goes off** to all authorized numbers or send SMS **AC Power Goes ON** when AC Power goes on. If setup successful, will return **AC Power Goes off Send SMS Immediately.**

Xx=01~99, stands for when external AC Power goes off more than 01~99 minutes will send SMS **AC Power Goes off 01~99minutes** to all authorized numbers or send SMS **AC Power Goes ON** when AC Power goes on. If the AC Power goes off less than 01~99 minutes then goes on, will not send SMS. If setup successful, will return **AC Power Goes off Send SMS After 01~99minutes.**

6.15 Setup Siren Response Feature to Arm Operation

pwd+xx+#

return SMS.

Xx= ON or xx=OFF. Default is off.

Xx=ON, stands for when armed the GSM Dialer by remote control successful, the siren will sound 2seconds. If setup successful, will return **Set Ok.**

Xx=OFF, stands for when armed the GSM Dialer by remote control successful, the siren will NOT sound. If setup successful, will return **Set Ok.**

Tips: if armed or disarmed by phone call or SMS, the siren will not make sounds to response.

6.16 Setup Automatically report Status function



GSM SMS Voice Alarm Dialer GSM Power Monitoring Alarm

pwd+T+xx+#

XX=00~99, unit is hour, stands for the interval time to report the GSM Dialer status to the first SMS Alert Number. default is 00, means disable report function. If no SMS number, this function will be invalid. The return SMS is the same as by **7.4 Inquiry Status and GSM Module IMEI Code**

7. Operating Instructions

Tips!

1. The user can arm/disarm/Stay (Partial armed) by Dial in, and, SMS, Another, the user can switch on or off the Siren by SMS Commands.
2. Mode explanation
 - Armed: Away, In this mode, any detector triggered will cause alarm. It be used for away the home and need to protect all of the home or office or store,etc.
 - Stay: Partial armed, at home, in this mode, only the outer zones and emergency zones triggered will cause alarm, the inner zone triggered will not cause alarm. It be used for partial armed, e.g.: some people at home, and need to monitoring the outer security.
 - Disarmed: Except the 24 Hours emergency zones triggered will cause alarm, all of the other zones triggered will not cause alarm. Usually for maintain or other special requirements.
3. Alarm Occurrence
 - 1) When alarm occurrence, the GSM Dialer will send out Alarm SMS Content firstly, then automatically dial the authorized numbers one by one, if picked up the call, the GSM Dialer will stop to sound and enter to listen mode, can not speak. If nobody picked up or rejected, the GSM Dialer will dial all of the authorized numbers 3 times in cycle then stop to dial any more. Meanwhile, the GSM Dialer will enter to previous status.
 - 2) Only the zone attribute code setup as 0,1,2,3,4 will cause the siren sound while alarm occurrence. And the siren will sound about 20 seconds then interrupt about 2 seconds, the time according to the setting.
 - 3) Once any zone triggered, the corresponding LED will always on till Disarm or Restart the GSM Dialer.

7.1 Armed or Stay WITH a FREE call from authorized phone!

The GSM Dialer supports armed or Stay by a free call from authorized phone, after you setup the authorized number Function 2 Code as 1, then the user can use this phone number to Arm or Stay the GSM Dialer by free charge call in. Please reference **6.2 Setup Authorized Number** to setup it.

When the GSM Dialer in **Disarmed** mode, any number with the authorized right call in will change it to Stay mode;

When the GSM Dialer in **Stay** Mode, any number with the authorized right call in will change it to Armed(Away) mode, and return SMS confirmation **Armed**.

When the GSM Dialer in **Armed(Away)** Mode, any number with the authorized right call in will change it to Stay Mode.

This function is very useful while you leave or come back home.

7.2 SMS Commands for Arm(Away) or Disarm or Switch On/Off Siren.

The User can Arm/Disarm/Switch on or off the siren by sending SMS to the GSM Dialer. The SMS Commands are below:

Notice:

The system will carry out the commands immediately (with no delay) after the GSM Dialer receive this SMS command.

7.2.1 Armed(Away)



GSM SMS Voice Alarm Dialer GSM Power Monitoring Alarm

xxxxAA
"xxxx" stands for the password
(4 digits).
Return SMS
Armed

Example
1234AA

When the Password is 1234

7.2.2 Disarm

xxxxBB
"xxxx" stands for the password
(digits).
Return SMS
Disarmed

Example
1111BB

When the Password is 1111

7.2.3 Switch On the Siren

xxxxCC
"xxxx" stands for the password
(4 digits).
Return SMS
Siren ON.

Example
1111CC

When the Password is 1111

7.2.4 Switch OFF the Siren

xxxxDD
"xxxx" stands for the password
(4 digits).
Return SMS
Siren OFF.

Example
1111DD

When the Password is 1111

7.3 Inquiry Status and GSM Module IMEI Code

xxxxEE
"xxxx" stands for the password (4 digits).
Return SMS
Armed or Disarmed
AC Power ON or AC Power off.
GSM Value is 17 or other value
IMEI Code: xxxxxxxxxxxxxxxxxx

7.4 iOS App and Android Apps Instructions

The user can operate the GSM Dialer by Android Apps and iOS. Both of them are free charge. For Android Apps, please download from our official website, and download the iKeyPad from Apple Store. The interface of these tools please see below.



GSM SMS Voice Alarm Dialer GSM Power Monitoring Alarm



8. Technical specifications

Rated Voltage: 12VDC 2 A (12V~14VDC)

Standby Consumption: 30~35mA (Not charging battery)

Working Consumption: 400mA(Siren working)

Working temperature: -10°C~+60°C

Storage temperature: -20°C~+60°C

Relative humidity: 10-90%, No condensation

GSM frequency: 900/1800MHz(Default) or 850/1900Mhz (Optional)

Communication protocol: GSM PHASE 2/2+ (include data service)

Wired Zones: 1 (Dry Contact, NC or NO)

Backup Rechargeable Battery: 3.7V@900~1200mAH lithium batteries

Net Weight: 0.50Kg

9. Maintenance

- 1) In case of failure, please contact the distributor or manufacturer.
- 2) If the remote control works, but the GSM Dialer fails to send SMS texts, switch the power of GSM Dialer off and switch it on after one minute. Test this system after another minute, or check the settings are correct and the GSM Signals are strong enough.
- 3) If the GSM Dialer can run and sensors work, but cannot send SMS texts, please change SIM Card to check it.
- 4) If the problem cannot be solved, please contact the distributor or manufacturer.

10. Warranty

- 1) This system is warranted to be free of defects in material and workmanship for one year.
- 2) This warranty does not extend to any defect, malfunction or failure caused by abuse or misuse by the Operating Instructions. In no event shall the manufacturer be liable for any alarm system altered by purchasers.

11. Affix Table

Table 1. GSM Dialer Installation Schedule

Before install the GSM Dialer, please write down the installation plan firstly, it is very useful for saving your test and installation time. After installed successful, then tear down this Schedule for review in further.



GSM SMS Voice Alarm Dialer GSM Power Monitoring Alarm

GSM Dialer Authorized Number Schedule

SIMCard Number in the GSM Dialer: _____

Serial Number	User Name	Phone Number	Authorized Type					
			Alert when Alarm Occurrence			Access the GSM Dialer		
			SMS&Call	SMS	Call	Stay/Arm	listen	Refuse
1								
2								
3								
4								
5								
6								

Notice: Please mark V if for enable and X for disable.

Table 2. GSM Dialer Program and Operation SMS Command List

GSM Dialer SMS Command List(Caps Lock)			
S.N.	Function Description	SMS Command Format	Example
1	Arm(Away)	pwd+AA	1234AA (Password is 1234)
2	Disarm	pwd+BB	1234BB (Password is 1234)
3	Switch On The Siren	pwd+CC	1234CC (Password is 1234)
4	Switch OFF the Siren	pwd+DD	1234DD (Password is 1234)
5	Inquiry Status,GSM Signal, IMEI	pwd+EE	1234EE (Password is 1234)
6	Setup New Password	pwd+P+newpassword+#	1234P6666.
7	Setup Authorized number	pwd+Serial Number+A+Function 1 Code+++Function 2 code#Telephone Number+#	[See 6.2]
8	Inquiry the Authorized number	pwd+A+#	
9	Remove Authorized Number	pwd+SerialNumber+A+#	
10	Modify wired zone type as NC	pwd+NC+#	Default is NC
11	Modify wired zone type as NO	pwd+NO+#	
12	Modify the SMS Alarm Content	pwd+B+ZoneNumber+++ SMS Alarm Content+#	1234B00#intruder breaking the windows#
13	Inquiry the SMS Alarm Content	pwd+B+Zonenumber+#	1234B00#
14	Setup the Zone Attribute	pwd+D+00+++Attribute Code+#	[See 6.8]
15	Setup the Siren Sound time	pwd+E+xxx+#	1234E060#,(Default:180S)
16	Setup the Alarm Delay Time	pwd+F+xxx+#	1234F999#,(Default:000S)
17	Setup the Arm Delay Time	pwd+G+xx+#	1234G09#,(Default: 30S)
18	Enable Alert the 1 st Authorized No.	pwd+H+#	
19	Disable Alert the 1 st Authorized No.	pwd+J+#	Default
20	Required to callback	pwd+K+#	



GSM SMS Voice Alarm Dialer GSM Power Monitoring Alarm

21	AC Power Goes OFF Alert at once	pwd+M+00+#	
22	AC Power Goes OFF Alert after 01~99 minutes	pwd+M+xx+#	Default is 30minutes
23	Siren Response to Arm Operation	pwd+ON+#	Default
24	Siren NOT Response to Arm Operation	pwd+OFF+#	
25	Automatically report Status function	pwd+T+xx+#	00~99hours,default is 00, means disabled.

The End!