

# **ZANUSSI**

## **REFRIGERATOR ZCR135R**

INSTRUCTION BOOKLET

# Important Safety Instructions



**These warnings are provided in the interests of your safety.** Ensure that you understand them all before installing or using the appliance. Your safety is of paramount importance. If you are unsure about any of the meanings or warnings contact the Customer Care Department.

Keep the instruction booklet. It will come in handy if you later sell the cabinet or give it to somebody else.

## Prior to Installation

- Check the appliance for transport damage. Under no circumstances should a damaged appliance be installed. In the event of damage please contact your retailer.

## Installation

- This appliance is heavy. Care should be taken when moving it.
- It is dangerous to alter the specifications or attempt to modify this product in any way.
- Ensure that the appliance does not stand on the electrical supply cable. If the supply cable is damaged, it must be replaced by a cable available from your local Service Force Centre.
- Any electrical work required to install this appliance should be carried out by a qualified electrician or competent person.
- Parts which heat up should not be exposed. Whenever possible, the back of the appliance should be close to a wall, but leaving the required distance for ventilation, as stated in the installation instructions.  
The appliance should be left for 2 hours after installation before it is turned on, in order to allow the refrigerant to settle.

## Child Safety

- Do not allow children to tamper with the controls or play with the product.
- There is a risk of suffocation! Keep packaging material away from children.

## During Use

- This appliance is designed for domestic use only, specifically for the storage of edible foodstuffs only.  
It is not intended for commercial or industrial use.
- Containers with flammable gases or liquids can leak at low temperatures. Do not store any

containers with flammable materials, such as spray cans, fire extinguisher refill cartridges etc. in the refrigerator or freezer.

## Maintenance and Cleaning

- Before cleaning, always switch off the appliance and disconnect from the electrical supply
- When unplugging always pull the plug from the mains socket, do not pull on the cable.

## Servicing

- This product should be serviced by an authorised engineer and only genuine spare parts should be used.
- Under no circumstances should you attempt to repair the appliance yourself. Repairs carried out by inexperienced persons may cause injury or serious malfunctioning. Contact your local Service Force Centre.

## At the end of the Appliance Life

- When disposing of your appliance use an authorised disposal site.
- Remove the plug and ensure that any locks or catches are removed, to prevent young children being trapped inside.
- Do not let sharp objects come into contact with the refrigerating system on the back of and inside the cabinet. If the refrigerating system is punctured, the cabinet will be damaged and foodstuff inside may spoil.  
If the refrigerant circuit should become damaged:  
avoid open flames and sources of ignition  
thoroughly ventilate the room in which the appliance is situated  
The refrigerant isobutane (R600a) is contained within the refrigerant circuit of the appliance, a natural gas with a high level of environmental compatibility, which is nevertheless flammable.

## Instructions for the user

<b>Important Safety Instructions</b> .....	<b>2</b>
<b>Contents</b> .....	<b>3</b>
<b>Description of the Appliance</b> .....	<b>4</b>
Control Panel .....	4
<b>Use</b> .....	<b>4</b>
To start the fridge and thermostat control .....	5
Measuring the temperature .....	6
Switching off .....	6
Cabinet interior .....	6
<b>Hints and Tips</b> .....	<b>7</b>
Normal Operating Sounds .....	7
Food Storage .....	7
Energy Saving Advice .....	7
<b>Maintenance and Cleaning</b> .....	<b>7</b>
Removing the ventilation grille .....	7
Internal Cleaning .....	7

External Cleaning .....	8
Defrosting the fridge .....	8
To Change the Light Bulb .....	8
When the appliance is not in use .....	8

## Something Not Working .....

## Service and Spare Parts .....

## Customer Care Department .....

## Guarantee Conditions .....

Standard Guarantee Conditions .....	12
-------------------------------------	----

## Instructions for the installer

## Technical specification .....

## Installation .....

Unpacking .....	13
Removing the transport supports .....	13
Installing the cabinet .....	14
Electrical connection .....	14
Door Reversal .....	15

## Guide to use the instruction book

The following Symbols will be found in the text to guide you through the instructions



Safety instructions

1, 2, 3 ...

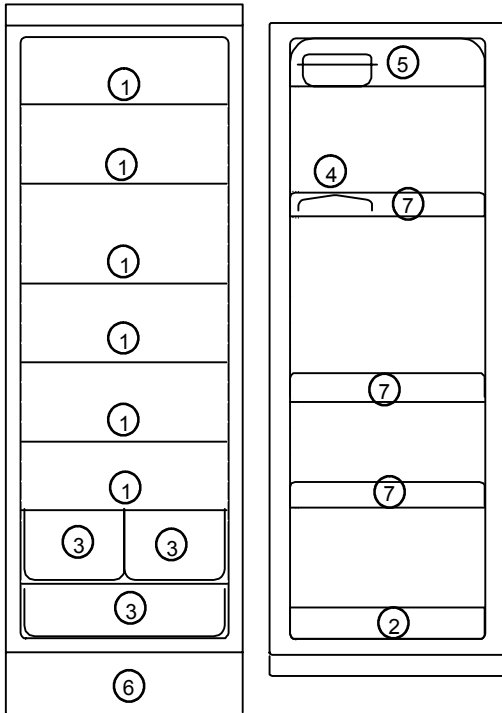
Step by step instructions for an operation



Hints and tips

# Description of the Appliance

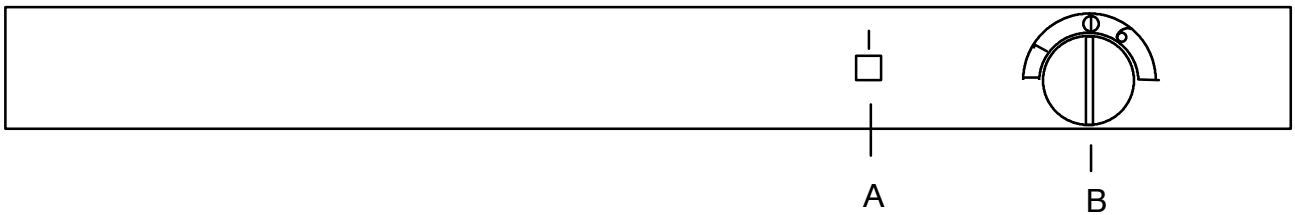
GB



Model ZCR135R

1. Wire shelf
2. Bottle shelf
3. Vegetable drawer
4. Egg tray
5. Dairy compartment + butter box
6. Ventilation grille
7. Door shelf

## Control Panel



### A. Green indicator light

Lights when the fridge is operating.

### B. Thermostat control

Use to switch on and set the desired temperature in the fridge.

# Use

GB

## Operation



This appliance is designed for domestic use only, specifically for the storage of edible foodstuffs.

This appliance is designed to operate in ambient temperatures (surrounding air temperature) between 10°C and 32°C.

If these temperatures are exceeded i.e., colder or warmer, the appliance will not operate correctly.

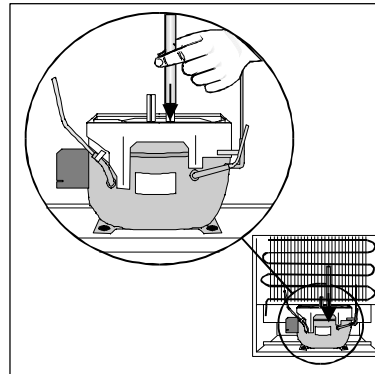
## Before use

- Check that the drain hose at the rear of the cabinet discharges into the drip tray.
- Remove all securing tapes.
- Wash the inside of the appliance with lukewarm water with a little bicarbonate of soda added (5ml to 0,5 litre of water). Do not use soap or detergent as the smell may linger. Dry the appliance thoroughly.



Do not use detergents, abrasive powders, highly perfumed cleaning products, wax, polishes or products containing alcohol.

- Before inserting the power plug into the outlet and switching on the cabinet for the first time, leave it standing upright for about 30 minutes, or for 2 hours if it was transported horizontally. Otherwise the compressor may sustain damage. This time will allow the oil sufficient time to return to the compressor.



## To start the fridge and thermostat control

Turn the thermostat control to the desired position.

**1** :

The lowest position of the thermostat control results in the highest temperature inside the cabinet.

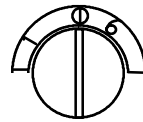
**6** :

The highest position of the thermostat control results in the lowest temperature inside the cabinet.

**0** :

Off.

Allow the cabinet to run for a period of 24 hours whenever the temperature setting is changed. This will allow the temperature to stabilise inside the cabinet.



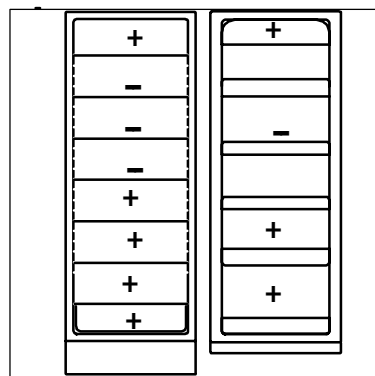
A suitable temperature inside the fridge is approx. 5°C. If the thermostat control is set too cold, food with a high water content may start to freeze if it has been placed in the coldest places in the fridge. The picture shows the coldest and warmest places inside the fridge.

(+ warm, - cold)

Meat, fish and milk should be put in the coldest part of the cabinet.

The temperature will be affected by:

- How often the door is opened
- How much food is stored
- Position of the appliance (See chapter Installation)

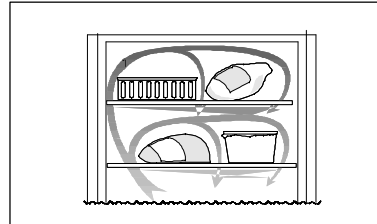
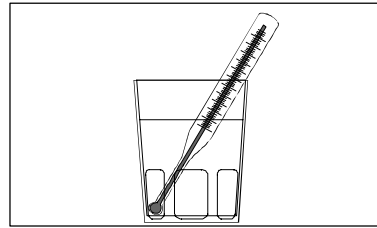


## Measuring the temperature

If the temperature is measured using a standard, single thermometer, this should be put in a glass of water centrally placed inside the cabinet. This will reflect the temperature inside the food products. Do not place the thermometer hanging or lying directly on the shelf.

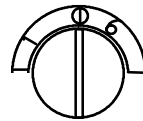


- Distribute foodstuffs to allow cold air to circulate freely between the products.
- Do not place food products directly against the cooling plate on the rear wall since they may freeze in this case.
- Also never put warm products into the cabinet. Wait until they have cooled down.
- Cover all foods properly to avoid odours and flavours from tainting other food.



## Switching off

Set the thermostat control to the "0" position. Unplug the power supply plug from the wall socket or, alternatively, remove the fuse.



## Cabinet interior

The shelves and door compartments are removable and can easily be re-arranged.

Certain shelves must be lifted up by the rear edge to enable them to be removed.

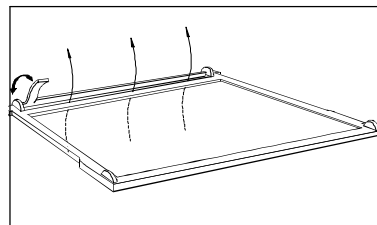
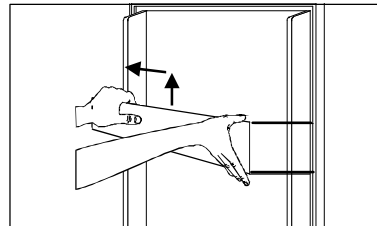
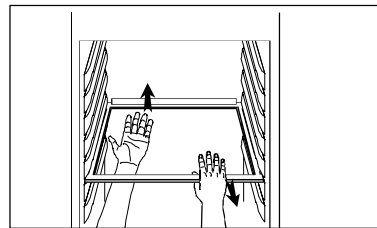
The lower door compartment and the glass shelf above the vegetable drawer must not be moved.

They are required for proper air circulation inside the cabinet.

Shelves with a raised edge should be placed with the raised edge facing the rear wall of the cabinet, and thus prevent food products from touching the cooling plate.

### Dividing plate

The dividing plate separates the chiller compartment from the fridge. The dividing plate features a grille that can be opened and closed to control the amount of cold air entering the chiller compartment. When the grille is opened, the chiller compartment will become colder.



# Hints and Tips

GB

## Normal Operating Sounds

- You may hear faint gurgling or bubbling sounds when the refrigerant is pumped through the coils or tubing at the rear, to the cooling plate/evaporator.
- When the compressor is on, the refrigerant is being pumped round, and you will hear a whirring sound or pulsating noise from the compressor.
- A thermostat controls the compressor and you will hear a faint "click" when the thermostat cuts in and out.

## Food Storage

- To obtain the best results from your appliance, neither hot foods nor liquids which may evaporate, should be placed in the larder compartment.
- Keep the time between buying chilled food and placing it in your fridge as short as possible.
- Do not push food together too much, try to allow

air to circulate around each item.

- Do not store food uncovered.  
Remove suspect food from your refrigerator and clean, refer to cleaning and maintenance.

## Energy Saving Advice

- Do not install the cabinet close to sources of heat such as a cooker, dishwasher or radiator.
- Locate the appliance in a cool well ventilated room and make sure that the air openings of the cabinet are not obstructed.
- Always leave warm food to cool down to room temperature before placing in the fridge.
- Try to avoid keeping the door open for long periods, or opening the door too frequently as warm air will enter the cabinet, and cause the compressor to switch on unnecessarily often.
- Ensure there are no obstructions preventing the door from closing properly.
- It is advisable to periodically clean the refrigeration system at the back of the appliance with a duster or vacuum cleaner.

# Maintenance and Cleaning

GB



Before any maintenance or cleaning work is carried out DISCONNECT the appliance from the ELECTRICITY supply

## Removing the ventilation grille

The ventilation grille can be removed, e.g. to wash the grille.

Make sure the door is open when removing the ventilation grille. Unsnap the upper edge of the grille by pulling outward/downward. Then pull the grille straight out to completely remove it.

## Internal Cleaning

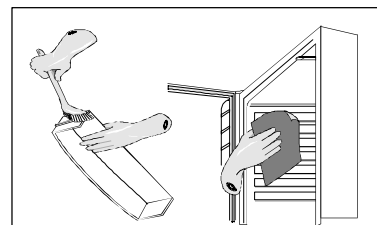
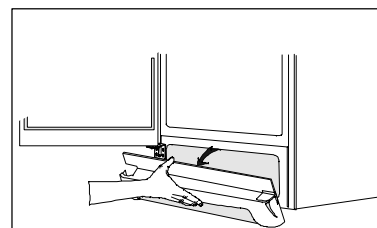
Clean the inside and the accessories with warm water and bicarbonate of soda (5 ml to 0,5 litre of water).

Rinse and dry thoroughly.

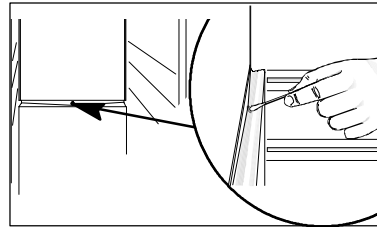


Do not use detergents, abrasive powders, high perfumed cleaning products, wax polishes or cleaning products containing bleach or alcohol .

Regularly check the door seals and wipe clean to ensure they are clean and free from debris.

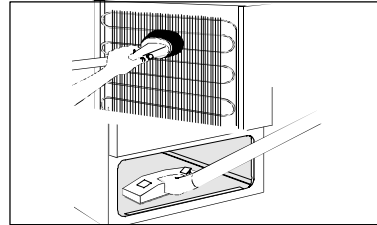


Disconnect the appliance from electricity supply. Clean out the drip channel inside the fridge at regular intervals and ensure that the drip channel is clear at all times. If blocked carefully clear using a piece of flexible curtain wire inserted into the drain outlet to remove the blockage.



## External Cleaning

Wash the outer cabinet with warm soapy water. Remove the ventilation grille (see the section "Removing the ventilation grille") and vacuum-clean under the cabinet. Once or twice a year dust the condenser (black grille) and the compressor at the back of the appliance, with a brush or vacuum cleaner, as an accumulation of dust will affect the performance of the appliance and cause excessive electricity consumption.



When moving the cabinet, lift it by the front edge to avoid scratching the floor.

## Defrosting the fridge

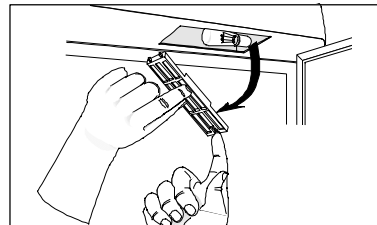
The fridge is defrosted automatically every time the compressor stops. Frost formation can be prevented by:

- not putting warm foodstuff inside the cabinet.
- avoiding frequently opening the door or keeping it open too long.
- not placing foodstuffs directly against the cold cooling plate.

## To Change the Light Bulb

The light is switched on automatically when the door is opened. Before replacing the light bulb, disconnect the power plug from the outlet. Press the spring together and push the grille downward at the same time.

Use a bulb of the same type, E14 socket, maximum rating of 25 W.



## When the appliance is not in use

Disconnect the appliance from electricity supply. Empty all foods and clean the appliance, leaving the doors ajar to prevent unpleasant smells.



# Something Not Working

Before contacting your local Service Force Centre check the following points:

Symptom	Solution
<b>The temperature is too high inside the refrigerator.</b>	<p>Set a lower temperature.</p> <p>Put food products in the right place inside the refrigerator. See the chapter "Temperature inside the refrigerator".</p> <p>Distribute the food products to allow cold air to circulate around them.</p> <p>Make sure that the door is completely closed and that the insulating strip is complete and clean.</p>
<b>It is too cold inside the refrigerator.</b>	<p>Set a higher temperature.</p> <p>Vegetables and other products that are easily frozen have been placed on a "too cold" shelf. See the chapter "To start the fridge and thermostat control".</p>
<b>There is water on the cooling plate inside the refrigerator.</b>	<p>This is normal. During automatic defrosting, frost thaws on the cooling plate.</p>
<b>Water is running inside the refrigerator.</b>	<p>Clean the water drain and drain hole inside the refrigerator using e.g. cotton swabs or a bottle cleaner brush.</p> <p>Food products could have been placed stopping the water from running into the drain.</p>
<b>Water comes out on the floor.</b>	<p>Place the drain hose at the back of the cabinet above the drain bowl. See the chapter "Before use"</p>
<b>The compressor operates continuously.</b>	<p>Set a higher temperature.</p> <p>Make sure that the door is completely closed and that the insulating strip is complete and clean.</p>
<b>The cabinet does not operate at all. Cooling or interior light does not operate. No indicator lamps light.</b>	<p>The power plug is not properly connected.</p> <p>The fuse has blown.</p> <p>The cabinet is not switched on.</p> <p>Power does not reach the cabinet. (Try connecting another electrical device to the power outlet.)</p>
<b>Noise</b>	<p>See "Normal operating Sounds" in chapter Hints and Tips.</p> <p>If the cushion spacers (between the cabinet wall and pipes) come loose, put them back in place again.</p> <p>Carefully follow the instructions in the chapter "Installing the cabinet".</p>

If after above checks there is still a fault call your local Service Force Centre.

In-guarantee customers should ensure that the above checks have been made as the engineer will make a charge if the fault is not a mechanical or electrical breakdown.

Please note that proof of purchase is required for in-guarantee service calls.

## Service and Spare Parts

GB

In the event of your appliance requiring service, or if you wish to purchase spare parts please contact your local Zanussi Service Force Centre by telephoning:

**0870 5 929929**

Your telephone call will be automatically routed to the Service Force Centre covering your post code area. The addresses are listed on the following pages.

Before calling out an engineer, please ensure you have read the details under the heading "Something Not Working".

When you contact the Service Force Centre you will need to give the following details:

1. Your name, address and post code
2. Your telephone number
3. Clear and concise details of the fault
4. The model and serial number of the appliance (found on the rating plate)
5. The purchase date.....

## Customer Care Department

GB

For general enquiries concerning your Zanussi appliance or further information on Zanussi products, please contact our Customer Care Department by letter or phone at the address below or visit our website at [www.zanussi.co.uk](http://www.zanussi.co.uk)

Customer Care Department

Zanussi

55-77 High Street

Slough

Berkshire

SL1 1DZ

08705 727727(\*)

\* calls to this number may be recorded for training purposes.



# Zanussi Service Force



To contact your local Zanussi Service Center telephone **08705 929 929**

<b>MIDLANDS</b> BIRMINGHAM (M18) 66 Birch Road East, Wyrley Road Ind Estate Witton Birmingham B6 6DB	<b>LONDON &amp; EAST ANGLIA</b> BECKENHAM (M79) 11A Gardener Ind Estate Kent House Lane Beckenham Kent BR3 1QZ	NORWICH (M52) 2b Trafalgar Street Norwich NR1 3HN
BOURNE (M44) Manning Road Ind Estate Pinfold Road Bourne PE10 9HT	CHELMSFORD (M47) Hanbury Road Widford Ind Estate Chelmsford Essex CM12 3AE	SUNBURY (M63) Unit 1a The Summit Hanworth Road Hanworth Ind Estate Sunbury on Thames TW16 5D
BRIDGNORTH (M72) 68 St. Mary's Street Bridgnorth Shropshire WV16 4BB	COLINDALE (M53) Unit 14 Capitol Park Capitol Way Colindale London NW9 0EQ	<b>SOUTH EAST</b> ASHFORD (M58) Unit 2 Bridge Road Business Estate Bridge Road Ashford Kent TN2 1BB
GLOUCESTER (M23) 101 Rycroft Street Gloucester GL1 4NB	ELTHAM (M78) 194 Court Road Mottingham Eltham London SE9 4EW	FLEET (M59) Unit 1 Redfields Industrial Estate Church Crookham Fleet Hampshire GU13 0RD
HEREFORD (M31) Unit 3 Bank Buildings Cattle Market Hereford HE4 9HX	ENFIELD (M49) 284 Alma Road Enfield London EN3 7BB	HAYWARDS HEATH (M55) 21-25 Bridge Road Haywards Heath Sussex RH16 1UA
HIGHAM FERRERS (M51) 30 High Street Higham Ferrers Northants NN10 8BB	GRAVESEND (M57) Unit B4, Imperial Business Estate Gravesend Kent DA11 0DL	<b>SOUTH WEST</b> BARNSTAPLE (M30) Main Road Fremington Barnstaple North Devon EX31 2NT
ILKESTON (M43) Unit 2 Furnace Road Ilkeston DE7 5EP	HARPENDEN (M46) Unit 4 Riverside Estate Coldharbour Lane Harpenden AL5 4UN	BOURNEMOUTH (M26) 63-65 Curzon Road Bournemouth Dorset BH1 4PW
LEICESTER (M22) Unit 7 Oaks Ind. Estate Coventry Road Narborough Leicestershire LE0 5GF	LETCHWORTH (M50) 16-17 Woodside Ind Estate Works Road Letchworth Herts SG6 1LA	BRIDGEWATER (M35) 6 Hamp Industrial Estate Bridgewater Somerset TA6 3NT
LINCOLN (M40) Unit 8 Stonefield Park Clifton Street Lincoln LN5 8AA	LONDON (M76) 2/4 Royal Lane Yiewsley West Drayton Middlesex UB7 8DL	BRISTOL (M25) 11 Eldon Way Eldonwall Trading Bristol Avon BS4 3QQ
NEWCASTLE UNDER LYME (M12) 18-21 Croft Road Brampton Ind. Estate Newcastle under Lyme Staffordshire ST5 0TW	MAIDENHEAD (M60) Reform Road Maidenhead Berkshire SL6 8BY	EMSWORTH (M33) 266 Main Road Southbourne Emsworth PO10 8JL
REDDITCH (M20) 13 Thornhill Road North Moons Moat Redditch Worcestershire B98 9ND	MOLESEY (M61) 10 Island Farm Avenue West Molesey Surrey KT8 2UZ	ISLE OF WIGHT (M34) Unit 8 Enterprise Court Ryde Business Park Ryde Isle of Wight PO33 1DB
TAMWORTH (M19) Unit 3 Sterling Park Claymore Tamworth B77 5DO	NEWBURY (M24) 9 Pipers Court Berkshire Drive Thatcham Berkshire RG14 4ER	NEWTON ABBOT (M29) Unit 2 Zealley Industrial Estate Kingsteignton Newton Abbot S. Devon TQ12 3TD
WORCESTER (M73) Unit 1 & 2 Northbrook Close Gregorys Mill Ind Estate Worcester WR3 8BP	IPSWICH (M48) Unit 6C Elton Park Business Centre Hadleigh Road Ipswich IP2 0DD	REDRUTH (M36) Unit 7D Pool Ind. Estate Wilson way Redruth Cornwall TR15 3QW

To contact your local Zanussi Service Center telephone **08705 929 929**

<b>CHANNEL ISLAND</b> GUERNSEY	Guernsey Electricity PO Box 4 Vale, Guernsey Channel Islands	KELSO (M08)	2-8 Wood Market Kelso Borders TD5 7AX	<b>NORTH EAST</b> GATESHEAD (M39)	Unit 356a Dukesway Court Dukesway Team Valley Gateshead NE11 0BH
JERSEY	Jersey Electricity Company PO Box 45 Queens Road St Helier Jersey Channel Islands JE4 8NY	ORKNEY (M65)	Corsie Domestics 7 King Street Kirkwall Orkney KW15	GRIMSBY (M42)	15 Hainton Avenue Grimsby South Humberside DN32 9AS
<b>SCOTLAND</b> ABERDEEN (M05)	54 Claremont Street Aberdeen AB10 6RA	PERTH	Hydro Electric Inveralmond House Ruthvenfield Road Perth PH1 3AQ	HULL (M41)	Unit 1 Boulevard Industrial Estate Hull HU3 4AY
AUCHTERMUCHY (M03)	33a Burnside Auchtermuchy Fife KY14 7AJ	PERTH (OWN SALES)	Graham Begg Unit 4 Airport Ind Estate Wlck KW1 4QS	LEEDS (M37)	64-66 Cross Gates Road Leeds LS15 7NN
BLANTYRE (M07)	Unit 5 Block 2 Auchenraith Ind Estate Rosendale Way Blantyre G72 0NJ	SHETLAND (OWN SALES)	Tait Electronic Systems Ltd. Holmsgarth Road Lerwick Shetland ZE1 0PW	NEWTON AYCLIFFE (M45)	Unit 16 Gurney Way Aycliffe Ind Estate Newton Aycliffe DL5 6UJ
DUMFRIES (M01)	93 Irish Street Dumfries Scotland DG1 2PQ	SHETLAND (OWN SALES)	Bolts Shetland Ltd 26 North Road Lerwick Shetland ZE1 0PE	SHEFFIELD (M38)	Pennine House Roman Ridge Ind. Roman Ridge Road Sheffield S9 1GB
DUNOON (M67)	Briar Hill 7 Hill Street, Dunoon Argyll PA23 7AL	WHALSAY (OWN SALES)	Leask Electrical Harlsdale Symbister, Whalsay Shetland ZE2 9AA	<b>NORTH EAST</b> BIRKENHEAD (M11)	1 Kelvin Park Dock Road Birkenhead L41 1LT
GLASGOW (M04)	20 Cunningham Road Clyde Estate Rutherglen, Glasgow, G73 1PP	<b>NORTHERN IRELAND</b> BELFAST (M27)	Owenmore House Kilwee Business Park Upper Dunmury Lane Belfast BT17 0HD	CARLISLE (M10)	Unit 7 James Street Workshops James Street Carlisle Cumbria CA2 5AH
INVERNESS (M06)	Unit 3B Smithton Ind Estate Smithton Inverness IV1 AJ	<b>WALES</b> CARDIFF (M28)	Guardian Industrial Estate Clydesmuir Road Tremorfa Cardiff CF2 2QS	ISLE OF MAN (M64)	South Quay Ind Estate Douglas Isle of Man IM1 5AT
ISLE OF ARRAN (OWN SALES)	Arran Domestics Unit 4 The Douglas Centre Broddick Isle of Arran KA27 8AJ	CLYWD (M14)	Unit 6-7 Coed - Parc Abergele Road Rhuddlan Clwyd Wales LL18 5UG	LIVERPOOL (M15)	Unit 1 Honeys Green Precinct Honeys Green Lane Liverpool L12 9JH
ISLE OF BARRA (OWN SALES)	J Zorfah 244 Bruernish Isle of Barra Western Islands HS9 5QY	DYFED (M77)	Maes Y Coen High Mead Llanybydder Carmarthenshire SA40 9UL	MANCHESTER (M09)	Unit B Central Industrial Estate St Marks Street Bolton BL3 6NR
ISLE OF BUTE	Walker Engineering Glenmhor Upper Serpentine Road Rothesay Isle of Bute PA20 9EH	HAVER- FORDWEST (M75)	Cromlech Lodge Ambleston Haverfordwest Pembrokeshire SA62 5DS	PRESTON (M13)	Unit 250 Dawson Place Walton Summit Bamber Bridge Preston Lancashire PR5 8AL
ISLE OF LEWIS	ND Macleod 16 James Street Stornoway Isle of Lewis PA87 2QW	OSWESTRY (M17)	Plas Ffynnon Warehouse Middleton Road Oswestry SY11 2PP	STOCKPORT (M16)	Unit 20 Haigh Park Haigh Avenue Stockport SK4 1QR

# Guarantee Conditions



## Standard Guarantee Conditions

We, undertake that if within 12 months of the date of the purchase this appliance or any part thereof is proved to be defective by reason only of faulty workmanship or materials, we will, at our option repair or replace the same FREE OF CHARGE for labour, materials or carriage on condition that:

- The appliance has been correctly installed and used only on the electrical supply stated on the rating plate.
- The appliance has been used for normal domestic purposes only, and in accordance with the manufacturer's instructions.
- The appliance has not been serviced, maintained, repaired, taken apart or tampered with by any person not authorised by us.
- All service work under this guarantee must be undertaken by a ZANUSSI SERVICE CENTRE.
- Any appliance or defective part replaced shall become the company's property.
- This guarantee is in addition to your statutory and other legal rights.

Home visits are made between 8.30am and 5.30pm Monday to Friday. Visits may be available outside these hours in which case a premium will be charged.

## Exclusions

This guarantee does not cover:

- Damage or calls resulting from transportation, improper use or neglect, the replacement of any light bulbs or removable parts of glass or plastic.
- Costs incurred for calls to put right an appliance which is improperly installed or calls to appliances outside the United Kingdom.
- Appliances found to be in use within a commercial environment plus those those which are subject to rental agreements.
- Products of Zanussi manufacture which are not marked by Zanussi.

## European Guarantee

If you should move to another country within Europe then your guarantee moves with you to your new home subject to the following qualifications:

- The guarantee starts from the date you first purchased your product.
- The guarantee is for the same period and the same extent for labour and parts as exists in the new country of use for this brand or range of products.
- This guarantee relates to you and cannot be transferred to another user
- Your new home is within the European Community (EC) or European Free Trade Area.
- The product is installed and used in accordance with our instructions and is only used domestically, i.e. a normal household.
- The product is installed and taking into account regulations in your new country.

Before you move please contact your nearest Customer Care Centre, listed below, to give them details of your new home. They will then ensure that the local Service Organisation is aware of your move and able to look after you and your appliances.

France	Senlis	+33 (0)3 44 62 22 22
Germany	Nürnberg	+49 (0)911 323 26 00
Italy	Prodenone	+39 (0)1678 47053
Sweden	Stockholm	+46 (0) 20 78 77 55
UK	Slough	+44(0) 1753 21 98 97

# Technical specification

GB

model	ZCR135R
net volume	379 l
width	595 mm
height	1800 mm
depth	600 mm
energy consumption	248 kwh/year
energy class	B
rated power	110 W
weight	68 kg
number of compressors	1

\* This figure is based on standard test result to the European Standard EN153. Actual consumption will depend on how the appliance is used and where it is located.

## Installation

GB

### Unpacking

Unpack the cabinet and check that it is in good condition and free of any transport damage. Notify the dealer immediately of any damage. Hand the packaging over for recycling.



Do not allow children to play with the packaging. The plastic film can cause suffocation.

### Removing the transport supports

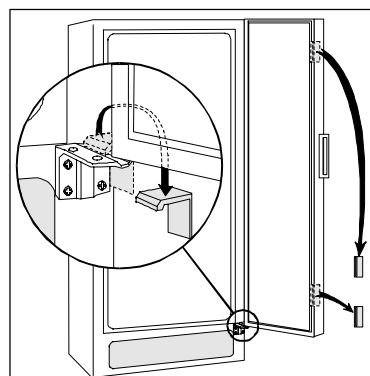
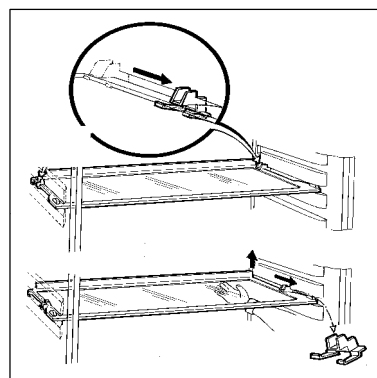
Remove the tape and the transport supports from

- the door sides
- inside the door hinges
- the shelves

Remove the transport support on the glass shelf by pushing the support forward along the edge of the shelf until it stops at the protuberance of the shelf. Take hold of the rear edge of the glass shelf and pull the shelf and transport support forward until the shelf tilts and the transport support can be removed. Some models are fitted with a silencing pad under the cabinet. Do not remove this pad.

### Cleaning

Wash the inside of the cabinet using lukewarm water and bicarbonate of soda (5 ml to 0,5 litre of water).



## Installing the cabinet

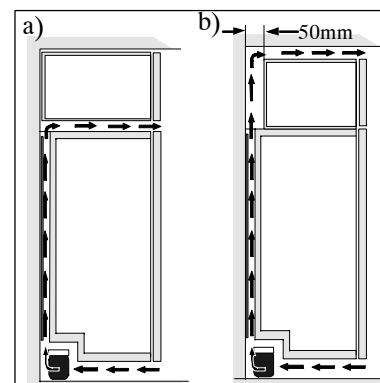
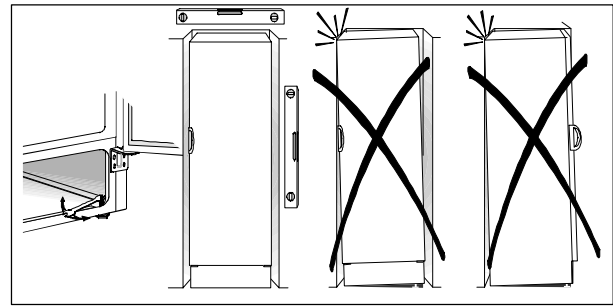
To obtain the best performance from the cabinet, ensure :

- the cabinet is placed in a dry, cool place and is not exposed to direct sunlight.
- the cabinet is not placed close to a source of heat, e.g. a cooker or dishwasher.
- the room in which the cabinet is placed has a temperature of +10°C to +32°C.
- the cabinet is level. The cabinet should not lean against any wall. If necessary adjust the feet using the supplied adjustment spanner.
- there is good air circulation around the cabinet and that the air channels below and behind the cabinet are not blocked. The ventilation space above the cabinet and any grocery/top cabinet must be at least 200 cm<sup>2</sup>.

The ventilation space can either be

- a) directly above the cabinet, or
- b) behind and above the top cabinet. In this case, the space behind the cabinet must be at least 50 mm deep.

If the cabinet is placed in a corner and the side with the hinges faces the wall, the distance between the wall and the cabinet must be at least 10 mm to allow the door to open enough so that the shelves can be removed.



## Electrical connection



Any electrical work required to install this appliance should be carried out by a qualified electrician or competent person. This appliance must be earthed.

**The manufacturer declines any liability should these safety measures not be observed.**

## Electrical Requirements


Before switching on, make sure the electricity supply voltage is the same as that indicated on the appliance rating plate.

The appliance is supplied with a 13amp plug fitted. In the event of having to change the fuse in the plug supplied, a 13amp ASTA approved (BS1362) fuse must be used.

Should the plug need to be replaced for any reason.

The wires in the mains lead are coloured in accordance with the following code:

Green and yellow	-Earth
Blue	-Neutral
Brown	-Live

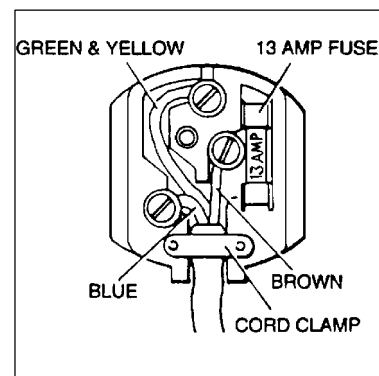
The wire coloured green and yellow must be connected to the terminal marked with the letter "E" or by the earth symbol  or coloured green and

yellow.

The wire coloured blue must be connected to the terminal marked "N" or coloured black

The wire coloured brown must be connected to the terminal marked "L" or coloured red.

Upon completion there must be no cut, or stray strands of wire present and the cord clamp must be secure over the outer sheath.



## Door Reversal

1. Close the cabinet and pull out the plug from the electrical outlet.
2. Remove the ventilation grille. There is a part on the grille that can be removed. Remove it and transfer to the opposite side.
3. Support the cabinet on a wooden block when it is laid down. It will be easier to grip under the cabinet when resupporting to an upright position.
4. On the upper part of the cabinet. Put the hinge pin on the other side.
5. On the lower part of the cabinet. Unscrew the hinge. Move the hinge pin and plastic cover. Secure the hinge on the other side.
6. Raise the cabinet and replace the ventilation grille.
7. Unscrew the handle. Carefully press in the plastic plugs on the opposite side using a punch. Secure the handle in the plug holes. Then press the supplied plastic plugs into the holes to which the handle was previously fitted.
8. Put the cabinet in position. Check that it stands straight. See the section "Positioning the cabinet".

