



the box pro

achat 108 CX

User Manual

Safety Precautions

Flying and installation of this speaker cabinet must be carried out by suitably qualified personnel following the approved safety standards.

Do not attempt to clean the plastic enclosure with solvents or petrochemical based cleaners.

Do not place objects which are sources of heat on the speaker cabinet such as lighting equipment or smoke machines.

Do not expose the speaker cabinet to direct precipitation or stand in water. Liquid getting into the box will risk a short circuit and will be hazardous.

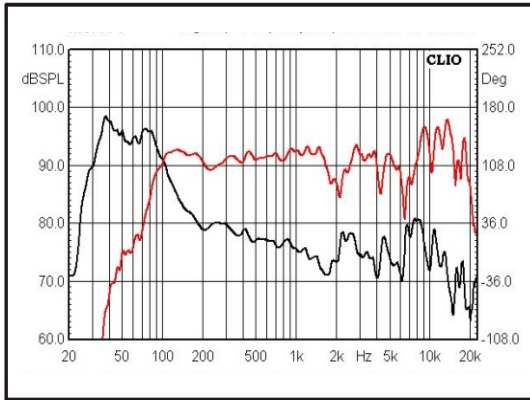
Do not stack the speaker cabinet in a manner that could cause injury should a cabinet become dislodged.

Attention

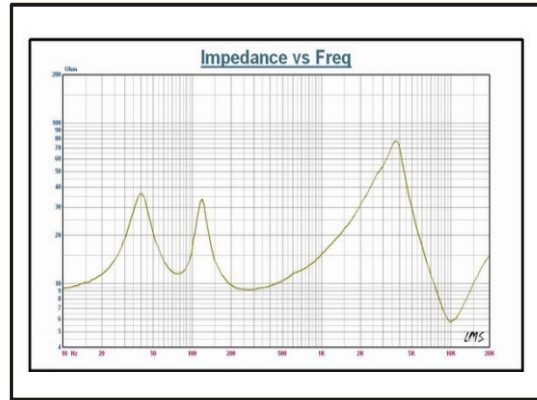
Before connecting or operating your new THOMANN MUSIKHAUS speaker, please study the accompanying instruction manual paying particular attention to the operating precautions and wiring procedure.

THOMANN MUSIKHAUS will not assume responsibility for incorrect installation or operation of this product.

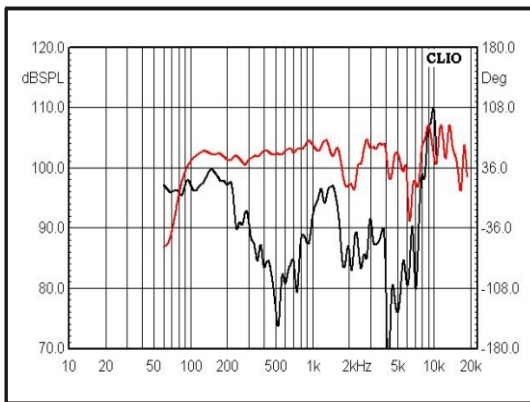
Technical Measurements



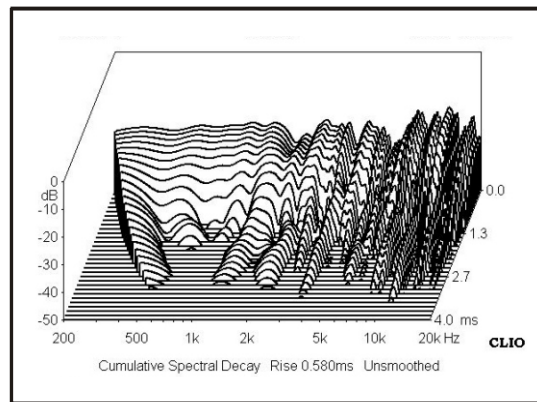
Frequency response, SPL/2.83v



Impedance curve

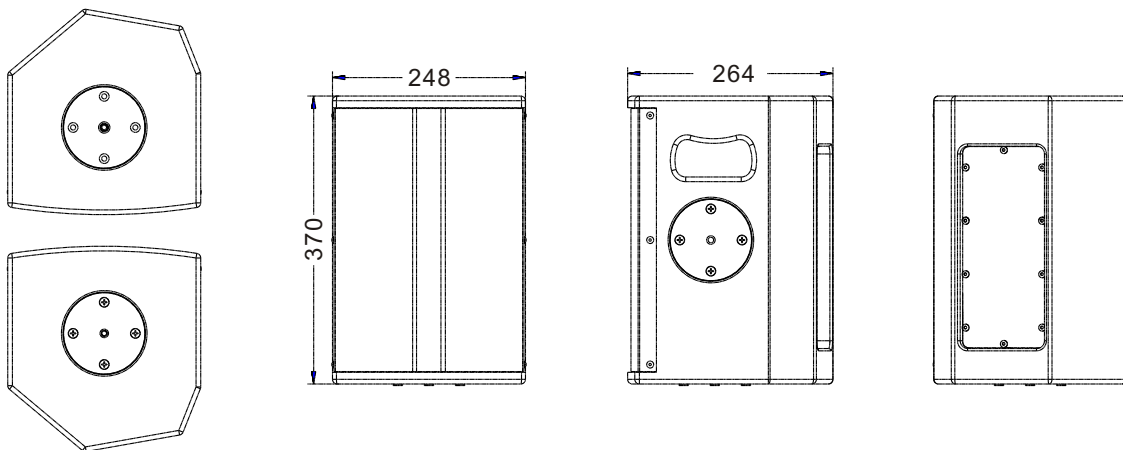


Harmonic distortion 106dB/25m, nominal impedance



Waterfall spectrum analysis

Cabinet Dimension



Features

- Neodymium coaxial chassis 8" / 1" , 140W rms.
- Frequency response 80- 20000 Hz.
- Cabinet plywood with pole mount socket and M10 suspension/ mounting points.
- Also for use as stage monitor.
- Black textured paint.
- Rigid steel front grille.
- NL4 speakon connectors.
- L- bracket available for horizontal and vertical suspension.
- For optional use with achat 112 SUB.

Specifications

System:	Built-in Crossover Two Way Full Range Speaker
Cabinet:	Plywood
Driver Quantity:	8" x1(Bass)
	1x Ø34mm Driver
Frequency Response(-3dB):	80Hz-20kHz
Sensitivity(dB/1W/1m):	93 dB
Impedance:	8 Ohm
Recommendatory Power(RMS/W):	140 W
Power (Peak):	560 W
Max Sound Level(dB/1M):	118dB
Tweeter Dispersion(HxV):	90°x 90°
Harmonic Distortion:	≤3%
Connectors:	2xNL4
Dimensions(WxDxH mm/pcs):	248x264x370 mm
Packing Dimensions(WxDxH mm/pcs)	322x322x450 mm
Net Weight(Kg/pcs):	8 kg
Gross Weight(Kg/pcs):	9 kg

* In the interests of product development, THOMANN MUSIKHAUS reserves the right to change and improve all specifications quoted.