

ZANUSSI

**Instructions
for use and care
of Z2450R - ZC2450
refrigerators**

Installation

Foreword

If you are discarding an older appliance with a spring lock please ensure that the lock is made unusable to avoid accidents to young children.

Electricity Supply

The appliance is for operation on a 220/240 V. 50 Hz supply, so be sure that your electricity supply voltage is within the range marked on the nameplate located inside the cabinet.

Earthing

WARNING: THIS APPLIANCE MUST BE EARTHED. The manufacturer declines any liability should this safety measure not be observed.

If the plug that is fitted to your appliance is not suitable for your socket outlet, it must be cut off and the appropriate plug fitted. The cut off plug should be disposed of to prevent the hazard of electric shocks in case it should be plugged into a 13 Amp socket in another part of your home.

Electrical connection

IMPORTANT: The wires in this mains lead are coloured in accordance with the following code:

GREEN AND YELLOW - EARTH
BLUE - NEUTRAL
BROWN - LIVE

If you fit your own plug, the colours of the wires in the mains lead of your appliance may not correspond with the markings identifying the terminals in your plug, this is what you have to do: Connect the green and yellow (earth) wire to the terminal in the plug which is marked with the letter "E" or the earth symbol \perp , or coloured green, or green and yellow.

Connect the blue (neutral) wire to the terminal in the plug which is marked with the letter "N" or coloured black.

Connect the brown (live) wire to the terminal which is marked with the letter "L" or coloured red.

The plug moulded on to the cord incorporates a fuse. For replacement use a 13 Amp BS 1362 fuse. Only ASTA approved fuses should be used.

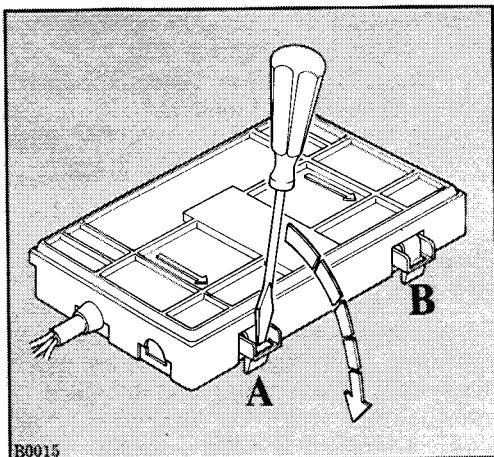
The fuse cover/carrier must be replaced in the event of changing fuse.

The right fuse cover/carrier colour is the one shown by the coloured insert at the base of the plug.

The plug must not be used if the fuse cover/carrier is lost.

A replacement cover/carrier must be obtained from Zanussi Service Agents whose addresses are listed on the attached "Zanussi Service and Spares Nationwide".

This appliance complies with E.E.C. directive No. 76/889 of 4.11.76 relative to radio interference suppression.



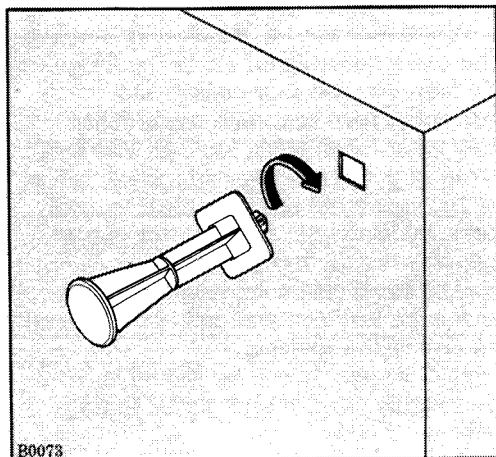
B0015

fig. 1

Some models have the main terminal board of the type shown in fig.1. To gain access to the terminals of the supply cable, remove the lid from the terminal board by releasing the two catches "A" and "B" Fig.1 with the aid of a small blade screwdriver.

Location

Place the appliance away from all heat sources, such as: radiators, heating stoves, direct sunlight, etc. Best results are obtained with a room temperature ranging between $+16^{\circ}\text{C}$ and $+32^{\circ}\text{C}$ (for "class N" appliances) and $+18^{\circ}\text{C}$ and $+43^{\circ}\text{C}$ (for "class T" appliances). Make sure that there is nothing at the back or on top of the appliance to obstruct air circulation. Two adjustable feet at the cabinet base make it possible to accurately level the appliance.



B0073

fig. 2

Rear spacers

In the plastic envelope containing the Operating Instructions are also included two wall spacers to be fitted into the special openings provided on the back of the appliance. Push-fit the spacers into the openings as shown in Fig. 2 and then turn them clockwise through approx. 45° until they lock in.

Cleaning the interior

Before using the freezer for the first time, wash the interior with lukewarm water and some neutral soap so as to remove the typical smell of a brand-new product, then dry thoroughly. Do not use detergents which will leave an odour or abrasive powders on the interior, as these will damage the finish.

Operation

Control panel (Fig. 3)

Controls & warning lights

A - Thermostat knob for temperature adjustment

B - Operating light

Starting up - Temperature adjustment

Fig. 3 shows the controls available on the control panel to start the appliance and to adjust the temperature.

To start the appliance, insert the plug into the wall socket and turn the thermostat knob "A" beyond position "●" (pilot lamp "B" comes on) until the index coincides with the required setting; a medium setting is generally the most suitable.

However, if the appliance works in unfavourable room conditions such as poor ventilation, high ambient temperature and frequent door openings, it might be necessary to select a more suitable setting.

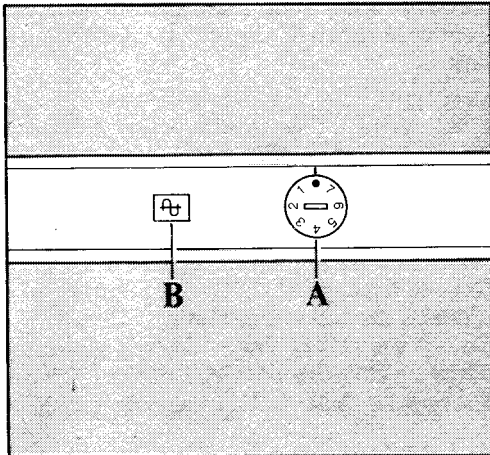


fig. 3

Turn the knob to the higher numbers to obtain lower temperatures and, conversely, to the lower numbers if a less cold temperature is required. To stop the appliance turn knob "A" until symbol "●" coincides with the index.

Normal storage of fresh food in the refrigerator

To obtain the best performance from your appliance, follow these simple rules: never place warm food or evaporating liquids into the refrigerator, do not cover or wrap all food, particularly if it has a strong flavour; do not cover the shelves with any protective material, such as paper, cardboard or plastic, which may obstruct the free circulation of air in the fridge.

To help you use your refrigerator correctly, here are some useful hints:
raw meat (beef, pork, lamb & wild fowl): wrap in polythene bags and place on top of the vegetable crispers. Meat can only be stored safely in this way for one or two days at the most;
cooked food, cold cuts, jelly etc.: these should be well covered and can be stored on any of the shelves;
fruit & vegetables: these should be thoroughly cleaned and placed in the bottom drawer.

butter & cheese: these should be placed in special airtight containers or wrapped in aluminium foil or polythene bags to exclude as much air as possible.
milk bottles: these should have a cap and should be stored in the bottle rack on the door.

The inner walls of the refrigerator compartment incorporate a number of self-carrying runners which allow the shelves to be placed at various levels (Fig.4).

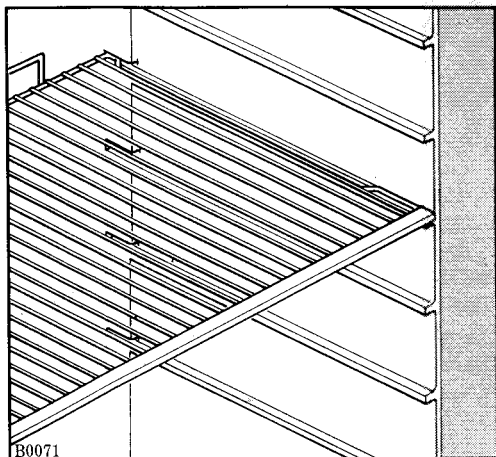


fig. 4

Drink-chiller

(For models incorporating this feature)

The drink-chiller, which - depending on the type of appliance - is located either on the inner door or on the inner liner ceiling of the refrigerator compartment, can easily be removed from its runners for filling up.

To draw out the drink, push the glass against the arms of the special dispenser tap. When the glass is removed, the tap closes automatically.

To clean the drink-chiller, fill with hot water, let it cool and rinse a few times. For a more accurate cleaning it would help adding a tablespoonful of bicarbonate of soda, then wash taking care to close and open the tap several times so as to clear it of any sugar deposits that may have formed. Empty the container and rinse with clean water.

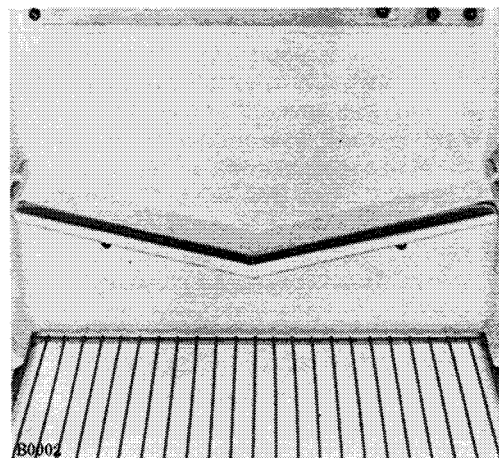


fig. 5

Defrosting the refrigerator

Frost is automatically eliminated from the evaporator of the refrigerator every time the compressor stops.

Defrost water drains out through a trough (Fig. 5) into a special container on the back of the appliance where it evaporates (Fig. 6).

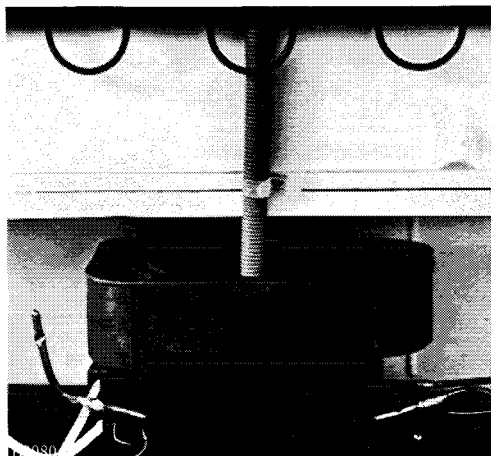


fig. 6

Maintenance

Always pull out the plug from the wall socket prior to undertaking any cleaning operation.

Clean the interior periodically with lukewarm water and some bicarbonate of soda, the cabinet exterior with lukewarm soapy water and every once in a while with some car polish (e.g. silicone wax).

Clean the condenser on the back of the appliance, using a brush or vacuum cleaner, in order to increase heat dissipation: this will improve performance and save power.

During periods when the appliance is not in use, e.g. when you are going away on summer vacations, we suggest you take the following precautions:

pull out the plug from the wall socket or turn the knob ("A" - Fig. 3) until symbol "●" coincides with the index.

remove all food from the appliance; defrost and carefully clean the interior and all movable parts;

leave the door ajar to facilitate the circulation of air in the interior so as to prevent the formation of unpleasant odours.

Customer service & spare parts

What to do if the appliance is not functioning properly.

If something is not working properly, check that:

The plug is firmly in the wall socket and the mains power switch is on; there is an electricity supply (find out by plugging in another appliance); the knob is actually on the correct operating position.

Furthermore:

if the appliance seems too noisy, check that the sides are not touching furniture that can transmit or amplify a noise or a vibration; also check that the piping of the refrigerant system does not vibrate. If there are water drops on the bottom of the cabinet check that the defrost water drain opening is not obstructed (Fig.5). If your appliance is still not working properly after making the above checks, contact the nearest service center.

To obtain fast service, it is essential that when you apply for it you specify the model and serial number of your appliance which can be found on the rating plate.

Replacing the interior light bulb

The light bulb of the refrigerator can easily be reached.

If the light does not come on when the the door is opened, check that the light bulb is correctly screwed in; if after this it still does not light up, replace the bulb.

Door reversal direction (Fig. 7)

Before carrying out the operations described below, pull out the mains plug from the wall socket.

To carry out this reversal go through the following steps:

- a) Remove bottom hinge 1;
- b) Unscrew pin C from hole A and refit it in hole B;
- c) Remove door hinge stopper 3 and refit it on the opposite side;
- d) Slide out the door from pin 4, unscrew the latter and refit it on the hinge provided on the opposite side.
- e) Refit the door and hinge 1 on the opposite side;
- f) Remove handle 5 and refit it on the opposite side.

B0078

fig.7



ZANUSSI STANDARD GUARANTEE CONDITIONS

This guarantee is in addition to your statutory and other legal rights which will not be excluded or in any way diminished by the return of the guarantee card.

We, IAZ International (UK) Ltd, undertake that if, within twelve months (24 months for TV sets) of the date of the purchase, this ZANUSSI appliance or any part thereof is proved to be defective by reason only of faulty workmanship or materials, we will, at our option, repair or replace the same **FREE OF ANY CHARGE** for labour, materials or carriage on condition that:

—The appliance has been correctly installed and used only on the electricity supply stated on the rating plate.

—The appliance has been used for normal domestic purposes only, and in accordance with the manufacturer's operating and maintenance instructions.

—The appliance has not been serviced, maintained, repaired, taken apart or tampered with by any person not authorised by us.

—The appliance is still in the possession of the original purchaser.

All service work under this guarantee must be undertaken by a Zanussi Network Service Centre (or the Zanussi Authorised TV Service Dealer).

Any appliance or defective part replaced shall become our property.

Exclusions

This guarantee does not cover:

—Damage or calls resulting from transportation, improper use or neglect, the replacement of any light bulbs or removable parts of glass or plastic.

—Costs incurred for calls to put right machines improperly installed or calls to machines outside the UK and the Republic of Ireland.

—Appliances found to be in use within a commercial environment, plus those which are the subject of rental agreements.

—Television receivers - routine adjustment, or poor reception resulting from a source outside of the receiver.



ZANUSSI 5 YEAR COVER CONDITIONS

For a once-only payment you can extend your Standard Guarantee to 5 years. All the conditions and exclusions of the Standard Guarantee apply.

Notes

1. Products supplied as "seconds", refurbished, damaged or shop-soiled are not eligible for Zanussi 5 year cover.
2. The issue of a cover does NOT by virtue of our having done so, nullify the exclusions.
3. The Engineer will need to check the details of your Cover card and may make a charge for his services if it is not presented to him at the time of his call.
4. The date of purchase, or the date of initial payment (deposit) of the appliance will be deemed the date of commencement of cover.
5. Covers issued are not refundable or transferable.

ZANUSSI
The appliance of science