

SVEN®
YOU WANT – WE CAN

2.1 Multimedia Speaker System

OPERATION MANUAL



MS-321

www.sven.fi

Congratulations on your purchase of the Sven speaker system!**COPYRIGHT**

© 2014. SVEN PTE. LTD. Version 1.0 (V 1.0).

This Manual and information contained in it are copyrighted. All rights reserved.

TRADEMARKS

All trademarks are the property of their legal holders.

NOTICE OF RESPONSIBILITY RESTRICTION

Despite the exerted efforts to make this Manual more exact, some discrepancies may occur. The information in this Manual is given on «as is» terms. The author and the publisher do not bear any liability to a person or an organization for loss or damage which has arisen from the information contained in this Manual.

CONTENTS

1. BUYER RECOMMENDATIONS	1
2. PACKAGE CONTENTS	2
3. SAFETY PRECAUTIONS	2
4. TECHNICAL DESCRIPTION	2
5. PREPARATION AND OPERATION	3
6. TROUBLESHOOTING	5
7. TECHNICAL SPECIFICATIONS	6

1. BUYER RECOMMENDATIONS

- Unpack the device carefully. Make sure there are no accessories left in the box. Check up the device for damage; if the product was damaged during transportation, address the firm which carried out the delivery; if the product functions incorrectly, address the dealer at once.
- Check up the package contents and availability of the warranty card. Make sure the warranty card has a shop stamp, a legible signature or the seller's stamp and purchase date, and the goods number corresponds to that in the warranty card.
- Do not switch on the speaker system immediately after you bring it into a room from environment with negative temperature! After unpacking, the speaker system should be kept in conditions of room temperature for at least 4 hours.
- Before installing and using the speaker system, read this Manual carefully and keep it for future reference.

2. PACKAGE CONTENTS

- Subwoofer – 1 pc
- Satellites – 2 pcs
- Mini-jack Ø 3,5 mm to mini-jack Ø 3,5 mm signal cable – 1 pc
- Mini-jack Ø 3,5 mm to 2RCA adapter – 1 pc
- Operation manual – 1 pc
- Warranty card – 1 pc

3. SAFETY PRECAUTIONS



Caution! High voltage inside! To avoid the risk of electric shock do not open or touch elements inside.

- To avoid electric shock, do not open the MSS and do not perform repairs by yourself. Service and repairs should be performed only by qualified specialists in an authorized service center. The list of authorized service centers is available on www.sven.fi
- Do not allow the circuit of wires (including the grounded ones) between the speakers, on the power amplifier or the ground, for it causes damage to the power amplifier output stage.
- Do not touch the MSS power cord plug pins for 2 seconds after unplugging it from the mains.
- Do not put foreign objects inside the holes of the MSS.
- Protect the MSS from high humidity, water and dust.
- Protect the MSS from heating: do not place it closer than 1 m from a heat source. Do not expose it to direct sunlight.
- Do not place any open flame sources on or close to MSS.
- Do not place the MSS in poorly ventilated areas. Leave an air gap of 10 cm or more. When operating the MSS, do not put any devices on it, do not cover it with cloth or other objects preventing it from cooling.
- Do not use any chemical agents for cleaning. Clean it with dry soft cloth only.

4. TECHNICAL DESCRIPTION

MS-321 2.1 Multimedia Speaker System (MSS) is designed to play music and sound games, movies, etc. The MSS has a built-in power amplifier, audio cables built into the satellites enabling to connect it to virtually any audio source (CD/DVD player, TV, PC, etc.) without an additional power amplifier.

Special features

- Speaker system is compatible with PCs, DVD/Media-players, mobile devices and other sound sources
- Built-in power amplifier
- High-quality power amplifier for headphones
- Aluminium front panels
- Two-way satellites
- Volume control, headphone volume control
- Bass and treble control
- Slotted bass reflex ports, headphone jack
- Magnetic shielding, stylish subwoofer control panel illumination
- MDF subwoofer and satellites cabinets

Front and rear subwoofer panels

- ① Control panel illumination
- ② BASS: bass control knob
- ③ VOLUME: master volume control knob
- ④ TREBLE: treble control knob
- ⑤ PHONES VOLUME: headphones volume control knob
- ⑥ PHONES: headphone jack
- ⑦ Slotted bass reflex port
- ⑧ INPUT: audio source input
- ⑨ LEFT: left satellite output
- ⑩ RIGHT: right satellite output
- ⑪ ON/OFF: power switch
- ⑫ Power cord

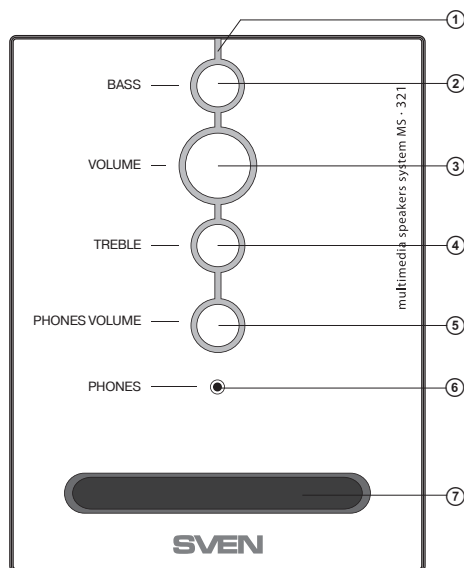


Fig. 1. Subwoofer control panel

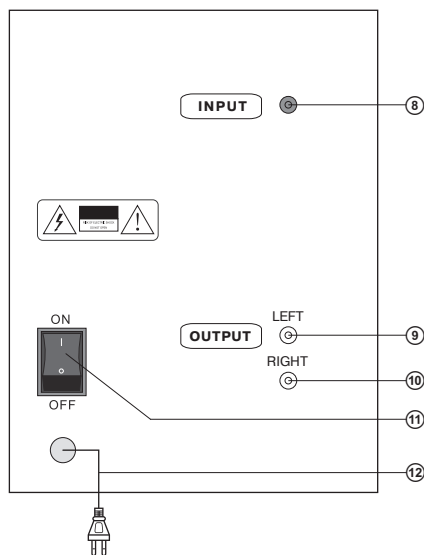


Fig. 2. Subwoofer rear panel

5. PREPARATION AND OPERATION**Speaker placement**

- Place the speakers symmetrically to the listener at least one meter away, the system can be wall-mounted. The subwoofer emits non-directional sound, therefore it can be located in any place of the room where it sounds the best.
- Place MSS far away from monitors and TV sets, as insignificant image distortion in these supersensitive devices is possible.

Installation and operation

MS-321 Multimedia Speaker System can be connected to virtually any audio source: DVD/CD, PC sound card, etc. (see connection diagram in Fig. 3).

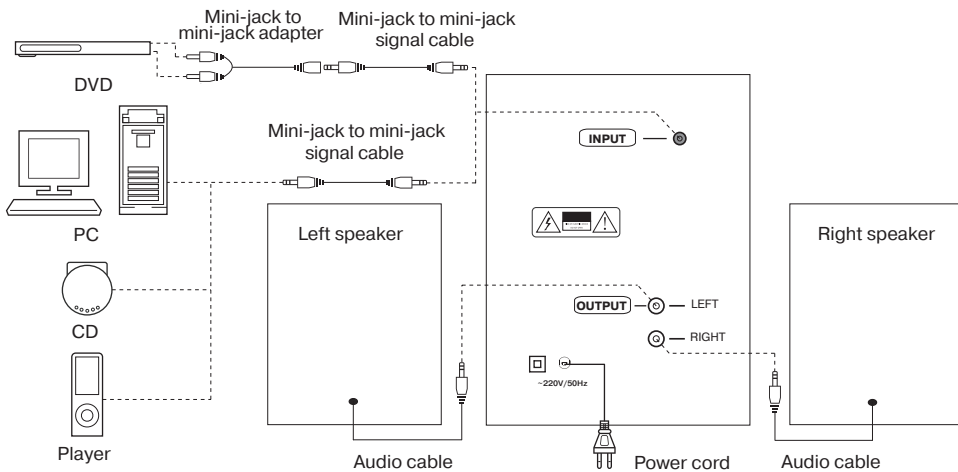


Fig. 3. Connection diagram

- Before making any connections, make sure that the MSS is switched off. Then connect the audio cables built into the satellites to the OUTPUT jacks of the subwoofer: the left speaker to the LEFT output ⑨, the right speaker to the RIGHT output ⑩.
- Insert the mini-jack (Ø 3.5 mm) of the signal cable (included) into the subwoofer INPUT jack ⑧, then connect it to the LINE OUT port of your PC sound card or output jack of your MP3/CD-player (see diagram in Fig. 3).

Notes:

- **Sound quality is directly affected by correctness and reliability of the connection of cables. We recommend that you use the cables included in the package contents of the MSS. Usually, the right channel is marked in red, and the left channel is marked in white.**
- **To connect the MSS to a CD/DVD player or a TV, use the included mini-jack to mini-jack stereo signal cable and mini-jack to 2RCA adapter.**
- Adjust the VOLUME knob ③ on the subwoofer to its minimum, then connect the subwoofer to a mains outlet via the built-in power cord ⑫.
- Switch on the subwoofer with the POWER switch (⑪, ON position). Then turn on your audio source and adjust the subwoofer volume level with the VOLUME knob ③, the bass and treble level with the BASS knob ② and TREBLE knob ④ respectively.
- Headphone volume level is adjusted by turning the PHONES VOLUME knob ⑤.
- After using the MSS, shift the POWER switch ⑪ into OFF position and unplug the power cord ⑫.

6. TROUBLESHOOTING

Problem	Cause	Solution
The MSS does not turn on.	The MSS isn't connected to a mains outlet.	Check the connection.
	The power switch is off.	Turn on the switch.
No sound.	Volume level is set at its minimum value.	Adjust the volume control knob.
	The audio source is improperly connected.	Connect audio sources correctly.
There is too quiet sound of speakers.	Volume level is set at its minimum value.	Adjust the volume control knob.
Distortion of sound.	Large amplitude of the input signal.	Turn down the source volume and MSS volume.
Sound is produced by one of the channels only.	The speakers are improperly connected to the audio source.	Check the connection of the speakers.

If none of the above mentioned solutions removes the problem, please consult a qualified specialist at your nearest authorized service center. Never try to repair the device on your own.

7. TECHNICAL SPECIFICATIONS

Parameter, measurement unit	Value
Output power (RMS), W subwoofer satellites	41 (25 + 2 × 8) 25 2 × 8
Frequency range, Hz	30 – 20 000
S/N ratio, dB	≥ 65
Speaker diameter, mm subwoofer satellites (tweeter + midrange)	Ø 125 Ø 38 + Ø 75
Power supply, V / Hz	~220/50
Dimensions (W × H × D), mm subwoofer satellites (one speaker)	165 × 230 × 300 100 × 170 × 120
Weight, kg	5.5

Notes:

- **Technical specifications given in this table are supplemental information and cannot give occasion to claims.**
- **Technical specifications are subject to change without notice due to the improvement of SVEN production.**

2.1 Multimedia Speaker System

SVEN®
YOU WANT – WE CAN



Модель: MS-321

Импортер в России: ООО «СКАНДИТРЕЛ»,
111024, РФ, г. Москва, ул. Авиамоторная, д. 65, стр. 1.
Уполномоченная организация в России: ООО «РТ-Ф»,
105082, г. Москва, ул. Фридриха Энгельса, д. 75, стр. 5.
Условия гарантийного обслуживания смотрите
в гарантийном талоне или на сайте **www.sven.fi**
Гарантийный срок: 12 мес. Срок службы: 5 лет.
Производитель: «СВЕН ПТЕ. Лимитед», 176
Джу Чиат Роуд, № 02-02, Сингапур, 427447.
Произведено под контролем «Свен Скандинавия
Лимитед», 48310, Финляндия, Котка, Котolahdentie, 15.
Сделано в Китае.

Manufacturer: SVEN PTE. LTD., 176 Joo Chiat Road,
№ 02-02, Singapore, 427447. Produced under the control
of Oy Sven Scandinavia Ltd. 15, Kotolahdentie, Kotka,
Finland, 48310. Made in China.

© Registered Trademark of Oy SVEN
Scandinavia Ltd. Finland.

MS-321