

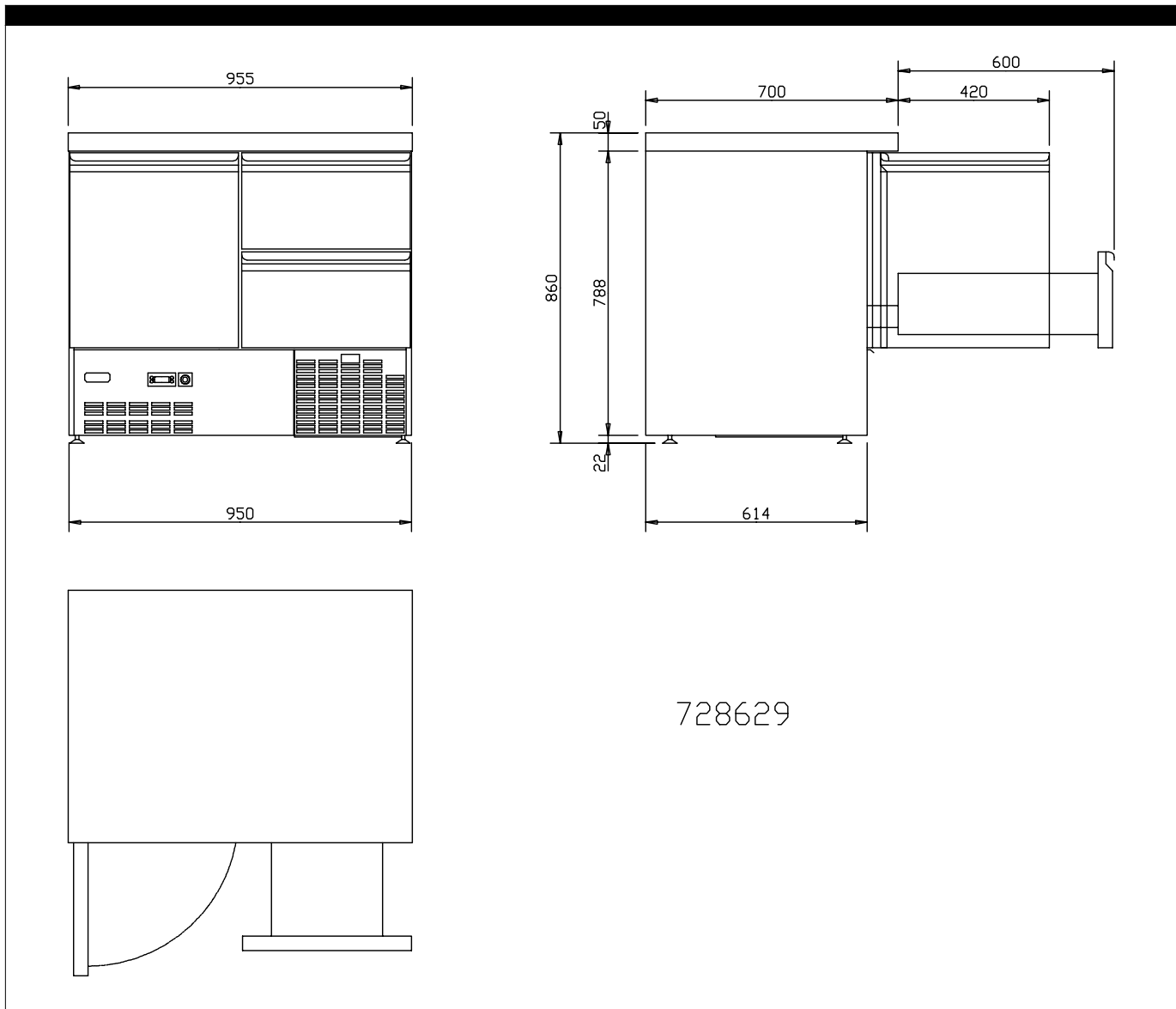


- ◆ Rounded internal corners for ease of cleaning.
- ◆ Lower refrigerated compartment designed to accommodate GN 1/1 containers.
- ◆ Digital control panel.
- ◆ Suitable to operate in ambient temperatures up to +32°C.  
Temperature range: +2+10 °C.
- ◆ Forced air circulation for rapid cooling and an even temperature distribution.
- ◆ Automatic evaporation of defrost water. Prearrangement for drain outlet.
- ◆ Access to all components from the front.
- ◆ In compliance with H requirements.
- ◆ C.F.C. and H.C.F.C. free.
- ◆ Environmentally friendly: R134a.
- ◆ High-density expanded polyurethane foam, 50 mm in thickness, with cyclopentane injection..
- ◆ Developed and produced in ISO 9001 and ISO 14001 certified factory.

ACCESSORIES	MODELS					
	SAL25T12 728629	SAL25N12 728630	SAL25T20 728631	SAL25N20 728632	SAL25N04 728633	SAL25T04 728634
1/1 GN GREY "RILSAN" GRID	881435	881435	881435	881435		
HACCP ADV.CONN.10 UNITS-DIG.REF.(ID9XX)	880119	880119	880119	880119	880119	880119
HACCP ADV.CONN.80 UNITS-DIG.REF.(ID9XX)	880132	880132	880132	880132	880132	880132
HACCP ADV.CONN.PER UNIT-DIG.REF.(ID9XX)	880133	880133	880133	880133	880133	880133
KIT 4 WHEELS FOR 250L COUNTER/SALADETTE	880267	880267	880267	880267	880267	880267
KIT HACCP EKIS	922166	922166	922166	922166	922166	922166
PLASTIC CONTAINER GN 1/1 H=100 MM	811451	811451	811451	811451		
PLASTIC CONTAINER GN 1/1 H=150 MM	881040	881040	881040	881040		
PLASTIC CONTAINER GN 1/1 H=65 MM	881038	881038	881038	881038	881038	881038



www.zanussiprofessional.com

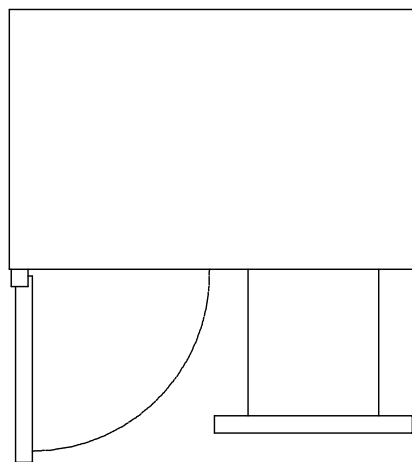
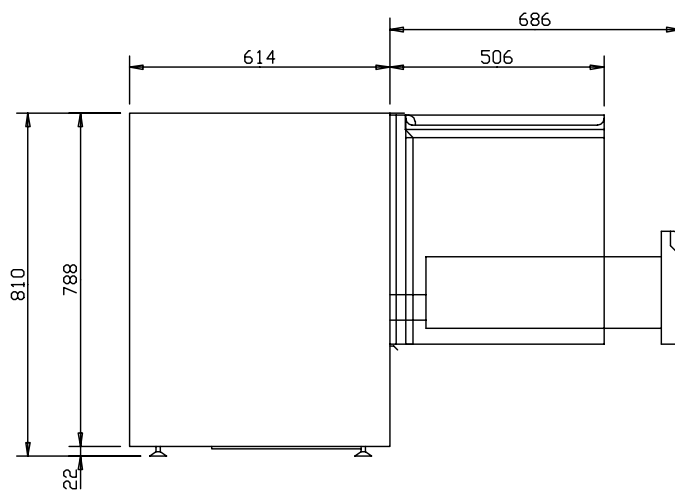
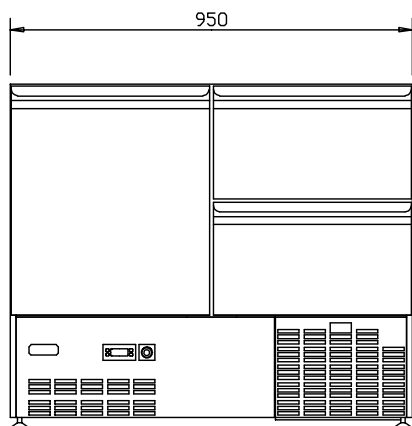


728629

EI - Electrical connection	SAL25T12 728629 230 V, 1N, 50
----------------------------	-------------------------------------



www.zanussiprofessional.com

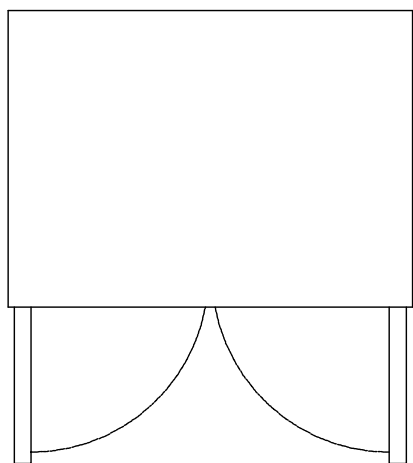
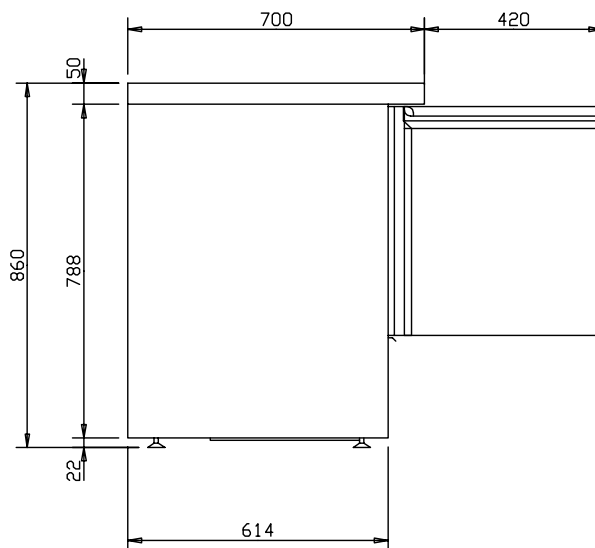
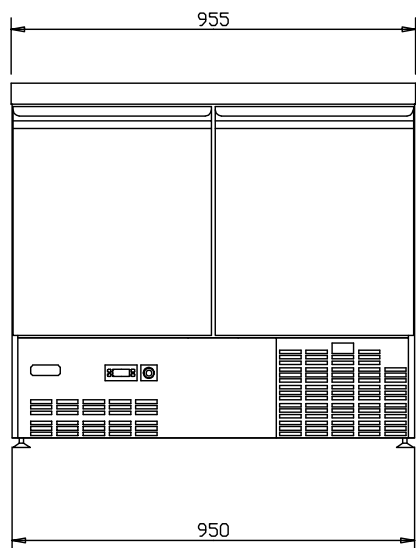


728630

EI - Electrical connection	SAL25N12 728630
	230 V, 1N, 50



www.zanussiprofessional.com

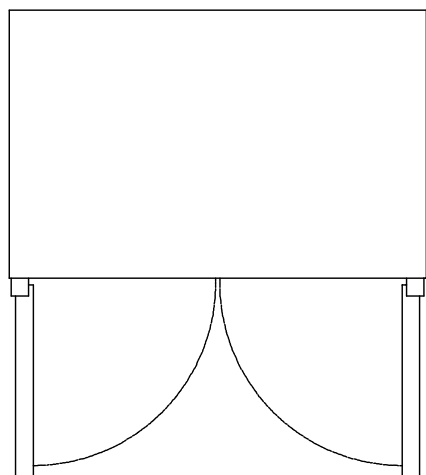
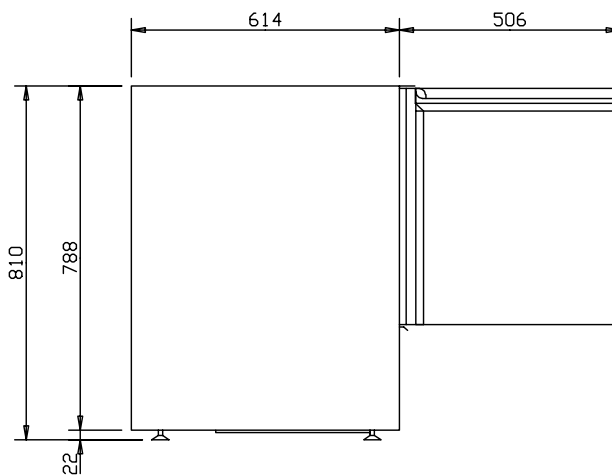
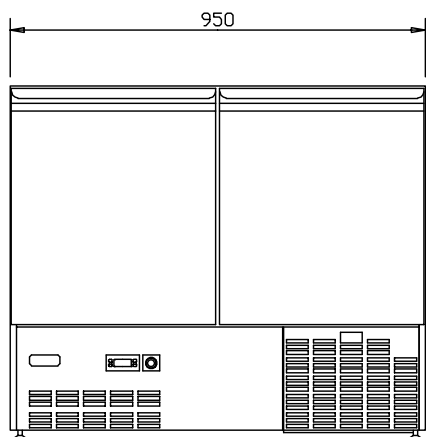


728631

	<p>SAL25T20 728631</p>
<p>EI - Electrical connection</p>	<p>230 V, 1N, 50</p>



www.zanussiprofessional.com

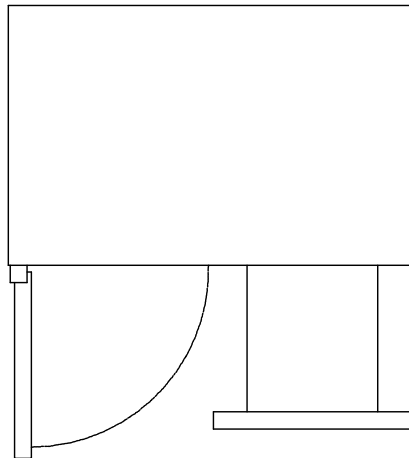
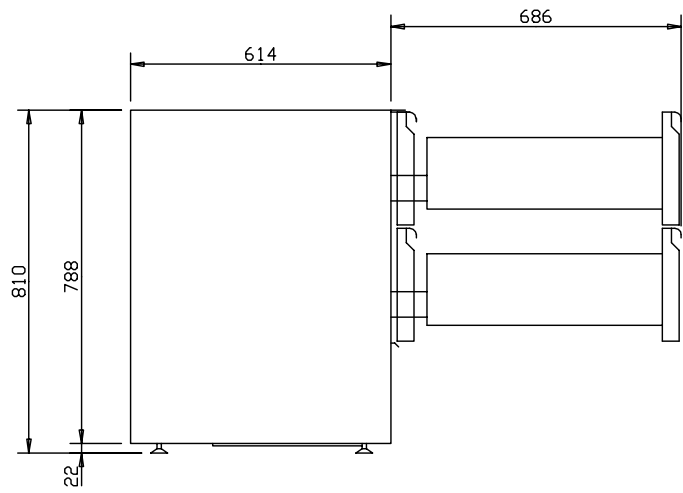
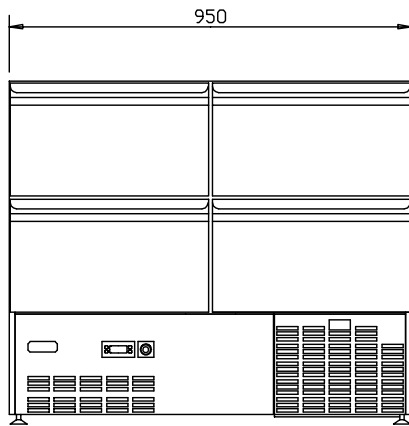


728632

	<p>SAL25N20 728632</p>
<p>EI - Electrical connection</p>	<p>230 V, 1N, 50</p>



www.zanussiprofessional.com

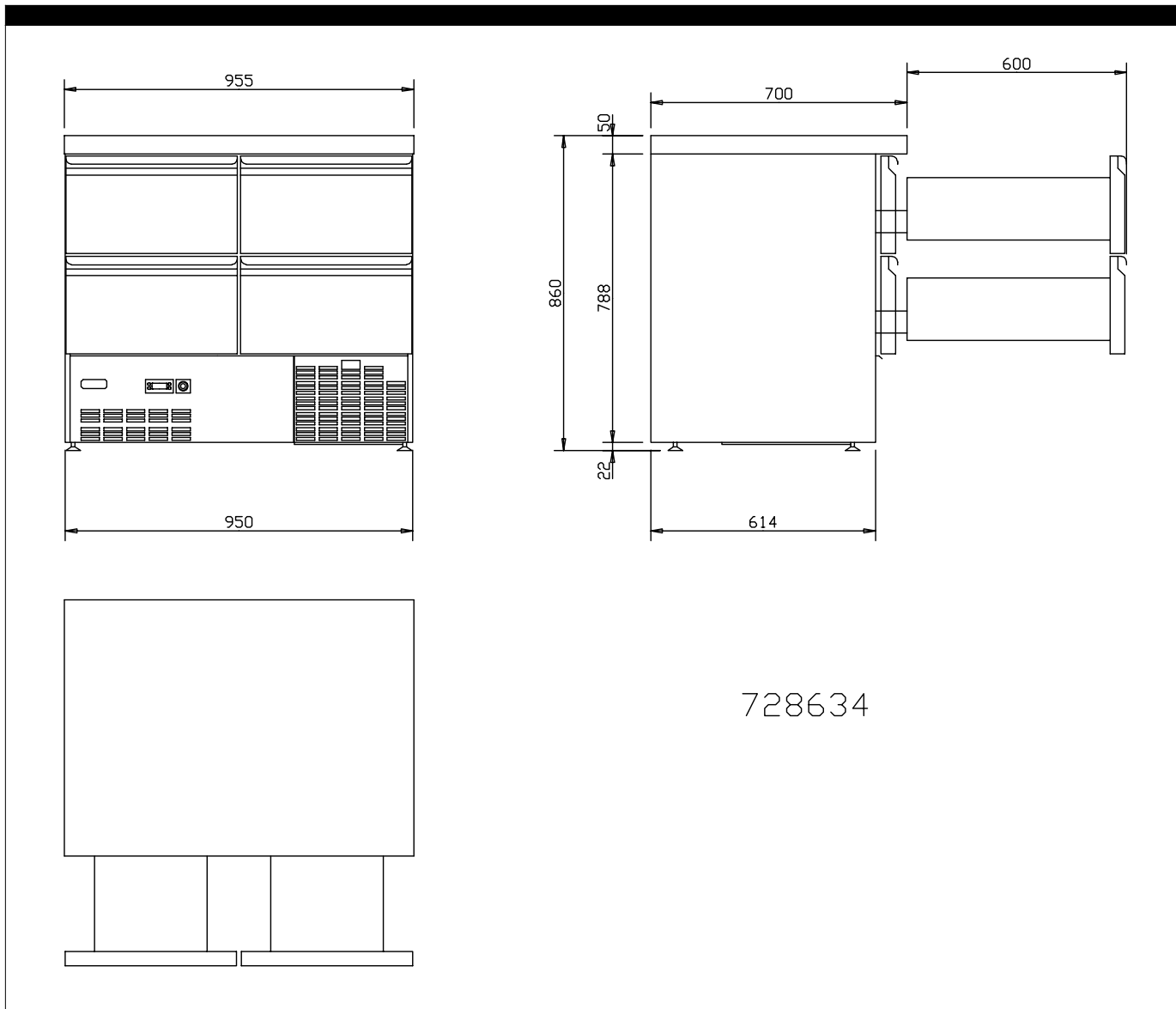


728633

	<p>SAL25N04 728633</p>
<p>EI - Electrical connection</p>	<p>230 V, 1N, 50</p>



www.zanussiprofessional.com



EI - Electrical connection	SAL25T04 728634
	230 V, 1N, 50



www.zanussiprofessional.com