

RANGE COMPOSITION

The range consists of 25 models of refrigerated tables with a capacity varying from 265 to 560 litres that offer excellent standards in terms of performance and efficiency. These models are available with built in or remote refrigerating unit and with various combinations of doors and drawers. The models detailed on this sheet are refrigerated tables with a capacity of 560 litres and with built in refrigerating unit.



726147

AU SERIES

560 LT REFRIGERATED TABLES **ZANUSSI** PROFESSIONAL

FUNCTIONAL AND CONSTRUCTION FEATURES

- ◆ Internal and external doors, front and side panels and removable worktop in 304 AISI stainless steel (excluding model RCSN4M44).
- ◆ External back in galvanized steel.
- ◆ The removable top is made in 304 AISI and is 50 mm in thickness (models RCSN4M4, RCSN4M32, RCSN4M24, RCSN4M4U).
- ◆ High-density expanded cyclopentane insulating foam, 50 mm in thickness guarantees exceptional, long-term insulation and notable energy savings.
- ◆ Legs (150mm high) in 304 AISI stainless steel - adjustable in height.
- ◆ Evaporator foamed in the backside protected from acids.
- ◆ Digital control panel allowing the easy and precise setting and control of the internal temperature.
- ◆ Completely automatic defrosting and automatic evaporation of defrosting water by hot gas.

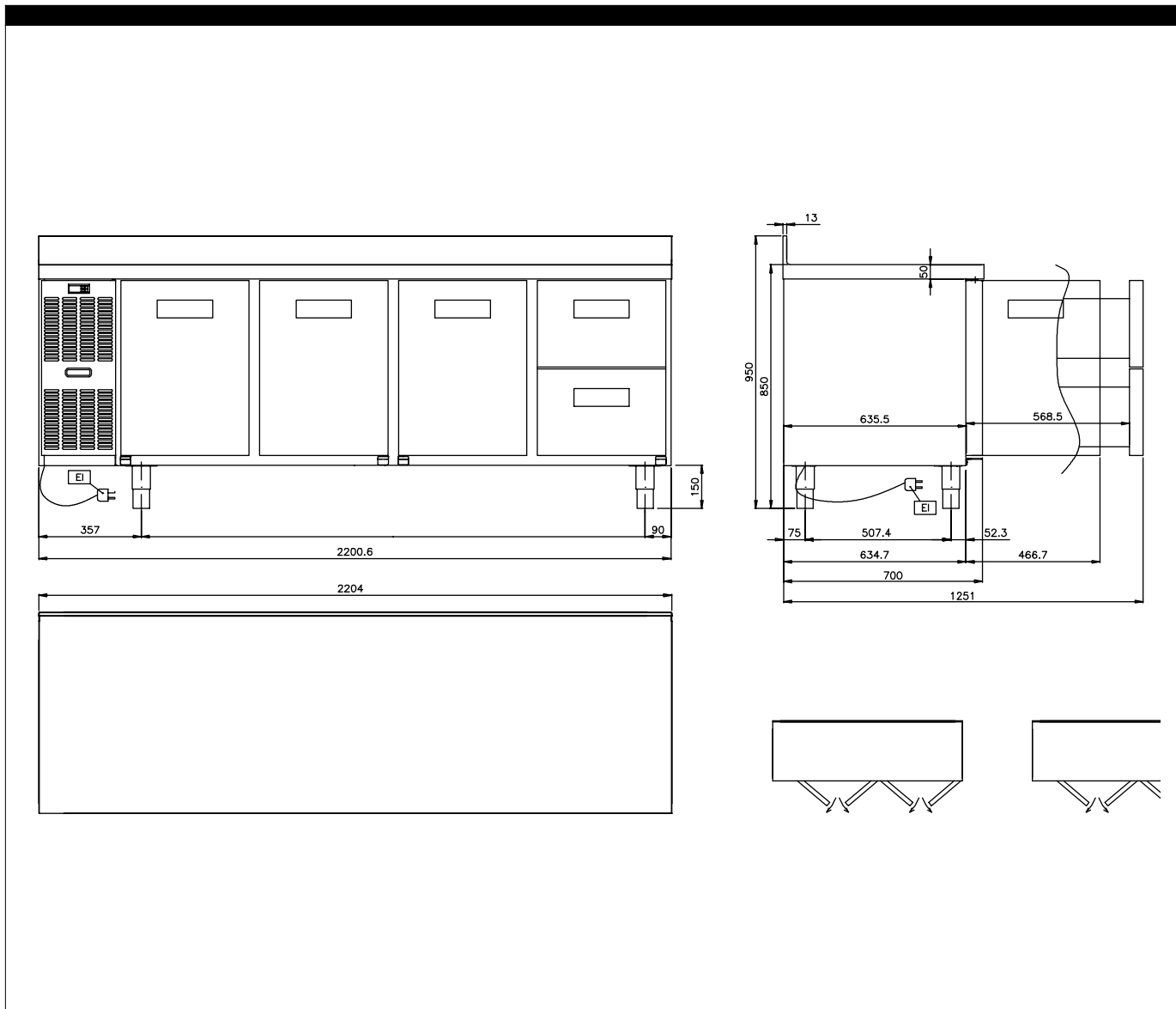
CHARACTERISTICS	MODELS					
	RCSN4M4 726147	RCSN4M4T 726670	RCSN4M32 726148	RCSN4M24 726170	RCSN4M4U 726197	RCSN4M44 727008
Operating temperature - min/max °C	-2/10	-2/10	-2/10	-2/10	-2/10	-2/10
Operating mode	Ventilated	Ventilated	Ventilated	Ventilated	Ventilated	Ventilated
Type of stainless steel						
external	304 AISI	304 AISI	304 AISI	304 AISI	304 AISI	Stainless Steel
Gross capacity (D.I.N. 8952) - l.	560	560	560	560	560	560
Control type	Digital	Digital	Digital	Digital	Digital	Digital
External dimensions - mm						
width	2201	2201	2201	2201	2201	2201
depth/with open doors	700, 1102	700, 1102	700, 1102	700, 1102	700, 1102	700, 1102
height	850	800	850	850	950	850
Internal dimensions - mm						
width	365	365	365	365	365	365
depth	580	580	580	580	580	580
height	543	543	543	543	543	543
Upstand					●	
Without worktop		●				
Top material	304 AISI	Galvanized Steel	304 AISI	304 AISI	304 AISI	Stainless Steel
Min/Max internal humidity - %	57	57	57	57	57	57
N° of drawers			2	4		
Door hinges	2 Left+2 Right	2 Left+2 Right	2 Left+1 Right	1 Left+1 Right	2 Left+2 Right	2 Left+2 Right
N° and type of grids (included)	4, GN 1/1	4, GN 1/1	3, GN 1/1	2, GN 1/1	4, GN 1/1	4, GN 1/1
N° defrost in 24 hrs.	every 6 hours	every 6 hours	every 6 hours	every 6 hours	every 6 hours	every 6 hours
Refrigerant quantity - g.	210	210	210	210	210	210
Refrigeration power - W	343	343	343	343	343	343
Power - kW						
installed-electric	0.34	0.34	0.34	0.34	0.34	0.34
Noise level - dBA	58.5	58.5	58.5	58.5	58.5	58.5
Net weight - kg.	186	178	194	198	187	186
Power supply - V, phases, Hz	230 V, 1N, 50	230 V, 1N, 50	230 V, 1N, 50	230 V, 1N, 50	230 V, 1N, 50	230 V, 1N, 50
INCLUDED ACCESSORIES						
1/1 GN GREY "RILSAN" GRID	4	4	3	2	4	4

- ◆ Operating temperature:-2/+10°C.
- ◆ High standards of hygiene and ease of cleaning are guaranteed by the rounded internal corners and easily removable supports and grids.
- ◆ Self-closing door, in positions less than 90°, equipped with a door seal to guarantee perfect closure.
- ◆ Refrigerant gas R404a.
- ◆ Possibility to install on socket.
- ◆ Kit 1/2 drawers available as accessory.
- ◆ The refrigeration unit can operate in tropical climates (+43°C ambient temperature).
- ◆ CFC and HCFC free.

ACCESSORIES	MODELS					
	RCSN4M4 726147	RCSN4M4T 726670	RCSN4M32 726148	RCSN4M24 726170	RCSN4M4U 726197	RCSN4M44 727008
KIT 2 S/S GRIDS GN1/1 FOR REFRIG. TABLES	880139		880139	880139	880139	880139
KIT 4 WHEELS (2 W/BRAKE)+4 (40MM) SPACERS	880025	880025	880025	880025	880025	880025
KIT DOOR REVERSIBILITY FOR REF. TABLES	880046	880046	880046	880046	880046	880046
KIT HACCP EKIS	922166	922166	922166	922166	922166	922166
KIT INTEGRATED HACCP-DIG. REFR. (IR33)	880205	880205	880205	880205	880205	880205
LOCK KIT	880024	880024	880024	880024	880024	880024
PLASTIC CONTAINER GN 1/1 H=150 MM	881040	881040	881040	881040	881040	881040
PLASTIC CONTAINER GN 1/1 H=65 MM	881038	881038	881038	881038	881038	881038
PRINTER FOR HACCP BASIC VERSION REFRIG.	881457	881457	881457	881457	881457	881457
S/S STRUCTURE TO SUPPORT 6 GRIDS (R+L)	880140		880140	880140	880140	880140
STRUCTURE TO SUPPORT 3 GRIDS(RIGHT+LEFT)	880047	880047	880047	880047	880047	880047
TWO ½ DRAWER KIT	880023	880023	880023	880023	880023	880023



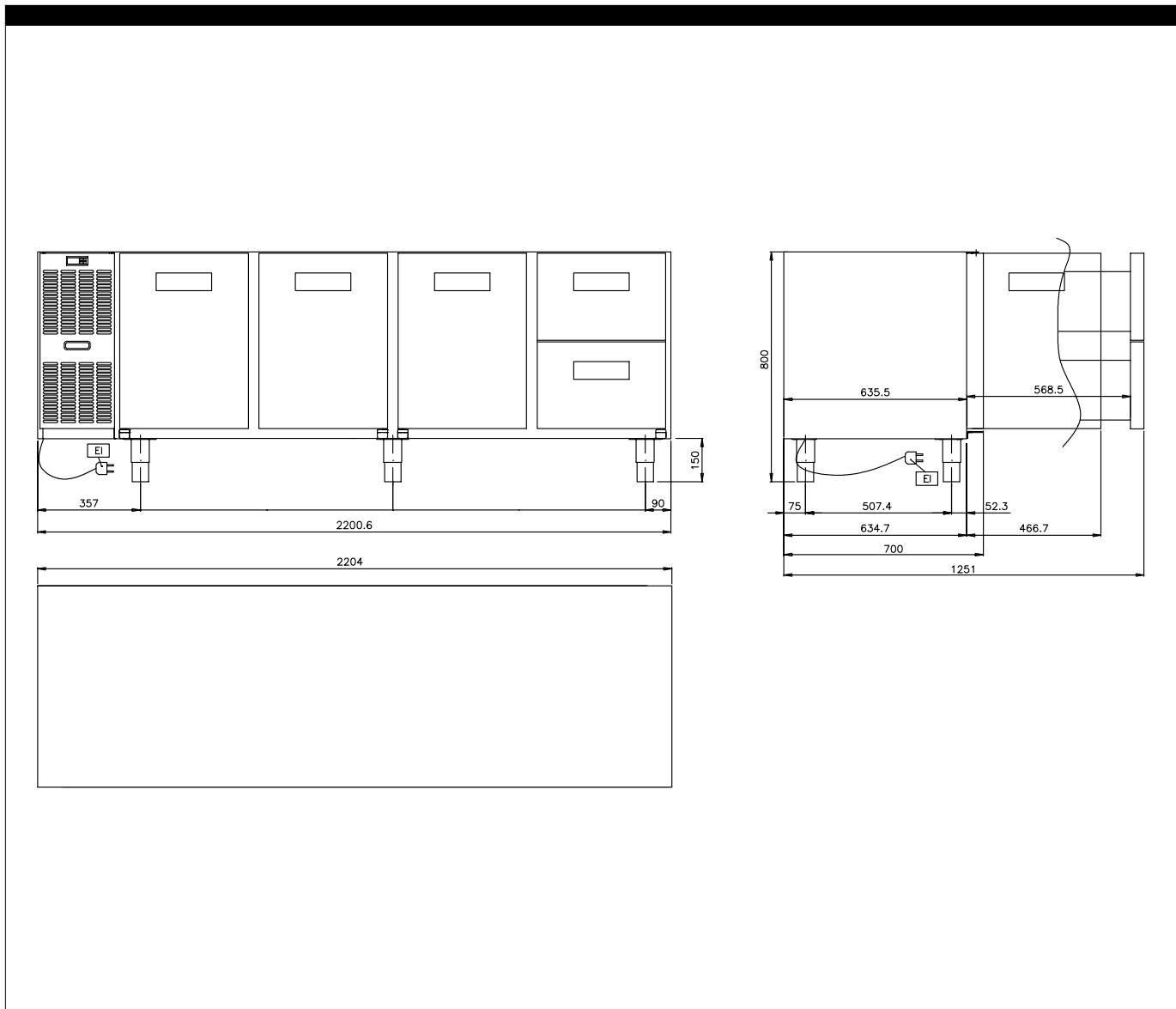
www.zanussiprofessional.com



	RCSN4M4 726147	RCSN4M32 726148	RCSN4M24 726170	RCSN4M4U 726197	RCSN4M44 727008
EI - Electrical connection	230 V, 1N, 50	230 V, 1N, 50	230 V, 1N, 50	230 V, 1N, 50	230 V, 1N, 50



www.zanussiprofessional.com



	<p>RCSN4M4T 726670</p>
<p>EI - Electrical connection</p>	<p>230 V, 1N, 50</p>



www.zanussiprofessional.com