

ROTHO[®]

TWIN^{tt}

MADE IN GERMANY

User Manual



Best in Category



The Total Home Cleaning System
Dry clean. Wet clean. Deep clean. Total clean

Welcome!

Congratulations on the purchase of your new ROTHO TWIN TT AQUAFILTER!

The TWIN TT AQUAFILTER is a high-performance device that sets new standards in household cleaning. It combines the abilities of both dry and wet vacuum cleaners with a powerful deep cleaner, enabling you to:

- Dry-vacuum dirt, dust, and pet hair
- Wet-vacuum water-based liquids
- Deep-clean carpets, hard floors, and upholstery

Thanks to the state-of-the-art technology built into the ROTHO TWIN TT AQUAFILTER, you can do all of these things faster, better, and with less effort than you have before. Properly handled and maintained, this ROTHO product will serve you well for many years. We hope you enjoy it!

Chapter 1 of this manual identifies the parts of your ROTHO TWIN TT AQUAFILTER. Chapter 2 explains how to use the TWIN TT as a dry vacuum, and Chapter 3 explains how to use the TWIN TT as a deep cleaner and wet vacuum.

Be sure to read the Important Safety Instructions section first!

If you have questions regarding the use of this device please contact our service center at:

*ROBERT THOMAS L. P.
5126 South Royal Atlanta Drive,
Tucker, GA 30084, USA*

*Phone: (770) 414-1781
Fax: (770) 934-3384*

www.rothovac.com

*TOLL FREE NUMBER
1-800-516-ROTHO
1-800-516-7684*

Sincerely,

Your ROTHO Team



READ THIS MANUAL CAREFULLY BEFORE YOU USE YOUR ROTHO TWIN TT AQUAFILTER!

Familiarity with this user manual enables you to take full advantage of the TWIN TT's power and versatility. It contains important safety precautions, as well as instructions on how to use and maintain your device. Failure to follow these safety precautions and instructions may result in damage to your vacuum cleaner or injury to you.

Keep this manual in a safe place. In the unfortunate event that you part with your ROTHO TWIN TT AQUAFILTER, be sure to give this manual to its next owner.

Table of Contents

| | |
|--|----|
| Welcome! | 1 |
| Important Safety Instructions | 5 |
| Avoid the Risk of Electric Shock | 5 |
| Avoid Injury to Yourself, Your Pets, and Your Children | 6 |
| Avoid Damaging the TWIN TT During Use | 6 |
| Maintain the TWIN TT Properly | 7 |
| Use the Electro-brush Properly | 7 |
| Chapter 1: TWIN TT Components | 9 |
| TWIN TT Base | 9 |
| Dry-Vacuuming Components | 10 |
| Deep-Cleaning Components | 11 |
| Chapter 2: Dry-Vacuuming | 13 |
| Preparing the TWIN TT for Dry-Vacuuming | 14 |
| Set Up the AQUAFILTER | 14 |
| Attach the Dry Suction Hose | 15 |
| Dry-Vacuuming Accessories | 15 |
| Carpet Nozzle | 15 |
| Upholstery Nozzle | 16 |
| Furniture Brush | 16 |
| Crevice Nozzle | 16 |
| Turbo Nozzle | 16 |
| Storing Accessories | 16 |
| Electro-brush | 17 |
| Electro-brush Parking Position | 17 |
| Dry-Vacuuming Instructions | 18 |
| Plug In the TWIN TT | 18 |
| Turn On the TWIN TT | 18 |
| Extend/Retract Telescopic Wand | 18 |
| Control Suction Strength | 18 |
| Keep the Water Filter Clean | 19 |
| Use the Electro-brush | 19 |
| Cleaning the Electro-brush | 20 |
| Reduce Cable Length | 20 |
| Turn Off the TWIN TT | 20 |
| Unplug the TWIN TT | 20 |
| Dismantle and Clean the TWIN TT | 21 |
| Remove Accessories | 21 |
| Clean the TWIN TT | 22 |
| Clean the Turbo-Nozzle | 22 |

| | |
|---|----|
| Chapter 3: Deep-Cleaning and Wet-Vacuuming | 23 |
| Prepare the TWIN TT for Deep-Cleaning..... | 24 |
| Set Up the Anti-Splash Grid | 24 |
| Add the Cleaning Solution | 25 |
| Attach the Wet Suction Hose | 25 |
| Deep-Cleaning Accessories | 26 |
| Carpet Spray Nozzle | 26 |
| Floor and Long Window Adapters | 26 |
| Upholstery Spray Nozzle | 27 |
| Short Window Adapter | 27 |
| Deep-Cleaning Instructions | 28 |
| Turn On the TWIN TT | 28 |
| Deep-Cleaning Instructions | 28 |
| Using the Window Adapter | 29 |
| Using the Floor Adapter | 29 |
| Storing the Spray Nozzle | 29 |
| Wet-Vacuuming Liquids | 30 |
| Dismantle and Clean the TWIN TT | 31 |
| Remove Accessories | 31 |
| Clean the TWIN TT | 32 |
| Remove the Casing Cover for Cleaning | 32 |
| Appendix A: Cleaning Filters | 33 |
| Cleaning the HEPA Filter | 33 |
| Replace the MKA Micro-Filter | 33 |
| Appendix B: Troubleshooting | 35 |
| The TWIN TT won't start..... | 35 |
| Dust comes out of the vacuum or intake nozzles while dry-vacuuming | 35 |
| Suction strength weakens over time..... | 35 |
| Suction strength is too low | 36 |
| Excessive water drops form on the inside of the casing cover..... | 36 |
| Dirty water comes out of the top of the TWIN TT base..... | 36 |
| Suction strength suddenly decreases..... | 36 |
| Water is leaking out of the spray nozzle | 36 |
| Large amounts of water gather in the suction area | 36 |
| Large quantities of foam accumulate in the recovery tank | 37 |
| Cleaning solution does not spray when check valve handle is pressed | 37 |
| Vacuum is not removing cleaning solution from carpet | 37 |

Important Safety Instructions

READ ALL INSTRUCTIONS BEFORE USING THE ROTHO TWIN TT AQUAFILTER

Read this section thoroughly before you use the ROTHO TWIN TT AQUAFILTER. This section contains important safety precautions for using and maintaining this device. The manufacturer is not responsible for damages or injuries that result from failure to follow these instructions.

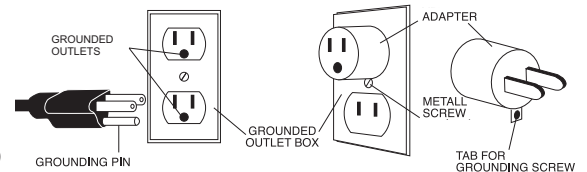
The manufacturer's warranty is void if you use this product for a purpose that it is not intended.

Should the device be damaged, waterlogged, or exposed to rain, do not attempt to examine or repair it yourself. Repair work should only be performed by an electrician or other qualified personnel.

 **WARNING - TO REDUCE THE RISK OF FIRE, ELECTRIC SHOCK OR INJURY**

Avoid the Risk of Electric Shock

The ROTHO TWIN TT AQUAFILTER is an electrical device, which is solely suitable for household purposes. As with any electrical device, proper precautions should be taken during use. Improperly powering the device can result in damage to the device, electric shock to the user, and fire hazard.



The TWIN TT uses a grounded plug. This plug should only be connected to a grounded 120 volt AC electrical outlet that complies with your local electrical code. Do not replace the plug provided with the TWIN TT. If for some reason the plug becomes damaged, have a qualified electrician repair the plug.

If a grounded outlet is unavailable, you may use a temporary grounding adapter. Make sure the adapter is properly installed using a grounding screw. Follow the instructions provided with the adapter to ensure that you use it properly. Please note that temporary grounding adapters are not permitted in Canada according to Canadian electrical code.

A temporary grounding adapter is not a permanent solution! Have a qualified electrician install a properly grounded outlet at your earliest convenience.

Always turn off the device before unplugging the power cord. Always turn off and unplug the device when not in use or before cleaning or maintenance to avoid electric shock. The device uses a switch, motor, and similar electric parts that can ignite flammable materials and lead to explosions. Avoid fire and explosion hazards by following these guidelines:

- Do not operate the device in areas containing flammable gases.
- Do not vacuum fiery, flammable, or combustible materials or liquids.
- Do not use the vacuum cleaner in areas where such materials are used or stored.

Do not use outdoors or on wet surfaces. Do not use the device if the power cord or plug is damaged. If the appliance is not working as it should, has been dropped, damaged, left outdoors or dropped in water, return it to a service center. Protect the power cord from damage by following these guidelines:

- Do not lift or unplug the device by pulling the power cord.
To unplug, grasp the plug, not the cord.
- Do not stretch, cut, or vacuum over the power cord.
- Keep the cord away from hot surfaces.
- Hold the plug while spooling the power cord to prevent lashing.

Avoid Injury to Yourself, Your Pets, and Your Children

To protect yourself, your pets, and your children from being injured while using the TWIN TT, follow these guidelines:

- Do not place clothing, hair, fingers or other body parts near the vacuum cleaner openings.
- Do not rest the vacuum cleaner on stairs.
- Do not keep the vacuum cleaner upright when in use.
- Do not allow children near the vacuum cleaner.
- Do not attempt to vacuum people or animals.
- Do not allow to be used as a toy. Close attention is necessary when used by or near children.
- Do not handle plug with wet hands.

Avoid Damaging the TWIN TT During Use

The ROTHO TWIN TT AQUAFILTER is a durable device, but is still vulnerable to damage under certain conditions. Protect your vacuum from damage by following these guidelines:

- Use only as described in this manual.
- Only use the TWIN TT with original accessories or their authorized replacements.
- Do not use the TWIN TT outdoors or in harsh environments. It is intended for household use and not for commercial purposes.
- Do not use the TWIN TT for dry-vacuuming without preparing the AQUAFILTER according to the instructions in this manual.
- Do not insert any objects into the vacuum cleaner. Be sure to remove any objects that become lodged accidentally.
- Do not use with any opening blocked, keep free of dust lint, hair and anything that may reduce airflow.
- Do not vacuum burning embers, such as cigarettes, matchsticks, or hot ashes.
- Do not vacuum fine dusts, toner, soot, flour, or other extremely fine material.
- Do not use the TWIN TT without a motor protection filter.
- Do not vacuum large quantities of liquids from basins or other containers. The TWIN TT is not designed for industrial liquid siphoning.
- Do not deep-clean or wet-vacuum without the recovery tank to collect the dirty solution.
- Use extra care when cleaning on stairs.
- To reduce the risk of fire and electric shock due to internal component damage do not use a flammable or combustible liquid to clean a floor. Use only ROTHO ProTex cleaning concentrate which is intended for use with this appliance.

Maintain the TWIN TT Properly

Properly used and maintained, the ROTHO TWIN TT AQUAFILTER will serve you well for many years. Failure to regularly maintain the device can result in damage and possibly injury. Follow these guidelines:

- Clean the vacuum cleaner regularly to avoid dust, lint, and hair buildup.
- Clean or change the vacuum cleaner's filters at regular intervals.
- Empty and clean the device after each use. Dirty water and damp parts can lead to the breeding of bacteria and fungus.
- Use only original ROTHO parts to ensure error-free operation. Replacement parts and cleaning supplies are available at authorized ROTHO dealers and directly through ROTHO customer service.
- Before disposing of the ROTHO TWIN TT AQUAFILTER, cut the power plug off of the power cord. Then, follow your local laws regarding the disposal of electrical appliances.

Use the Electro-brush Properly

The electro-brush is an electrically-powered accessory and should be treated with special care. Power for the brush is supplied through the suction hose and telescopic wand. Treat the wand and hose as you would any power cord. Do not attempt to power the electro-brush except as instructed in this manual.

Follow these guidelines to protect you, your electro-brush, and your carpets:

- Do not vacuum liquids or damp dirt with the electro-brush. It is only intended for use on dry flooring and carpets. Be sure to let damp, recently deep-cleaned, or shampooed flooring and carpet dry completely before vacuuming. Vacuuming water with the electro-brush can result in electric shock.
- Do not clean the electro-brush with water. Use a dry or slightly damp cloth. Moisture in the electro-brush can lead to electric shock.
- Do not vacuum large, heavy or sharp edged objects with the electro-brush. These can clog and damage the brush.
- Do not use the electro-brush on precious or hand-knotted carpets, such as berber or longnap. The electro-brush may pull threads from these types of material.
- Do not place clothing, hair, fingers or other body parts near the rotating electro-roller. Injury can result.
- Always turn off this appliance before connecting or disconnecting either motorized nozzle, hose and / or telescopic wand.
- The hose contains electric wires. Do not use when damaged, out or punctured. Avoid picking up sharp objects.

SAVE THESE INSTRUCTIONS!

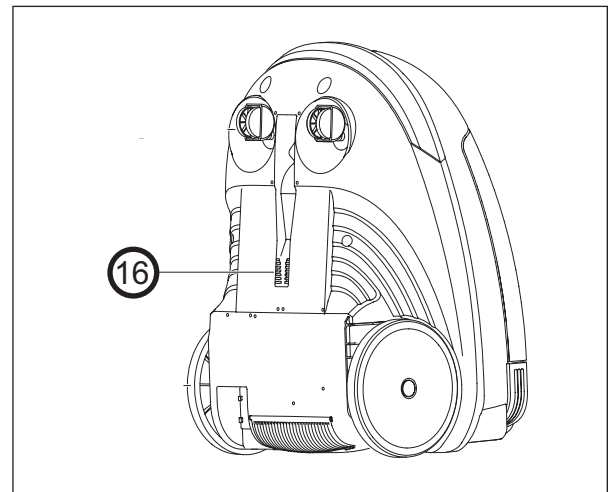
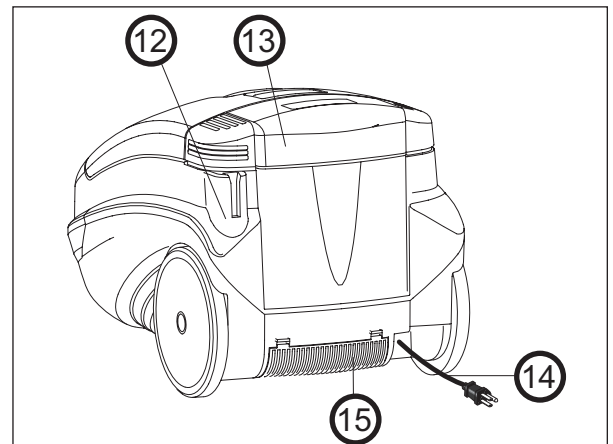
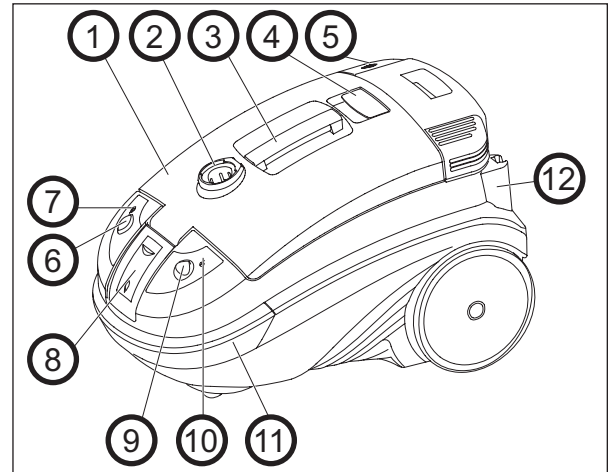
Chapter 1: TWIN TT Components

This chapter identifies the components of the TWIN TT that will be discussed throughout this manual. You should familiarize yourself with this section to better understand your ROTHO TWIN TT AQUAFILTER.

TWIN TT Base

The base unit of the TWIN TT AQUAFILTER consists of the following components:

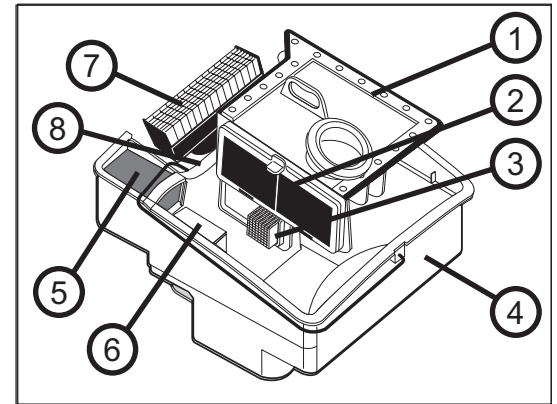
1. Casing cover
2. Suction hose socket
3. Carrying handle
4. Cover lock
5. Cable rewind button
6. Injection pump power button
7. Injection pump LED indicator
8. Injection pump and electro-brush socket cover
9. One-Touch power button
10. Suction strength LED indicator
11. Furniture guard strip
12. Storage bracket (parking position)
13. Accessory box
14. Power cable
15. MKA micro-filter cover
16. Storage bracket



Dry-Vacuumping Components

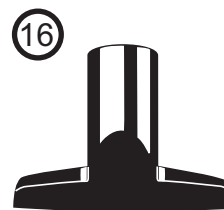
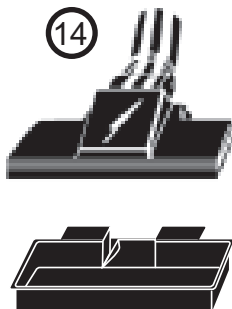
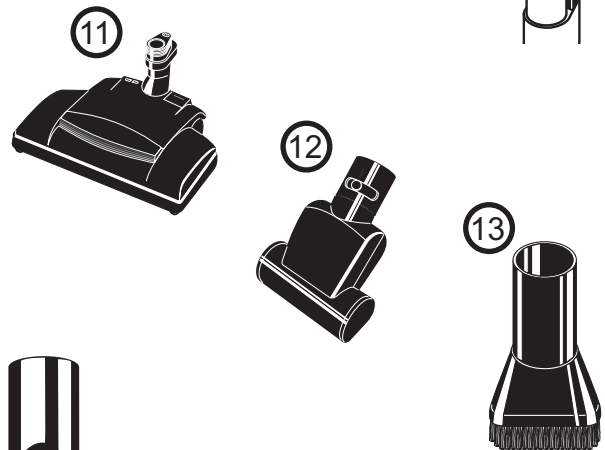
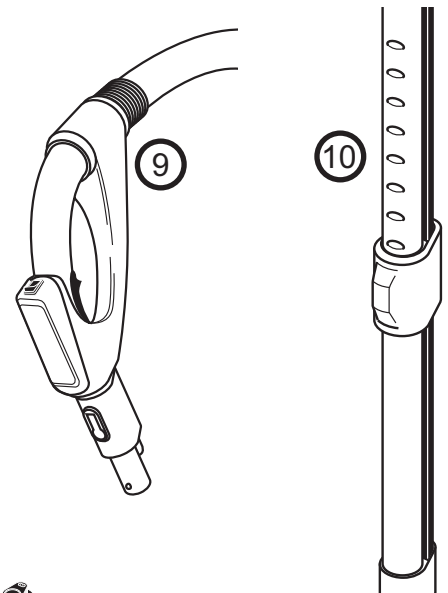
The ROTHO TWIN TT AQUAFILTER is equipped for dry-vacuumping out of the box. The dry-vacuumping filter assembly is already in the TWIN TT base, and consists of the following components:

1. AQUAFILTER
2. Foam filter
3. Suction filter
4. Recovery tank
5. Wet filter
6. Floater
7. HEPA filter
8. Motor protection filter (under HEPA filter)



The TWIN TT also includes the following dry-vacuumping accessories, which are packaged in the brown cardboard box included with your TWIN TT:

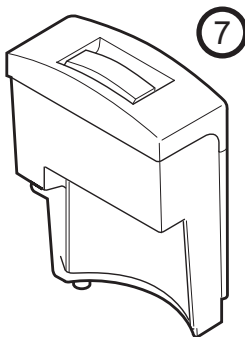
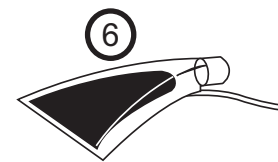
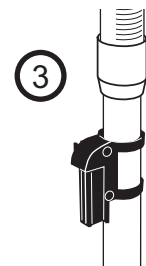
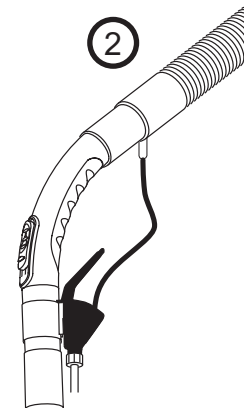
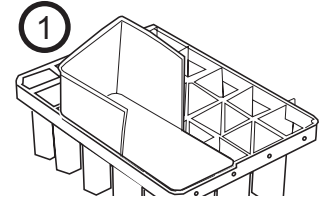
9. Dry suction hose (with integrated electrical cord and power switch)
10. Telescopic wand (with integrated electrical connectors)
11. Electro-brush
12. Turbo nozzle
13. Furniture brush
14. Carpet nozzle with parquet shoe
15. Crevice nozzle
16. Upholstery nozzle



Deep-Cleaning Components

The ROTHO TWIN TT AQUAFILTER also includes the following components for deep-cleaning, which are packaged in the blue cardboard box included with your TWIN TT:

1. Anti-splash grid
2. Wet suction hose (with integrated cleaning solution tube and check valve handle)
3. Telescopic wand (with parking bracket)
4. Siphon nozzle
5. Carpet spray nozzle (with solution tube and wand clips)
6. Upholstery spray nozzle (with solution tube and wand clips)
7. Cleaning solution tank
8. Long window adapter
9. Short window adapter
10. Floor adapter
11. ROTHO ProTex cleaning concentrate (with measuring cap)



Chapter 2: Dry-Vacuumping

This chapter contains instructions for using the ROTHO TWIN TT AQUAFILTER as a dry vacuum cleaner on carpets, hard floors, and upholstery.

As a dry vacuum, the ROTHO TWIN TT AQUAFILTER can clean dry dirt, dust, and animal hair. Do not attempt to vacuum liquids or large quantities of fine dust (such as flour or cocoa powder).

To provide high-performance cleaning power the ROTHO TWIN TT AQUAFILTER uses a water filtering system, even when dry-vacuumping. Do not dry-vacuum without preparing the AQUAFILTER according to these instructions, as damage to your device may result.

The sections in this chapter explain how to prepare the TWIN TT for dry-vacuumping, how to select the appropriate accessories, how to use the TWIN TT to dry-vacuum, and how to dismantle and clean the TWIN TT after use.

For your safety and the safety of your device, read this entire chapter before you begin dry-vacuumping.

Preparing the TWIN TT for Dry-Vacuuming

Before you begin vacuuming, you must prepare the TWIN TT by setting up the AQUAFILTER and attaching the dry suction hose.

Set Up the AQUAFILTER

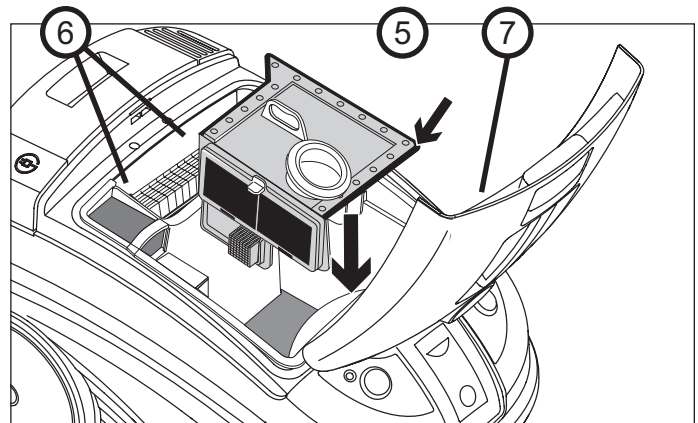
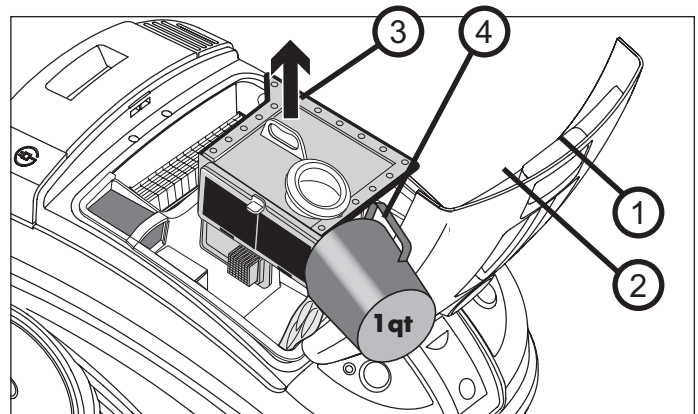
To prepare the AQUAFILTER for dry-vacuuming, do the following:

1. Lift the cover lock.
2. Open the casing cover.
3. Take hold of the small handle at the center of the AQUAFILTER and remove the AQUAFILTER from the Recovery Tank.
4. Fill the recovery tank with approximately 1 quart of clean water. Use the waterline label on the inside of the recovery tank to help you.

Note: A metal handle is attached to the recovery tank and folds down to one side. If desired, you can use this handle to remove the recovery tank from the vacuum and carry it to a faucet.

5. Return the AQUAFILTER to the recovery tank. Make sure that the seal along the top edge of the AQUAFILTER fits snugly into the recovery tank.
6. Make sure the wet filter and HEPA filter are firmly in place.
7. Close the casing cover. Check the casing cover handle to make sure the cover is fully closed.

The AQUAFILTER is ready for dry-vacuuming.

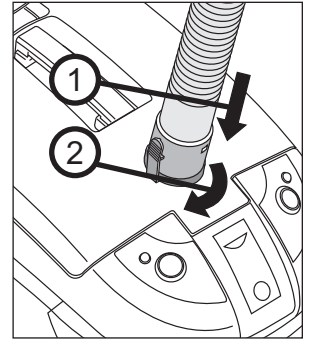


Attach the Dry Suction Hose

You must connect the dry suction hose to the TWIN TT before you begin vacuuming. One end of the hose attaches to the TWIN TT. The other end is a handle for mounting accessories. To attach the dry suction hose to the TWIN TT, do the following:

1. Insert the dry suction hose connector into the hose socket on the top of the device.
2. Turn the connector left or right until it locks into place.

The dry suction hose is ready to be fitted with an accessory.



Dry-Vacuuming Accessories

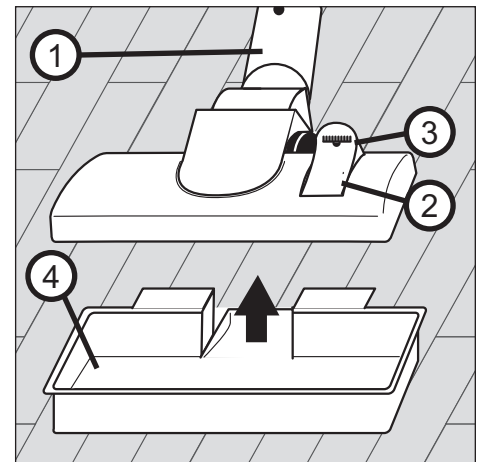
Before you begin vacuuming, you should attach a vacuuming accessory to the suction hose handle. It is important to choose the appropriate accessory for the surface you will be vacuuming. Dry-vacuuming accessories are packaged in the brown cardboard box included with your TWIN TT.

First, if you will be vacuuming low or high places, such as the floor or ceiling, attach the telescopic wand. To attach the telescopic wand, insert the end of the suction hose handle into the top of the wand. Make sure the electrical connector on the handle slides into the electrical outlet on the wand. An audible click indicates a successful connection. Second, select one of the following accessories:

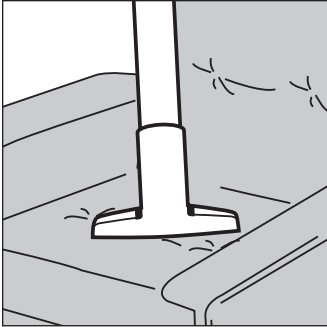
Carpet Nozzle

The carpet nozzle accessory is designed for vacuuming carpets and hard floors (such as stone, wood, tile, or other synthetic material). It has a protruding brush and a removable parquet shoe. For best results, use the carpet nozzle with the telescopic wand. To prepare the carpet nozzle, do the following:

1. Insert the end of the telescopic wand or suction hose handle into the end of the carpet nozzle. The aglet must snap into the hole of the carpet nozzle.
2. For vacuuming carpets, retract the protruding brush by pushing the front end of the brush lever downward.
3. For vacuuming linoleum tile or stone floors, extend the protruding brush by pushing the rear end of the brush lever downward.
4. For vacuuming sensitive surfaces, such as hard wood or ceramic tile floors, retract the protruding brush and place the parquet shoe snugly over the bottom of the carpet nozzle.

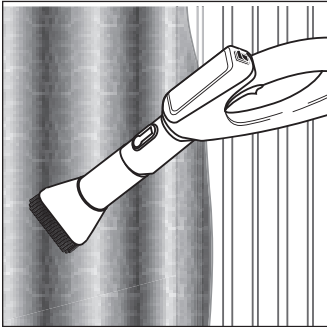


You are now ready to begin vacuuming. To remove the carpet nozzle later, press the Unlock button on the bottom of the telescopic wand.



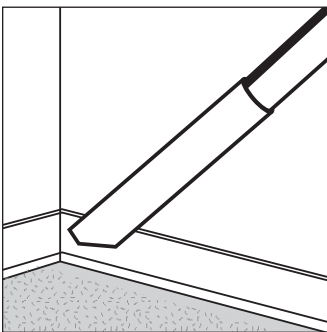
Upholstery Nozzle

The upholstery nozzle accessory should be used on cushions, upholstery, mattresses, and uneven areas. For best results, attach the upholstery nozzle directly to the suction hose handle instead of using the telescopic wand.



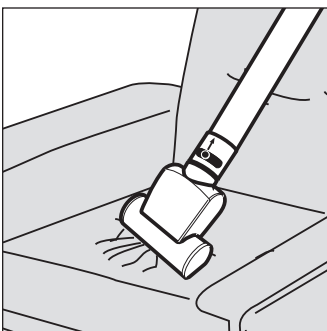
Furniture Brush

The furniture brush accessory should be used on sensitive surfaces, such as furniture, throws, curtains, clothes, or insect nets. For best results, attach the furniture brush directly to the suction hose handle instead of using the telescopic wand.



Crevice Nozzle

The crevice nozzle accessory should be used to clean crevices, corners, grooves, and other narrow areas. For best results, attach the crevice nozzle directly to the suction hose handle instead of using the telescopic wand.



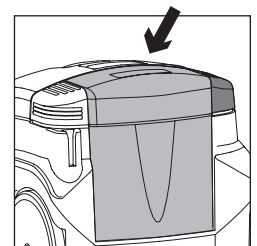
Turbo Nozzle

The turbo nozzle accessory uses an air-powered rotating brush to loosen stubborn filth particles. It is ideal for vacuuming animal hairs from upholstery or small areas, such as stairs. For best results, attach the turbo nozzle directly to the suction hose handle instead of using the telescopic wand.

Do not vacuum animals or people with the turbo nozzle. Injury may result if hair or garments are pulled into the rotating brush.

Storing Accessories

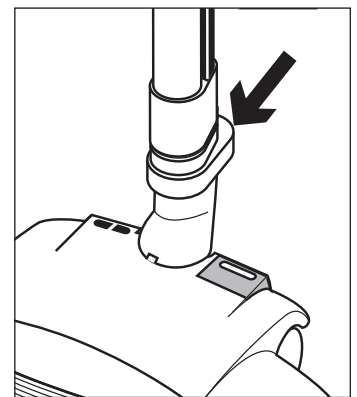
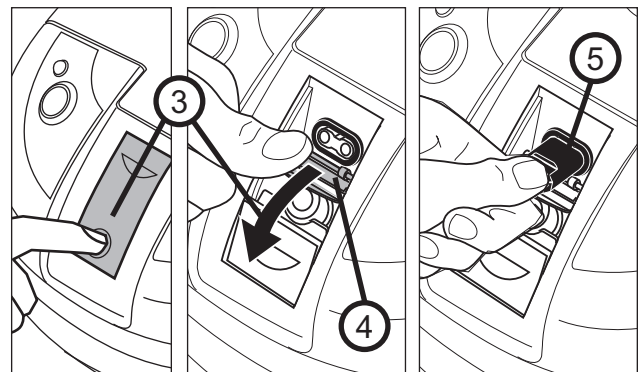
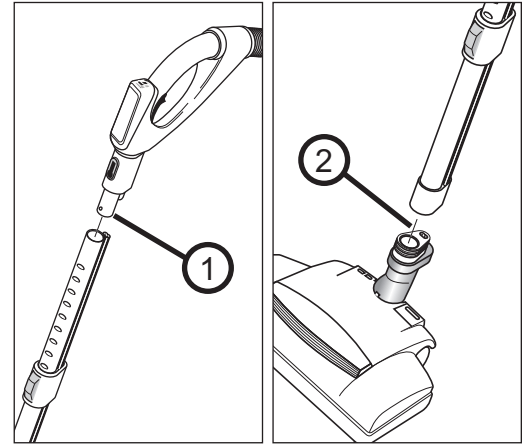
During dry-vacuuming, use the accessory box to store small accessories.



Electro-brush

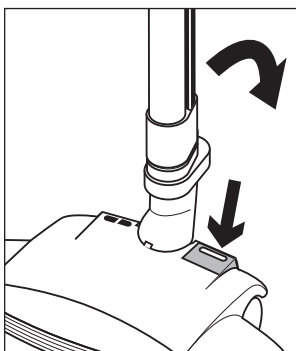
The electro-brush accessory uses a motor-powered brush to loosen stubborn filth particles. It is ideal for vacuuming carpets and textile floors, and can often provide better results than the carpet nozzle. To prepare the electro-brush, do the following:

1. If you haven't already, attach the telescopic wand to the suction hose handle by inserting the end of the suction hose handle into the top of the wand. Make sure the electrical connector on the handle slides into the electrical outlet on the wand. An audible click indicates a successful connection.
2. Insert the end of the telescopic wand into the end of the electro-brush. Make sure the electrical connector on the wand slides into the electrical outlet on the electro-brush. An audible click indicates a successful connection.
3. Open the pump cover on the TWIN TT vacuum by pressing on the lowest part of the cover and sliding the cover downward until it stops.
4. Flip the plug cover downward to reveal a small electrical outlet.
5. Insert the plug from the end of the suction hose into the electrical outlet.



When properly connected, the electro-brush's electrical connection plugs into the telescopic wand. The telescopic wand plugs into the suction hose. The suction hose plugs into the TWIN TT vacuum.

You are now ready to begin vacuuming. To remove the electro-brush from the telescopic wand later, press the locking latch downward with your foot and pull up on the wand.



Electro-brush Parking Position

When the telescopic wand is upright and locked in place, the electro-brush is in the parking position and will not turn on. Press the foot switch on the left side of the electro-brush to release the telescopic wand from the upright parking position.

To return the electro-brush to the parking position, straighten the telescopic wand until it locks in place.

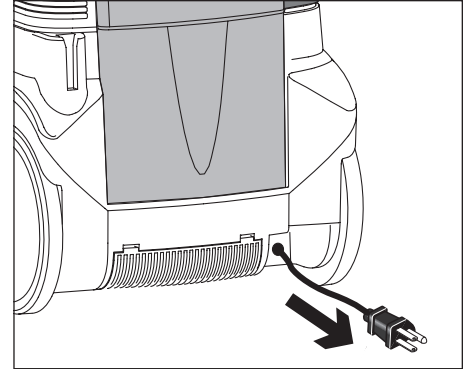
Dry-Vacuumping Instructions

Once you have prepared the filter and attached the desired accessories, you can plug in the TWIN TT, turn it on, and begin vacuuming. Here are a few things you'll need to know how to do during normal operation:

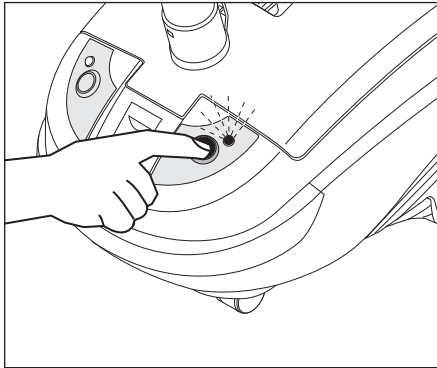
Plug In the TWIN TT

The TWIN TT's power cord is located on the rear of the device. To extract the power cord, simply hold the plug and pull slowly until the cable reaches the desired length.

Connect the plug to a grounded electrical outlet. For more information about properly grounding the device, see *Avoid the Risk of Electric Shock* on page 5.



Turn On the TWIN TT



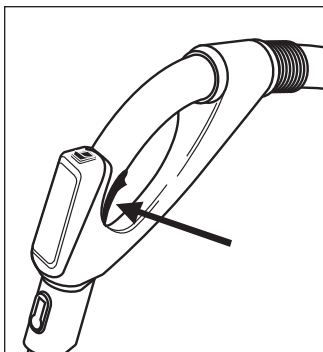
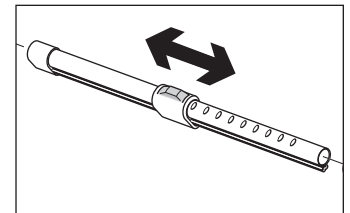
Use the One-Touch power button to turn the device on and off, as well as to regulate suction strength.

To use the low-strength ECO-setting, press the One-Touch power button briefly. The vacuum turns on and the LED above the power button turns green.

For maximum suction strength, press and hold the One-Touch power button. Do not release the button yet. The vacuum turns on and the LED above the power button turns green, then yellow. Release the button when the LED turns yellow.

Extend/Retract Telescopic Wand

To make the telescopic wand longer or shorter, keep a firm grip on the suction hose handle. Place your other hand on the clamping device and move the clamp up or down to the desired location. Release the clamping device to lock the wand at its new length.



Control Suction Strength

Use the supplementary air switch on the suction hose handle to regulate suction strength. When the air switch is closed, the attached accessory operates at full suction strength. Open the switch to reduce the suction strength.

The supplementary air switch should only be opened during dry-vacuumping. Keep the switch closed during wet-vacuumping and deep cleaning.

Keep the Water Filter Clean

To achieve the best filtering possible, you should empty the recovery tank and rinse the AQUAFILTER every 40 to 60 minutes of continuous operation, if you can see many water droplets on the inside cover above the filter, or if dirty water seeps out of the air intake located on the top of the TWIN TT base. See Clean the TWIN TT on page 22 for more information.



During your first cleaning...

The TWIN TT collects large quantities of dirt that other vacuums may miss. During first-time cleanings, you may need to clean the AQUAFILTER every 10-20 minutes, especially if using the electro-brush.

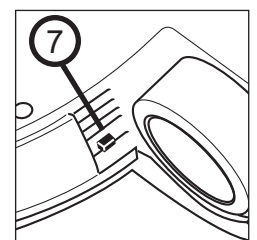
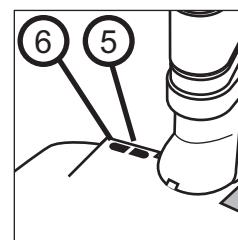
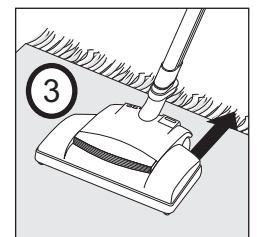
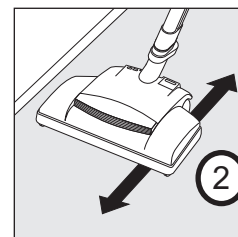
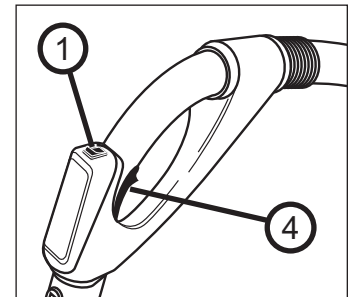
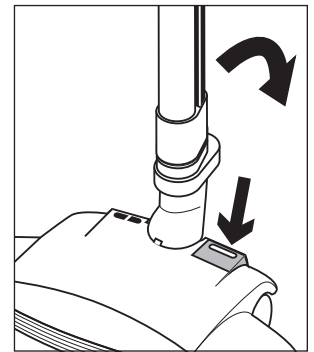
Use the Electro-brush

Before using the electro-brush accessory, make sure to:

- Turn the TWIN TT on before activating the electro-brush.
- Press the foot switch on the left side of the electro-brush to release the telescopic wand from the upright parking position.

The electro-brush will not turn on if the vacuum is off or the telescopic wand is locked in the upright position. When using the electro-brush, follow these guidelines to achieve the best results:

1. Turn the electro-brush on and off using the thumb-switch on the suction hose handle.
2. Move the electro-brush parallel to carpet edges. Vacuum slowly!
3. To clean fringes, move the electro-brush off of the carpet across the fringes.
4. If the electro-brush is difficult to move, as is possible in the case of fine velour or similar carpets, use the supplementary air switch to reduce the suction strength. See Control Suction Strength on page 18 for more information. If this does not solve the problem, clean the electro-brush roller. See Cleaning the electro-brush on page 20 for instructions.
5. The green light on the right side of the electro-brush indicates the brush is functioning normally.
6. The red light on the right side of the electro-brush indicates that there is an obstruction in the electro-brush. See Cleaning the electro-brush on page 20 for instructions.
7. If an obstruction is detected, the electro-brush automatically turns off and will not turn on until you remove the obstruction and press the red reset button located on the back side of the electro-brush.

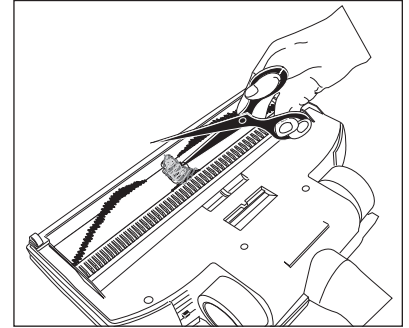


Cleaning the Electro-brush

The electro-brush rollers can become dirty, tangled, or obstructed. Before attempting to clean the rollers, do the following:

- Turn off the electro-brush.
- Turn off the TWIN TT vacuum cleaner.
- Unplug the TWIN TT vacuum cleaner from the wall socket.

After you turn off and unplug the vacuum cleaner and electro-brush, turn the electro-brush over and look for the cause of the obstruction. Check the area around the roller for small objects or clogs. Use scissors to cut any hairs that have become wound around the brush roller.

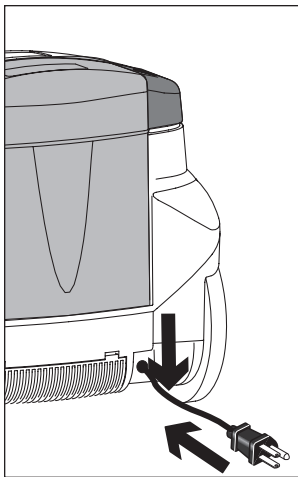
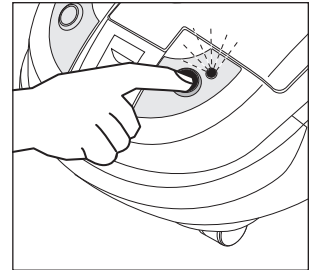


Reduce Cable Length

If the extendable electric cord becomes too long, you can retract it using the rewind button on top of the TWIN TT. When rewinding the cord, hold the plug in your other hand to keep it from lashing and make sure the cord is not tangled.

Turn Off the TWIN TT

To turn off the ROTHO TWIN TT AQUAFILTER, press the one-touch power button briefly. If you have been using the electro-brush, make sure you turn it off using the thumb-switch on the suction hose handle.



Unplug the TWIN TT

When you are done using the TWIN TT, unplug the power cord from the socket and retract the cord using the rewind button on top of the TWIN TT. When rewinding the cord, hold the plug in your other hand to keep it from lashing and make sure the cord is not tangled.

Dismantle and Clean the TWIN TT

This section explains how to remove accessories and clean the TWIN TT's dry-vacuuming components.

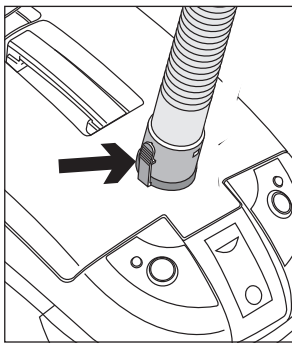


Clean your ROTHO TWIN TT after each use!

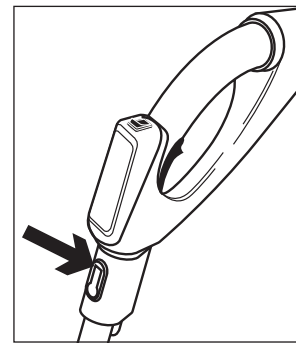
Dirty water and damp parts can lead to the breeding of bacteria and fungus.

Remove Accessories

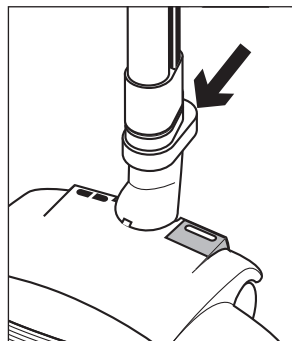
To remove specialized accessories, such as the dry suction hose, telescopic wand, and electro-brush from the TWIN TT, do the following:



To remove the dry suction hose from the TWIN TT, first unplug the electro-brush electrical connector from the outlet on the TWIN TT base. Then, press and hold the feather-clip and turn the hose in the socket until it is released.



To remove the telescopic wand from the dry suction hose handle, press the unlock button located just above the telescopic wand.

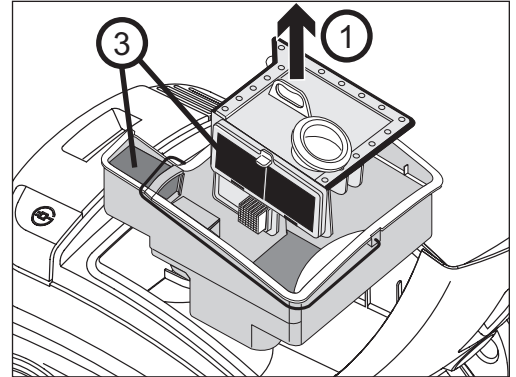


To remove the telescopic wand from the electro-brush, push down on the release handle located just below the telescopic wand.

Clean the TWIN TT

You should clean the TWIN TT after each vacuuming. Be sure to clean the vacuum over a sink or other basin to keep your floor and carpets clean. To clean the TWIN TT, do the following:

1. Open the casing cover and remove the AQUAFILTER and recovery tank.
2. Remove large deposits of dirt and filth from the recovery tank to avoid clogging your sink or toilet. Dispose of these deposits in a trash bag and empty the remaining dirty water in the recovery tank into a sink or toilet.
3. Remove all filters from the recovery tank and AQUAFILTER.
4. Remove all lint and deposits and thoroughly rinse the AQUAFILTER, recovery tank, filters, suction hose, telescopic wand, and accessory nozzles in clean water. Do not use soap or detergent and do not clean parts in a dishwasher.
5. Using a soft cloth, clean and dry the surfaces of the TWIN TT inside the casing cover and the area usually occupied by the recovery tank. Do not use soap or detergent and do not place the unit in a dishwasher.
6. Dry all components thoroughly. Damp parts can lead to the breeding of mildew, bacteria, and fungus.
7. Return the filters to the recovery tank and AQUAFILTER and return the recovery tank and AQUAFILTER to the TWIN TT.

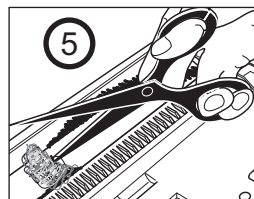
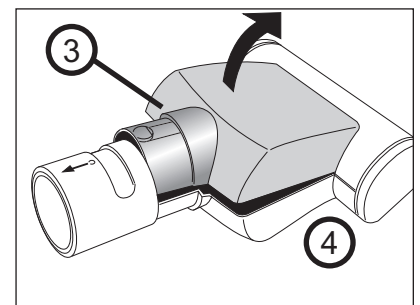
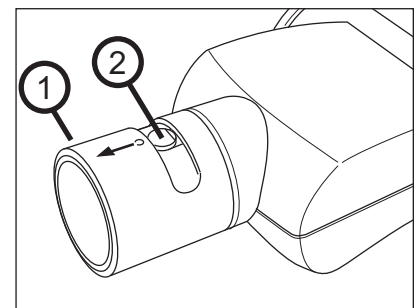


Your TWIN TT is cleaned and ready for its next use.

Clean the Turbo-Nozzle

The turbo nozzle accessory requires special cleaning. To clean the turbo nozzle accessory, do the following:

1. Turn the shutter tube until the arrow on the tube lines up with the release button.
2. Press the release button and slide the shutter tube away from the turbo nozzle.
3. Open the brush covering.
4. Remove lint and deposits from the interior of the turbo nozzle.
5. Use scissors to cut hairs that are wound around the brush roller.
6. Close the brush covering and slide the shutter tube inward until the release button clicks into the closed position.



Chapter 3: Deep-Cleaning and Wet-Vacuumping

This section contains instructions for using the ROTHO TWIN TT AQUAFILTER as a deep cleaner or wet vacuum on carpets, hard floors, and upholstery.

The sections in this chapter explain how to prepare the TWIN TT for deep-cleaning and wet-vacuumping, how to select the appropriate accessories, how to use the TWIN TT to deep-clean and wet-vacuum, and how to dismantle and clean the TWIN TT after use.

For your safety and the safety of your device, read this entire chapter before you begin deep-cleaning or wet-vacuumping.



Deep-cleaning can damage some materials!

Always check the label on your carpet, rug, or other upholstery before you deep clean with the ROTHO TWIN TT. If the label is missing, consult the carpet's manufacturer for cleaning instructions. ROTHO does not recommend deep-cleaning natural fibers such as wool, linen, flax, or hemp. Usually these materials require dry-cleaning. Even if the label or carpet manufacturer permits deep-cleaning, always perform a test cleaning of a small, easily-concealed part of the carpet to check for possible discoloration.



Only use ROTHO or ROTHO-approved products!

Only use ROTHO or ROTHO-approved cleaning products and detergents with your ROTHO TWIN TT AQUAFILTER. Always read the instructions on these products, as they may include special instructions for various carpet materials.



Chemical Warning!

Most cleaning chemicals are non-toxic and do not pose a serious health risk. However, for safety reasons you should always use such chemicals carefully, as unsafe use of cleaning chemicals can result in discomfort or injury. To protect yourself and those nearby, follow these safety guidelines:

- **Clean in a well-ventilated area** - Open doors or windows in the area you are cleaning to facilitate quick drying and avoid inhaling fumes.
- **Check for allergens** - Consult the label on the chemical container to determine if you are allergic to any of its contents. If you are, consult a doctor before using the chemical.
- **Do not drink chemicals** - Consuming cleaning solutions can result in vomiting, nausea, and diarrhea, as well as irritation and burning of the mouth, esophagus, and stomach. If a person consumes cleaning chemicals, contact your local Poison Control Center immediately. Do not induce vomiting unless advised to do so by qualified medical personnel. In the event that medical assistance is not available, the affected individual should immediately drink large quantities of lukewarm water to dilute the cleaning chemicals in the stomach.
- **Avoid contact with the eyes** - Cleaning chemicals that come into direct contact with the eyes can cause irritation, itching, and burning. If cleaning chemicals get into the eyes, flush them immediately with clean water (cold or room temperature) and seek medical assistance immediately.
- **Avoid contact with skin** - Long-term exposure of the skin to cleaning chemicals can result in irritation, rashes, or burning. If skin is exposed to cleaning chemicals, quickly wash the exposed area with mild soap and clean water until the chemical is removed.
- **Store your chemicals safely** - Consult the label on your cleaning chemicals for specific storage instructions. Store chemicals out of the reach of children and animals.

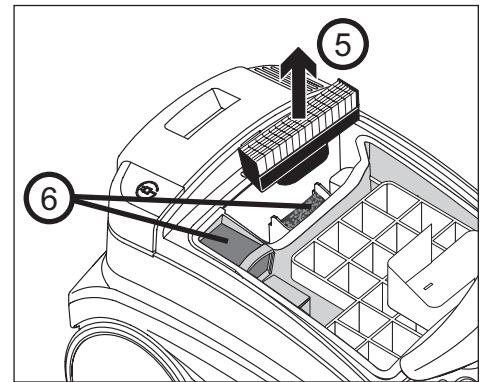
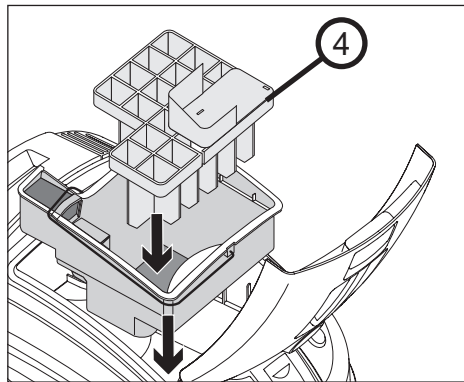
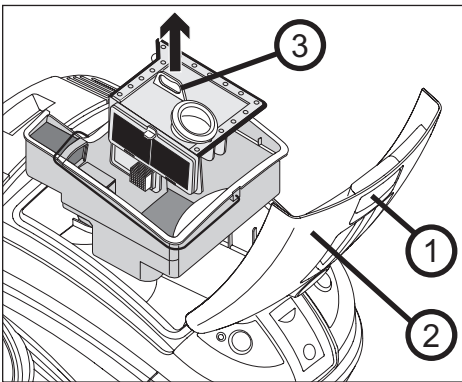
Prepare the TWIN TT for Deep-Cleaning

Before you begin deep-cleaning, you must prepare the TWIN TT by setting up the anti-splash grid, adding cleaning solution, and attaching the wet suction hose.

Set Up the Anti-Splash Grid

To prepare the AQUAFILTER for deep-cleaning, do the following:

1. Lift the cover lock.
2. Open the casing cover.
3. Take hold of the small handle at the center of the AQUAFILTER and remove the AQUAFILTER from the recovery tank. The AQUAFILTER is not used during deep-cleaning.



4. Insert the anti-splash grid into the recovery tank.
5. Remove the HEPA filter. The HEPA filter is not used during deep-cleaning.
6. Make sure the wet filter and motor protection filter are firmly in place.
7. Close the casing cover.

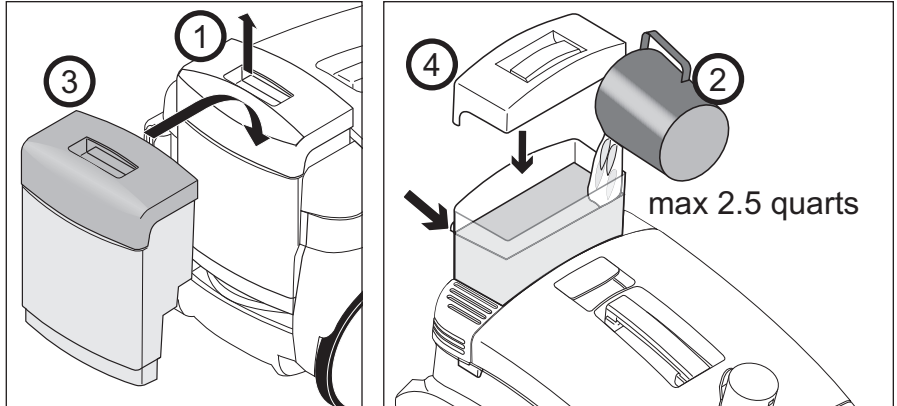
The anti-splash grid is ready for deep-cleaning.

Add the Cleaning Solution

The solution tank is identical to the accessory box except that it is white and clear, allowing you to see how much solution is remaining. To add cleaning solution to the TWIN TT, do the following:

1. Remove the accessory box from the back of the TWIN TT base.
2. Rinse the interior of the solution tank and fill it with up to 2.5 quarts of lukewarm water (up to 86°F) and cleaning concentrate. Make sure there are no impurities, such as floating dirt or debris, in the tank. These impurities can damage the injection pump.

Note: Consult the instructions on the label of your cleaning concentrate for directions on mixing the cleaning solution.



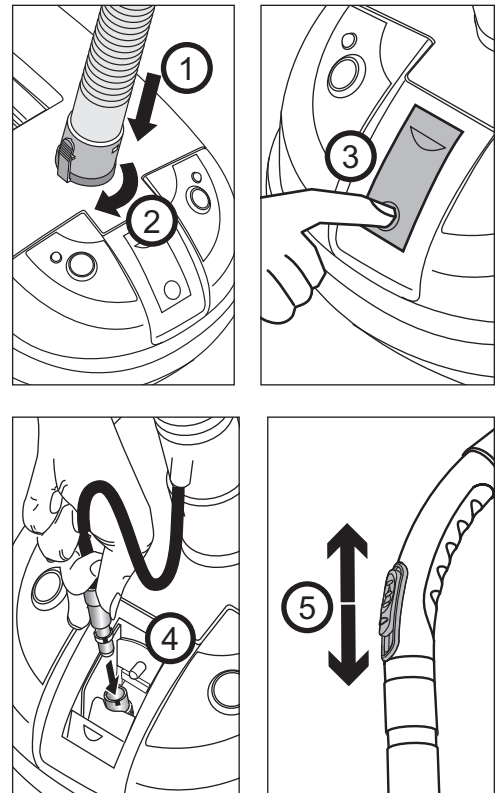
3. Place the solution tank in the back of the TWIN TT base.
4. Place the lid on the solution tank.

The cleaning solution is ready.

Attach the Wet Suction Hose

You must connect the wet suction hose to the TWIN TT before you begin deep-cleaning. One end of the hose attaches to the TWIN TT. The other end is a handle for mounting accessories. To attach the wet suction hose to the TWIN TT, do the following:

1. Insert the wet suction hose connector into the hose socket on the top of the device.
2. Turn the connector left or right until it locks into place.
3. Open the pump cover on the TWIN TT vacuum by pressing on the lowest part of the cover and sliding it downward until it stops.
4. Insert the solution tube into the pump. An audible click indicates a successful connection.
5. Make sure the supplementary air switch on the wet suction hose handle is closed. Do not open the switch during deep-cleaning.



The wet suction hose is ready to be fitted with an accessory.

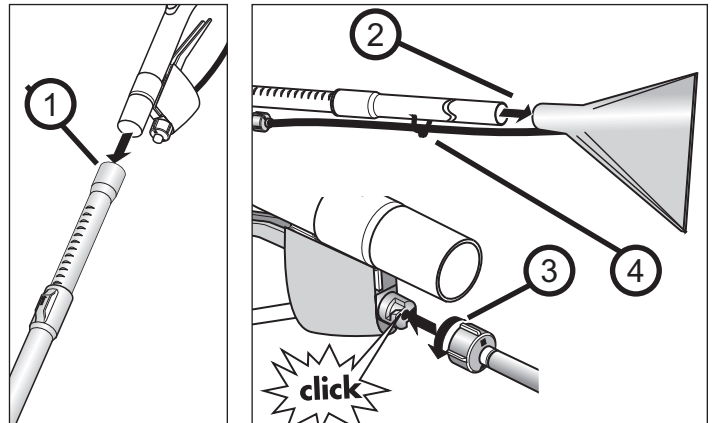
Deep-Cleaning Accessories

Before you begin deep-cleaning, you should attach a deep-cleaning accessory to the wet suction hose handle. Deep-cleaning and wet-vacuuming accessories are packaged in the blue cardboard box included with your TWIN TT. It is important to choose the accessory based on the surface you will be vacuuming. Select one of the following accessories:

Carpet Spray Nozzle

The ROTHO TWIN TT AQUAFILTER includes two nozzles for deep-cleaning. The carpet spray nozzle is the larger of the two and is intended to be used with the telescopic wand attachment to clean carpets, rugs, and hard floors. To prepare the carpet spray nozzle, do the following:

1. Attach the end of the telescopic wand to the handle of the wet suction hose.
2. Attach the carpet spray nozzle to the other end of the telescopic wand.
3. Connect the solution hose from the carpet spray nozzle to the check valve. Push the plug gently inward and turn it clockwise until it locks in place. An audible click indicates a successful connection.
4. To prevent the solution tube from hanging freely, clip it to the telescopic wand using the wand clips provided with your TWIN TT.



Finally, if this is your first time using the carpet spray nozzle, you must attach the end of the solution tube to the spray nozzle. To attach the solution tube spray tip, slide the plastic tip into the clip on the underside of the carpet spray nozzle. An audible click indicates a successful connection.

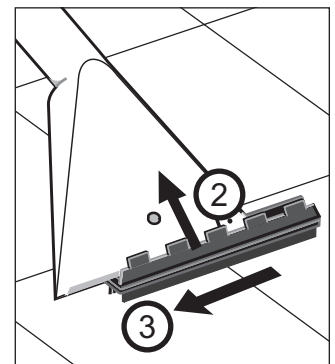
If you are deep-cleaning carpet or other fabric, the carpet spray nozzle is ready to use. However, if you are deep-cleaning windows or hard floors, you must equip the floor or long window adapter to avoid damage to your windows or floors.

Floor and Long Window Adapters

To equip the floor or long window adapter, do the following:

1. Turn the carpet spray nozzle over to reveal the black underside and locate the two teeth on the end of the nozzle.
2. Position the teeth of the window or floor adapter between the teeth on the nozzle. The Adapter sticks out to one side of the nozzle. Push the adapter onto the nozzle.
3. Slide the Adapter sideways until the adapter locks into place.

The carpet spray nozzle is ready.

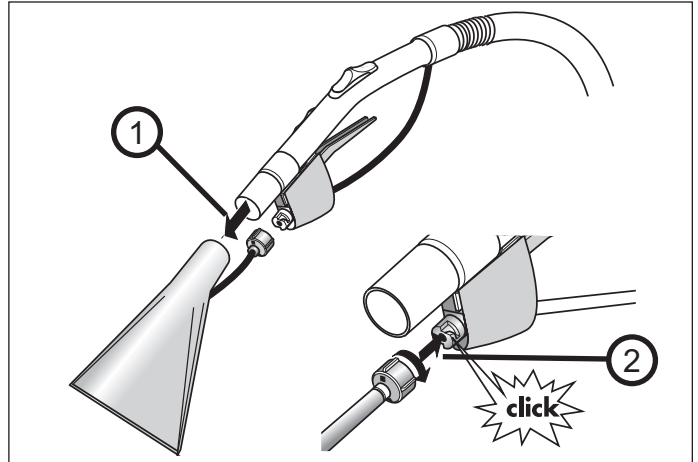


Upholstery Spray Nozzle

The ROTHO TWIN TT AQUAFILTER includes two nozzles for deep-cleaning. The upholstery spray nozzle is the smaller of the two and should be attached directly to the wet suction hose handle to clean upholstery, car seats, and other similar surfaces. To prepare the upholstery spray nozzle, do the following:

1. Attach the end of the upholstery spray nozzle to the handle of the wet suction hose.
2. Connect the solution hose from the carpet spray nozzle to the check valve. Push the plug gently inward and turn it clockwise until it locks in place. An audible click indicates a successful connection.

Finally, if this is your first time using the upholstery spray nozzle, you must attach the end of the solution tube to the spray nozzle. To attach the solution tube spray tip, slide the plastic tip into the clip on the underside of the carpet spray nozzle. An audible click indicates a successful connection.



If you are deep-cleaning upholstery or other fabric, the upholstery spray nozzle is ready to use. However, if you are cleaning windows, you must equip the short window adapter to avoid damage to your windows.



Do not use too much solution!

Excess solution causes longer drying times and can cause fabric to dry with waves and bumps. These waves and bumps fade with time but should be avoided if possible. Using excess solution can also dampen the cushioning beneath upholstery, resulting in longer drying times and the danger of mold and mildew growth.

Short Window Adapter

To equip the short window adapter, push it onto the upholstery spray nozzle until it locks in place with an audible click.

The upholstery spray nozzle is ready.

Deep-Cleaning Instructions

Once you have prepared the anti-splash grid and attached the desired accessories, you can plug in the TWIN TT, turn it on, and begin deep-cleaning.



Do not use supplementary air control during deep-cleaning!

The supplementary air switch on the wet suction hose handle must remain closed during deep-cleaning. An open switch causes dirty solution to spill.



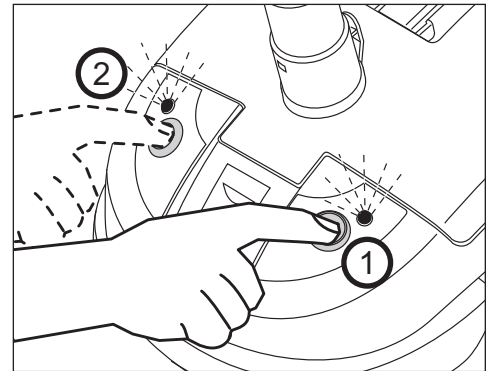
Refill the cleaning solution and empty the recovery tank regularly during cleaning!

Using the injection pump without solution may result in damage to the pump. When the solution tank empties, turn off and unplug the TWIN TT. Then, refill the solution tank and empty the recovery tank.

Turn On the TWIN TT

When deep-cleaning, you must turn on the vacuum cleaner and then activate the injection pump. To turn on the TWIN TT when deep-cleaning, do the following:

1. Press and hold the One-Touch power button. Do not release the button yet. The vacuum turns on and the LED above the power button turns green, then yellow. Release the button when the LED turns yellow. This sets the TWIN TT to maximum suction strength.
2. Activate the injection pump by pressing the button on the left side of the TWIN TT. The LED above the injection pump Power button turns red. It is normal for the injection pump to make a loud noise as it is activated.



Once the injection pump is activated, begin deep-cleaning.

Deep-Cleaning Instructions

Before you deep-clean a surface, make sure you have equipped the correct accessory for that surface. See Deep-Cleaning Accessories on page 26 for more information. To deep-clean a surface, do the following:

1. Make sure the vacuum cleaner and injection pump are both on.
2. Place the nozzle in one corner of the surface to be cleaned.
3. Pull and hold the check valve lever to begin spraying cleaning solution.
4. Pull the spray nozzle towards you in a steady motion. Do not release the check valve handle until you reach the opposite edge of the surface to be cleaned.

If liquid remains on the cleaned surface, vacuum the liquid up without spraying cleaning solution. If the surface is particularly dirty, spray cleaning solution while pushing the nozzle forward over the dirty surface and then pull it back towards yourself while continuing to spray.



Do not use too much solution!

Excess solution causes longer drying times and can cause fabric to dry with waves and bumps. These waves and bumps fade with time but should be avoided if possible. Using excess solution can also dampen the cushioning beneath upholstery, resulting in longer drying times and the danger of mold and mildew growth.



Watch out for foam!

If a surface has been recently cleaned with an unapproved cleaning solution, that solution may react with the current solution to create foam. If foam forms in the recovery tank or seeps out of the supplementary air switch, turn off the TWIN TT immediately and empty the recovery tank before continuing. If foaming continues, add 1/2 of a cup of vinegar to the recovery tank.

5. Lift the nozzle and repeat steps 2 - 4 along the edge of the newly cleaned track until the entire surface is clean.
6. When you are done cleaning, but before you turn off the TWIN TT, remove the solution tank. Then, squeeze the check valve briefly to relieve pressure in the system. Do not hold the check-valve open as this may damage the injection pump.

Hold the nozzle at an upward angle for a few seconds so that the spray nozzle is higher than the wet suction hose handle. This allows the vacuum to suction the remaining liquid in the hose. Only after you clear the hose in this fashion should you turn off the TWIN TT.



Do not walk on damp surfaces!

Wait for your cleaned surfaces to dry before stepping on them.

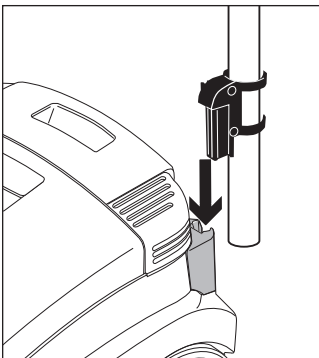
Using the Window Adapter

The window adapter is equipped with a squeegee and a cloth strip. Make sure both the squeegee and the cloth are in contact with the glass during cleaning. This enables you to dry the window as you clean it.

Using the Floor Adapter

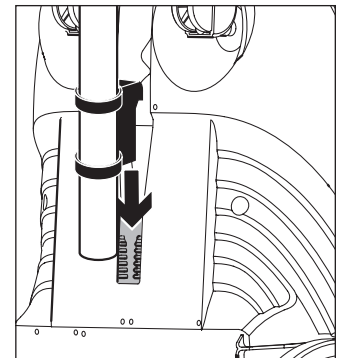
The floor adapter is equipped with a squeegee and a brush strip. Make sure both the squeegee and the brush are in contact with the floor. This enables you to clean the floor thoroughly.

Storing the Spray Nozzle



While moving the vacuum during deep-cleaning, you can use the storage bracket to hold the spray nozzle and telescopic wand without taking them apart. Slide the parking bracket of the telescopic wand into the storage bracket on the back of the TWIN TT.

There is a storage bracket on the underside of the TWIN TT as well. However, the vacuum cannot be upright during operation, so this bracket is for storage purposes only.



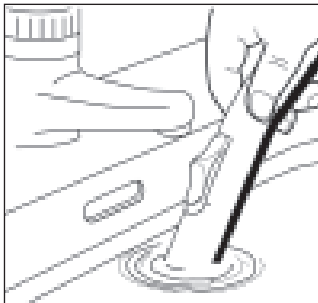
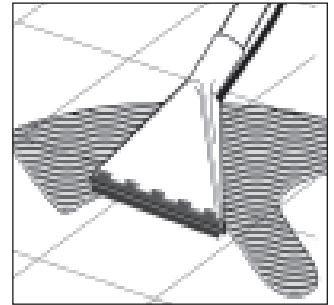
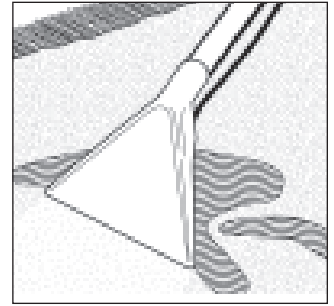
Wet-Vacuuming Liquids

The ROTHO TWIN TT AQUAFILTER can vacuum non-toxic, water-based liquids, such as water, coffee, tea, etc. To wet-vacuum using the TWIN TT, do the following:

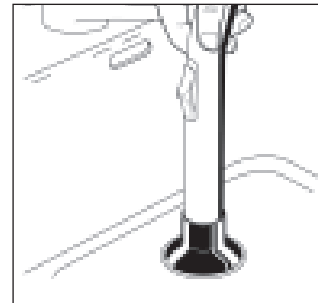
1. Attach the desired accessory to the wet suction hose handle.
2. Turn on the vacuum cleaner.
3. Vacuum the liquid, emptying the recovery tank as necessary.

When you are done cleaning, hold the nozzle at an upward angle for a few seconds so that the spray nozzle is higher than the wet suction hose handle. This allows the vacuum to suction the remaining liquid in the hose. Only after you clear the hose in this fashion should you turn off the TWIN TT.

You should not use the TWIN TT to siphon large quantities of liquid from basins or other containers, but you can use it to siphon the contents of a sink or other small container, providing the liquid is non-toxic and water-based. The TWIN TT can also clean blocked drain pipes in sinks, washbasins, and tubs.



To siphon small quantities of liquid, remove all accessories from the wet suction hose handle. Place the handle nozzle directly in the liquid and turn the vacuum on to begin siphoning.



To clean blocked drain pipes, attach the siphon nozzle to the wet suction hose handle. Then, position the siphon nozzle directly over the drain and turn the vacuum on to begin cleaning.

Dismantle and Clean the TWIN TT

This section explains how to remove deep-cleaning accessories and clean the TWIN TT's deep-cleaning components.

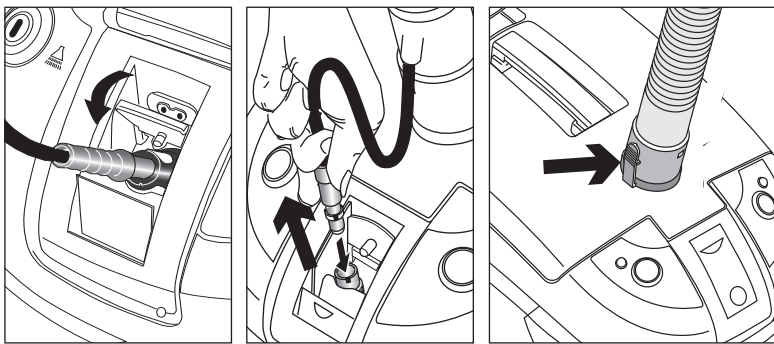


Clean your ROTHO TWIN TT after each use!

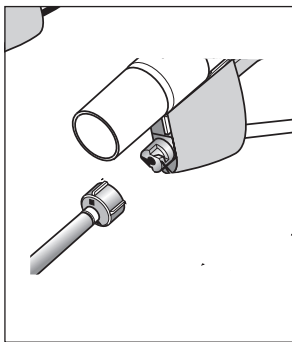
Dirty water and damp parts can lead to the breeding of bacteria and fungus.

Remove Accessories

To remove specialized deep-cleaning accessories, such as the wet suction hose or spray nozzles from the TWIN TT, do the following:



To remove the wet suction hose from the TWIN TT, press the socket cover down onto the small white circles to release the tube from the pump. This is illustrated by the arrows on the socket cover. Then, press the feather-clip and turn the hose in the socket until it is released.

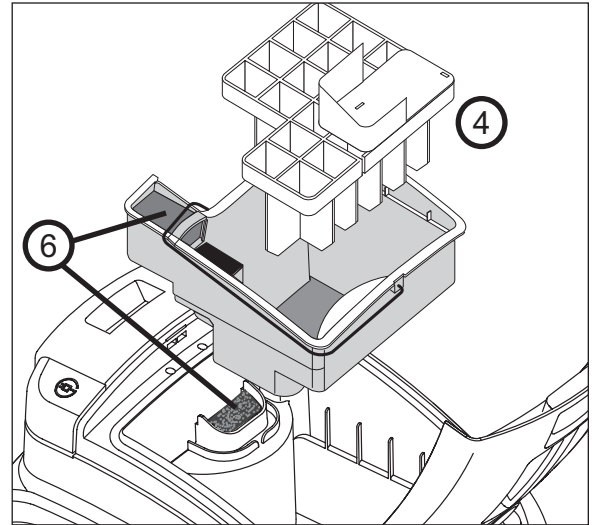


To remove a spray nozzle from the wet suction hose handle, you must first detach the cleaning solution tube. To detach the cleaning solution tube, turn the connector counter-clockwise to unlock it and slide it off of the check valve handle.

Clean the TWIN TT

You should clean the TWIN TT after each deep-cleaning or wet-vacuumping. Be sure to clean the vacuum over a sink or other basin to keep your floor and carpets clean. To clean the TWIN TT, do the following:

1. Empty any remaining cleaning solution from the solution tank. Rinse the solution tank.
2. Fill the solution tank with clean water and return it to the TWIN TT. Then, operate the spray system briefly over a sink as you would during deep-cleaning to clean the system of solution.
3. Empty any remaining water from the solution tank.
4. Open the casing cover and remove the anti-splash grid and recovery tank.
5. Remove large deposits of dirt and filth from the recovery tank to avoid clogging your sink or toilet. Dispose of these deposits in a trash bag and empty the remaining dirty water in the recovery tank into a sink or toilet.
6. Remove all filters from the recovery tank and TWIN TT.
7. Remove all lint and deposits and thoroughly rinse the anti-splash grid, accessory box, recovery tank, filters, suction hose, telescopic wand, and accessory nozzles in clean water. Do not use soap or detergent and do not clean parts in a dishwasher.
8. Using a soft cloth, clean and dry the surfaces of the TWIN TT inside the casing cover and the area usually occupied by the recovery tank. Do not use soap or detergent and do not place the unit in a dishwasher.
9. Dry all components thoroughly. Damp parts can lead to the breeding of mildew, bacteria, and fungus.
10. Return the foam filters to the Recovery Tank and TWIN TT and replace the recovery tank in the TWIN TT.



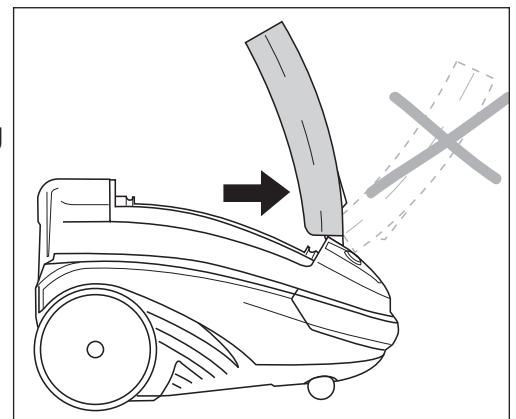
Your TWIN TT is cleaned and ready for its next use.

Remove the Casing Cover for Cleaning

For your convenience during cleaning, you can remove the casing cover. To remove the casing cover, open it and hold it upright. Pull upwards until the hinge is freed from the hinge clip.

Do not try to over-extend the casing cover, as you may damage the cover or the hinge.

To return the casing cover after cleaning, hold the cover upright and press the hinge down into the hinge clip.



Appendix A: Cleaning Filters

In addition to the filters used in the recovery tank and AQUAFILTER, the ROTHO TWIN TT AQUAFILTER makes use of two important filters: The HEPA filter and the MKA Micro-filter. This section contains instructions for maintaining these filters.

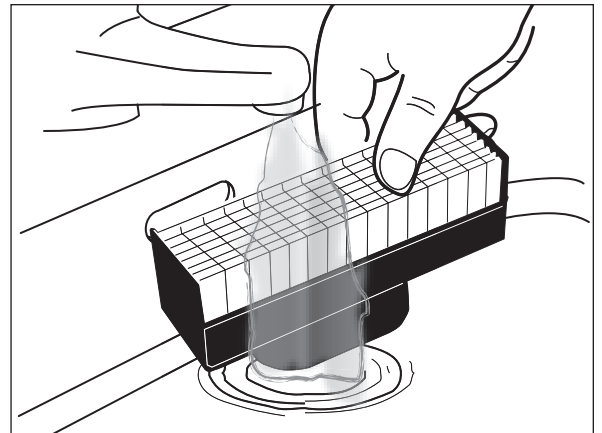
Cleaning the HEPA Filter

A dirty HEPA filter reduces the suction power of the TWIN TT. To prevent this, the HEPA filter should be cleaned at least every 6 months. Depending on how heavily you use the TWIN TT, you may need to clean the filter more frequently.

If cleaning the HEPA filter does not improve performance, replace the HEPA filter with a new one.

To clean the HEPA filter, do the following:

1. Remove the HEPA filter from the TWIN TT.
2. Beat the HEPA filter against a solid object over a trash can to remove loose clumps and deposits. Be sure to remove the filter from its plastic portion. Do not damage the filter bars themselves.
3. Rinse the filter in clean water. Do not use detergents. Do not scrub the filter with a sponge, brush, wash pad, or other similar abrasive surface.
4. Allow the filter to air-dry thoroughly. Do not use a towel or other cloth to dry the filter by hand as you may damage the filter.

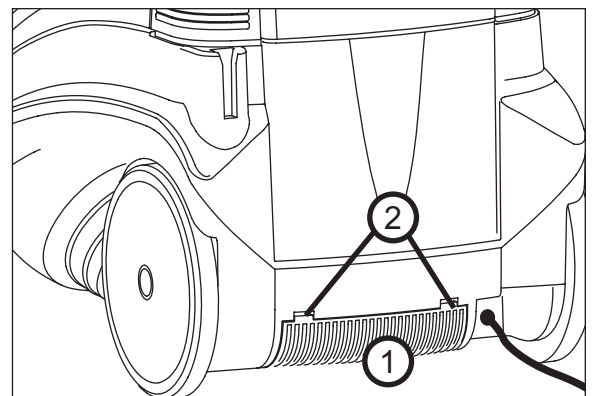


Once the filter is dry, you can return it to the TWIN TT for use.

Replace the MKA Micro-Filter

Unlike the HEPA filter, the MKA micro-filter cannot be cleaned and re-used. Instead, simply replace the MKA micro-filter every 6 months. To replace the MKA micro-filter, do the following:

1. Locate the cover on the bottom rear of the TWIN TT.
2. Press the two tabs downward to open the cover.
3. Remove the MKA micro-filter and insert a new one.
4. Close the cover.



Appendix B: Troubleshooting

This section provides solutions to the most common problems that users experience with the ROTHO TWIN TT AQUAFILTER. If the solutions below do not solve your issue, contact ROTHO customer service.

The TWIN TT won't start

The TWIN TT could be unplugged or the power cord could be damaged. To resolve this issue, do the following.

- Check to see that the power cord is plugged in and that the power outlet is functioning.
- If the power cord is plugged in, unplug the cord and check the cord and plug for damage.
- If the power cord is undamaged, plug it back in and press the One-Touch power button.

If the cord is damaged or the TWIN TT still won't start, consult a qualified electrician to determine if repairs are necessary. Do not attempt to repair the device yourself.

Dust comes out of the vacuum or intake nozzles while dry-vacuuming

Dust can flow back out of the vacuum or intake nozzle due to blockage in the system. To resolve this issue, do the following:

- Check to make sure that all hoses and nozzles are firmly connected. An audible click indicates a successful connection.
- Check to make sure the AQUAFILTER system is installed properly. See Set Up the AQUAFILTER on page 12 for instructions.
- Make sure there is enough water in the recovery tank. The small suction filter on the bottom of the AQUAFILTER should be submerged.
- Clean the AQUAFILTER assembly and replace the water in the recovery tank. See Clean the TWIN TT on page 22 for instructions.
- Check all nozzles and surfaces for filth and deposits. Clean them if necessary.

Suction strength weakens over time

The primary cause for a gradual decrease in suction strength is a dirty HEPA filter. See Cleaning the HEPA filter on page 33 for more information. Then, check all nozzles, and tubes for filth and deposits. Clean them if necessary.

Suction strength is too low

Insufficient suction strength can have multiple causes. To resolve this issue, do the following:

- Make sure the casing cover is fully closed.
- If the suction strength LED indicator is green, the vacuum is only set to minimum suction strength. Press and hold the One-Touch power button until the LED turns yellow and the vacuum switches to maximum suction strength.
- Check the supplementary air switch on the suction hose handle. If the switch is open, close it.
- Check all nozzles and surfaces for filth and deposits. Clean them if necessary.
- Clean the AQUAFILTER assembly and replace the water in the recovery tank. See Clean the TWIN TT on page 22 for instructions.
- Clean the HEPA filter. See Cleaning the HEPA Filter on page 33 for instructions.

Excessive water drops form on the inside of the casing cover

Some droplets on the inside cover are to be expected. However, if the number of water droplets becomes excessive, the AQUAFILTER is full. Clean the AQUAFILTER assembly and replace the water in the recovery tank. See Clean the TWIN TT on page 32 for instructions.

Dirty water comes out of the top of the TWIN TT base

When dirty water seeps out of the air outtake on the top of the TWIN TT base, the AQUAFILTER is full. Turn off the vacuum cleaner and clean up the dirty water. Then, clean the AQUAFILTER assembly and replace the water in the recovery tank. See Clean the TWIN TT on page 32 for instructions.

Suction strength suddenly decreases

First, make sure the TWIN TT is not slanted or upright. The TWIN TT base must be level and horizontal during operation. Then, check the recovery tank and empty it if necessary.

Water is leaking out of the spray nozzle

Make sure the filter system is clean and set up properly. See Clean the TWIN TT on page 32 for instructions. In particular, clean the floater in the recovery tank. Make sure the floater hinge is working properly and check to see that the floater still floats closed when the recovery tank is full.

Large amounts of water gather in the suction area

Check all nozzles and surfaces for filth and deposits. Clean them if necessary. Then, make sure the AQUAFILTER, micro-filter, and/or anti-splash grid are clean and properly installed. See Clean the TWIN TT on page 32 for instructions.

Large quantities of foam accumulate in the recovery tank

Excessive foam deposits are caused by unapproved cleaning solutions. You should only use ROTHO or ROTHO-approved cleaning solutions. To help avoid foaming, add 1/2 a cup of vinegar to the recovery tank.

Cleaning solution does not spray when check valve handle is pressed

Make sure there is still cleaning solution in the solution tank. Add more solution if necessary. If there is enough solution, do the following:

- Remove the spray nozzle and rinse it thoroughly in lukewarm water. Blow through the solution tube to clear obstructions.
- Remove the solution tank from the TWIN TT and clean possible deposits from the small connection on the bottom of the tank.

Vacuum is not removing cleaning solution from carpet

If the vacuum is not removing enough cleaning solution from the carpet, there is a problem with suction strength. To resolve this issue, do the following:

- Make sure you are holding the spray nozzle firmly against the carpet.
- Make sure the casing cover is fully closed.
- If the suction strength LED indicator is green, the vacuum is only set to minimum suction strength. Press and hold the One-Touch power button until the LED turns yellow and the vacuum switches to maximum suction strength.
- Check the supplementary air switch on the suction hose handle. If the switch is open, close it.
- Check all nozzles and surfaces for filth and deposits. Clean them if necessary.
- Clean the AQUAFILTER assembly and replace the water in the recovery tank. See Clean the TWIN TT on page 32 for instructions.



Inspired by Clean.

ROBERT THOMAS L. P. · 5126 South Royal Atlanta Drive, Tucker, GA 30084, USA
Phone: (770) 414-1781 · Fax: (770) 934-3384 · info@rothovac.com · www.rothovac.com

TOLL FREE NUMBER 1-800-516-ROTHO (1-800-516-7684)