

RANGE COMPOSITION

A complete and flexible range of cold rooms ideal for storing and conserving perishable food (meat, fish, cold cuts, cheese, fruit, vegetables), in addition to chilled and frozen food. Constructed in top quality, reliable materials, they are manufactured with the utmost attention paid to eliminating possible ecological damage. All models can be connected to a refrigeration unit installed directly inset on the wall of the cold room or to a remote refrigeration unit. The availability of a remote condenser unit is particularly useful when using cold rooms in environments with critical ambient temperatures, ventilation or space problems. The models detailed on this sheet are 5 freezer cold rooms with built-in refrigerating unit and with usable volume of 3,1 to 6,1 m³ with panel insulation 100 mm in thickness. All models come with panels and gas precharged cooling unit.



Shelving as accessory

3.1/ 6.1m³

BUILT IN UNIT COLD ROOMS -10°-21°C **ZANUSSI** PROFESSIONAL

FUNCTIONAL AND CONSTRUCTION FEATURES

- ◆ Assembly system that guarantees minimal temperature loss through twin hook fasteners which allow perfect alignment of the panels. This new fastener is made of high resistant composite material and guarantees perfect grip of all components that can be easily disassembled and reassembled.
- ◆ Wall panels and inside ceiling panels are clad with anti-scratch pre-painted galvanized steel
- ◆ All panels are insulated with injected polyurethane. CFC and HCFC free
- ◆ All panels have PVC gaskets foamed in place to assure airtight and secure fitting. Any other sealing between panels on site is eliminated.
- ◆ Galvanized steel floor covered with a non-abrasive, non-slip, ribbed plastic coat
- ◆ Rounded internal and external corners.
- ◆ The right-hinged door is available as standard (left-hinged door on request) and constructed with smooth rounded profiles, cam-lift action hinges, airtight magnetic door, gaskets and high insulation for saving energy and operating costs. As an option a microswitch switches on automatically the internal light and turns off the fans
- ◆ Newly designed handle, complete with lock has an internal safety release to prevent

entrapment when the door is accidentally locked from outside.

- ◆ Powerful tropicalized refrigeration system designed to operate more efficiently and without failure in the most extreme temperatures (up to 43°C).

- ◆ Defrosting through heated gas permits to reduce the total power installed shorten defrosting time and limited warming of the cold room.

- ◆ The control panel includes: luminous ON/OFF switch, internal lighting switch, cold room functioning indicator, defrosting cycle indicator, temperature and thermostat control with digital display.

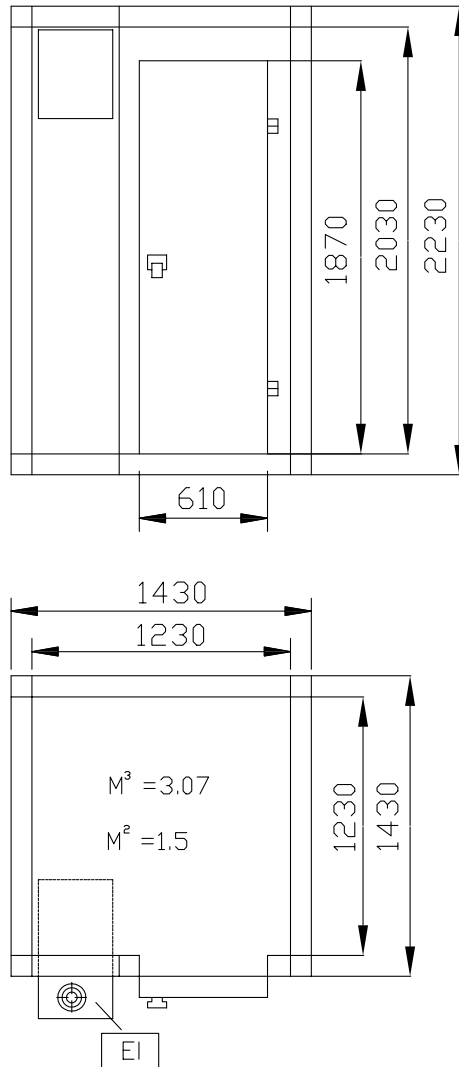
- ◆ All models comply with the standards required by the main international approval bodies and are H marked.

CHARACTERISTICS	MODELS				
	MF03112CL 102029	MF04112CL 102285	MF05112CL 102290	MF05416CL 102286	MF06112CL 102295
External dimensions - mm					
width	1430	1830	2230	1830	2630
depth	1430	1430	1430	1830	1430
height	2230	2230	2230	2230	2230
Internal dimensions - mm					
width	1230	1630	2030	1630	2430
depth	1230	1230	1230	1630	1230
height	2030	2030	2030	2030	2030
Compressor power - HP	1.2	1.2	1.7	1.7	1.7
Power - kW					
installed-electric	1.15	1.15	1.4	1.15	1.4
Noise level - dBA	60	60	60	60	60
Net weight - kg.	0.1	304	336	351	359
Power supply - V, phases, Hz	220/230 V, 1N, 50	230 V, 1N, 50	230 V, 1N, 50	230 V, 1N, 50	230 V, 1N, 50
Usable surface area - m ²	1,51	2,00	2,50	2,66	2,99
Usable volume - m ³ .	3,1	4,1	5,1	5,4	6,1

ACCESSORIES	MODELS				
	MF03112CL 102029	MF04112CL 102285	MF05112CL 102290	MF05416CL 102286	MF06112CL 102295
ALUM.SHELV.,POLY.TIERS-COLDROOM 123X123	137108				
ALUM.SHELV.,POLY.TIERS-COLDROOM 163X123		137090			
ALUM.SHELV.,POLY.TIERS-COLDROOM 163X163				137091	
ALUM.SHELV.,POLY.TIERS-COLDROOM 203X123			137095		
ALUM.SHELV.,POLY.TIERS-COLDROOM 243X123					137100
DOOR MICROSWITCH		102441	102441	102441	102441
GRAPHIC TEMPERATURE RECORDER	102025	102025	102025	102025	102025
KIT HACCP ADV.CONNECTION FOR COLD ROOMS	102021	102021	102021	102021	102021
PLASTIC CURTAIN FOR 65CM DOOR CLEARANCE	102027	102027	102027	102027	102027
PRINTER FOR HACCP BASIC VERSION REFRIG.		881457	881457	881457	881457
PRINTER FOR TEMPERATURE RECORDER	102026	102026	102026	102026	102026



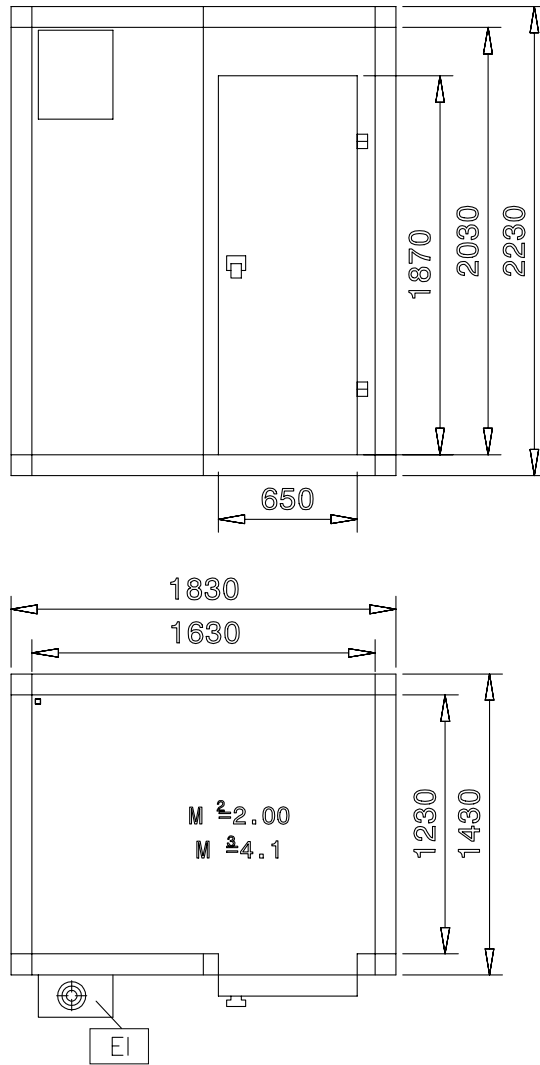
www.zanussiprofessional.com



	MF03112CL 102029
EI - Electrical connection	220/230 V, 1N, 50



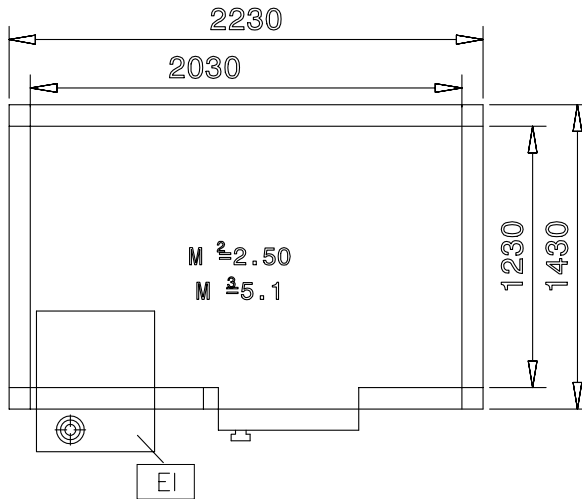
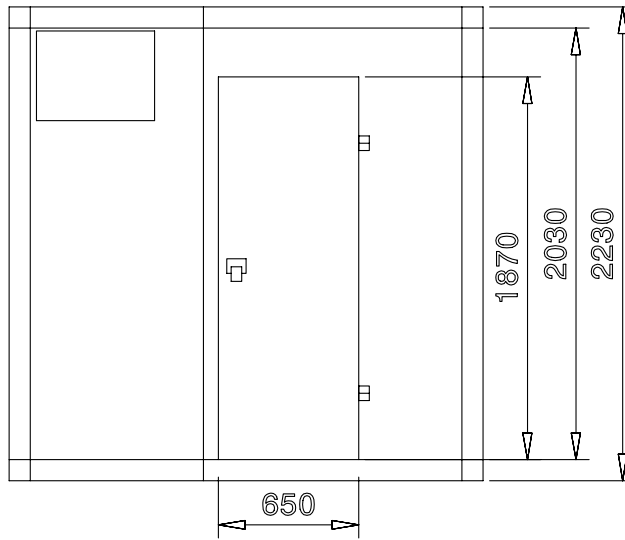
www.zanussiprofessional.com



	MF04112CL 102285
EI - Electrical connection	230 V, 1N, 50



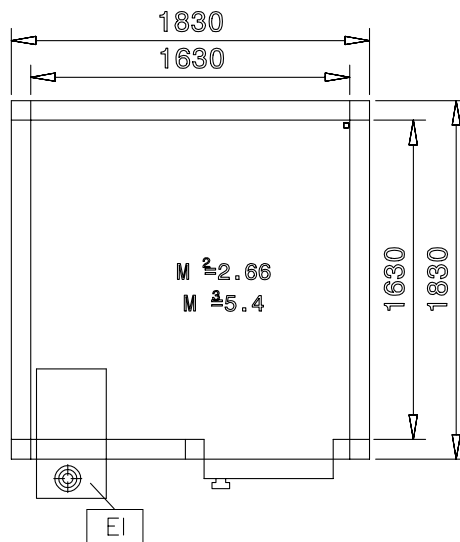
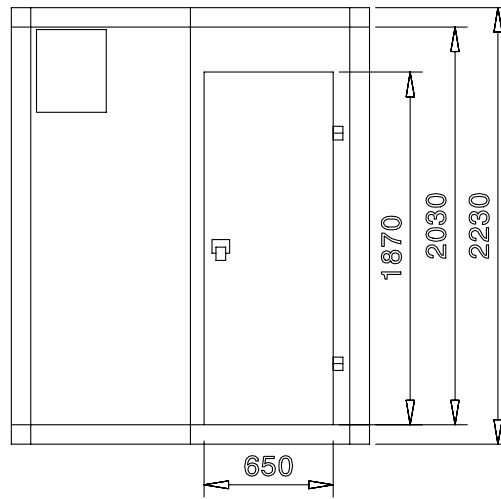
www.zanussiprofessional.com



	MF05112CL 102290
EI - Electrical connection	230 V, 1N, 50



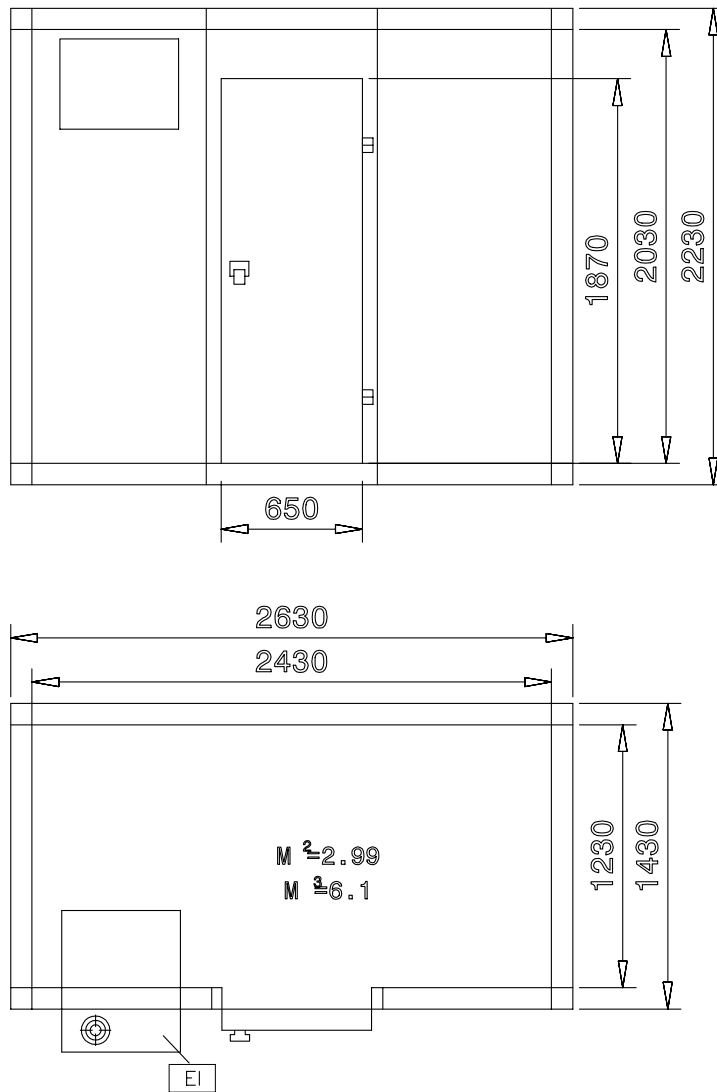
www.zanussiprofessional.com



	MF05416CL 102286
EI - Electrical connection	230 V, 1N, 50



www.zanussiprofessional.com



	<p>MF06112CL 102295</p>
<p>EI - Electrical connection</p>	<p>230 V, 1N, 50</p>



www.zanussiprofessional.com