

Before commencing assembly, please read these instructions thoroughly.

ALMOST - READY - TO - FLY



Cessna bird dog



Warning!

SAFETY PRECAUTIONS

This radio control model is not a toy!

- First-time builders should seek advice from people having building experience in order to assemble the model correctly and to produce its performance to full extent.
- Assemble this kit only in places out of childrens reach!
- Take enough safety precautions prior to operating this model. You are responsible for this models assembly and safe operation!
- Always keep this instruction manual ready at hand for quick reference, even after completing the assembly
- Could cause serious injury or even death.

SPECIFICATION

Wing Span: 2500 mm (98.4 in)
Wing Area: 81.4 dm² (1126.1 sq.in)
Total Length: 1700 mm (63.8 in)
Engine : 2C 1.40-1.60 cu.in
26cc gas engine
Radio : 5 channels ,8 servos

REQUIRED FOR OPERATION (Purchase separately)

- 1** A minimum 5channel radio for airplanes (with 8servos).
And dry batteries.

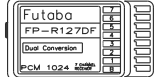


CAUTION: Only use a minimum 5channel radio for airplanes! (No other radio may be used!)

A minimum 8 channel transmitter for airplanes.



12 AA-size Batteries



Receiver



remote control

For handing the radio properly.refers to its instruction manual.

- 2** Battery (need 2)  Switch (need 2) 

- 3** Servo(need 8 servos) 

- 4** Engine and Muffler
Model Airplane engine:26cc gas engine

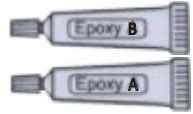



Muffler



Ignition



- 5** Glue  
Epoxy Glue Instant glue

- 6** required for engine starting 
Glow engine fuel only.



WARNING: Normal gasoline cannot be used with glow engines.



Fuel Pump



Plug Wrench

- 7** Silicone Tube  Fuel Filter 

- 8** Other equipment for enhancing airplane operation & performance



Engine Starter

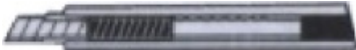


12V Battery (for starter)

- 9** Purchase a propeller that will match your engine 
16X10----18X10

TOOLS REQUIRED (Purchase separately)

Sharp Hobby Knife



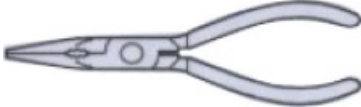
Phillips Screw Driver



Awl



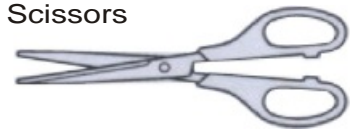
Needle Nose Pliers



Wire Cutters



Scissors



BEFORE YOU BEGIN

- 1 . Read through the manual before you begin ,so you will have an overall idea of what to do.
- 2 . Check all parts .if you find any defective or missing parts .contact your local dealer.
- 3 Symbols used throughout this instruction manual,comprise.



Apply epoxy glue.



Drill holes with the specified Diameter(here:2mm)



Must be purchased separately!



Apply instant glue (CA glue,super glue).



Ensure smooth non-binding movement while assembling.



Pay close attention here!



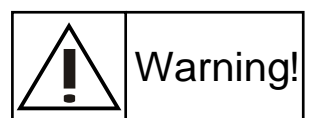
Assemble left and right Sides the same way.



Cut off shaded portion.



Cut off excess.



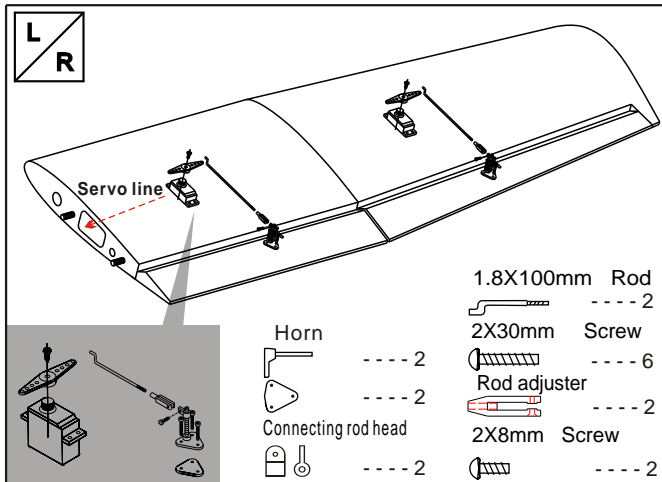
Do not overlook this symbol.



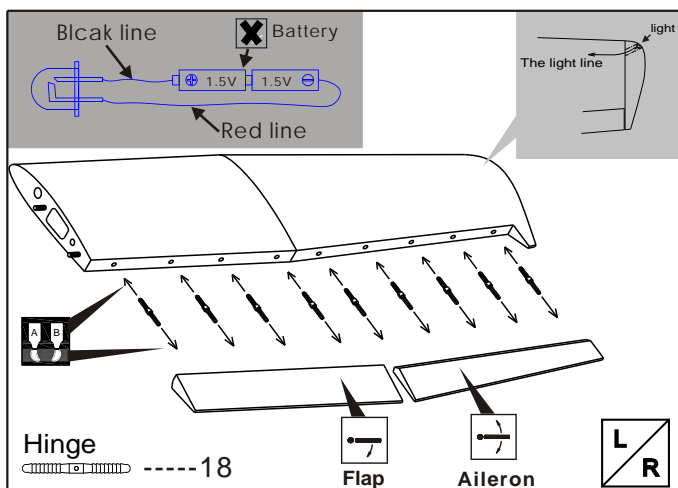
Accessory list for this page.

3mm washer	----- 4	Horn	----- 4
3X12mm Screw	----- 4	Connecting rod head	----- 4
3X20mm Tp Screw	----- 4	1.8X100mm Rod	----- 4
8mm nylon nut	----- 4	2X30mm Screw	----- 12
Hinge	----- 18	2X8mm Screw	----- 4
Rod adjuster	----- 4		

3 Install the flap servo



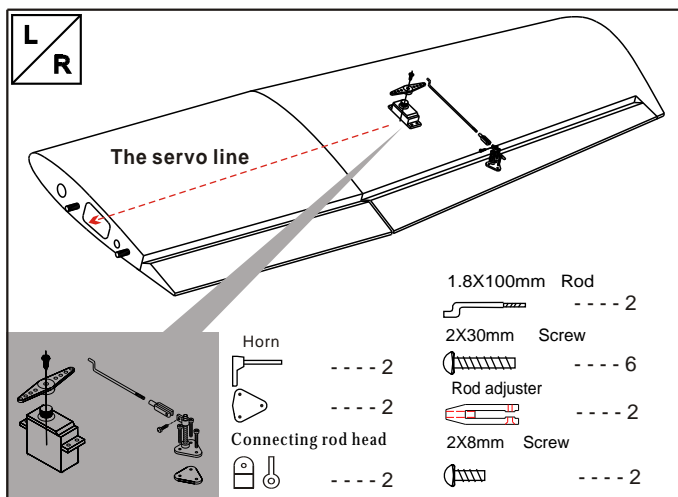
1 Install the aileron and flap



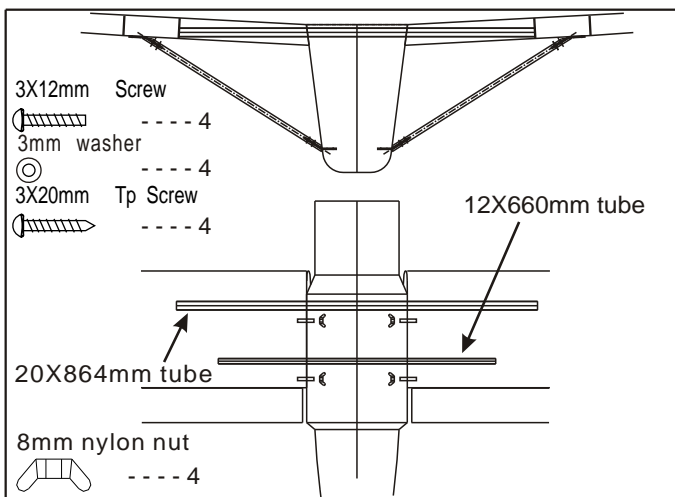
4 Main wing



2 Install the aileron servo



5 Main wing





Accessory list for this page.

3X3mm Screw



---- 2

2.6mm Nylon Collar



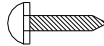
---- 1

2.6mm Collar



---- 2

3X12 Tp screw



---- 3

3X8mm Tpscrew



----- 4

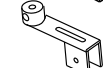
2.6X12 Tp screw



---- 1



---- 1



---- 1

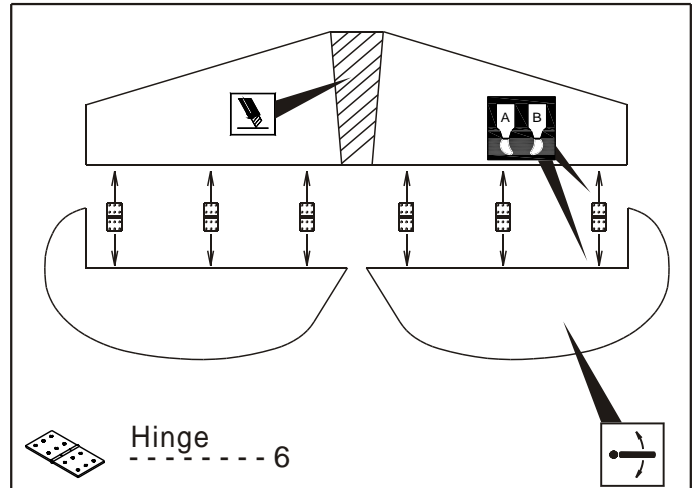
Hinge



---- 9

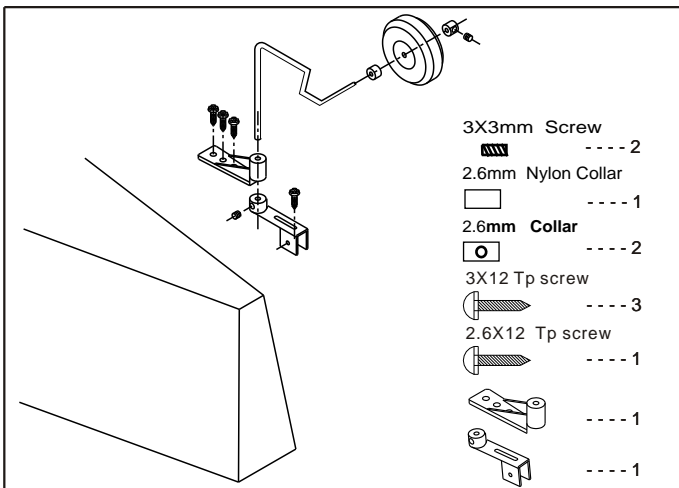
8

Horizontal tail



6

Install tail wheel



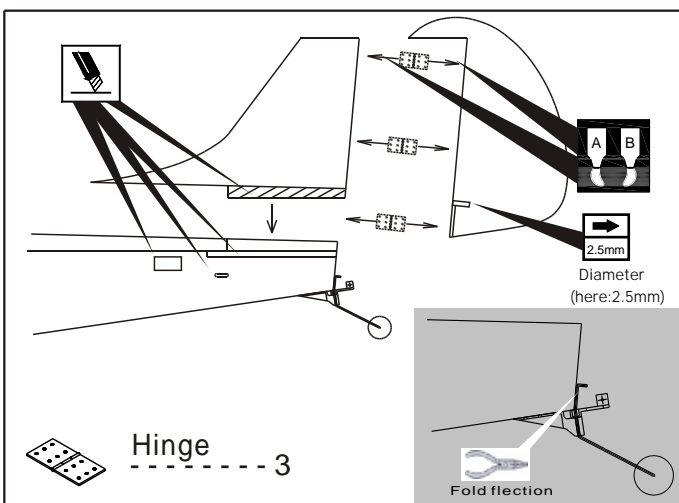
9

Horizontal /Vertical tail



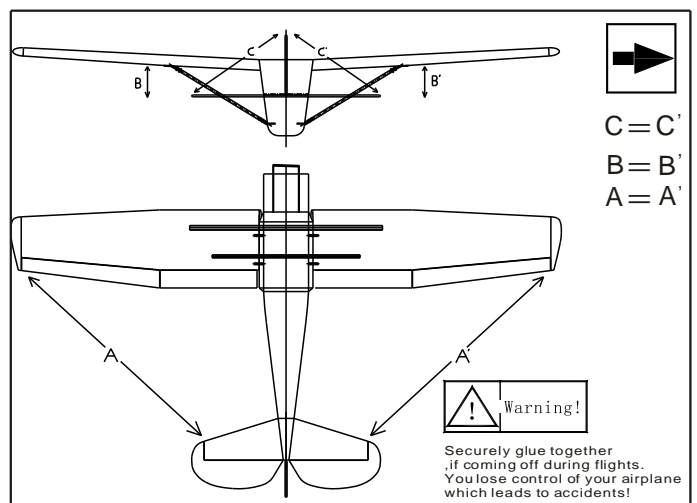
7

Vertical tail




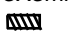
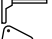

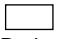


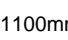
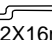


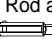
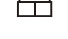




10

Horizontal /Vertical tail

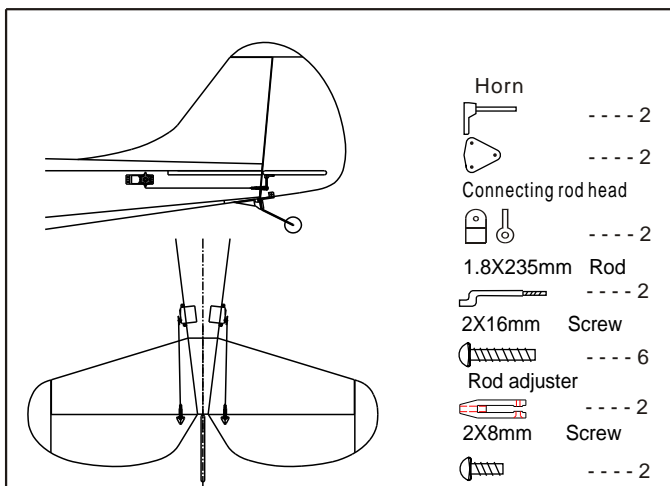




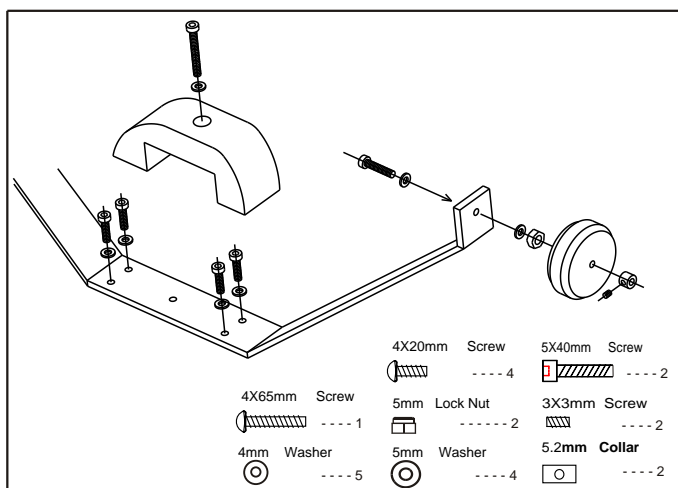
Accessory list for this page.

4X20mm Screw  ---- 4	3X3mm Screw  ---- 2	Horn  ---- 4	----
4X65mm Screw  ---- 1	5.2mm Nylon Collar  ---- 2	Connecting rod head  ---- 2	----
4mm washer  ---- 5	Rod  ---- 4	1.8X235mm Rod  ---- 2	----
5X40mm Screw  ---- 2	1100mm steel wire  ---- 2	2X16mm Screw  ---- 9	----
5mm lock nut  ---- 2	2mm Nut  ---- 3	Rod adjuster  ---- 6	----
	5mm washer  ---- 4	2X8mm Screw  ---- 6	----

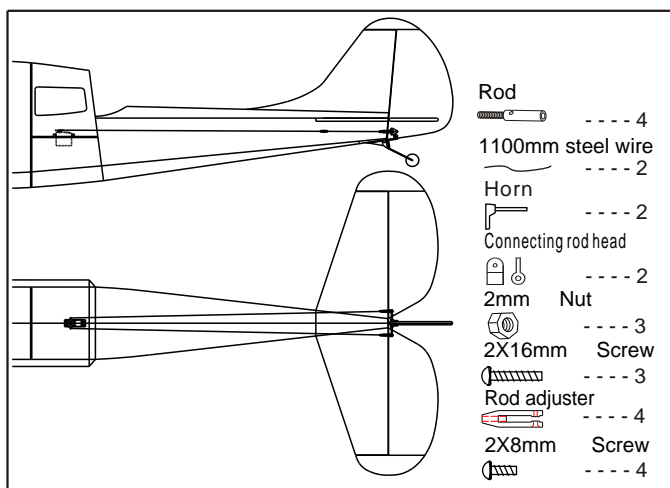
13 Install the elevator servo



11 Instal the main landing gear



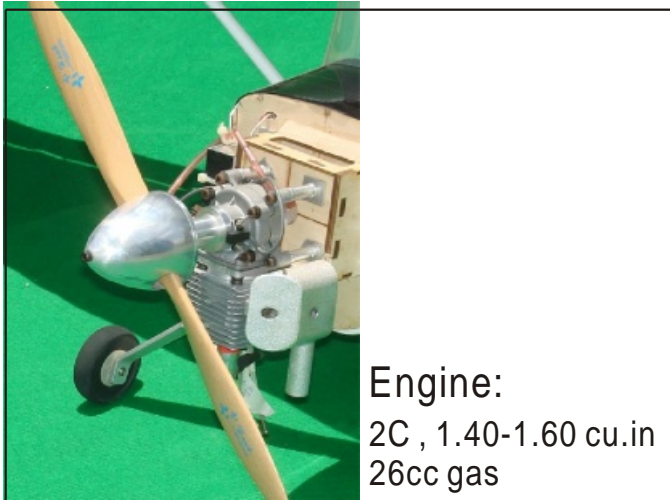
14 Install the rudder servo



12 Instal the main landing gear



15 Install the engine





Accessory list for this page.

Linkage Stopper



----- 1

2mm Nut



----- 1

1.8X550mm Rod



----- 1

3X3mm Screw



----- 1

2.3X10mm Tp Screw



----- 12

18 Install the cowl



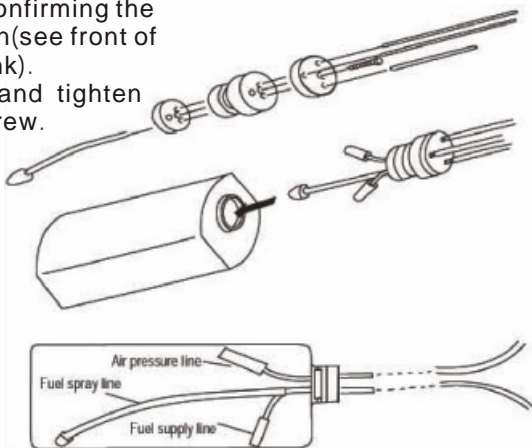
2.3X10mm Tp Screw



----- 4

16 Assembly of the full tank

After confirming the position(see front of fuel tank).
Insert and tighten the screw.



19 Install the front canopy



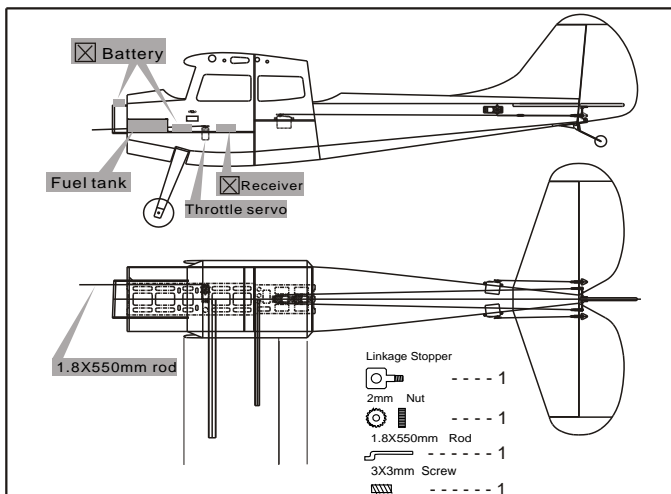
Cut away the surplus parts of canopy
Carefully along the shaded line

2.3X10mm Tp Screw



----- 4

17 Radio Equipment



Linkage Stopper



----- 1

2mm Nut



----- 1

1.8X550mm Rod



----- 1

3X3mm Screw



----- 1

20 Install the back canopy



Cut away the surplus parts of canopy
Carefully along the shaded line

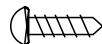
2.3X10mm Tp Screw



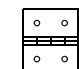
----- 4




Accessory list for this page.

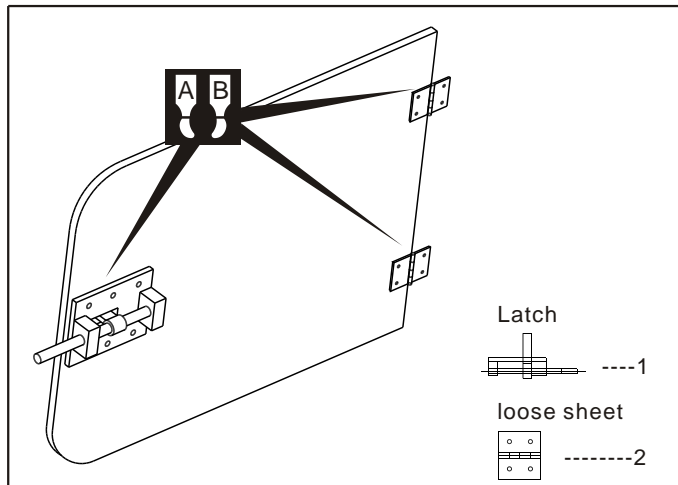
2.3X10mm Tp Screw
 ----- 4

Latch
 ----- 1

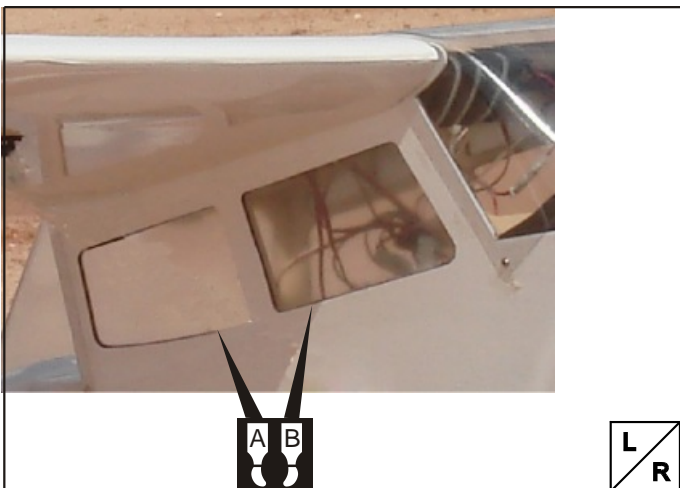
loose sheet
 ----- 6

2.3X8mm Tp Screw
 ----- 4

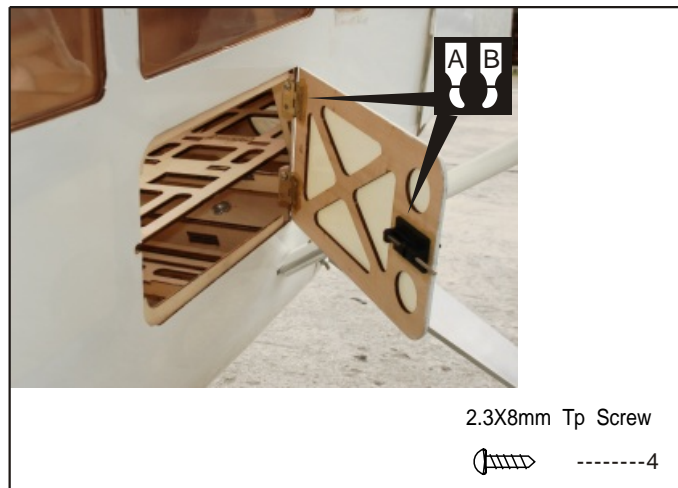
23 Install the door



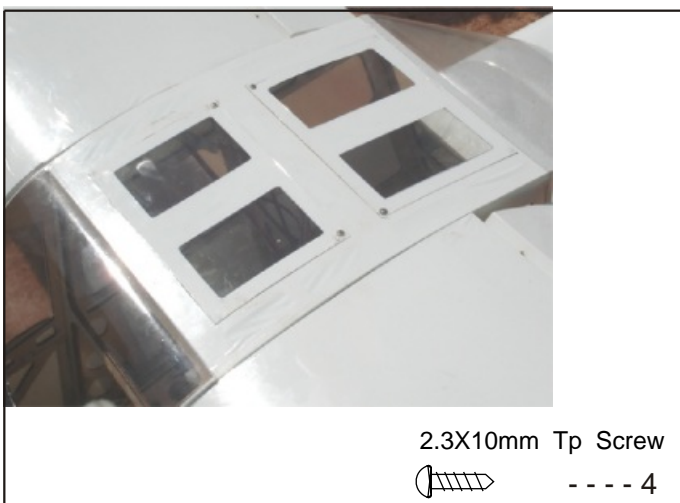
21 Install the window



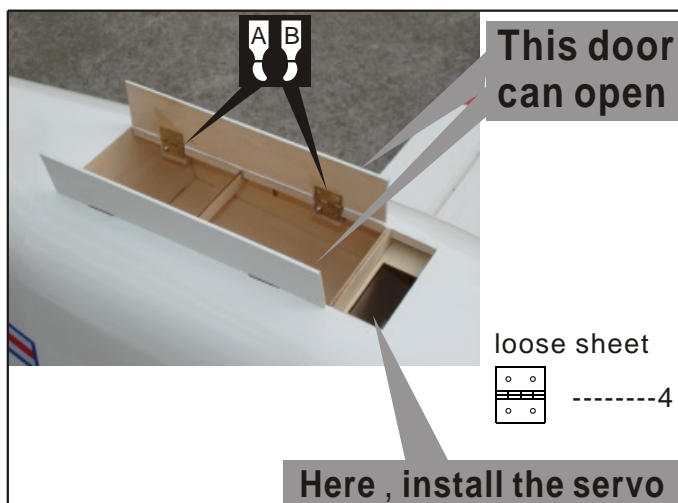
24 Install the door



22 Install the cover

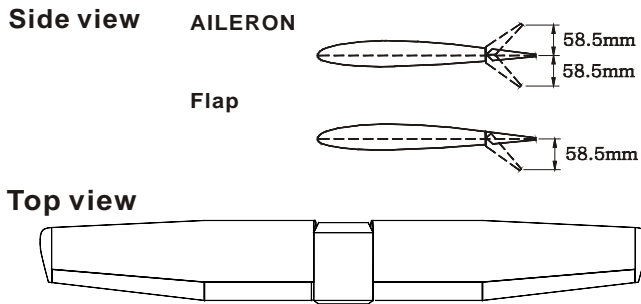


25 Install the door



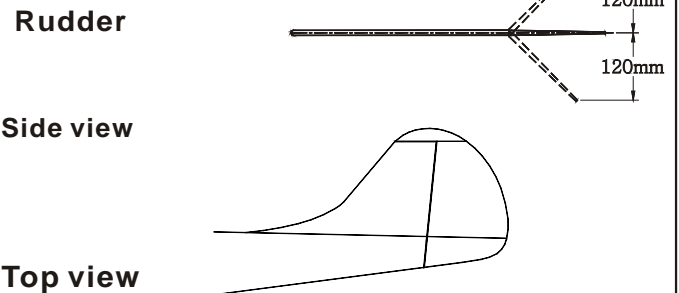
26 Adjustment.

Adjust the travel of each control surface to the values in the diagrams.
These values fit general flight capabilities.
Readjust according to your needs and flight level.



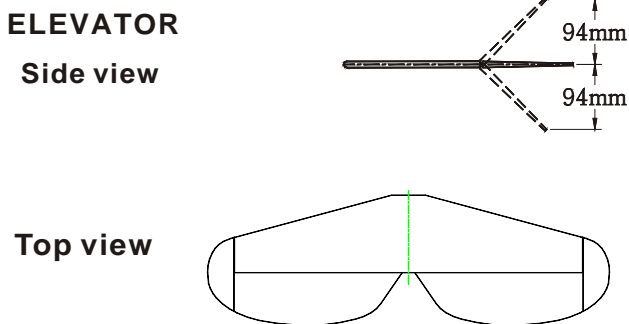
28 Adjustment

Adjust the travel of each control surface to the values in the diagrams.
These values fit general flight capabilities.
Readjust according to your needs and flight level.



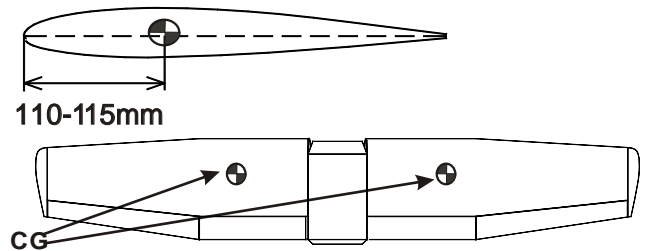
27 Adjustment.

Adjust the travel of each control surface to the values in the diagrams.
These values fit general flight capabilities.
Readjust according to your needs and flight level.



29 Adjustment.

Never fly before checking the Cg ' s required position.
In order to obtain the CG specified ,reposition the receiver and battery.



警告
Warning!

NEVER fly the model without well balancing.