

RANGE COMPOSITION

The range consists of 21 models of refrigerated tables with a capacity varying from 265 to 560 litres that offer excellent standards in terms of performance and efficiency. These models are available with built in or remote refrigerating unit and with various combinations of doors and drawers. The models detailed in this sheet are 3 refrigerated tables with a capacity varying from of 265 to 560 litres and with a remote refrigerating unit.



726202

AU SERIES

REFRIGERATED TABLES - REMOTE ZANUSSI PROFESSIONAL

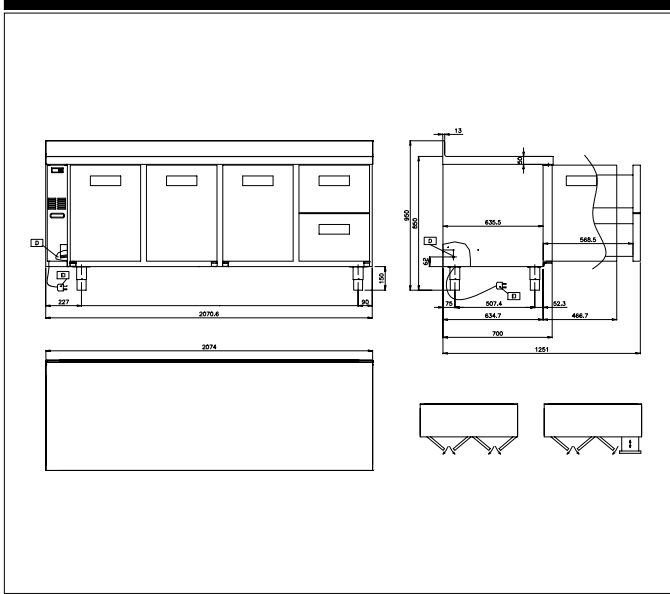
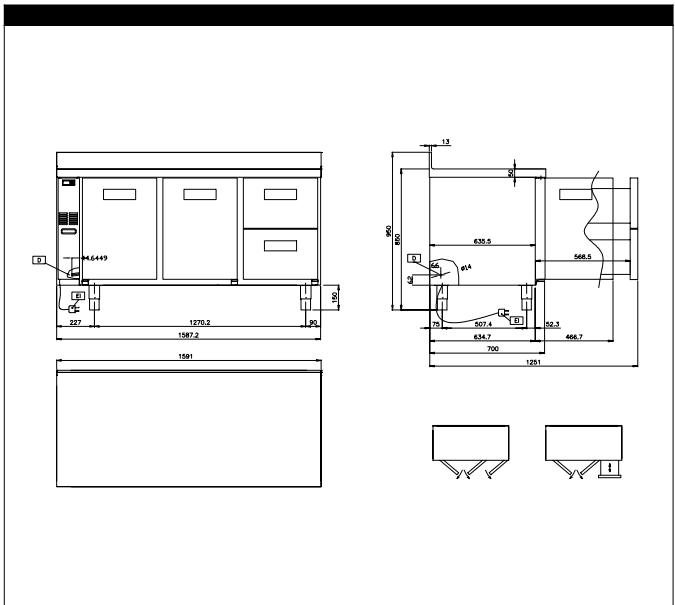
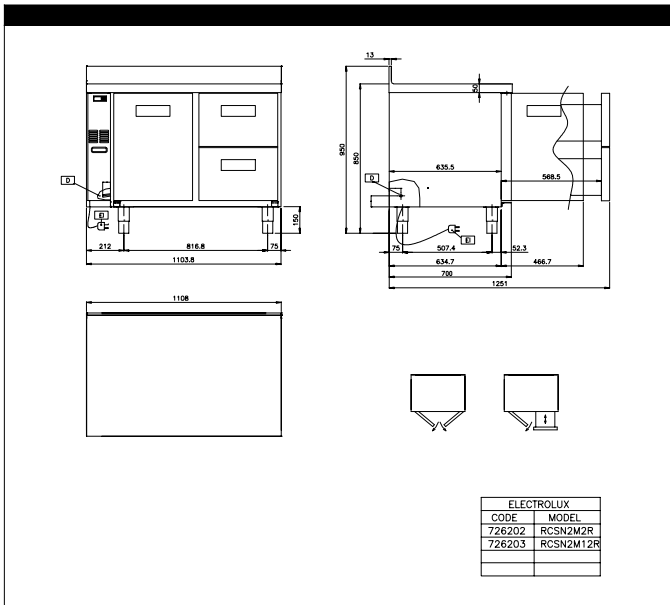
FUNCTIONAL AND CONSTRUCTION FEATURES

- ◆ Internal and external doors, front and side panels and removable worktop in 304 AISI stainless steel.
- ◆ External back in galvanized steel.
- ◆ The removable top is made in 304 AISI and is 50 mm in thickness.
- ◆ High-density expanded cyclopentane insulating foam, 50 mm in thickness guarantees exceptional, long-term insulation and notable energy savings.
- ◆ Legs (150 mm high) in 304 AISI stainless steel - adjustable in height.
- ◆ Evaporator foamed in the backside protected from acids.
- ◆ Digital control panel allowing the easy and precise setting and control of the internal temperature.
- ◆ Kit basin with heating elements for automatic evaporation of defrosting water available as accessory.
- ◆ Completely automatic defrosting.
- ◆ Operating temperature: -2/+10°C.
- ◆ High standards of hygiene and ease of cleaning are guaranteed by the rounded internal corners and easily removable supports and grids.

- ◆ Self-closing door, in positions less than 90°, equipped with a door seal to guarantee perfect closure.
- ◆ Refrigerant gas R404a.
- ◆ Possibility to install on socket.
- ◆ Kit 1/2 drawers available as accessory.
- ◆ The refrigeration unit can operate in

- tropical climates (+43°C ambient temperature).
- ◆ CFC and HCFC free.

CHARACTERISTICS	MODELS		
	RCSN2M2R 726202	RCSN3M3R 726210	RCSN4M4R 726213
Operating temperature - min/max °C	-2/10	-2/10	-2/10
Operating mode	Ventilated	Ventilated	Ventilated
Gross capacity (D.I.N. 8952) - l.	265	415	560
Control type	Digital	Digital	Digital
External dimensions - mm			
width	1108	1587	2071
depth/with open doors	700, 1102	700, 1102	700, 1102
height	850	850	850
Internal dimensions - mm			
width	365	365	365
depth	580	580	580
height	543	543	543
Top material	304 AISI	304 AISI	304 AISI
Min/Max internal humidity - %	50	50	50
Door hinges	1 Left+1 Right	1 Left+2 Right	2 Left+2 Right
N° and type of grids (included)	2, GN 1/1	3, GN 1/1	4, GN 1/1
N° defrost in 24 hrs.	every 6 hours	every 6 hours	every 6 hours
Refrigerant type	R404a	R404a	R404a
Noise level - dBA	48	48	48
Net weight - kg.	107	130	174
Power supply - V, phases, Hz	230 V, 1N, 50	230 V, 1N, 50	230 V, 1N, 50
INCLUDED ACCESSORIES			
1/1 GN GREY "RILSAN" GRID	2	3	4



	RCSN2M2R 726202	RCSN3M3R 726210	RCSN4M4R 726213
D - Water drain	16mm	16mm	16mm
ED - Remote electrical connection	●	●	●
EI - Electrical connection	230 V, 1N, 50	230 V, 1N, 50	230 V, 1N, 50
RI - Remote refrigeration connection	●	●	●

ACCESSORIES	MODELS		
	RCSN2M2R 726202	RCSN3M3R 726210	RCSN4M4R 726213
AUTOMATIC DEFROST WITH WASTE EVAPORATION	880028	880028	880028
KIT 2 S/S GRIDS GN1/1 FOR REFRIG.TABLES	880139	880139	880139
KIT 4 WHEELS (2 W/BRAKE)+4 (40MM)SPACERS	880025	880025	880025
KIT DOOR REVERSIBILITY FOR REF.TABLES	880046	880046	880046
KIT HACCP EKIS	922166	922166	922166
KIT INTEGRATED HACCP-DIG. REFR. (IR33)	880205	880205	880205
LOCK KIT	880024	880024	880024
PLASTIC CONTAINER GN 1/1 H=150 MM	881040	881040	881040
PLASTIC CONTAINER GN 1/1 H=65 MM	881038	881038	881038
PRINTER FOR HACCP BASIC VERSION REFRIG.	881457	881457	881457
REMOTE UNIT FOR 2-3 DOOR REFRIG.TABLES	880044	880044	
REMOTE UNIT FOR 4 DOOR REFRIG.TABLES			880045
S/S STRUCTURE TO SUPPORT 6 GRIDS (R+L)	880140	880140	880140
STRUCTURE TO SUPPORT 3 GRIDS(RIGHT+LEFT)	880047	880047	880047
TWO 1/2 DRAWER KIT	880023	880023	880023



www.zanussiprofessional.com