

RANGE COMPOSITION

Chilling means bringing the temperature of cooked food from +90°C to +3°C in a short time lap to minimize bacteria proliferation and avoid loss of food consistency and texture. The ZANUSSI easyChill Blast Chillers/Freezers reduce temperature to +3°C at food core in less than 90 minutes and down to -18°C in less than four hours. After the Blast Chilling a holding cycle starts automatically to respectively maintain food at +3°C and -18°C. Blast freezed food has a solid 6 months/1 year shelf life without loss of flavour, nutritional values and weight. The opportunity to prepare in a single shot the food to be used in different times during the week enables a better work scheduling and therefore a sensible reduction in labour costs.



110723

56 KG - 20 GN 1/1

ACTIVE BLAST CHILLER / FREEZERS **ZANUSSI** PROFESSIONAL

FUNCTIONAL AND CONSTRUCTION FEATURES

- ◆ Soft Chilling (Air temperature -2°C).
- ◆ Hard Chilling (Air temperature -20°C).
- ◆ All the probe-driven cycles feature ARTE (Algorithm for Remaining Time Estimation): the machine displays the actual time needed to end the cycle and to make planning the activities easier.
- ◆ Holding at +3°C (automatically activated at the end of each cycle).
- ◆ Turbo cooling: the chiller works continuously at the desired temperature. Ideal for continuous production and for pastry application.
- ◆ Automatic recognition of the insertion of the food probe (cycles piloted either by food probe temperature or by time)
- ◆ Single sensor core probe as standard.

CHARACTERISTICS	MODELS
	BCF64A 110723
Power supply	Electric
Productivity per cycle - kg.	
NF Regulations - chilling / freezing	43.2
UK Guide lines - chilling / freezing	64, 56
Gross capacity (D.I.N. 8952) - l.	560
Cooling unit	Built-In
External dimensions - mm	
width	800
depth/with open doors	835, 1570
height	2230
Internal dimensions - mm	
width	680
depth	450
height	1500
N° and type of door	1
Door hinges	Right Side
Trays type	GN 1/1; 600x400
Max load capacity - trays h 65 mm - n°	12
Compressor power - HP	3
N° defrost in 24 hrs.	3
Refrigerant type	R404a
Refrigerant quantity - g.	3600
Refrigeration power - W	2810
Refrigerant power	
at evaporation temperature - °C	-30
Power - kW	
installed-electric	3.933
Noise level - dBA	71.5
Net weight - kg.	235
Power supply - V, phases, Hz	400 V, 3N, 50
INCLUDED ACCESSORIES	
1 SINGLE SENSOR PROBE CHILLER+C/FREEZER	1
REMOVABLE TRAY SUPPORT RACK FOR 20 GN1/1	4

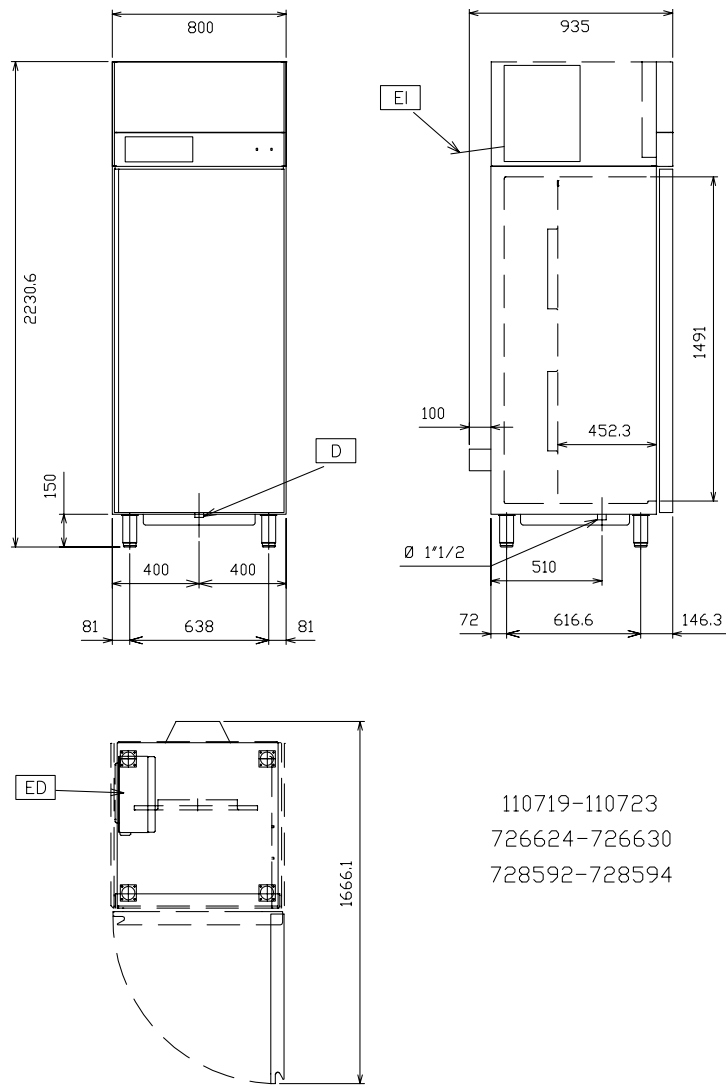
- ◆ The control unit provides several operating settings: time/core temperature according to NF and UK regulations, time/air temperature/probe personalised according to national regulations, sterilizing cycle: UV lamps built-in (on request), 3 single sensor or 3-sensor temperature probes (as accessory), ideal for meats, automatic defrosting and manual defrosting. All parameters are programmable.
- ◆ The control unit provides two large displays to read out: time, core temperature, residual time, alarms, service information.
- ◆ Two customizable cycles for each operating modes, allowing setting time and air temperature. These two programs (P1-P2) can be converted into ice-cream specialist cycles (shape maintenance and holding).
- ◆ All information related to the different operating models are recorded: date, time, cycle, core temperature, holding temperature, HACCP accordance.
- ◆ An audible alarm starts when the cycle ends or terminates abnormally.
- ◆ Chilling times can vary according to food quantity, density, moisture contents and type of containers.
- ◆ Internal and external finishing in 304 AISI stainless steel and backpanel in galvanized steel.
- ◆ HCFC, CFC and HFC free insulation (Cyclopentane), HCFC and CFC free refrigerant gas (R404a).
- ◆ Developed and produced in ISO 9001 and ISO 14001 certified factory.
- ◆ Inner cell with rounded corners.
- ◆ Door equipped with removable magnetic gasket with hygienic design.
- ◆ Evaporator with antirust protection.
- ◆ Ventilator swinging panel for easy access to the evaporator.
- ◆ Automatic heated door frame.

- ◆ Hot gas defrosting system.
- ◆ Thermostatic expansion valve to optimize the cooling unit efficiency.
- ◆ Adjustable feet 150 mm high.
- ◆ Stand alone printer as accessory.
- ◆ PC connection as accessory, gate RS 485. No water connections required: Waste water can be plumbed into drain, but can also be collected in an optional waste container.

ACCESSORIES	MODELS
	BCF64A 110723
3-SENSOR PROBE FOR CHILLER+C/FREEZER	880088
60-MM PITCH ROLL-IN RACK FOR 20X1/1	922203
80MM PITCH ROLL-IN RACK 14X1/1GN	922205
KIT 3 SINGLE SENSOR PROBES FOR BC/BCF	880269
KIT HACCP ADVANCED CONNECT. BC/BCF LW+CW	880183
KIT HACCP EKIS	922166
PAIR OF 1/1 GN AISI 304 S/S GRIDS	921101
PLASTIC COATED GRID-600X400 MM	880864
PRINTER FOR HACCP BASIC VERSION	881532
RACK RAILS FOR VERTICAL BLAST CHILLER	881182
REMOVABLE TRAY SUPPORT RACK FOR 20 GN1/1	881010
RILSAN COATED GRID	881061
TROLLEY FOR 20X1/1 ROLL-IN RACK	922132



www.zanussiprofessional.com



110719-110723
 726624-726630
 728592-728594

	<p>BCF64A 110723</p>
<p>EI - Electrical connection</p>	<p>400 V, 3N, 50</p>



www.zanussiprofessional.com