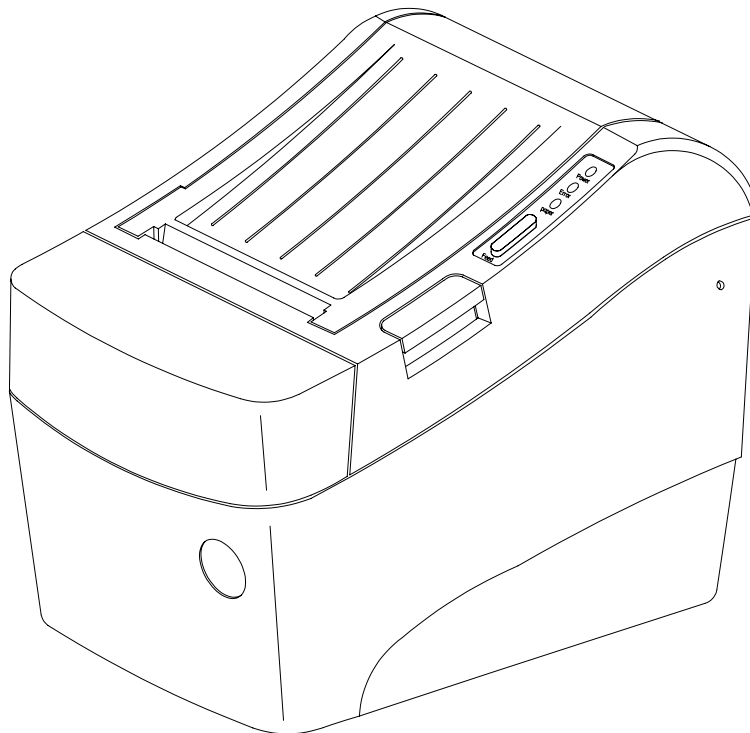


User's Manual

SRP-370

Thermal Printer
Rev. 1.00



■ Safety Precautions

In using the present appliance, please keep the following safety regulations in order to prevent any hazard or material damage.



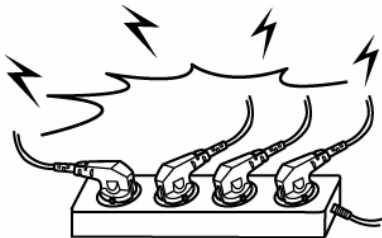
WARNING

Violating following instructions can cause serious injury or death.

Do not plug several products in one multi-outlet.

- This can provoke over-heating and a fire.
- If the plug is wet or dirty, dry or wipe it before usage.
- If the plug does not fit perfectly with the outlet, do not plug in.
- Be sure to use only standardized multi-outlets.

PROHIBITED



You must use only the supplied adapter.

- It is dangerous to use other adapters.

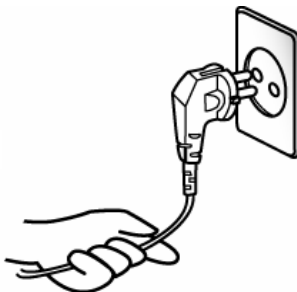
PROHIBITED



Do not pull the cable to unplug.

- This can damage the cable, which is the origin of a fire or a breakdown of the printer.

PROHIBITED



Keep the plastic bag out of children's reach.

- If not, a child may put the bag on his head.

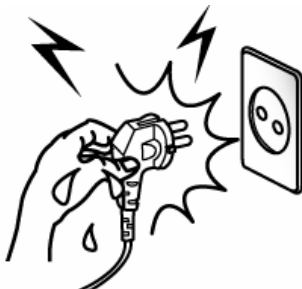
PROHIBITED



Do not plug in or unplug with your hands wet.

- You can be electrocuted.

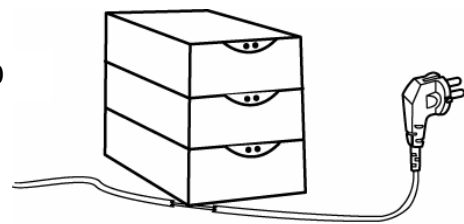
PROHIBITED



Do not bend the cable by force or leave it under any heavy object.

- A damaged cable can cause a fire.

PROHIBITED





CAUTION

Violating following instructions can cause slight wound or damage the appliance.

If you observe a strange smoke, odor or noise from the printer, unplug it before taking following measures.

- Switch off the printer and unplug the set from the mains.
- After the disappearance of the smoke, call your dealer to repair it.

TO UNPLUG



Keep the desiccant out of children's reach.

- If not, they may eat it.

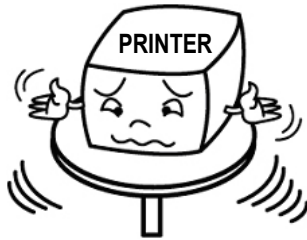
PROHIBITED



Install the printer on the stable surface.

- If the printer falls down, it can be broken and you can hurt yourself.

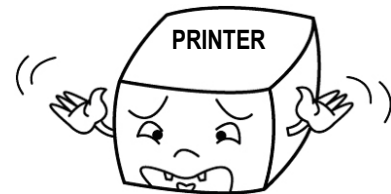
PROHIBITED



Use only approved accessories and do not try to disassemble, repair or remodel it for yourself.

- Call your dealer when you need these services.
- Do not touch the blade of auto cutter.

DISASSEMBLING PROHIBITED



Do not let water or other foreign objects in the printer.

- If this happened, switch off and unplug the printer before calling your dealer.

PROHIBITED



Do not use the printer when it is out of order. This can cause a fire or an electrocution.

- Switch off and unplug the printer before calling your dealer.

TO UNPLUG



■ Warning - U.S.A

This equipment has been tested and found to comply with the limits for a Class A digital device pursuant to Part 15 of the FCC Rules. These limits are designed to provide reasonable protection against harmful interference when the equipment is operated in a commercial environment. This equipment generates uses, and can radiate radio frequency energy and, if not installed and used in accordance with the instruction manual, may cause harmful interference to radio communications. Operation of this equipment in a residential area is likely to cause harmful interference in which case the user will be required to correct the interference at his own expense.

■ Notice - Canada

This Apparatus complies with class "A" limits for radio interference as specified in the Canadian department of communications radio interference regulations.

Get appareil est conforme aux normes class "A" d'interference radio tel que specifier par ministre canadien des communications dans les reglements d'interference radio.

■ Caution

Some semiconductor devices are easily damaged by static electricity. You should turn the printer "OFF", before you connect or remove the cables on the rear side, in order to guard the printer against the static electricity. If the printer is damaged by the static electricity, you should turn the printer "OFF".

■ Waste Electrical and Electric Equipment (WEEE)



This marking shown on the product or its literature, indicates that it should not be disposed with other household wastes at the end of its working life. To prevent possible harm to the environment or human health from uncontrolled waste disposal, please separate this from other types of wastes and recycle it responsibly to promote the sustainable reuse of material resources. Household users should contact either the retailer where they purchased this product, or their local government office, for details of where and how they can take this item for environmentally safe recycling. Business users should contact their supplier and check the terms and conditions of the purchase contract. This product should not be mixed with other commercial wastes for disposal.

■ Label Material

- * Control Label: PC
- * Other Labels: PET

■ Introduction

The SRP-370/372 Roll Printer are designed for use with electronic instruments such as system ECR, POS, banking equipment, computer peripheral equipment, etc.

The main features of the printer are as follows:

1. High speed printing : 47(1/6" Feed) lines per second.
2. Low noise thermal printing.
3. RS-232, Parallel, USB
4. The data buffer allows the unit to receive print data even during printing.
5. Peripheral units drive circuit enables control of external devices such as cash drawer.
6. Characters can be scaled up to 64 times compared to it's original size.
7. Bar code printing is possible by using a bar code command.
8. Different print densities can be selected by DIP switches.

Please be sure to read the instruction in this manual carefully before using your new SRP-370/372.

※ NOTE

The socket-outlet shall be near the equipment and it shall be easy accessible.

※ **All specifications are subjected to change without notice.**

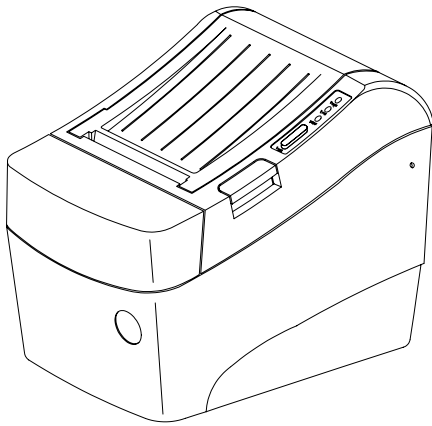
■ Table of Contents

- 1. Setting Up the Printer 7**
 - 1-1 Unpacking..... 7
 - 1-2 Connecting the Cables 8
 - 1-2-1 Serial Interface (RS-232C) 8
 - 1-2-2 Parallel Interface (IEEE1284) 9
 - 1-2-3 USB Interface 10
 - 1-3 Connecting the Drawer 10
 - 1-4 Setting the Dip Switches 11
 - 1-4-1 Serial Interface 11
 - 1-4-2 Parallel & USB Interface 12
 - 1-4-3 Auto Cutter Enable / Disable selection 12
 - 1-5 Setting the Memory Switches 13
 - 1-6 Installing or Replacing the Paper Roll..... 15
 - 1-7 Adjustments and Settings 17
 - 1-8 Using the Printer 18
 - 1-9 Connecting the computer..... 18
 - 1-10 Connecting the Power Supply 19
- 2. Self Test..... 20**
- 3. Hexadecimal Dumping 21**
- 4. Specification 22**
- 5. Appendix 23**
 - 5-1 Cleaning Printer 23

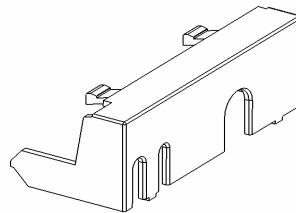
1. Setting Up the Printer

1-1 Unpacking

Your printer box should include these items. If any items are damaged or missing, please contact your dealer for assistance.



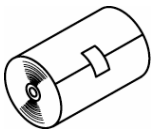
SRP-370/372



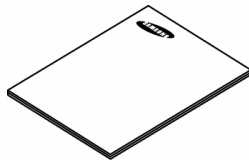
Cover Cable



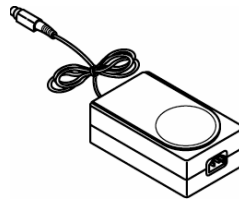
CD



Roll Paper



Manual



AC Adapter



Power Cord

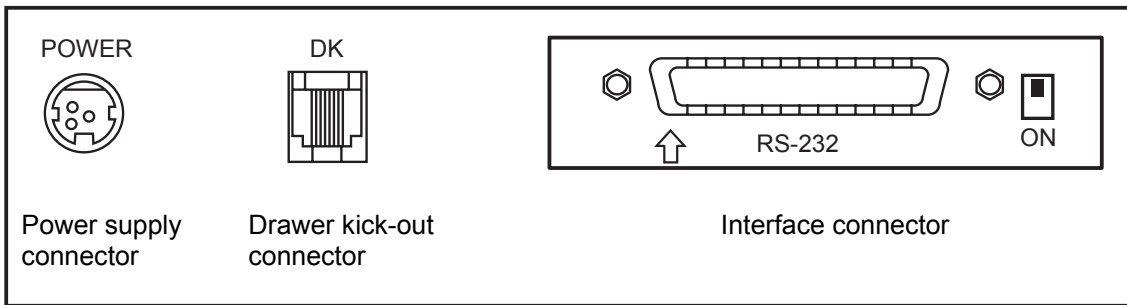
1-2 Connecting the Cables

You can connect up the three cables to the printer. They all connect to the connector panel on the back of the printer, which is shown below:

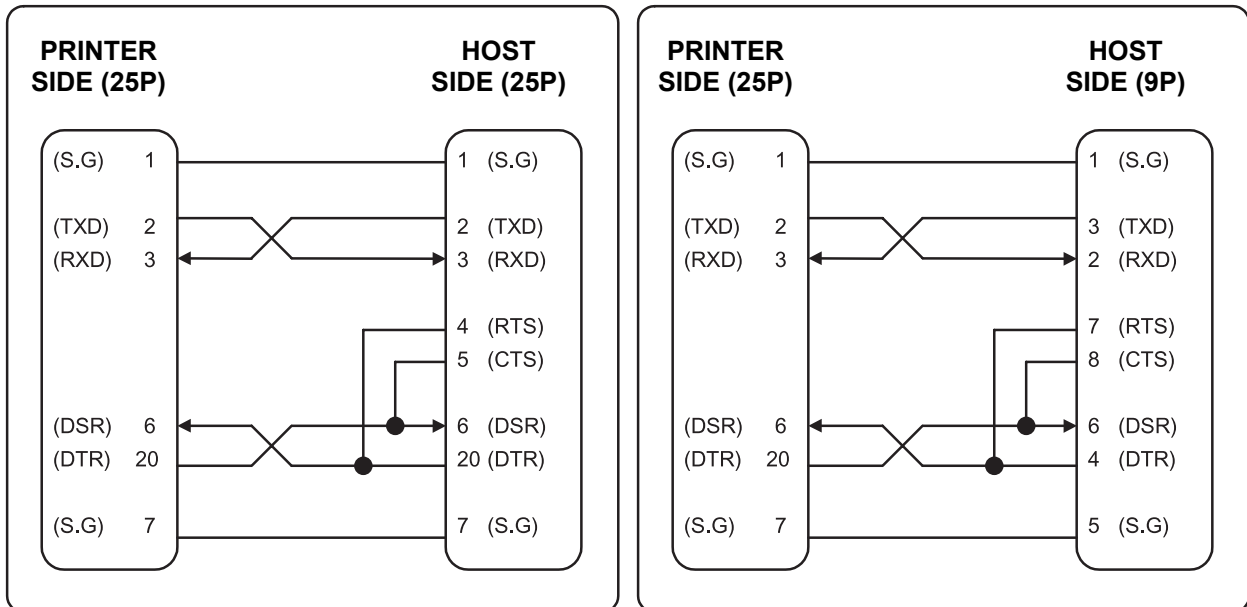
※ NOTE

Before connecting any of the cables, make sure that both the printer and the host are turned off.

1-2-1 Serial Interface (RS-232C)

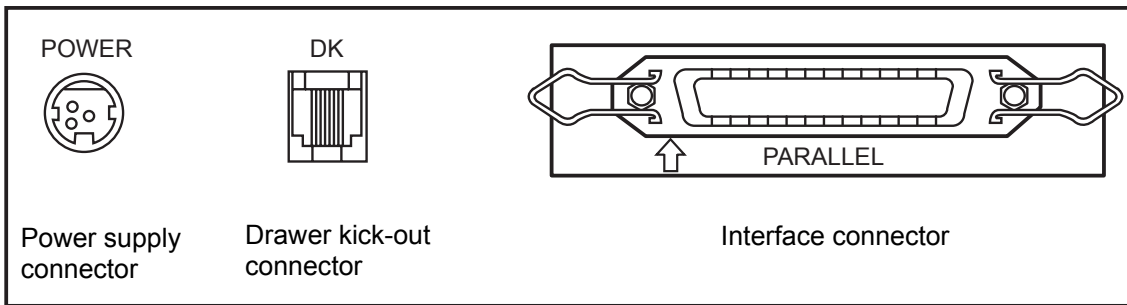


※ When the Dip Switch is “ON” on the Serial Interface Board, DTR and RTS are connected each other.



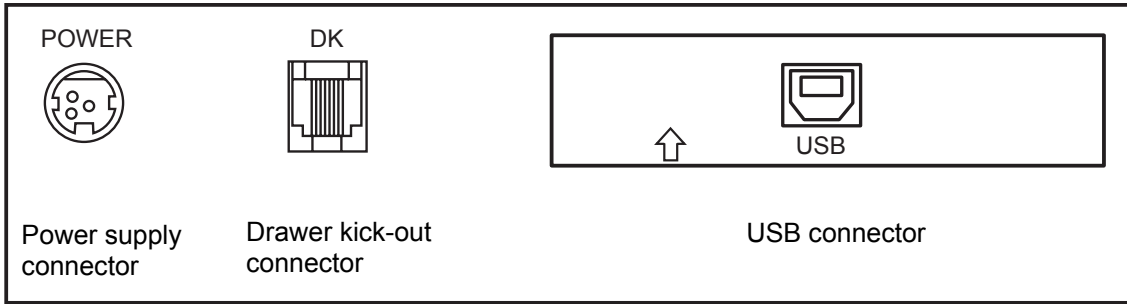
Pin No.	Signal name	Direction	Function
1	FG	-	Frame Ground
2	TxD	Output	Transmit Data
3	RxD	Input	Receive Data
4	RTS	Output	Ready To Send
5	CTS	Input	Clear To Send
6	DSR	Input	Data Set Ready
7	SG	-	Signal Ground
20	DTR	Output	Data Terminal Ready

1-2-2 Parallel Interface (IEEE1284)



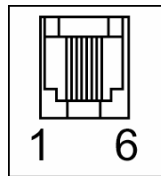
Pin No.	Source	Compatibility Mode	Nibble Mode	Byte Mode
1	Host	nStrobe	HostClk	HostClk
2	Host / Printer	Data 0 (LSB)	-	Data 0 (LSB)
3	Host / Printer	Data 1	-	Data 1
4	Host / Printer	Data 2	-	Data 2
5	Host / Printer	Data 3	-	Data 3
6	Host / Printer	Data 4	-	Data 4
7	Host / Printer	Data 5	-	Data 5
8	Host / Printer	Data 6	-	Data 6
9	Host / Printer	Data 7 (MSB)	-	Data 7 (MSB)
10	Printer	nAck	PtrClk	PtrClk
11	Printer	Busy	PtrBusy /Data3,7	PtrBusy
12	Printer	Perror	AckDataReq/Data2,6	AckDataReq
13	Printer	Select	Xflag /Data1,5	Xflag
14	Host	nAutoFd	HostBusy	HostBusy
15		NC	NC	NC
16		GND	GND	GND
17		FG	FG	FG
18	Printer	Logic-H	Logic-H	Logic-H
19~30		GND	GND	GND
31	Host	nInIt	nInIt	nInIt
32	Printer	nFault	nDataAvail /Data0,4	nDataAvail
33		GND	ND	ND
34	Printer	DK_Status	ND	ND
35	Printer	+5V	ND	ND
36	Host	nSelectIn	1284-Active	1284-Active

1-2-3 USB Interface



Pin No.	Signal Name	Assignment (Color)	Function
Shell	Shield	Drain Wire	Frame Ground
1	VBUS	Red	Host Power
2	D-	White	Data Line(D-)
3	D+	Green	Data Line(D+)
4	GND	Black	Signal Ground

1-3 Connecting the Drawer



※ WARNING

Use a drawer that matches the printer specification.
Using an improper drawer may damage the drawer as well as the printer.

※ CAUTION

Do not connect a telephone line to the drawer kick-out connector; otherwise the printer and the telephone line may be damaged.

Plug the drawer cable into the drawer kick-out connector on the back of the printer next to the power supply connector.

Pin No.	Signal name	Direction
1	Frame ground	-
2	Drawer kick- out drive signal 1	Output
3	Drawer open/close signal	Input
4	+24V	-
5	Drawer kick- out drive signal 2	Output
6	Signal ground	-

1-4 Setting the Dip Switches

1-4-1 Serial Interface

Switch No.	Function	ON	OFF	Default
SW1-1	Baud Rate Selection	* Refer to below Table		ON
SW1-2				ON
SW1-3	Handshaking	Software (Xon/Xoff)	Hardware (DTR/DSR)	OFF
SW1-4	Reserved	--		OFF
SW1-5	Cutter Function	Disable	Enable	OFF
SW1-6	Paper	2 Color	Mono	OFF
SW1-7	Reserved	--		OFF
SW1-8	Reserved	--		ON

DIP switch Setting 1 Function

SW1-1	SW1-2	Trans- Speed	Remark
OFF	OFF	9600 Baud	
ON	OFF	19200 Baud	
OFF	ON	38400 Baud	
ON	ON	115200 Baud	Default

Baud Rate Selection

Switch No.	Function	ON	OFF	Default
SW2-1	Select Print Density	* Refer to below Table		OFF
SW2-2				OFF
SW2-3				OFF
SW2-4	Historical Control	Enable	Disable	OFF
SW2-5	Reserved	--		OFF
SW2-6	Interface Condition Selection	by Memory Switch	by DIP Switch	OFF
SW2-7	Reserved	--		OFF
SW2-8	Printing width	2" Printing	3" Printing	OFF

DIP switch Setting 2 Function

SW 2-1	SW 2-2	SW 2-3	Print Density	Remark
ON	ON	ON	130%	
OFF	ON	ON	120%	
ON	OFF	ON	110%	
OFF	OFF	ON	105%	
OFF	OFF	OFF	100%	Default
ON	OFF	OFF	95%	
OFF	ON	OFF	90%	
ON	ON	OFF	80%	

Select Print Density

1-4-2 Parallel & USB Interface

Switch No.	Function	ON	OFF	Default
SW2-1	Select Print Density	* Refer to below Table		OFF
SW2-2				OFF
SW2-3				OFF
SW2-4	Historical Control	Enable	Disable	OFF
SW2-5	Reserved	--		OFF
SW2-6	Interface Condition Selection	by Memory Switch	by DIP Switch	OFF
SW2-7	Reserved	--		OFF
SW2-8	Printing width	2" Printing	3" Printing	OFF

DIP switch Setting 2 Function

SW 2-1	SW 2-2	SW 2-3	Print Density	Remark
ON	ON	ON	130%	
OFF	ON	ON	120%	
ON	OFF	ON	110%	
OFF	OFF	ON	105%	
OFF	OFF	OFF	100%	Default
ON	OFF	OFF	95%	
OFF	ON	OFF	90%	
ON	ON	OFF	80%	

Select Print Density

1-4-3 Auto Cutter Enable / Disable selection

Dip Switch Set 1		
SW 5	ON	Auto Cutter Disabled
Application	Ignores Auto Cutter error for continuous printing.	

1-5 Setting the Memory Switches

This printer has “Memory Switch” set which is software switches. Memory Switch set has “MSW1”, “MSW2”, “MSW8”, “MSW9” “Customize value”, “Serial communication condition”. “Memory Switch setting utility” can change the Memory Switch set to ON or OFF as shown in the table below (default : all OFF) :

※ NOTE

The Memory Switch is available to be changed by three methods :

- Memory Switch setting utility.
- Control from ESC/POS command.

Settings of the Memory Switch are stored in the NV memory : therefore, even if the printer is turned off, the settings are maintained.

MSW1

Switch	Function	ON	OFF
1~3	Reserved	--	Fixed to OFF
4	Cutting + Bell (Kitchen Printer)	Enable	Disable
5	Auto Line Feed	Enable	Disable
6~8	Reserved	--	Fixed to OFF

MSW2

Switch	Function	ON	OFF
1	Font Selection	Font B (9 x 24)	Font A (12 x 24)
2	Auto Cutter Function	Full Cutting	Partial Cutting
3	Reserved	--	Fixed to OFF
4~8	Code Page Selection	Refer to following Table	

MSW2-8	MSW2-7	MSW2-6	MSW2-5	MSW2-4	Character Table
OFF	OFF	OFF	OFF	OFF	Page 0 437
OFF	OFF	OFF	OFF	ON	Page 1 Katakana
OFF	OFF	OFF	ON	OFF	Page 2 850
OFF	OFF	OFF	ON	ON	Page 3 860
OFF	OFF	ON	OFF	OFF	Page 4 863
OFF	OFF	ON	OFF	ON	Page 5 865
OFF	OFF	ON	ON	OFF	Page 16 1252
OFF	OFF	ON	ON	ON	Page 17 866
OFF	ON	OFF	OFF	OFF	Page 18 852
OFF	ON	OFF	OFF	ON	Page 19 858
OFF	ON	OFF	ON	OFF	Reserved
OFF	ON	OFF	ON	ON	Page 22 864
OFF	ON	ON	OFF	OFF	Page 23 Thai42
OFF	ON	ON	OFF	ON	Page 24 1253
OFF	ON	ON	ON	OFF	Reserved
OFF	ON	ON	ON	ON	
ON	OFF	OFF	OFF	OFF	
ON	OFF	OFF	OFF	ON	Page 28 1251
ON	OFF	OFF	ON	OFF	Page 29 737
ON	OFF	OFF	ON	ON	Reserved
ON	OFF	ON	OFF	OFF	Page 31 Thai16
ON	OFF	ON	OFF	ON	Reserved
ON	OFF	ON	ON	OFF	Page 33 1255
ON	OFF	ON	ON	ON	Reserved
ON	ON	OFF	OFF	OFF	
ON	ON	OFF	OFF	ON	Page 36 855
ON	ON	OFF	ON	OFF	Page 37 857

MSW8

Switch	Function	ON	OFF
1~8	Reserved	--	Fixed to OFF

MSW9

Switch	Function	ON	OFF
1	Reserved	--	Fixed to OFF
2	Data Length	7 Bits	8 Bits
3	Parity Selection	Even	Odd
4	Parity Check	Enable	Disable
5	Flow Control	XON/XOFF	DTR/DSR
6~8	Baud Rate Selection	Refer to following Table	

MSW9-8	MSW9-7	MSW9-6	Baud Rate
OFF	OFF	OFF	9600
OFF	OFF	ON	19200
OFF	ON	OFF	38400
OFF	ON	ON	57600
ON	OFF	OFF	115200

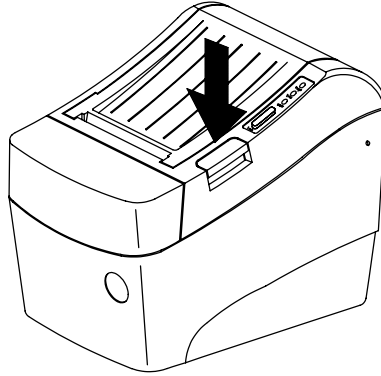
1-6 Installing or Replacing the Paper Roll

※ NOTE

Be sure to use paper rolls that meet the specifications. Do not use paper rolls that have the paper glued to the core because the printer cannot detect the paper end correctly.

1-6-1 Make sure that the printer is not receiving data; otherwise, data may be lost.

1-6-2 Open the paper roll cover by pressing the cover-open button.

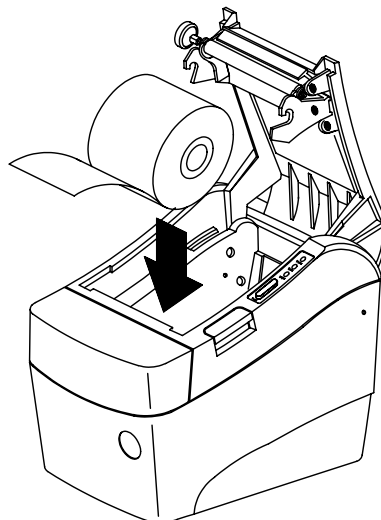


※ NOTE

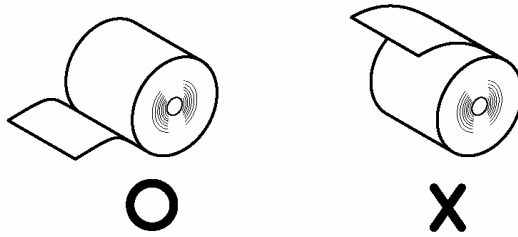
Do not open the print cover while the printer is operating. This may damage the printer.

1-6-3 Remove the used paper roll core if there is one.

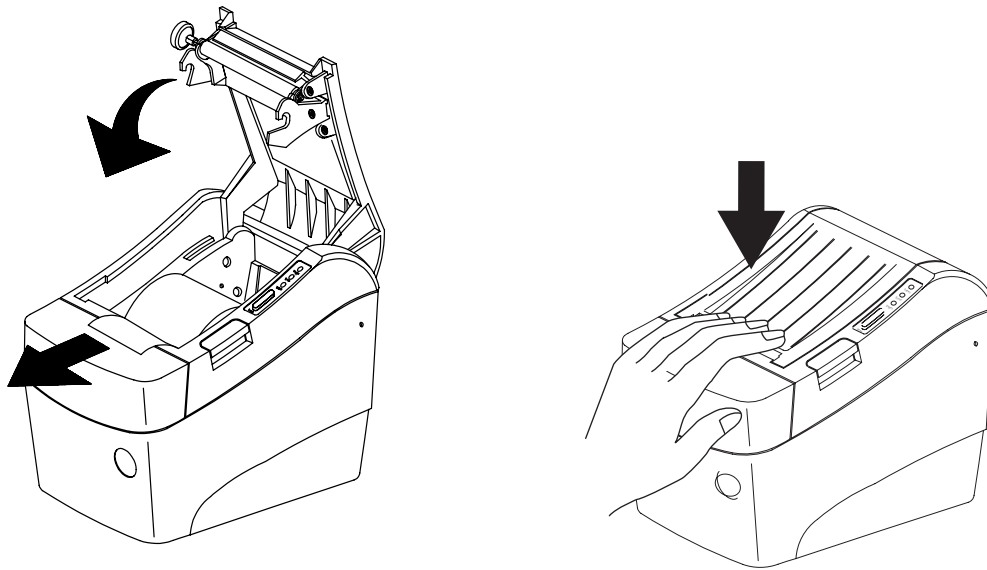
1-6-4 Insert the paper roll as shown.



1-6-5 Be sure to note the correct direction that the paper comes off the roll.



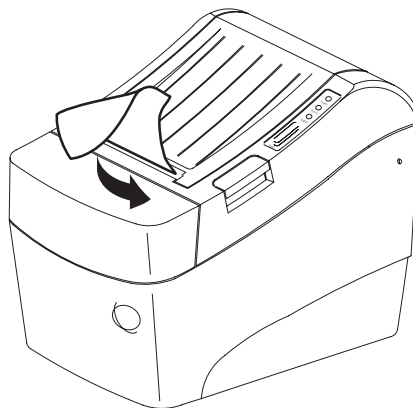
1-6-6 Pull out a small amount of paper, as shown. Then close the cover.



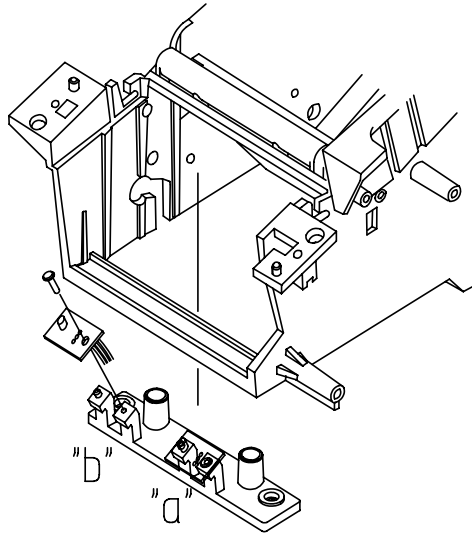
※ NOTE

When closing the cover, press the center of printer cover firmly to prevent paper miss-loading.

1-6-7 Tear off the paper as shown.



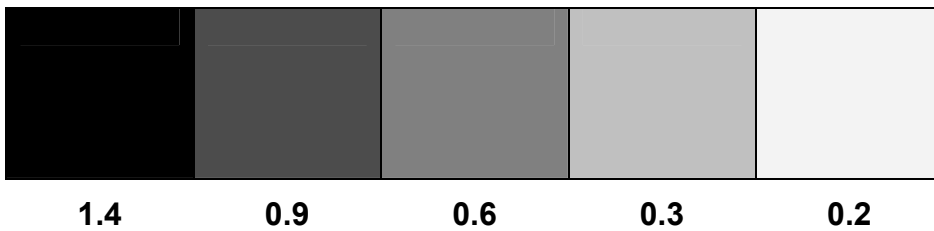
1-7 Adjustments and Settings



It has 2 features ; Paper end and Black mark. For detecting Paper End, it must be positioned at "a" Position in drawing and it is a factory default setting. For detecting Black mark printed on the paper, it must be moved to "b" position.

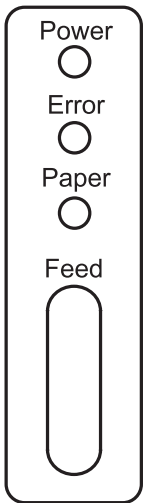
Optical density (O.D) must be higher than 0.6 in density to secure a standard working condition. Make sure if the density of paper black mark is lesser it might be a cause of normality.

Table of O.D value. (Reference)



1-8 Using the Printer

Control Panel



POWER

The POWER light is on whenever the printer is on.

ERROR

This indicates an error.

PAPER

This light indicates the near end of the paper roll. Install a new paper roll and the printer will continue printing. When the light blinks, it indicates the self-test printing standby state or macro execution Standby state when the macro execution command is used.

FEED

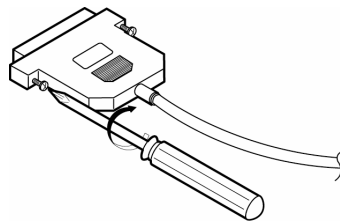
The button can be disabled by the ESC c 5 command. Press the FEED button once to advance paper one line. You can also hold down the FEED button to feed paper continuously.

1-9 Connecting the computer

You need an appropriate interface cable.

1-9-1 Plug the cable connector securely into the printer's interface connector.

1-9-2 Tighten the screws on both sides of the cable connector.



1-9-3 Attach the other end of the cable to the computer.

1-10 Connecting the Power Supply

※ CAUTIONS

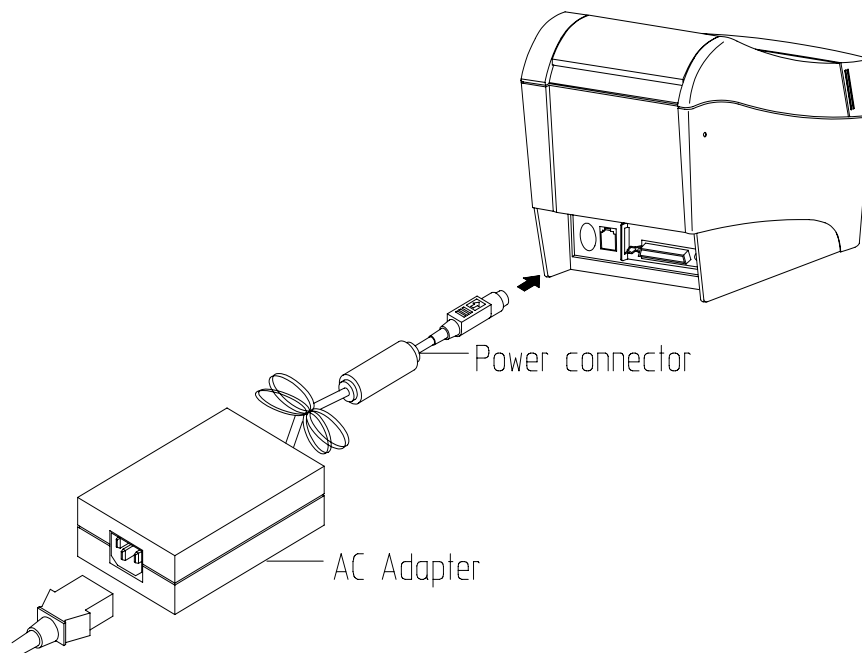
When connecting or disconnecting the power supply from the printer, make sure that the power supply is not plugged into an electrical outlet. Otherwise you may damage the power supply or the printer.

If the power supply's rated voltage and your outlet's voltage do not match, contact your dealer for assistance. Do not plug in the power cord. Otherwise, you may damage the power supply or the printer.

1-10-1 Make sure that the printer's power switch is turned off, and the power supply's power cord is unplugged from the electrical outlet.

1-10-2 Check the label on the power supply to make sure that the voltage required by the power supply matches that of your electrical outlet.

1-10-3 Plug in the power supply's cable as shown below. Notice that the flat side of the plug faces down.



※ NOTE

To remove the DC cable connector, make sure that the power supply's power cord is unplugged; then grasp the connector at the arrow and pull it straight out.

2. Self Test

The self-test checks whether the printer has any problems. If the printer does not function properly, contact your dealer. The self-test checks the following;

2-1 Make sure paper roll has been installed properly.

2-2 Turn on the power while holding down the FEED button. The self-test begins.

2-3 The self-test prints the current printer status, which provides the control ROM version and the DIP switch setting.

2-4 After printing the current printer status, self-test printing will print the following, and pause (The PAPER LED light blinks).

**Self-test printing.
Please press the FEED button**

2-5 Press the FEED button to continue printing.

The printer prints a pattern using the built-in character set.

2-6 The self-test automatically ends and cuts the paper after printing the following.

***** COMPLETED *****

2-7 The printer is ready to receive data as soon as it completes the self-test.

3. Hexadecimal Dumping

This feature allows experienced users to see exactly what data is coming to the printer. This can be useful in finding software problems. When you turn on the hexadecimal dump function, the printer prints all commands and data in hexadecimal format along with a guide section to help you find specific commands.

To use the hexadecimal dump function, follow these steps.

3-1 After you make sure that the printer is off, open the cover.

3-2 Turn on the printer, while holding down the FEED button.

3-3 Close the cover, then the printer enters the hexadecimal dump mode.

3-4 Run any software program that sends data to the printer. The printer will print all the codes it receives in a two-column format. The first column contains the hexadecimal codes and the second column gives the ASCII characters that corresponds to the codes.

```
0000: 1B 21 00 1B - 26 02 40 40 | . ! . . & . @ @
0008: 40 40 02 0D - 1B 44 0A 14 | @ @ . . . D . .
0010: 1E 28 28 28 - 00 01 0A 41 | . ( ( ( . . . A
```

A period (.) is printed for each code that has no ASCII equivalent.

During the hex dump, all commands except DLE EOT and DLE ENQ are disabled.

3-5 When the printing finishes, turn off the printer.

3-6 Turn on the printer and then the hexadecimal mode is off.

4. Specification

Printing method		Thermal line printing	
Dot density		180 X 180 dpi (7dots/mm)	203 X 203 dpi (8dots/mm)
Printing width		57.5mm, 72.192 ± 0.2mm	
Paper width		58mm,80mm,82.5 mm	
Characters per line (default)		180 DPI 42 (Font A) 56 (Font B)	203 DPI 48 (Font A) 64 (Font B)
Printing speed	180 DPI	Mono : 47 lines/sec(1/6" Feed) 200mm/sec Color : 23.6 Line/ Sec(1/6inch feed) 100mm/sec	
	203 DPI	Mono : 42 lines/sec(1/6" Feed) 180mm/sec Color : 21 Line/ Sec(1/6inch feed) 90mm/sec	
Receive Buffer Size		64K Bytes	
※ NOTE Printing speed may be slower, depending on the data transmission speed and the combination of control commands.			
Supply voltage	Input voltage	100~240 VAC	
	Frequency	50/60 Hz	
	Output voltage	+24 VDC	
Environmental Conditions	Temperature	0 ~ 45 °C (Operating) -10 ~ 50 °C (Storage)	
	Humidity	30 ~ 80 % RH (Operating) 10 ~ 90 % RH (Storage) ; Except for paper	
MCBF *	Mechanism	Monochrome :70,000,000Lines 2Color :35,000,000Lines	
Auto cutter life *		1,200,000 Cut	

* These values are calculated under printing level 2 with recommended paper at normal temperature.

* These values may vary with environment temperature, printing level, etc.

5. Appendix

5-1 Cleaning Printer

Paper dust inside the printer may lower the print quality. In this case clean the printer as follows.

5-1-1 Open the printer cover and remove the paper if exists.

5-1-2 Clean the print head with a cotton swab moistened with alcohol solvent.

5-1-3 Clean the platen roller and paper end sensor with cotton swab moistened with water.

5-1-4 Insert a paper roll and close the printer cover.

The remained amount of paper detected by paper near end sensor varies with the diameter of the paper core.

To adjust the remained amount, contact your dealer.