

COLOUR TFT LCD MONITOR User Manual



IMPORTANT SAFETY INSTRUCTIONS:

- Please read manual before using this product.
- Please keep manual for future reference.
- Please read the cautions to prevent possible danger and loss of property
- Please enjoy the benefits of convenience, safety, and space-saving from this TFT LCD monitor in different ways.

PRODUCTS:

- This product employs integrate circuits, lower power consumption, and lower radiation emission. It has fashion designed appearance and good portability.
- With peaking, false color, exposure and histogram functions
- HDMI & YPbPr Input, to connect with Full HD Video Camera.
- LED backlight display, supports 1920×1080 HD resolution.
- With sun shade to see clearly under sunshine.
- Center Marker, Screen Marker, RGB, mono and color display, 16:9、 4:3and full screen aspect ratio switch, underscan/overscan switch, HDMI & Video signal loop output.

CAUTIONS :

1. Please do not place the display screen toward the ground.
2. Please avoid heavy impact or drop onto the ground.
3. Please do NOT use chemical solutions to clean this product. Please wipe with a clean soft cloth to maintain the brightness of the surface.
4. Please do not block any vent hole.
5. Please follow the instructions and trouble-shootings to adjust the product. Other improper adjustment may result in damage. Any further adjustment must be performed or conducted by a qualified technician.
6. Please unplug the power and remove the battery if long-term no-use, or thunder weather.

PRODUCT DESCRIPTION



1. EAR: Earphone jack
2. POWER: ON/OFF (light turns red when standby, turns green when working)
3. VIDEO: Indicator lights up when signal switch to video state.
4. YPbPr: Indicator lights up when signal switch to YPbPr state.
5. HDMI: Indicator lights up when signal switch to HDMI state.
6. F1、F2、F3、F4 :user-definable function buttons: mark, underscan, color mode, ratio, camera, peaking, false color, exposure and histogram.

Default:

F1: PEAKING

F2: FALSE COLOR

F3: EXPOSURE

F4: HISTOGRAM

7. Knob BRI/M/SEL: Press the knob to access the menu function, pressing the knob in the menu to return to the previous page or exit the menu. Rotate knob to select an option. (Default: Brightness function, rotate the knob to adjust the brightness directly.)
8. Knob VOL/ADJ: Rotate knob to confirm the selection and adjust the parameter values. (Default: Sound function, turn the knob to adjust the volume)



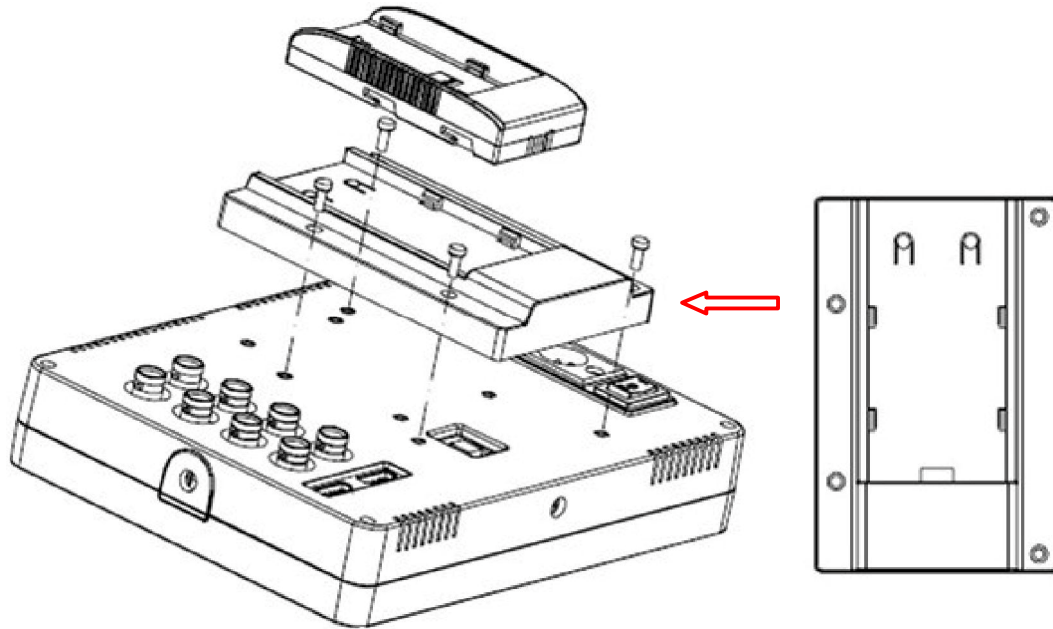
9. Sun shade cover
10. Mounting socket (left side)
11. Video signal output
12. Video signal input
13. Audio signal input
14. Y signal input
15. Pb signal input
16. Pr signal input
17. HDMI (High Definition Multimedia Interface) signal output
18. HDMI (High Definition Multimedia Interface) signal input
19. Mounting socket (bottom)
20. Battery slot
21. DC power input
22. Battery power on/off switch
23. Speaker
24. Mounting socket (right side)

There are 3 bracket jacks in the Left, right and bottom of the device, as

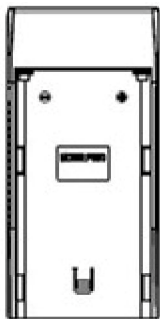
shown“”.

DVBATTERY MOUNT PLATE:

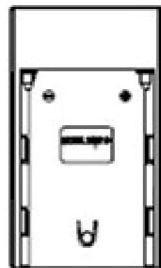
Standard mounts process :



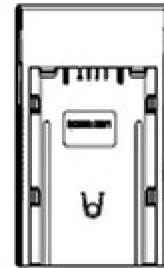
Following three types of battery plates are suitable for this device, user can choose two of the three (See the pictures below).



MODEL-F-970



MODEL-QM91D



MODEL-DU21

DV Battery Mount Plate:

Model DU21 for battery of Panasonic DV:

NV-GS/PV-GS/DZ-MV/GS/H28/H258/H288GK series, comply with Panasonic battery DU06/VBD140/SANYO DZhs301sw/Hitachi DZ-HS303SW/BZ-BP14S/DZ3200/BP07W.

Model QM91D for battery of SONY DV:

DSCR1/F/S/MVCCD/E/HC15E/HC1E/AE1u/DCRTRV828/E/CCD-TRV116/D CR-DVD/PS105K/300K/10P/1E series.

Model F970 for battery of SONY DV:

DCR-TRV series, DCR-TRV E series, VX2100E PD P series, GV-A700, GV-D800 FD/CCD-SC/TR3/FX1E/HVR-AIC, HDR-FX1000E, HVR-Z1C, HVR-V1C, FX7E F330.

SETTING MENU

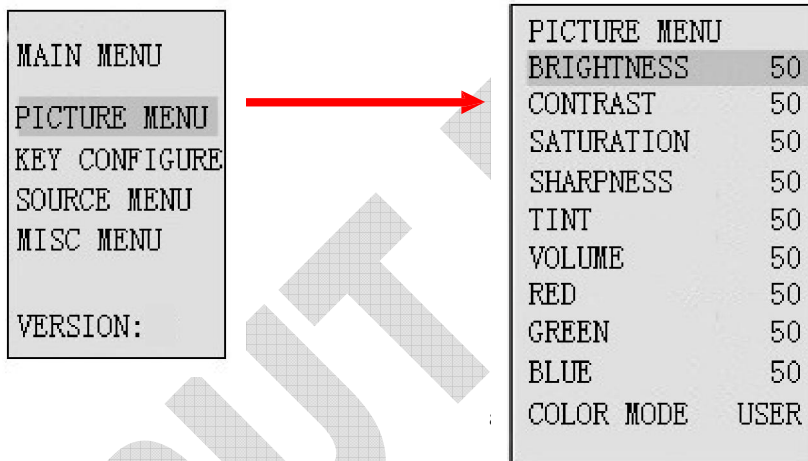
Before setting the functions, please make sure the device is connected correctly.

When power on, press BRI/M/SEL knob on the device, function menus will pop-up on the screen.

Rotate BRI/M/SEL knob to select the options displayed on the screen, than rotate SAT/ADJ knob to confirm and adjust option value.

After confirm the option value, then press BRI/M/SEL knob to return to the previous, and press the BRI/M/SEL knob again to exit the menu settings.

MAIN MENU:



PICTURE MENU:

NAME	FUNCTION
Brightness	Adjust the level of brightness
Contrast	Adjust the level of contrast
Saturation	Adjust the level of saturation
Sharpness	Adjust the sharpness of picture
Tint	Adjust the tint of image
Volume	Adjust the volume
Color mode	Choose the color temperature. Options: User, 6500°K, 7500 °K, or 9300 °K.
Red	Note: Only available under “User” mode to meet the color value you need.
Green	
Blue	

KEY CONFIGURE:

KEY CONFIGURE	
F1 FUNCTION	PEAKING
F2 FUNCTION	FALSE COLOR
F3 FUNCTION	EXPOSURE
F4 FUNCTION	HISTOGRAM
KNOB1 FUNCTION	BRIGHTNESS
KNOB2 FUNCTION	VOLUME

4 user-definable function buttons: F1, F2, F3 and F4 functions can be customized as: mark, underscan, color mode, ratio, camera, peaking, false color, exposure and histogram.

Knobs 1-2 can be set to alter the brightness, contrast, saturation, sharpness, tint, volume, red, green, and blue for the shortcut keys.

Knob 1 defaults as Brightness function.

Knob 2 defaults as Volume function. .

SOURCE MENU

SOURCE	MENU
VIDEO	ON
YPBPR	ON
HDMI	ON

Disable or Enable the following input sources:

VIDEO, YPbPr, HDMI.

MISC MENU

MISC MENU	
BLUE MODE	OFF
RESET	
LANGUAGE	ENGLISH
PEAKING	MONO

Blue mode: blue mode can be set on/off.

Reset: confirm the recovery into factory mode.

Language: English/Chinese switch.

Peaking: Mono/Color

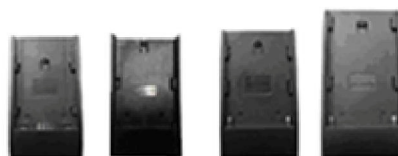
LILLIPUT DIRECT

ACCESSORIES:

Standard accessories



1



2



3



4



5

- | | |
|------------------------------------------|-----------------------------|
| 1. Sun shade cover | 1 piece |
| 2. Battery plate (DC21/QM91D/F970/LP-E6) | 2 piece (choose 2 out of 4) |
| 3. Manual | 1 copy |
| 4. Shoe mount (for camera only) | 1 piece |
| 5. DC adapter | 1 piece |

Optional accessories



1



2

- | | |
|----------------------------|---------|
| 1. HDMI to mini HDMI cable | 1 piece |
| 2. Li-ion battery | 1 piece |

PARAMETERS:

Panel Size	5" TFT LCD
Resolution	800×480, support 1920×1080
Contrast	600:1
Viewing Angle	130°/ 150°(H/V)
Input Voltage	DC 12V
Support model	PAL, NTSC, 480p/i, 720p, 576i/p, 1080i (50/60)、 1080p(50/60) (480i&576i are invalid under YPbPr)
Input Signal	HDMI, YPbPr, AV
Battery	F970\DU21\QM91D
Current	450mA
Size:(LWD)	151mm*116mm*39.5mm 151mm*116mm*98.1mm (with cover)
Weight	316g / 386g (with cover)

TROUBLE SHOOTING

1. Only black-and-white display:

Check whether the color saturation is properly setup.

2. Power on but no pictures:

Check whether the cables of Video, HDMI or YPbPr are correctly connected.

Please use the standard power adapter coming with the product package.

Improper power input may cause the device.

3. Wrong or abnormal colors:

Check whether the cables are correctly and properly connected. Broken or loose pins of the cables may cause a bad connection.

Note: due to constant effort to improve products and product features, specifications may change without notice.

LILLIPUT DIRECT