

Congratulations on purchasing a MDB Family product. This crib will provide many years of service if you adhere to the following guidelines for assembly, maintenance and operation. This crib is for residential use only. Any institutional use is strictly prohibited.

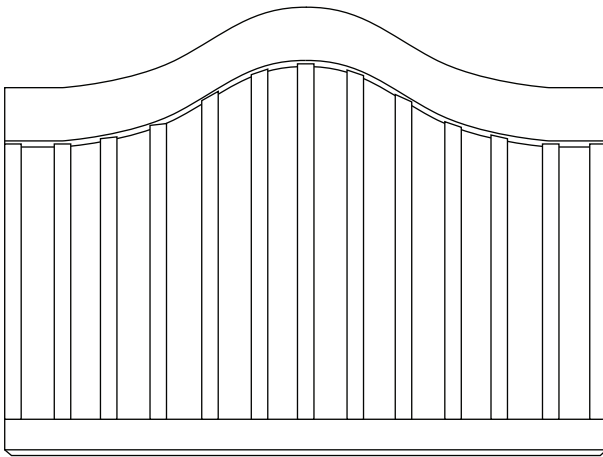
Please be sure to follow the instructions for proper assembly. Use a Phillips head screwdriver for assembling the crib in addition to the Allen wrench included in the hardware box. Do not use power screwdrivers. All of our cribs are made from natural woods. Please understand that natural woods have color variations which are the result of nature and not defects in workmanship.

**DO NOT SUBSTITUTE PARTS. ALL MODELS HAVE THE SAME QUANTITY OF PARTS AND HARDWARE. YOUR MODEL MAY LOOK DIFFERENT FROM THE ONE ILLUSTRATED DUE TO STYLISTIC VARIATIONS.**

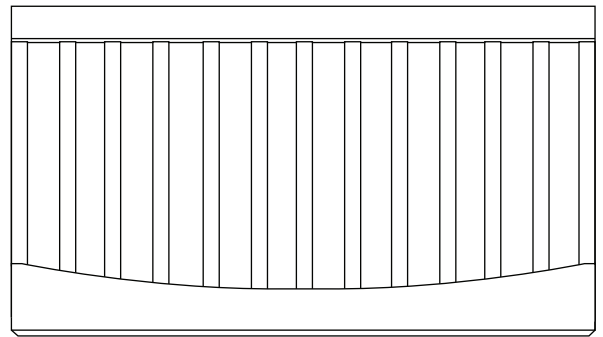


\* The Ashbury 4 in 1 crib can later be converted into a toddler bed or a full-size bed. To convert to a toddler bed, turn to page 10. To convert to a full-size bed, turn to page 11.

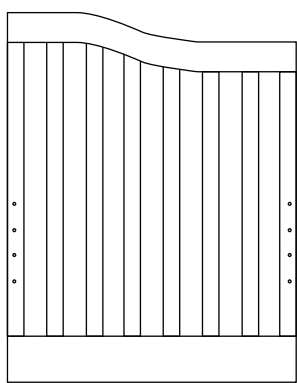
# PARTS



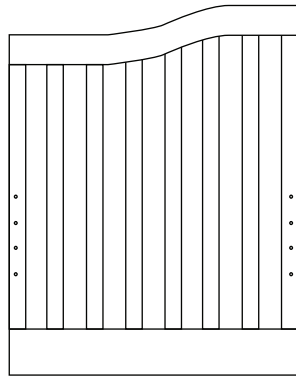
A. Back Panel



B. Front Panel



C. Right Side Panel



D. Left Side Panel



E. Front Left leg



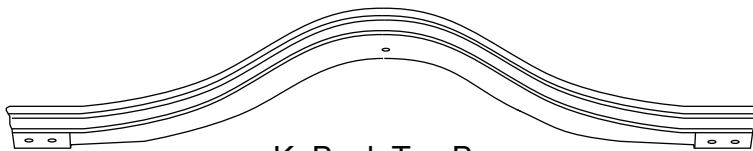
F. Front Right leg



G. Rear Left leg



H. Rear Right leg



K. Back Top Bar



L. Front Top Bar



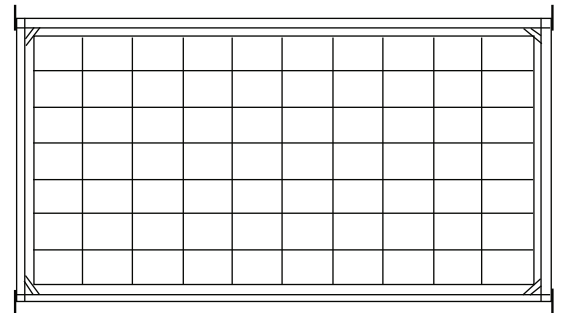
M. Left Side Top Bar



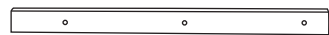
N. Right Side Top Bar



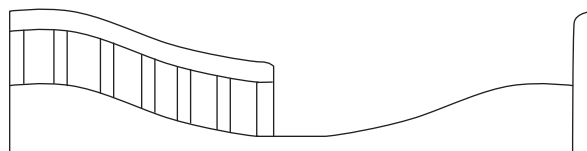
J. Foot (4)



R. Spring Frame

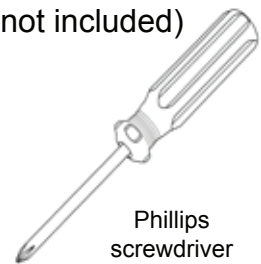


P. Glide Support Rail (2)

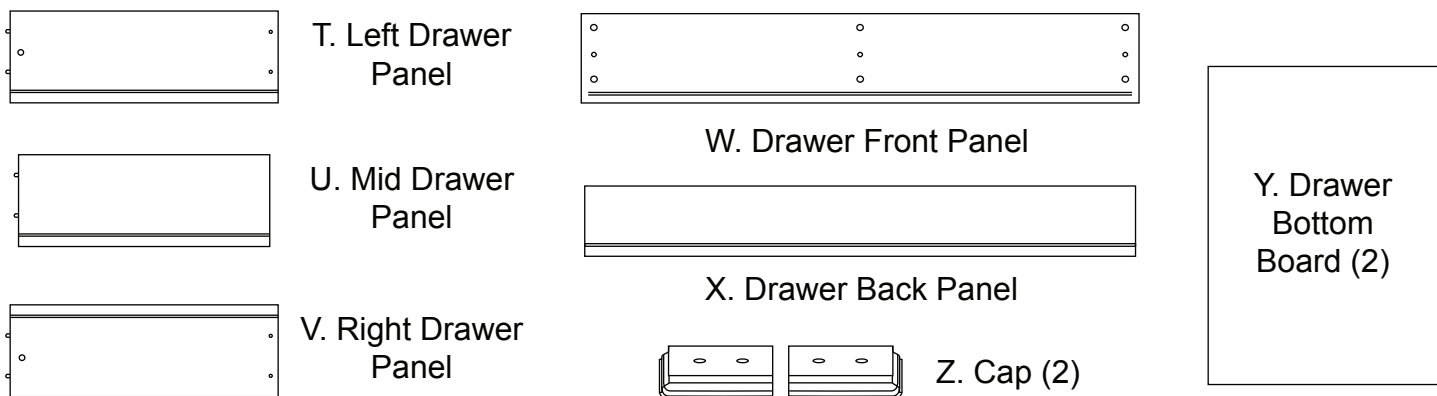


S. Guardrail

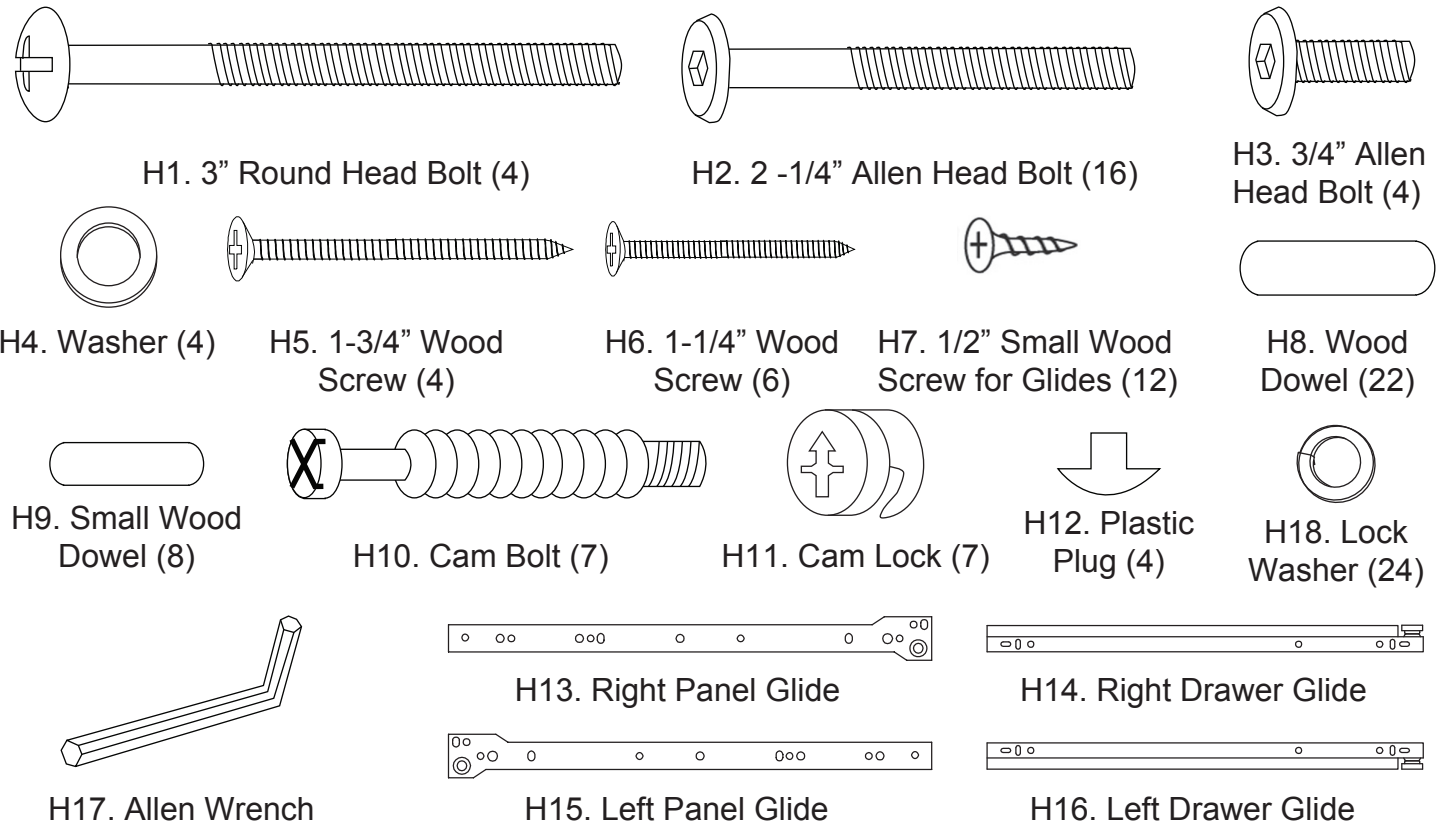
Tools Needed  
(not included)



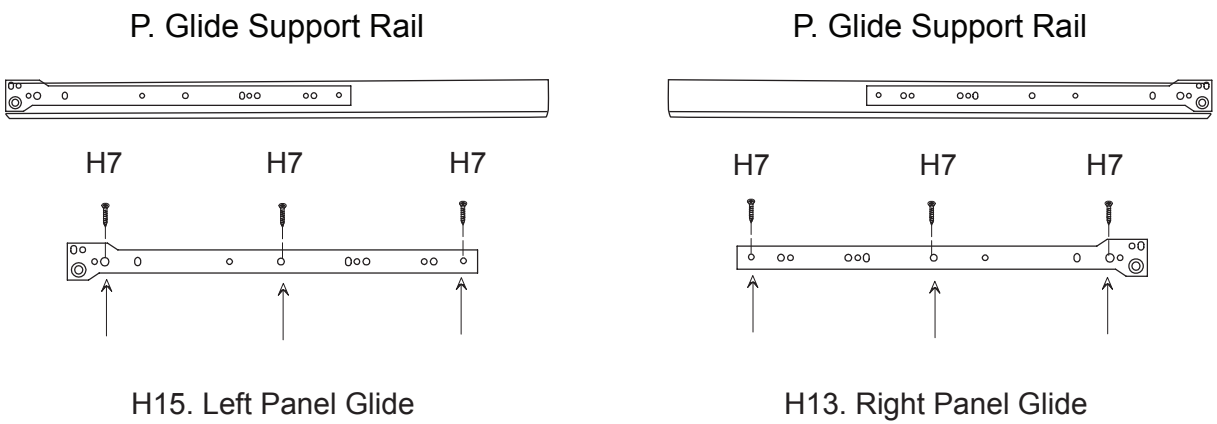
Phillips  
screwdriver



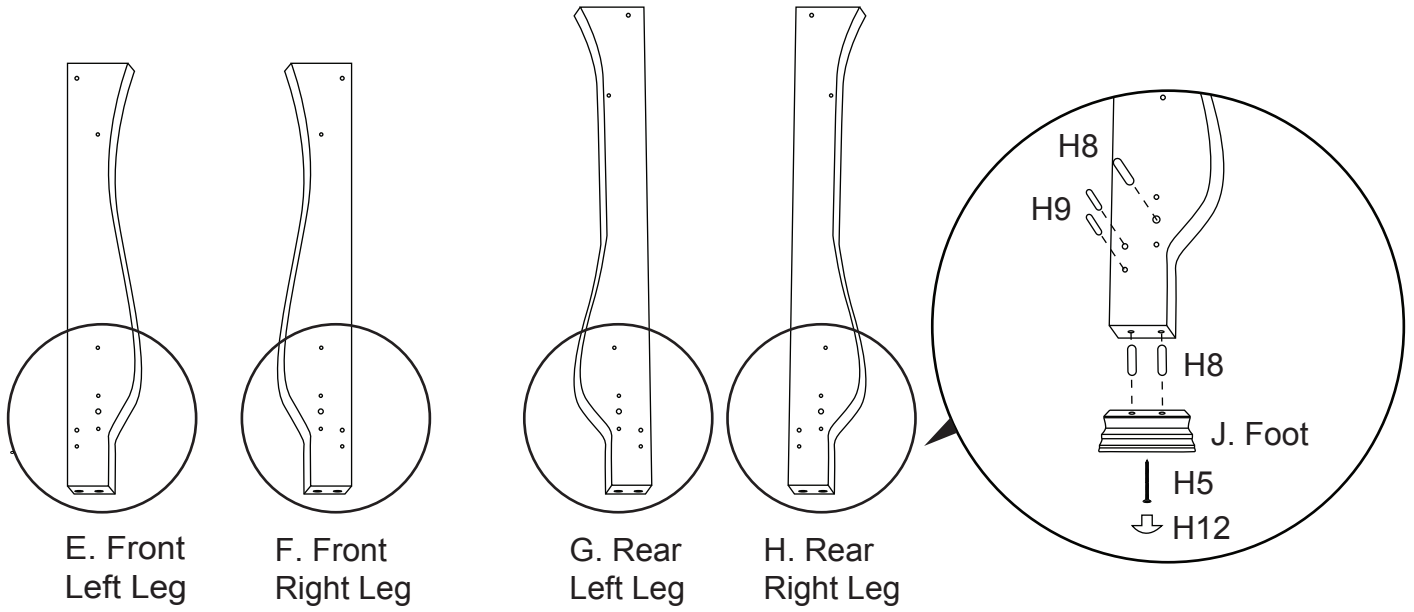
## HARDWARE



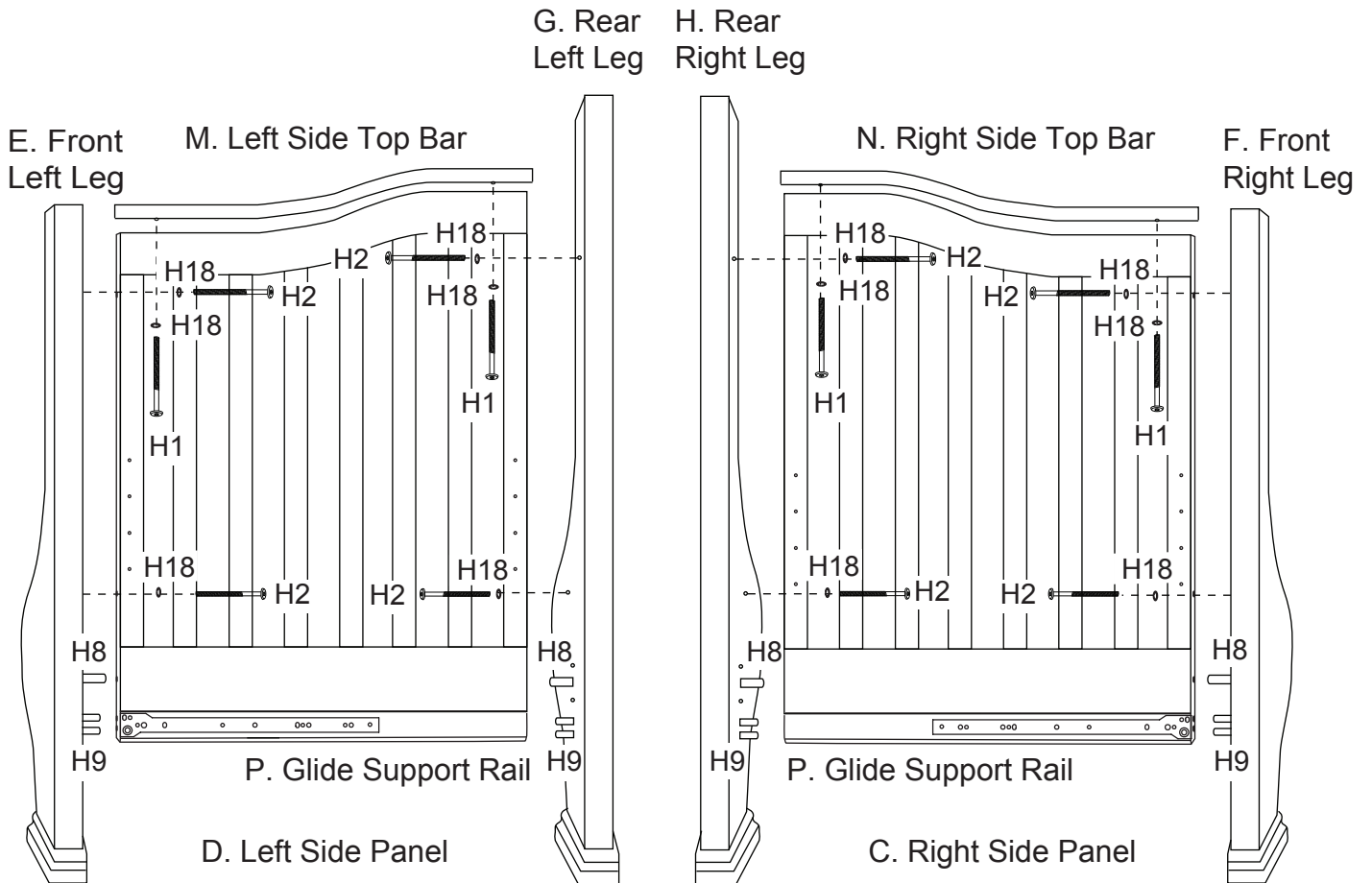
### STEP 1. Attach panel glides (H13, H15) to glide support rails (P).



**STEP 2. Set up posts.**



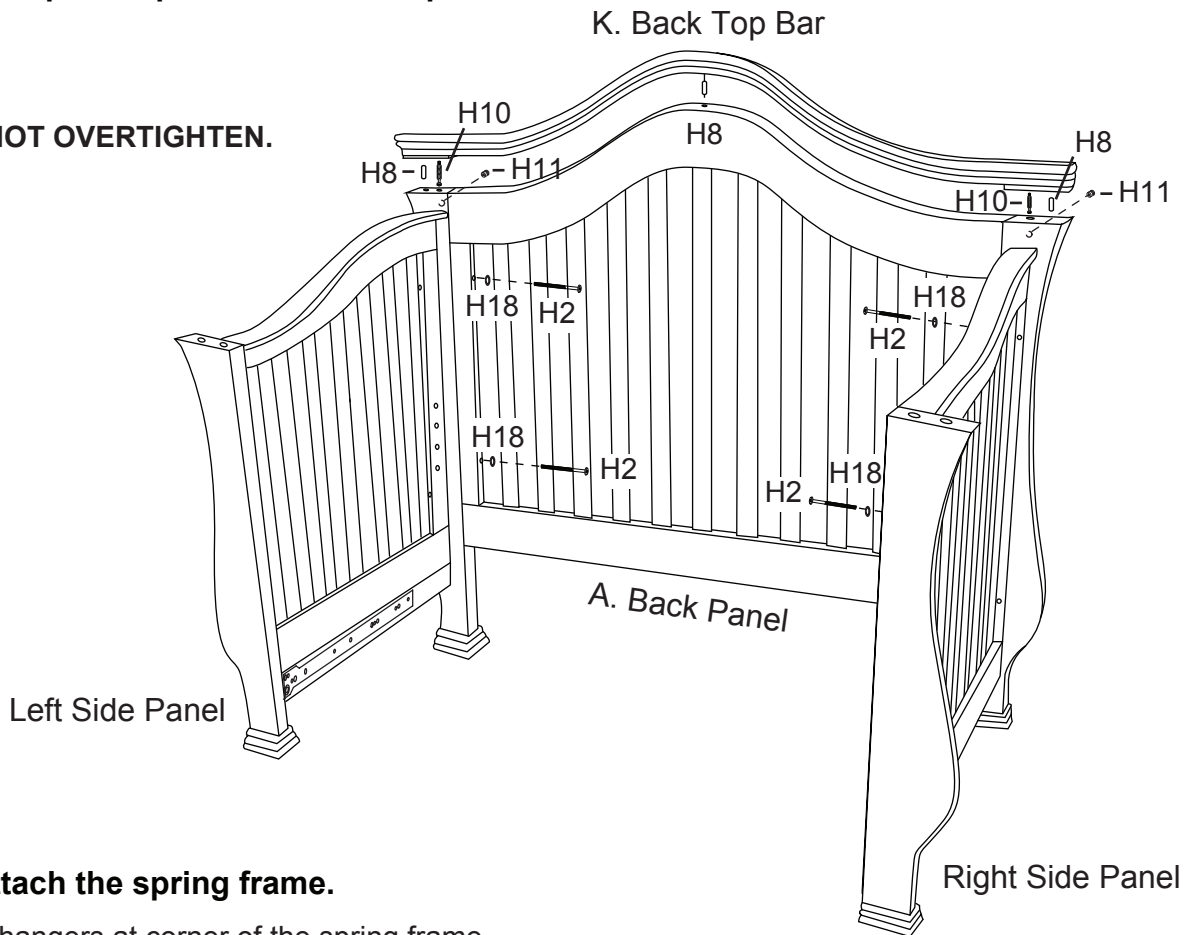
**STEP 3. Attach Side Top Bar, posts and glide support rails to sides panels.**



**DO NOT OVERTIGHTEN.**

**STEP 4. Set up back panel and back top bar.**

**DO NOT OVERTIGHTEN.**

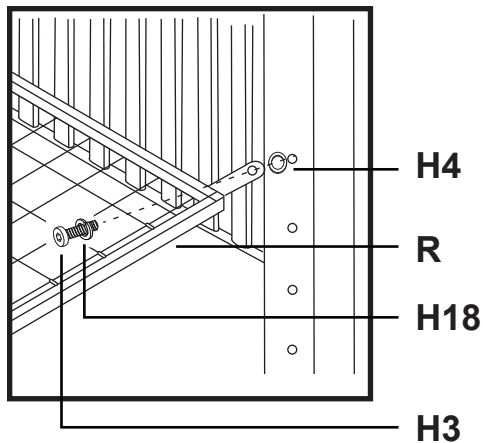


**STEP 5. Attach the spring frame.**

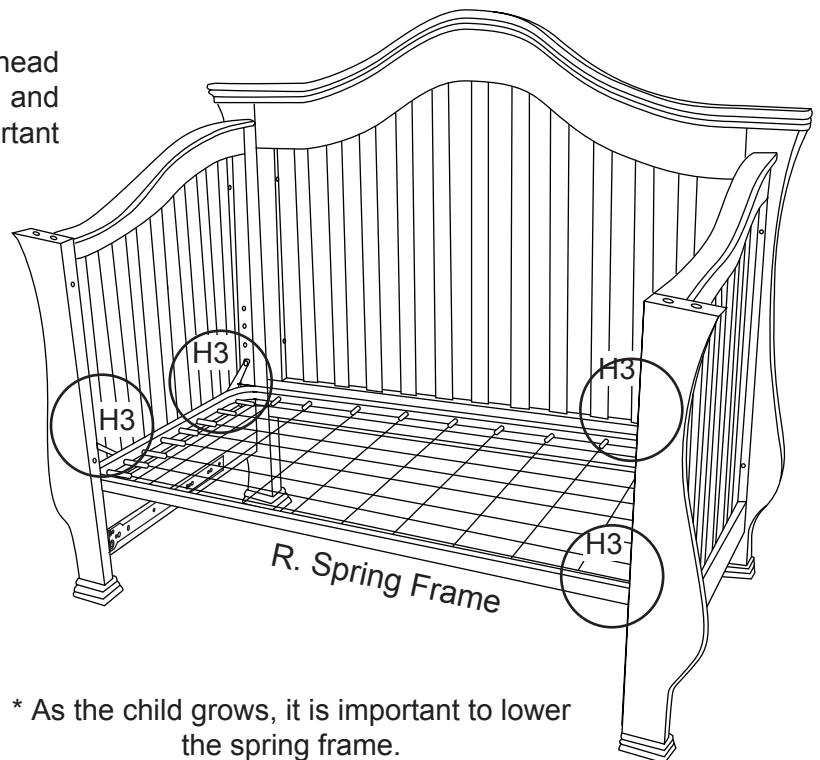
Swing out four hangers at corner of the spring frame (R) carefully. Attach spring frame **FLAT SIDE UP**. Choose the height of the spring frame. Start at the highest level and adjust accordingly.

Bolt the spring frame (R) to legs using Allen head bolts (H3), washers (H4), lock washers (H18) and Allen wrench (H17). As the child grows, it is important to lower the spring.

**Make sure the spring frame is level.**

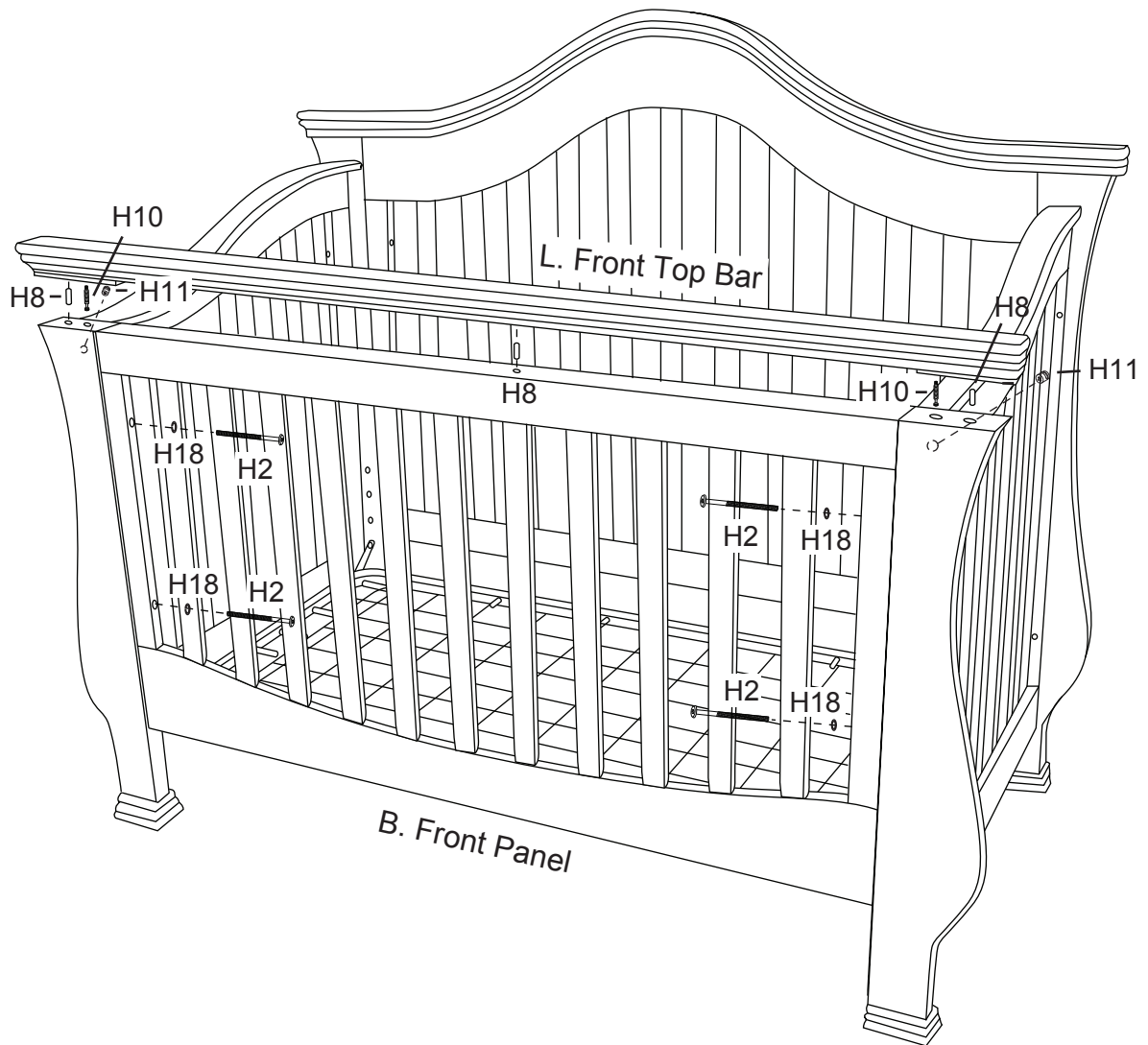


**DO NOT TIGHTEN BEFORE INSTALLING THE FRONT PANEL**

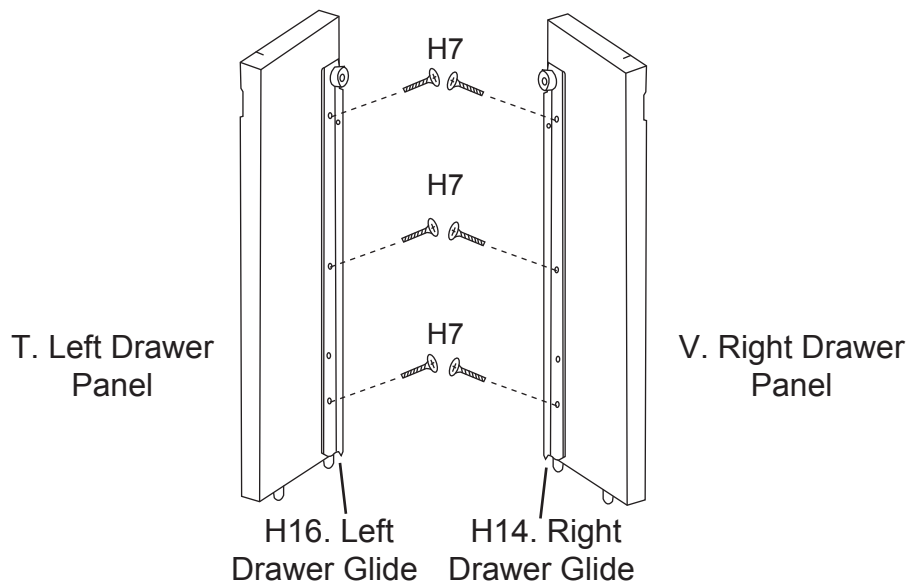


\* As the child grows, it is important to lower the spring frame.

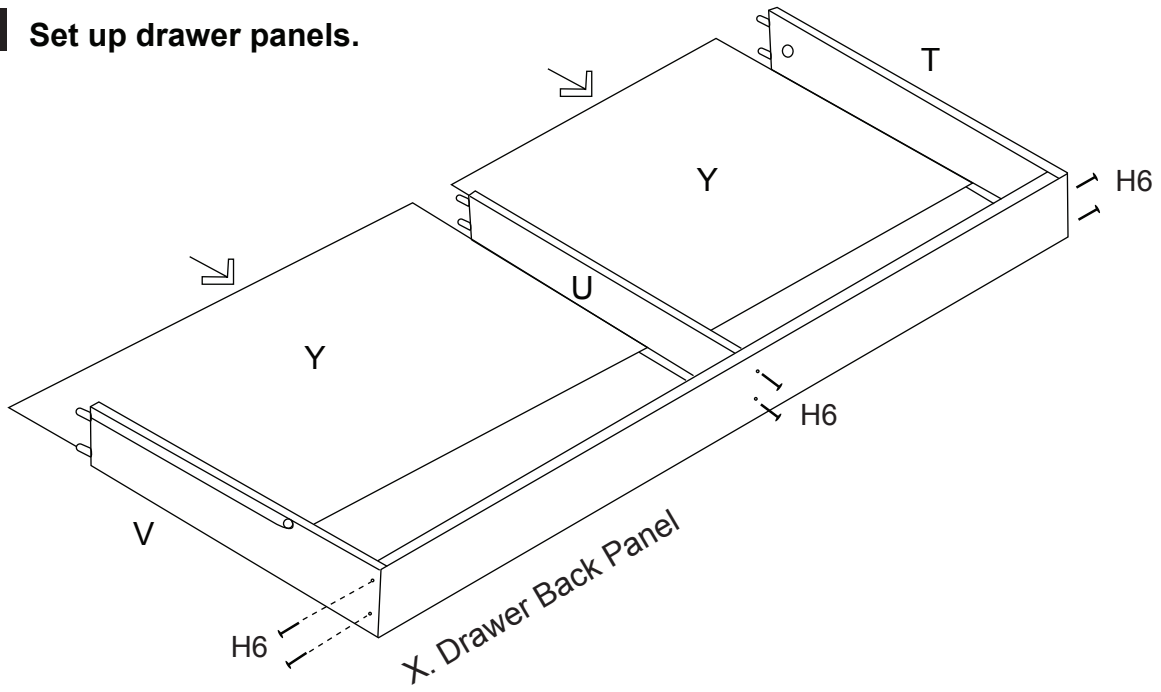
**STEP 6.** Set up front panel and front top bar.



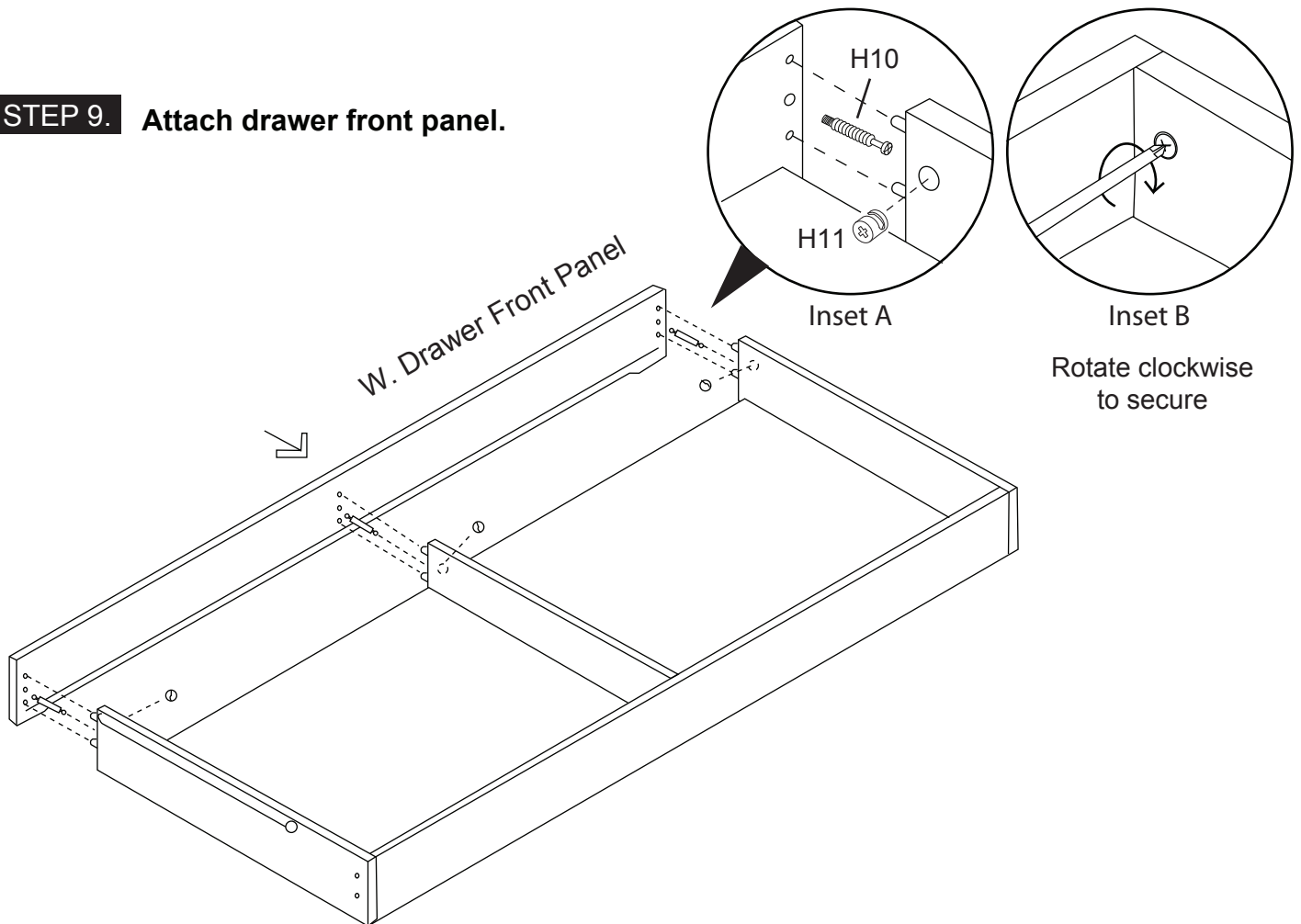
**STEP 7.** Attach drawer glides to drawer panels.



**STEP 8.** Set up drawer panels.

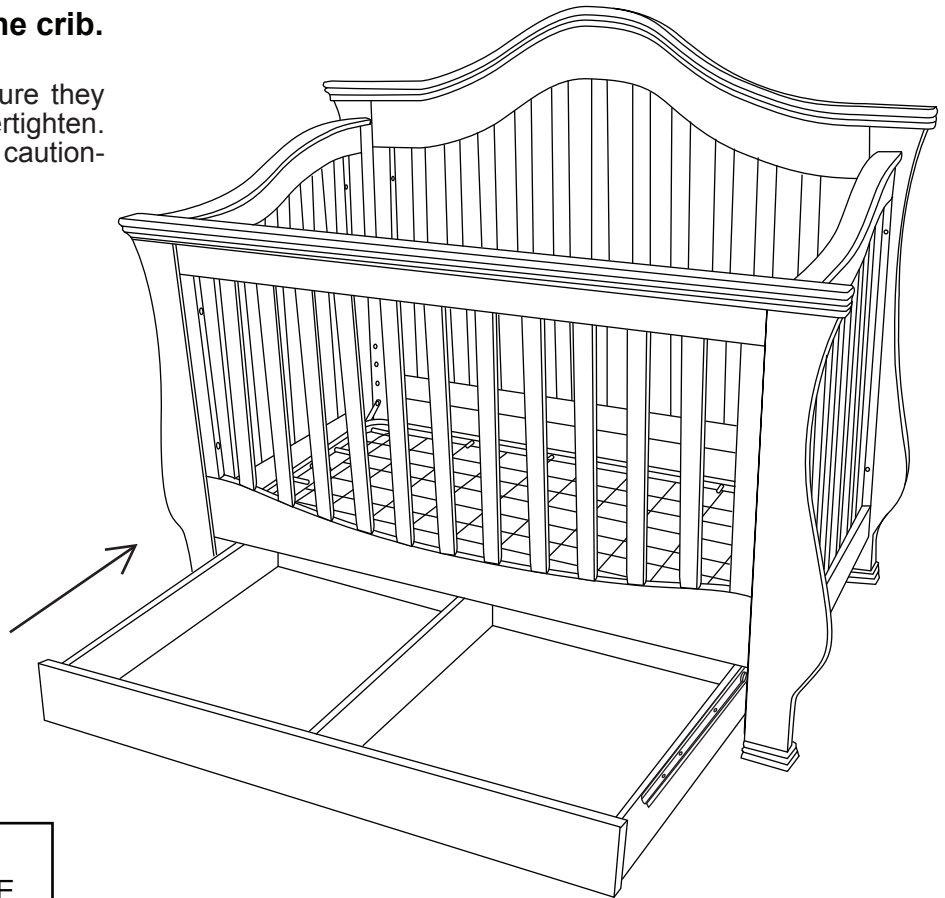


**STEP 9.** Attach drawer front panel.



**STEP 10. Slide drawer under the crib.**

Recheck all screws and bolts to be sure they are fastened securely. Do not overtighten. Before using your crib, please read all cautionary statements on the insert sheet.



KEEP THIS MANUAL IN A SAFE PLACE FOR FUTURE REFERENCE.

**CAUTION: ANY MATTRESS USED IN THIS CRIB SHALL BE AT LEAST 27 1/4 INCHES BY 51 5/8 INCHES (69 CM BY 131 CM) WITH A THICKNESS NOT EXCEEDING 6 INCHES (15 CM).**

Please refer to the label (sample below) on the inside face of the headboard. Record the model/ item number and serial number of your crib, the name of the store where you made the purchase, the date of purchase and the wood finish in the box to the lower right.

**WE WILL ASK YOU FOR YOUR SERIAL NUMBER FOR ALL WARRANTY AND REPLACEMENT PART REQUESTS. PLEASE REFER TO THE LAST PAGE OF THIS INSTRUCTION SHEET FOR WARRANTY INFORMATION. KEEP THIS MANUAL FOR FUTURE REFERENCE.**

**“CAUTION: ANY MATTRESS USED IN THIS CRIB MUST BE AT LEAST 27 1/4 INCHES BY 51 5/8 INCHES WITH A THICKNESS NOT EXCEEDING 6 INCHES.”**

MODEL/ITEM NUMBER	XXXX	<small>THIS PRODUCT CONFORMS TO THE APPLICABLE REGULATIONS OF THE CONSUMER PRODUCTS SAFETY COMMISSION.</small>  <small>855 WASHINGTON BLVD. MONTEBELLO, CA 90640 www.themdbfamily.com</small>
SERIAL NUMBER	XXXXXXXX	
DATE OF MANUFACTURE	XX/XX	

SAMPLE LABEL

Model Number: \_\_\_\_\_

Serial Number: \_\_\_\_\_

Store Where Purchased: \_\_\_\_\_

Date of Purchase: \_\_\_\_\_

Wood Finish: \_\_\_\_\_

**Please read the Caution and Warning Statements insert before using your crib.**





## **WARNING:**

Failure to follow these warnings and the assembly instructions could result in serious injury or death.

**READ ALL INSTRUCTIONS BEFORE ASSEMBLING CRIB. KEEP THE MANUAL FOR FUTURE USE.**



## **WARNING:**

**Parents should ensure a safe environment for the child by checking regularly, before placing the child in the product, that every component is properly and securely in place.**

- Do not use this crib if you cannot exactly follow the accompanying instructions.
- Infants can suffocate on soft bedding. Never add a pillow or comforter. Never place additional padding under an infant.
- To reduce the risk of SIDS, pediatricians recommend healthy infants be placed on their backs to sleep, unless otherwise advised by your physician.
- Strings can cause strangulation! Do not place items with a string around a child's neck, such as hood strings or pacifier cords. Do not place cords, straps, or similar items that could become wound around the child's neck in or near this crib. Do not suspend strings over a crib or attach strings to toys.
- To help prevent strangulation tighten all fasteners. A child can trap parts of the body or clothing on loose fasteners.
- DO NOT place a crib near a window where cords from blinds or drapes may strangle a child. Do not place this crib near a window or a patio door where a child could reach the cord of a blind or curtain and be strangled.
- When a child is able to pull to a standing position, set the mattress to the lowest position and remove bumper pads, large toys and other objects that could serve as steps for climbing out.
- Do not use this crib if the child is able to climb out unaided or is taller than 35 in. (89cm).
- Check this product for damaged hardware, loose joints, loose bolts or other fasteners, missing parts or sharp edges before and after assembly and frequently during use. Securely tighten loose bolts and other fasteners. DO NOT use crib if any parts are missing, damaged or broken. DO NOT substitute parts. Contact **MDB FAMILY** for replacement parts and instructional literature if needed.
- DO NOT use a water mattress with this crib.
- For cribs equipped with teething rails, replace teething rail if damaged, cracked or loose.
- If refinishing, use a non-toxic finish specified for children's products.
- Never use plastic shipping bags or other plastic films as mattress covers because they can cause suffocation.
- Infants can suffocate in gaps between crib sides when used with a mattress that is too small.
- Follow warnings on all products in a crib.
- Ensure that the sides are properly latched or locked in place when the crib is occupied.
- The mattress used with this crib should not be more than 15cm thick and should be of such length with width that the gap between the mattress and the sides of the crib is no more than 3cm when the mattress is pushed into the corner of the crib.



## **WARNING:**

Please do NOT remove any wood screws in the normal disassembly of the crib.

### **ONE YEAR LIMITED WARRANTY:**

We will replace any missing parts at the time of purchase or any defective item within a one year period from the date of original purchase. Please keep your receipt so that we may process your warranty request. This warranty only covers new units with original packaging and ownership, and is not transferable. It does not cover any used, secondhand or demo models.

This warranty does not cover any damaged or defective parts that result from installation and assembly, normal wear and tear, abuse, negligence, improper use or alteration to the finish, design, and hardware of the crib. The specific legal rights of this warranty may vary from state to state. Some states do not allow any exclusion or limitation of incidental damages. Some states do not allow limitation on how long an implied warranty lasts.

### **Storage:**

- Pine woods exchange moisture with the air adjusting to major changes in room temperature and humidity. Therefore, it is best to place your furniture away from heating or air-conditioning vents.
- Sunlight is not friendly to solid wood furniture and prolonged direct exposure to harsh sunlight can discolor the finish. Be careful not to place your furniture in direct sunlight for extended periods of time. As with all your fine furniture, blot up spills immediately.

### **Care and Cleaning:**

- Do not scratch or chip the finish. Do not use abrasive chemicals for cleaning. Clean with mild soap on a soft rag. Rinse and dry thoroughly. If you ever refinish this furniture, be sure to use only a non-toxic finish specified for children's products. If you choose to refinish this furniture, the warranty will be voided.

Registering your product is even easier than before. You can register your product on our website at: [www.themdbfamily.com](http://www.themdbfamily.com)

IF YOU WOULD LIKE TO ORDER REPLACEMENT OR MISSING PARTS PLEASE VISIT US AT:

**WWW.THEMDBFAMILY.COM**

OR YOU CAN CONTACT US BY MAIL:

**MDB FAMILY  
855 WASHINGTON BLVD.  
MONTEBELLO, CA 90640**

\* All of the parts and hardware you will need are supplied with the crib at the time of purchase.

**STEP 1.**

Unscrew the Allen head bolts and lock washers and remove the front panel assembly.

**STEP 3.**

Insert wood dowels (H8) to the ends of guardrail (S).

Attach the guardrail (S) to front posts using two Allen head bolts (H2) and lock washers (H18). The guardrail (S) can be installed with the high end facing either to the left or the right.

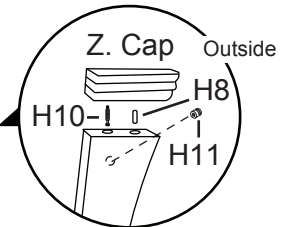
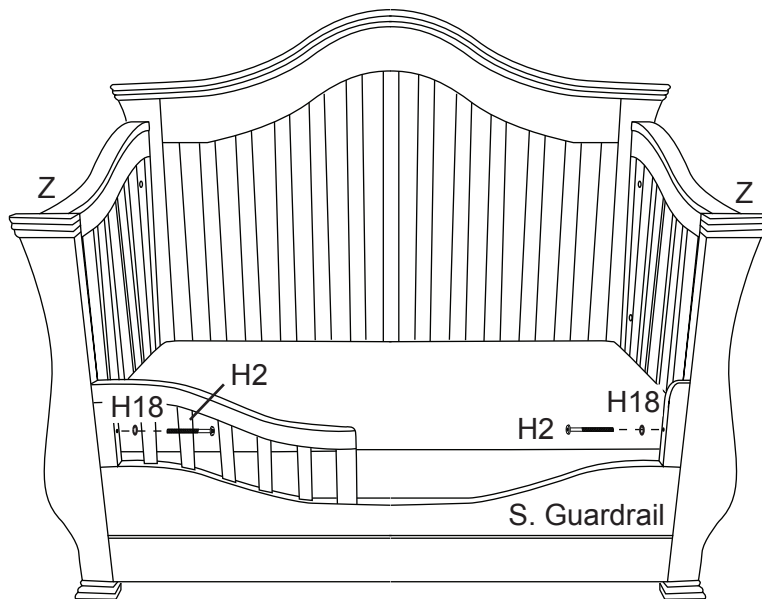
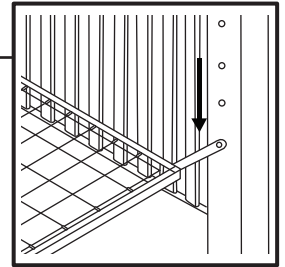
**STEP 4.**

Attach two caps (Z) to the top of front posts using wood dowels (H8), cam bolts (H10) and cam locks (H11) removed at **step 1**. The caps (Z) must be installed in the illustrated direction.

DO NOT OVERTIGHTEN.

**STEP 2.**

Move the spring frame to the lowest level.



\*Check to make sure that all of the bolts are fastened securely.

**The mattress intended for use on the bed shall be a full-size mattress having minimum dimensions of 51 5/8 " (1310 mm) in length, 27 1/4" (690 mm) in width and 4" (100 mm) in thickness and not exceeding 6" (152 mm).**

**The intended user's minimum age must be at least 15 months old and maximum weight must not exceed 50 lbs (22.7 kg).**

** WARNING :**

**Failure to follow these warnings and the assembly instructions could result in serious injury or death from entrapment or strangulation.**

DO NOT place bed near windows where cords from blinds or drapes may strangle a child. DO NOT place items with a string, cord, or ribbon, around a child's neck, such as hood strings or pacifier cords. DO NOT suspend strings over a toddler bed for any reason. If guard rails are used as the mattress containment means, guard rails provided must be used to avoid the formation of a gap between the mattress and the bed that could cause an entrapment.

\* For all 4 in 1 cribs, please contact a retailer to order your full size adult wooden bed rails for your full size bed convers

Congratulations on purchasing a MDB Family product. This product will provide many years of service if you adhere to the following guidelines for assembly, maintenance and operation. This product is for residential use only. Any institutional use is strictly prohibited.

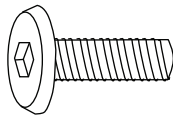
Please be sure to follow the instructions for proper assembly. Use a Phillips head screwdriver for assembling the product in addition to the Allen wrench included in the hardware box. Do not use power screwdrivers. All of our products are made from natural woods. Please understand that natural woods have color variations which are the result of nature and not defects in workmanship.

DO NOT SUBSTITUTE PARTS. ALL MODELS HAVE THE SAME QUANTITY OF PARTS AND HARDWARE. YOUR MODEL MAY LOOK DIFFERENT FROM THE ONE ILLUSTRATED DUE TO STYLISTIC VARIATIONS.

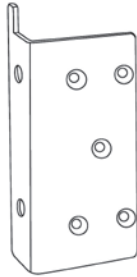
**HARDWARE**



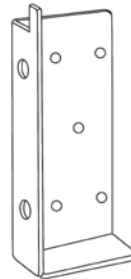
C. 3/4" Flat head screw (10)



D. 3/4" Allen head bolt (4)



E. Left bracket



F. Right bracket

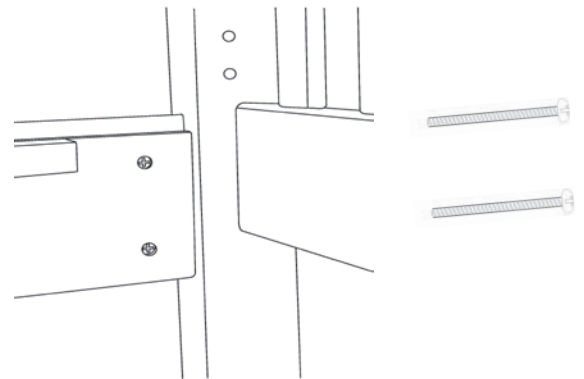
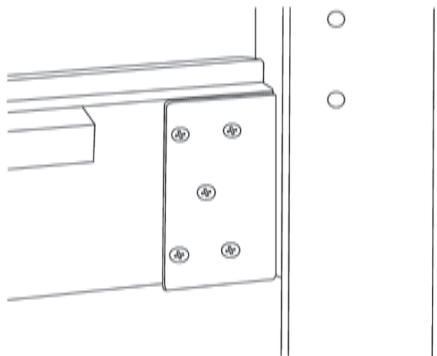
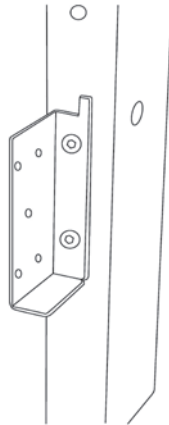


**STEP 1.**

Remove the crib sides, spring frame and post brackets.

**STEP 2.**

Use the Allen head bolts (D) to attach the Left (E) and Right (F) brackets to the foot board posts. Right post and bracket are shown.



**STEP 3.**

Attach the rails to the brackets with the screws (C) and tighten securely with a Phillips head Screwdriver.

**STEP 4.**

Attach the rails to the headboard with the barrel nuts and bolts you removed in step 1.