

---

# Wireless Home Alarm

## User Manual V2.0



Copy right© reserved

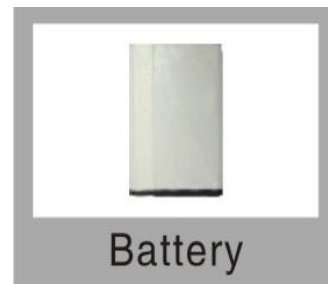
---

1 Accessories .....	4
2 Introduction .....	5
2.1 Appearance .....	5
2.2 Specifications .....	5
2.3 Usage .....	6
2.4 LED Indicators Status .....	6
3 Getting Start .....	7
3.1 Preparation.....	7
3.2 Installing the SIM Card, Battery, and Storage Card .....	7
3.3 Installation of device .....	10
3.4 Battery Charging.....	10
3.5 Setting Before Use .....	10
4 Functions.....	10
4.1 Arm/Disarm.....	10
4.11 Manual Control .....	10
4.12 SMS Control.....	11
4.13 Dialing Control.....	11
4.2 Timing Arm/Disarm.....	11
4.3 InfraredAlarm .....	12
4.4 MMS Notification .....	12
4.5 SMS Notification.....	13
4.6 Dialing Notification.....	13
4.7 Power Disconnect Alert.....	13
4.8 Low Battery Alert .....	13
4.9 System Shut Down Alert.....	13
4.10 SD Card Failure Alert .....	14
4.11 Voice Monitor.....	14
4.12 Photograph.....	14
5. Settings.....	15
5.1 Add SOS Number .....	15
5.2 Delete SOS Number.....	15
5.3 Set APN.....	15
5.4 Set MMS.....	15
5.5 Arm/Disarm.....	15
5.6 Set Timing Arm.....	16
5.7 Set Time Period of Timing Arm .....	16
5.8 Set Time Zone .....	16
5.9 Set MMS Notification .....	16
5.10 Set Resolution .....	16
5.11 Set Number of Photograph .....	16
5.12 Set Alarm Capture .....	17
5.13 Set Time Interval of IR Alarm .....	17
5.14 Set Dialing Notificaton.....	17
5.15 LED Indicator Setting .....	17

---

5.16 Power Connect Notification Setting .....	17
5.17 Power Disconnect Notification Setting .....	17
5.18 Server Setting .....	18
5.19 Server with DNS service Setting .....	18
5.20 Real-time Photograph Setting .....	18
5.21 Check GPRSParameters .....	18
5.22 Check SET Parameters .....	19
5.23 Check Base Parameter.....	19
5.24 Check Firmware Version.....	19
5.25 Check Device Time .....	20
5.26 Reboot.....	20
5.27 Restore to Factory .....	20
6.0 Appendix .....	20
➤ 6.1 Battery safety .....	20
➤ 6.2 Troubleshooting .....	21

## 1 Accessories



Please make sure that all accessories are complete. Pictures are for indication and illustration purposes only.

## 2 Introduction

### 2.1 Appearance



### 2.2 Specifications

GSM Frequency	GSM 850/900/1800/1900MHz
GPRS	Class 12
Image Resolution	640 X 480
Image Sensor	COMS 0.3 Mega Pixels
External storage	SD card, 2G (Maximum 4G)
Battery Capacity	800mAh
Working Voltage/Current	5V / 1A
Dimension	82.5mm(L)×44.3mm(W)×28.7mm(H)
Weight	61g

## 2.3 Usage



## 2.4 LED Indicators Status

Red LED (Power/Working status)

Status	Implication
Quick flashing(interval 0.1s)	Low battery
Slow flashing(interval 1s)	Normal operating
Solid red	Battery charging
OFF	Battery power loss/Internal problem

Yellow LED (Arm/disarm status)

Status	Implication
Slow flashing(bright 0.1s,dark2s)	Delay arming
Slow flashing(bright 1s,dark1s)	Taking photo or recording video
Solid orange	Arming
OFF	Disarming
Quick flashing	Arm (10 seconds countdown)

Green LED (GSM signal)

Status	Implication
Quick flashing(interval 0.1s)	Searching (GSM Initialization)
Slow flashing(bright 0.1s dark 2s)	Normal operating
Solid green	GSM conversation/GPRS activation
OFF	No SIM card installed/No GSM signal

Notice: LED indicators have two modes:

- 1) Hidden Mode: All indicators would turn off automatically after working 5 minutes till user toggling Arm/Disarm switch button.
- 2) Continuously Bright Mode: indicators would never turn off if the device is working.

---

## 3 Getting Start

### 3.1 Preparation

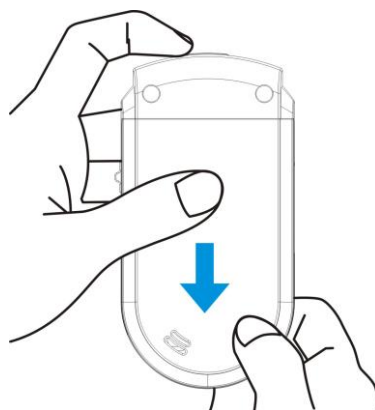
- Please make sure all accessories are complete when open the package.
- Please make sure the SIM card installed in device and:
  - a. Works with GPRS network
  - b. Works with MMS function
  - c. Works with SMS function
  - d. Works with Dialing function
  - e. Works with Caller ID function

### 3.2 Installing the SIM Card, Battery, and Storage Card

You need to remove the back cover before you can install the SIM card, battery, and storage card. Also, make sure to always turn off the power before installing or replacing the SIM card and battery.

To remove the back cover:

- Make sure your device is turned off.
- Firmly hold the device with both hands and the front panel facing down.
- Push the back cover up with your thumbs until it disengages from the device and then slide it up to remove.

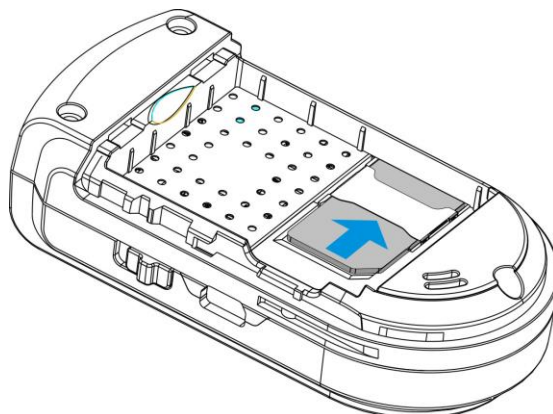


#### SIM Card

To install the SIM card:

- Remove the battery if it is installed.
- Locate the SIM card slot, then insert the SIM card with its gold contacts facing down and its cut-off corner facing out the card slot.

- Slide the SIM card completely into the slot.



To remove the SIM card:

- Remove the battery if it is installed.
- Press and hold the lock in the SIM card slot opening with your thumb.
- Slide the SIM card out from the slot with your other thumb or finger.

Note: Make sure there is enough credit on the SIM card. If you will be using the GPRS function, you should pay attention to the current SIM card GPRS charge.

## Battery

Your device comes with a rechargeable battery and is designed to use only manufacturer-specified original batteries and accessories. Battery performance depends on many factors, including network configuration, signal strength, and usage patterns. For more information, see “Battery Safety” in the Appendix.

### Warning!

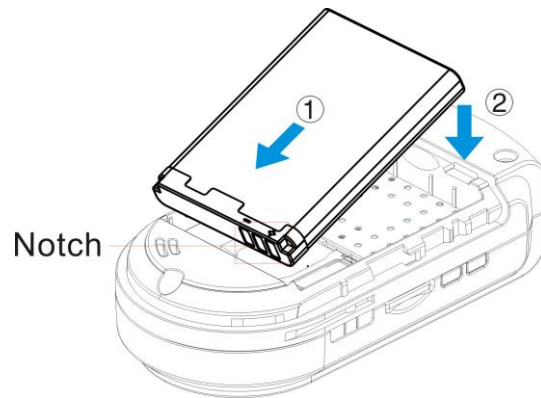
To reduce risk of fire or burns:

- ✓ Do not attempt to open, disassemble, or service the battery pack.
- ✓ Do not crush, puncture, short external contacts, or dispose of in fire or water.
- ✓ Do not expose to temperatures above 40°C.
- ✓ Replace only with the battery pack designated for this product.
- ✓ Recycle or dispose of used battery as stipulated by local regulations.

To install the battery:

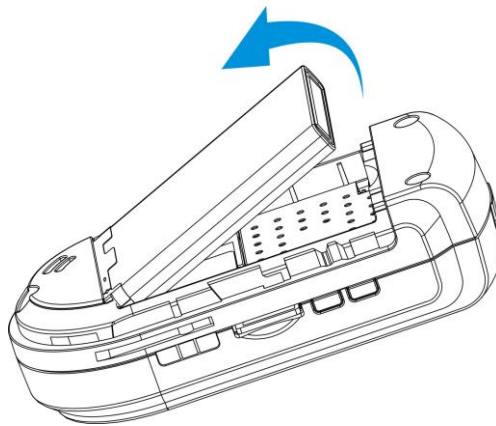
- Align the battery's exposed copper contacts with the battery connectors at the bottom part of the battery compartment.
- Insert the contacts side of the battery first and then gently push the battery into place.
- Replace the back cover.





To remove the battery:

- Make sure your device is turned off.
- Remove the back cover.
- The upper right side of the battery has a notch. Lift the battery by the notch to remove it.

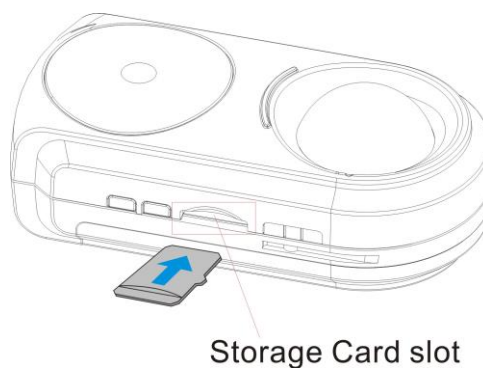


## Storage Card

To install a SD card:

- Make sure that your device is turned off, and then remove the back cover.
- Locate the SD card slot on the upper part of the exposed right panel.
- Insert the SD card into the slot with its gold contacts facing down until it clicks into place.

To remove the SD card, press it to eject it from the slot.



---

## 3.3 Installation of device

- Fix the base with the bracket and keep the base rabbit upward.
- Put the device on the base with the camera lenses facing forward and straightly to ensure that the photos and videos are taken in right direction. Then fix the bracket on the wall or other solid object.
- Connect power for use.

## 3.4 Battery Charging

- Make sure the charger is connected with power.
- When device is charging, the red LED continually in bright state indicates battery is charging. Slow flashing indicate power of battery is full. Quick flashing indicates low power and charging need.
- Battery charging should be operated under 0°C~40°C with charger provided by the manufacturer. Any unauthorized charger may result in danger and breach of approval and warranty terms of this device.

Notice: Device would auto reboot after power recovery if the device is off by battery run out of power.

## 3.5 Setting Before Use

- Please add the SOS right before other settings.  
If you get the SMS reply “NO Author”, that means the cellphone number you are using is not the SOS number of device. In this case, please connect the device with your PC, and format the removable disk with about 600k space, device will restored to factory setting. Reboot the device and add the SOS number again. Or use the SOS number to add your phone number as SOS number.
- Please set the APN and MMS info right to use the GPRS network and MMS function, or the device would auto reboot in 20 minutes because of failed to connect with the service platform.
- All operation details please refer to chapter 5.

# 4 Functions

## 4.1 Arm/Disarm

### 4.11 Manual Control

- Toggle the Arm/Disarm switch button;

- If the device is in disarm status, toggle the ARM switch once to enter delay arming status with the yellow LED indicator flashing. After 1minutes it enters arming status with the yellow LED indicator continually lighting.
- If the device is in arm status, toggle the ARM switch once to enter disarming status with the yellow LED indicator off.

## 4.12 SMS Control

- Arm by sending SMS command: “ON#”  
SMS is replied to SOS number as: “Alarm fortification success!” in one minute
- Disarm by sending SMS command: “OFF#”  
SMS is replied to SOS number as: “Alarm disarm success” in one minute

## 4.13 Dialing Control

- When the device is in disarming status, dial the device number from SOS phone and hang up in 10 seconds, device would enter arming status automatically; If not, the device would enter voice monitoring status.
- When the device is in arming status, dial the device number from SOS phone and hang up in 10 seconds, the device would enter disarming status automatically; If not, the device would enter voice monitoring status.

## 4.2 Timing Arm/Disarm

- If you don't need to monitor for 24 hours, please send the command to turn the timing arm function as below:
  1. Set the arm time period:  
**TIME, PERIOD1, PERIOD2, PERIOD3#**  
 Format of Time period: **HH:MM-HH:MM**;  
 Example:
    - Set the first time period  
**TIME, 00:00-08:00#**
    - Set the first and second time period  
**TIME, 00:00-08:00, 12:00-13:00#**
  2. Turn on the timing function via SMS command “**TIMEON#**”
- Send SMS command “**TIMEOFF#**” to turn the timing arm function off.
- Note:
  1. The device would synchronize time once each day with the server via GPRS, thus manually setting time is not needed.
  2. When entering arming time period, the device would automatically enter arming status

---

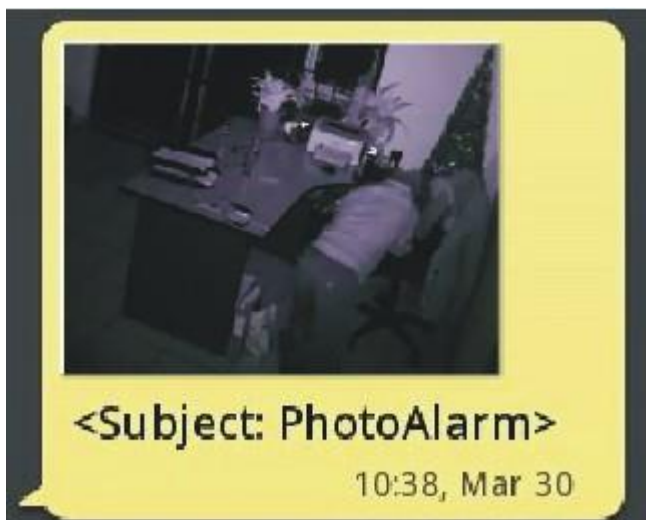
from disarming status before.

### 4.3 Infrared Alarm

- When device in “Armed” status, if motion detected, device would start to pictures and record video, the alarm process as below:
  - a. Take pictures and video, storage in the SD card, user can review all details by connect with PC.
  - b. If GPRS network works, all pictures would be uploaded to the service platform: [www.cootrack.com](http://www.cootrack.com)
  - c. If MMS function is ON, the first picture would be sent to the SOS phone number via MMS; if not, alarm info would be sent via SMS.
  - d. If the storage space of SD card less than 10M, device would auto delete the files of first alarm, including the pictures and video.
- The number of picture capture and video record time can be customized via SMS command:  
[ALARMSET, number of pictures, record time#](#)  
\*Number of pictures: 0 ~ 5 (0 means no pictures when alarm is triggered)  
Video record time: 0 ~ 300s (0 means not video recorded when alarm is triggered)  
Factory setting is: “[ALARMSET,3,60#](#)”
- The default time interval of two alarm events is 300 seconds, which mean the after first alarm, the second alarm would not be triggered in 5 minutes. Time interval can be change via SMS command:  
[INTERVAL, time#](#) (time arrange: 60 ~ 3600 s)

### 4.4 MMS Notification

- To use MMS notification, please set the MMS parameters via SMS command:  
[MMS, urlOfmmmc,IP,Port ,APN,user, pwd,ConnectType#OR](#)  
[MMS, urlOfmmsc l,IP,Port,APN#](#)
- MMS notification can be ON or OFF by SMS command: [MMSON#](#) or [MMSOFF#](#). Factory status is OFF.
- If MMS function is ON, the first picture would be sent to SOS number via MMS as below format when the alarm is triggered:



#### 4.5 SMS Notification

- If MMS notification is OFF, device would send SMS notification to SOS number with message " Alarm" when the alarm is triggered.

#### 4.6 Dialing Notification

- When alarm is triggered, device can auto dialing to the SOS numbers, user can monitor the live voice after pick up the call. Factory status is OFF.

#### 4.7 Power Disconnect Alert

- Alarm message "Main power is interrupted, please pay attention!" would be sent to SOS numbers via SMS if the power is disconnect/fail.
- If device is ON, when power is connect again, alarm message "Main power connection has been restored! " would be sent to SOS numbers via SMS. Factory status is OFF.

#### 4.8 Low Battery Alert

- Alarm message "Alarm battery voltage is low, please charge in time!" would be sent to SOS numbers if the inside battery voltage is under 3.7V.

#### 4.9 System Shut Down Alert

- Alarm message "System shutdown!" would be sent to SOS number via SMS when the system

---

is going to shut down because of the voltage of battery is lower than 3.5V

## 4.10 SD Card Failure Alert

- Alarm message “Alarm memory card detection failed, please make sure that the memory card is inserted, or the card space is available!” would be sent to SOS numbers if device cannot detect the SD card.

## 4.11 Voice Monitor

- SOS number can monitor the live voice of device; it would pick up the call after 10s and into the voice monitor status.
- If there is alarm trigger when monitoring the voice, device would hang up the call and handle the alarm information first.

## 4.12 Photograph

- SOS number can take the real time picture via SMS command “[PHOTO#](#)” or “333”, pictures would be sent to SOS number via MMS.

## 4.13 Service Platform

[www.cootrack.com](http://www.cootrack.com) is design for device online management; provides multiple functions such like pictures review, Arm/Disarm, SOS number setting, timing alarm setting, etc.

Please log in with:

Account: IMEI number of the device

Password: 666666 (Default)

\* Make sure the APN setting is right to use the GPRS network.

## 5. Settings

### 5.1 Add SOS Number

Command	Reply SMS	Description
<b>SOS,A,P1,P2,P3#</b>	SOS1:688361	
(eg) <b>sos,a,688361,688362,688363#</b>	SOS2:688362 SOS3:688363	

### 5.2 Delete SOS Number

Command	Reply SMS	Description
(a) <b>SOS,D,1[,2[,3]]#</b> (b) <b>SOS,D,P1,P2,P3#</b>	SOS1:	<b>Sos,d,1#</b> means delete the first SOS number;
(ega) <b>sos,d,1,2#</b> (egb) <b>sos,d,688361,688362 #</b>	SOS2: SOS3:	<b>Sos,d,688361,688362#</b> means delete SOS number 688361, 688362

### 5.3 Set APN

Command	Reply SMS	Description
(a) <b>APN,apnname#</b> (b) <b>APN,apnname,user,pwd#</b>	Set Success	
(ega) <b>apn,kktcell#</b> (egb) <b>apn,orange,orange,orange#</b>		

### 5.4 Set MMS

Command	Reply SMS	Description
(a) <b>MMS,centerAddress,IP,Port ,APN,user,pwd,ConnectType#</b> (b) <b>MMS,centerAddress,IP,Port,APN#</b>	Set Success	Connect Type: 0: HTTP 1: WAP Device reboot after 30seconds
(ega) <b>mms,http://mms.orange.fr,192.168.010.200,8080,orange,orange,1#</b> (egb) <b>mms,http://mms.kktcell.com/cmms c/post,212.252.169.99,8080,mms.kktcell#</b>		

### 5.5 Arm/Disarm

SMS Content	Reply SMS	Description
<b>ON#</b>	Alarm fortification success!	
<b>OFF#</b>	Alarm disarm success!	

## 5.6 Set Timing Arm

SMS Content	Reply SMS	Description
<b>TIMEON#</b>	Timing fortification status: ON	ON timing alarm
<b>TIMEOFF#</b>	Timing fortification status: OFF	OFF timing alarm

## 5.7 Set Time Period of Timing Arm

SMS Content	Reply SMS	Description
<b>TIME,S1,S2,S3#</b>	<b>Status: Off</b> <b>Timing fortification status: Off</b> <b>Fortification time: S1,S2,S3</b>	Format of Time period: HH:MM-HH:MM; TIME,08:00-12:00# set the first time period as 8:00 to 12:00
(eg)TIME,08:00-12:00,14:0 0-15:20,23:00-24:00#	<b>Device current time:</b> 2012-10-21;18:20:32	

## 5.8 Set Time Zone

SMS Content	Reply SMS	Description
(a)GMT, time bearing, time zone# (b)GMT, time bearing, time zone, half time zone#	<b>Time zone:E,8,0</b>	Timezone: E/W; Standard Timezone: 1-12; Half-hour Timezone: 15/30/45
(ega)GMT,E,8# (egb)GMT,E,8,30#		

## 5.9 Set MMS Notification

SMS Content	Reply SMS	Description
<b>MMSON#</b>	<b>MMS alarm: ON</b>	ON MMS notification
<b>MMSOFF#</b>	<b>MMS alarm: OFF</b>	OFF notification

## 5.10 Set Resolution

SMS Content	Reply SMS	Description
<b>SIZE,1#</b>	<b>Photo resolution: 640*480</b>	Set resolution as 640*480
<b>SIZE,0#</b>	<b>Photo resolution: 320*240</b>	Set resolution as 320*240

## 5.11 Set Number of Photograph

SMS Content	Reply SMS	Description
<b>PHOTOSET,timeinterval,num of picture#</b>	<b>Set Success</b>	Time interval:0-60; 0:continuous shooting Num of picture: 1-5 Factory status: "PHOTOSET,0,1#"
(eg)PHOTOSET,0,1#		



## 5.12 Set Alarm Capture

SMS Content	Reply SMS	Description
ALARMSET,number of picture,video record time#	Set Success	Number of pictures: 0-5, video record time:0-300 (s) , if 0, no photo or no video record; Factory:"ALAEMSET,3,60#".
(eg)ALARMSET,3,60#		

## 5.13 Set Time Interval of IR Alarm

SMS Content	Reply SMS	Description
INTERVAL,time#	Set Success	Time: 60-3600 (s), Factory:"INTERVAL,300#"
(eg)INTERVAL,300#		

## 5.14 Set Dialing Notificaton

SMS Content	Reply SMS	Description
CALLSET,call time#	Set Success	Time: 0-3, 0 means off dialing notification Factory: "CALLSET,0#"
(eg)CALLSET,3#		

## 5.15 LED Indicator Setting

SMS Content	Reply SMS	Description
HIDE,1#	Set Success	LED indicators will be off after 5mins
HIDE,0#	Set Success	LED indictors always on

## 5.16 Power Connect Notification Setting

SMS Content	Reply SMS	Description
CHARGERIN,ON#	Set Success	
CHARGERIN,OFF#	Set Success	

## 5.17 Power Disconnect Notification Setting

SMS Content	Reply SMS	Description
CHARGEROUT,ON#	Set Success	
CHARGEROUT,OFF#	Set Success	

## 5.18 Server Setting

SMS Content	Reply SMS	Description
(a)SERVER,1,domain,port,0# (b)SERVER,0,ip,port,0#	Set Success	
(ega)SERVER,1,coomix.goomegps.net,9880,0#		
(egb)SERVER,0,183.60.142.140,0#		

## 5.19 Server with DNS service Setting

SMS Content	Reply SMS	Description
(a)DSERVER,MODE1,domain,port,protocol0#	Set Success	
(b)DSERVER,mode0,IP,port,protocol0#		
(ega)DSERVER,1,www.ydpat.com,8011,0# (egb)DSERVER,0,211.154.135.113,8011,0#		

## 5.20 Real-time Photograph Setting

SMS Content	Reply SMS	Description
(a)PHOTO# (b)333	MMS with pictures	

## 5.21 Check GPRSParameters

SMS Content	Reply SMS	Description
GPRSSET#	GPRS APN:internet.kktcell GPRS name: GPRS pwd: MMS URL:http://mms.kktcell.com/cmmsc/post MMS IP: 212.252.169.99 MMS port:8080 MMS APN:mms.kktcell MMS name: MMS pwd: MMS type: SERVICE SET: url:coomix.goomegps.net mod:0 addr:0.0.0.0 port:9880 protol_type:0	

## 5.22 Check SET Parameters

SMS Content	Reply SMS	Description
(a)SET# (b)555	Status: OFF SOS1: 123456 SOS2: SOS3: Timing fortification status: OFF Fortification time00:00-23:59,00:00-00:00,00:00 -00:00 Device current time:2012-12-18;8:35:52 IMEI: xxxxxxxxxxxxxxxx MI number:1544863 MMS alarm:ON Photo resolution:320*240	

## 5.23 Check Base Parameter

SMS Content	Reply SMS	Description
PARAM#	BY:STRONG;GPRS:Link Up;GSM:strong;GT:E,8,0;LG:0;SE:0;AT:3,60;PT:0 ,1;CT:0;IL:300;CO:ON;CI:OFF;HE:1;	Battery status, GPRS status,GSM status, time zone,language,resolution,IR alarm status,photographsetting,dia ling notification status,IR alarm time interval,power failure alarm status,power connect alarm status,LED indicator setting.

## 5.24 Check Firmware Version

SMS Content	Reply SMS	Description
VERSION#	[VERSION:]GM01_30_3SP_V20_WM [BRANCH:]09A_V20 GXQ53_12832_09A	

## 5.25 Check Device Time

SMS Content	Reply SMS	Description
SETTIME#	Alarm current time is: 2012-10-21;18:20:32	

## 5.26 Reboot

SMS Content	Reply SMS	Description
RESET#	system reboot after 30 seconds	Device would reboot in 30s

## 5.27 Restore to Factory

SMS Content	Reply SMS	Description
FACTORY#	Set Success, system reboot after 30 seconds	Restore to factory setting. Device would auto reboot in 30s

# 6.0 Appendix

## ➤ 6.1 Battery safety

- Please use the battery provided by the manufacturer of the device. Use of other accessories may lead to void warranty service. The manufacturer is not liable for any damage resulted from using accessories from other channels.
- New battery should be fully charged (12 hours) and discharged for two or three times to achieve the best performance.
- Battery can be charged and discharged for hundreds of times and finally get useless. When calling time and standby time is decreased obviously, you need to change new battery.
- Touching any metal object (key in pocket) would easily cause battery short-circuit.
- Do not forcibly bend and open battery.
- Keep the battery away from water and fire.
- Battery should be charged at room temperature. If temperature is lower than 0°C or higher than 40°C, the battery may not be charged.

## ➤ 6.2 Troubleshooting

If you are having trouble with your mobile device, try these troubleshooting procedures before contacting a service professional.

Common problems	Causes	Solution
Fail to turn on	Power off	Charge battery
Fail to monitor	The called number is not the SOS number	Set up SOS number
	SIM card without caller ID display function	Active function of caller ID display
Fail to connect network	Wrong installation of SIM card	Check SIM card installation
	Filth on the SIM card iron surface.	Clean it
	Useless SIM	Contact internet service provider
	Beyond GSM service area	Use it in effective GSM service offer area
	Bad signal	Try again in a better signal area
Fail to charge	The voltage is unsuitable	Connect with power with suitable voltage
	Improper connection	Check connection with charger