

Display Brightness

Use the **Forward** and **Reverse Buttons** to cycle through Low, Medium, and High brightness settings for the display. Please note that the radio must be off to set the brightness.

Troubleshooting

- If the unit does not work at all check the AC adapter connection on the back of unit and the wall outlet.
- If the trouble persists, **DO NOT ATTEMPT TO REPAIR THE UNIT.** See warranty for factory services.

Maintenance

- Protect your furniture when placing the clock on natural wood or a lacquered wood finish. A cloth or other protective material should be placed between the unit and the furniture.
- Clean the casing with a soft cloth moistened only with mild soap and water. Stronger cleaning agents may damage the surface of the case.
- If the clock is not to be used for a prolonged period, remove the batteries to prevent possible corrosion. Should the battery compartment become corroded or dirty, clean it thoroughly and replace the batteries.

Questions or Comments

For questions or comments regarding this or other KIDdesigns products, please call our toll-free number:

1-888-TOP-TOYS.

Please also visit our web site: www.kiddesigns.com.

FCC Information

This device complies with Part 15 of the FCC Rules. Operation is subject to the following two conditions: (1) This device may not cause harmful interference, and (2) this device must accept any interference received, including interference that may cause undesired operation.

NOTE: This equipment has been tested and found to comply with the limits for a Class B digital device, pursuant to Part 15 of the FCC rules. These limits are designed to provide reasonable protection against harmful interference in a residential installation. This equipment generates, uses, and can radiate radio frequency energy and, if not installed and used in accordance with the instructions, may cause harmful interference to radio communications. However, there is no guarantee that interference will not occur in a particular installation. If this equipment does cause harmful interference to radio or television reception, which can be determined by turning the equipment off and on, the user is encouraged to try to correct the interference by one or more of the following measures:

- Reorient or relocate the receiving antenna.
- Increase the separation between the equipment and receiver.
- Connect the equipment into an outlet on a circuit different from that to which the receiver is connected.
- Consult the dealer or an experienced radio/TV technician for help.

FCC Information

WARNING: Changes or modifications to this unit not expressly approved by the party responsible for compliance could void the user's authority to operate the equipment.

This Class B digital apparatus complies with Canadian ICES-003.

Cet appareil numérique de la classe B est conforme à la norme NMB-003 du Canada.

Limited One Year Warranty

KIDdesigns warrants this product to be free from defects in workmanship and materials, under normal use and conditions, for a period of one Year from the date of original purchase.

Should service be required by reason of any defect or malfunction, it is best to first return this product and all parts thereof to the store where it was originally purchased. If you need to send the product for service during the warranty period, KIDdesigns will repair or, at its discretion, replace this product without charge (except for a \$6.00 charge for handling, packing, return UPS/postage and insurance). This decision is subject to verification of the defect or malfunction upon delivery of this product to the Factory Service Center listed below. The product must include proof of purchase, including date of purchase.

Before returning this product for service, please first replace the batteries (if applicable) with fresh ones, as exhausted or defective batteries are the most common cause of problems encountered.

If service is still required:

1. Remove batteries (if applicable) and pack unit in a well-padded, heavy corrugated box.
2. Enclose a photocopy of your sales receipt, credit card statement, or other proof of the date of purchase.
3. Enclose a check or money order payable to the order of KIDdesigns, for the sum of \$6.00.
4. Send the unit prepaid to the Factory Service Center listed below.

NOTE: This warranty is valid only if the product is used for the purpose for which it was designed. It does not cover (i) products which have been damaged by negligence, misuse or accident, or which have been modified or repaired by unauthorized persons; (ii) cracked or broken cabinets, or units damaged by excessive heat; (iii) damage to tape cassettes (if applicable); (iv) the cost of shipping this product to the Factory Service Center and its return to the owner.

This warranty is valid only in the United States of America and does not extend to owners of the product subsequent to the original purchaser. Any applicable implied warranties are also limited to 90 days, and KIDdesigns will not be liable for consequential damages. (Some states do not allow limitations on implied warranties or exclusion of consequential damages, so these restrictions may not apply to you.) This warranty gives you specific legal rights, and you may also have other rights which vary from state to state.

Send unit to:

Consumer Repair Department
KIDdesigns, Inc.
1330 Goodyear Dr.
El Paso, TX 79936-6420

© Disney/Pixar
Visit disney.com/cars

Distributed by KIDdesigns, Inc. Rahway, NJ 07065-5024

eKids is a wholly owned subsidiary of KidDesigns, Inc.,
1299 Main Street Rahway NJ 07065

Printed in China

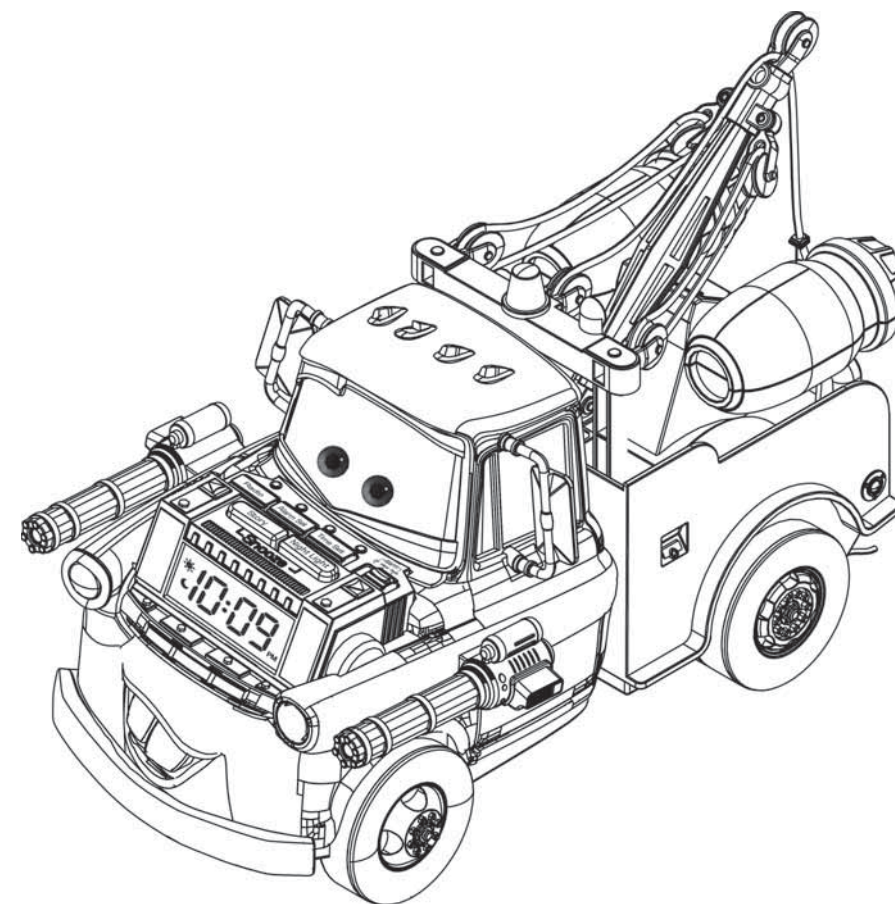
CR-325-06152011-0

"UFM: Unidentified Flying Mater" from *Mater's Treasury of Tall Tales*
© 2011 Disney Enterprises/Pixar, Disney Press
"Hoodwinked" from *World of Cars*
© 2008 Disney Enterprises/Pixar, Disney Press



Model CR-325

Mater's Radio Alarm Clock



Important Message to Consumers

Thank you for purchasing one of Disney/Pixar's top-quality electronic products. We would appreciate it if you take a few moments to read through these instructions. This will help you understand the safe and proper way to use this product, and to help give it the long-lasting life that Disney/Pixar products are designed for.

Keep these instructions for future reference as they contain important information.

Connecting the AC Adapter


The included AC adapter must be used for proper clock operation and should be connected by an adult.

- Plug the AC adapter cable into the DC adapter jack on the back of the unit (near the rear license plate) and connect the plug end into a working outlet that is not controlled by a wall switch.

Remove Demo Tab

The unit has a demo tab for in-store demonstration purposes. Make sure to remove this tab from the bottom of the unit. To do so, gently pull on tab. Dispose of tab properly.

Installing/Replacing the Backup Batteries

This unit comes with 3 AA batteries already installed. These are for in-store demonstration purposes only and should be replaced when you get the product home. When the included AC adapter is connected, the batteries will serve as battery backup in the event of a power failure. The batteries should be replaced when the low battery icon  appears on the display.

1. Using a Phillips screwdriver, open the battery compartment door located on the bottom of the unit.
2. Insert 3 new AA (LR6) batteries in the battery compartment. Make sure batteries match the + and - as indicated in the battery compartment diagram.
3. Replace battery compartment door. Do not overtighten screw.

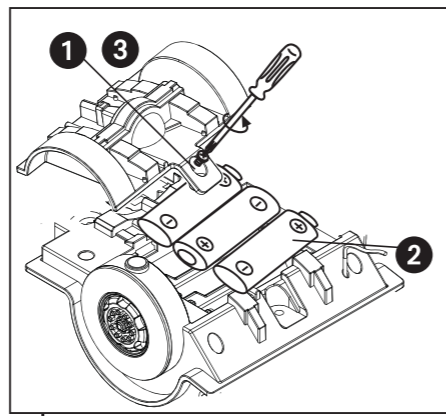
WARNING : DO NOT THROW BATTERIES AWAY WITH HOUSEHOLD TRASH. PLEASE CONSULT LOCAL REGULATIONS FOR PROPER BATTERY DISPOSAL.

For the Best Possible Performance

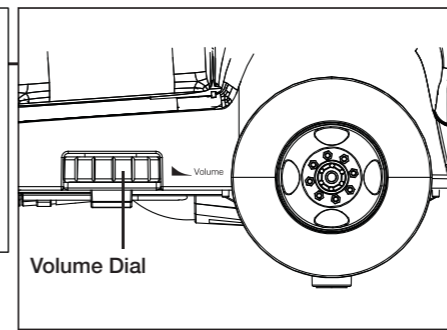
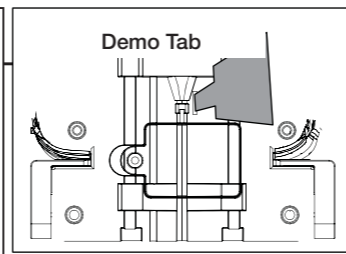
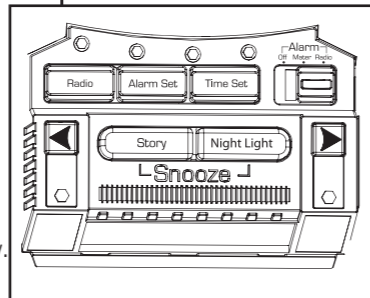
- We recommend the use of alkaline batteries for longer life.
- Do not mix old and new batteries.
- Do not mix alkaline, standard (carbon-zinc) or rechargeable (nickel-cadmium) batteries.
- Batteries are to be inserted with correct polarity.
- Remove exhausted batteries from the unit.
- Do not attempt to recharge non-rechargeable batteries.
- Remove the rechargeable batteries from the unit before charging.
- The supply terminals are not to be short-circuited.
- Batteries should be removed if the item will not be used for an extended period of time, such as a month or longer, to prevent battery leakage or damage.
- Rechargeable batteries should only be charged under adult supervision.
- Only batteries of the same or equivalent type recommended are to be used.

Setting The Time

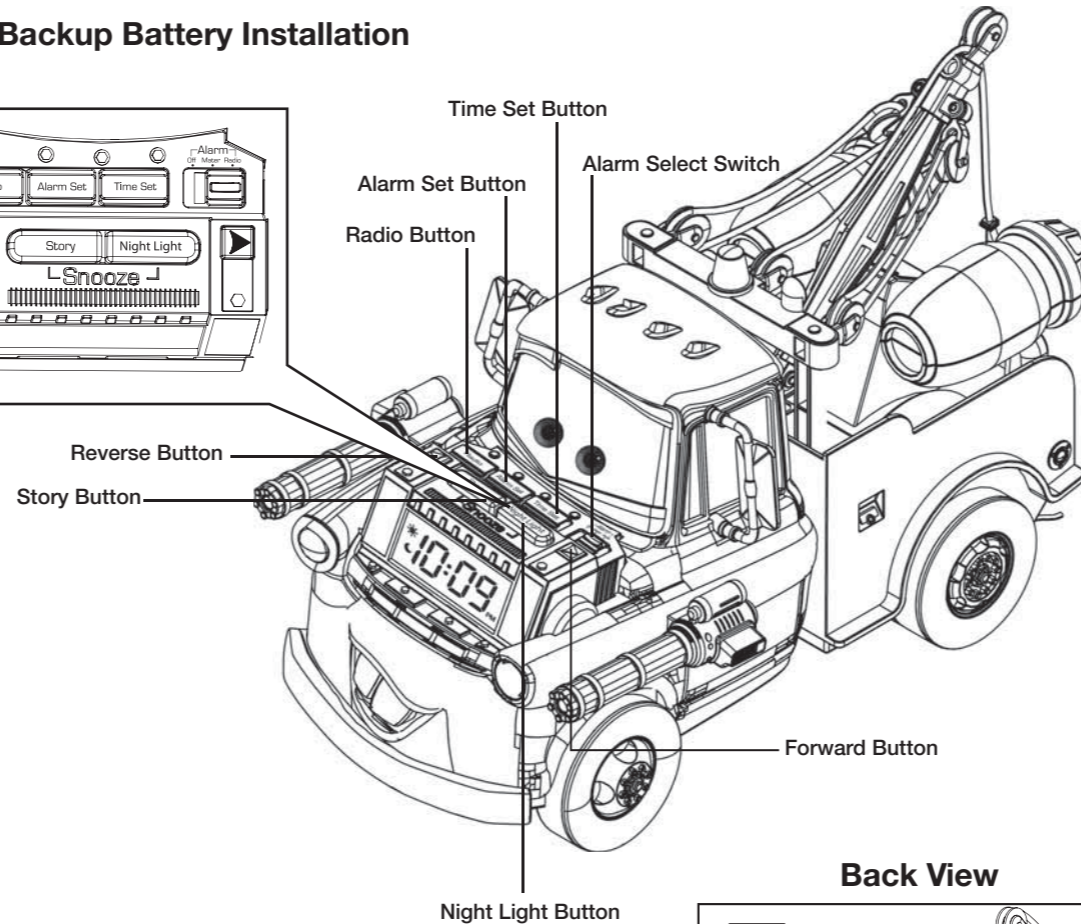
- Press and hold the **Time Set Button** until the display flashes.
- Press the **Forward** or **Reverse Button** to adjust the clock to the current time (hold to set more rapidly). Make sure to set the correct AM or PM time. The PM indicator appears to the lower right of the time display; there is no AM indicator.
- Press the **Time Set Button** to confirm time setting.



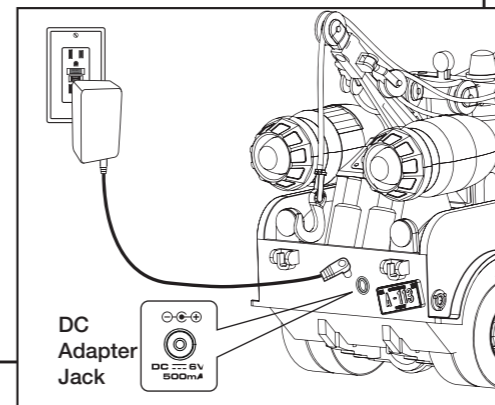
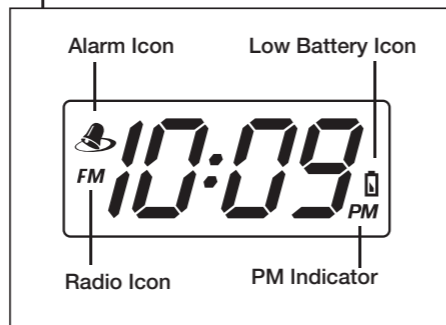
Backup Battery Installation



Right Side of Mater




Clock Display



Volume Dial

Use the **Volume Dial** to adjust the volume of the radio and stories. Please note that this also controls your alarm volume.

Setting the Alarm

- Press and hold the **Alarm Set Button** until the display flashes.
- Press the **Forward** or **Reverse Button** to adjust the display to the desired alarm time (hold to set more rapidly). Make sure to set the correct AM or PM time. The PM indicator appears to the lower right of the time display; there is no AM indicator.
- Set the **Alarm Select Switch** to "Mater" to wake up to Mater's voice, set to "Radio" to wake to radio, and set to "Off" to disable the alarm. Alarm is active when the  icon appears on the display.
- Press the **Alarm Set Button** to confirm alarm setting.

Snooze and Alarm Reset

Press down on the **Story Button** OR the **Night Light Button** when the alarm sounds to snooze the alarm for 10 minutes.

Press the **Alarm Set Button** to stop a sounding alarm and reset it to come on the next day at the same time.

Setting up the Radio

Untie the FM antenna and extend to its full length for best reception. DO NOT STRIP, ALTER OR ATTACH TO OTHER ANTENNAS.

Using the Radio

- Press the **Radio Button** to turn on the radio. If you want the radio to turn off by itself, keep pressing the Radio Button to cycle through 60, 45, 30, and 15 minute radio timer settings which will appear on the display. If "On" is displayed, the radio will stay on indefinitely. When the radio is in use, the **FM** icon appears on the display. Please note the radio is FM only.
- While the radio is in use, press the **Forward** and **Reverse Buttons** to adjust the frequency. Holding those buttons down will scan through frequencies more rapidly.
- Turn off the radio by pressing the **Radio Button** again. The last radio frequency used will be remembered.

Story Button

Press the **Story Button** as needed to cycle to and play each of the 2 built-in stories and to turn story mode OFF.

Night Light Button

The alarm clock has a night light with 7 color settings. Press the **Night Light Button** to cycle through these settings: Color change (fades continuously through the 3 colors), green high, green low, amber high, amber low, blue high, blue low and off. Please note that there are only 4 color settings available when the radio is turned on.