



Top Mount Refrigerator

PRODUCT MODEL NUMBERS

W1TXEMFW W2RXEMMW
 W1TXEMMW W2RXNMMW
 W1TXNMFV W9RXEMMW

Electrical: A 115-volt, 60-Hz., AC-only, 15- or 20-amp fused, grounded electrical supply is required. It is recommended that a separate circuit serving only your refrigerator be provided. Use an outlet that cannot be turned off by a switch. Do not use an extension cord.

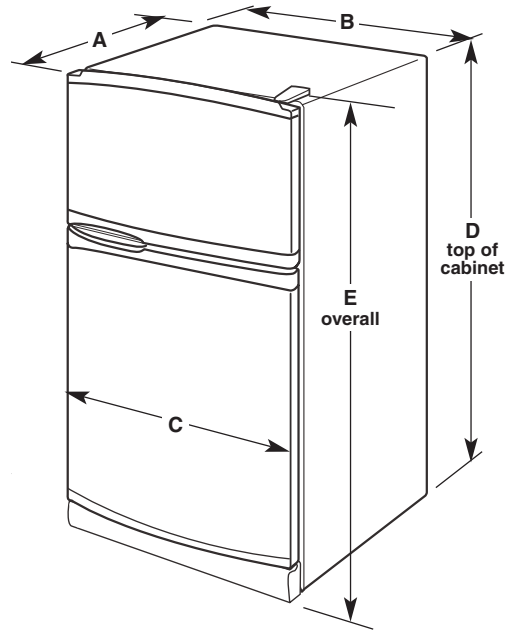
NOTE: Before performing any type of installation, cleaning, or removing a light bulb, turn the control (Thermostat, Refrigerator or Freezer Control depending on the model) to OFF and then disconnect the refrigerator from the electrical source. When you are finished, reconnect the refrigerator to the electrical source and reset the control (Thermostat, Refrigerator or Freezer Control depending on the model) to the desired setting.

Water: A cold water supply with water pressure of between 30 and 120 psi (207 and 827 kPa) is required to operate the water dispenser and ice maker. If you have questions about your water pressure, call a licensed, qualified plumber.

IMPORTANT: The pressure of the water supply coming out of a reverse osmosis system going to the water inlet valve of the refrigerator needs to be between 30 and 120 psi (207 and 827 kPa).

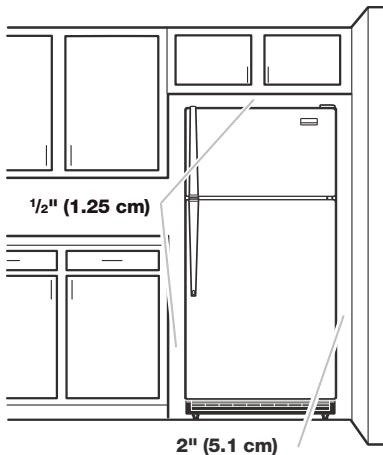
If a reverse osmosis water filtration system is connected to your cold water supply, the water pressure to the reverse osmosis system needs to be a minimum of 40 to 60 psi (276 to 414 kPa).

PRODUCT DIMENSIONS



Model size	Depth "A"	Cab. Width "B"	Door Width "C"	Cab. Height "D"	Overall Height "E"
19 cu. ft.	31-1/2" (80 cm)	29-1/2" (74.9 cm)	30-1/8" (76.5 cm)	65-1/2" (166.4 cm)	66-1/2" (168.9 cm)
21 cu. ft.	29-3/8" (74.6 cm)	32-1/2" (82.6 cm)	32-3/4" (83.2 cm)	65-1/2" (166.4 cm)	66-1/4" (168.3 cm)
22 cu. ft.	31-1/2" (80 cm)	32-1/2" (82.6 cm)	33-1/8" (84.1 cm)	65-1/2" (166.4 cm)	66-1/2" (168.9 cm)

LOCATION REQUIREMENTS



To ensure proper ventilation for your refrigerator, allow for a 1/2" (1.25 cm) space on each side and at the top. When installing your refrigerator next to a fixed wall, leave 2" (5.1 cm) minimum on the hinge side (some models require more) to allow for the door to swing open. If your refrigerator has an ice maker, allow extra space at the back for the water line connections.

NOTE: It is recommended that you do not install the refrigerator near an oven, radiator, or other heat source. Do not install the refrigerator in a location where the temperature will fall below 55°F (13°C).