



SYTECH

Instruction Manual

SY-BV8



ELECTRIC TABLE BLENDER

Welcome!

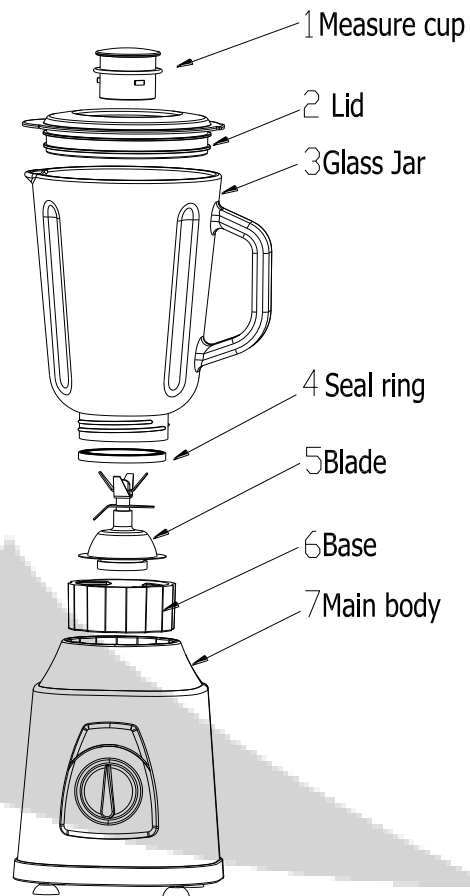
Thank you for purchasing the new table blender SY-BV8. In order to fully benefit from this product, please read the following instructions carefully. Store this user manual in a safe place for future reference.

Safety Instructions

- Please read the instruction manual before using.
- Close supervision is necessary when the appliance is being operated near children.
- When shifting the appliance from one place to another, handle it with great care; if the unit is dropped or hit, it will stop functioning properly.
- The appliance should always be laid on a smooth table or plane surface during use.
- Do not let the cord hang over the edge of a table or touch hot surfaces.
- Make sure the appliance is unplugged when not in use. Only plug in the plug to a wall outlet, do not use extensions or multi socket outlets as this could provoke a circuit overload.
- If your wall outlet becomes loose, the appliance may overheat. Should this occur, contact Sytech Service Center.
- Any attachment which is not supplied with the blender must not be used as it may cause fire, electric shock or personal injuries.
- Make sure the appliance is properly & completely assembled before operating.
- Do not touch the small cutting blades in the base of the filter net.
- Do not use abrasives cleaners when cleaning this appliance.
- This appliance has an over heating protection installed inside, when the appliance overheats, the power will turn off. The appliance will resume normal functions once cooled down – usually after 15 minutes.
- In order to prolong the life span of the machine, we suggest that the machine should stop for 3 seconds every 10 seconds. The appliance must not be used for more than 2 minutes continuously.
- If the power cord is damaged, the unit does not function properly, or the blades or other accessories are broken/damaged contact Sytech Service Center, never try to manipulate the product by yourself as this may invalidate the guarantee.
- Always store in a dry and safe place when the appliance is not being used.

SYTECH

Parts of the SY-BV8



Before first use

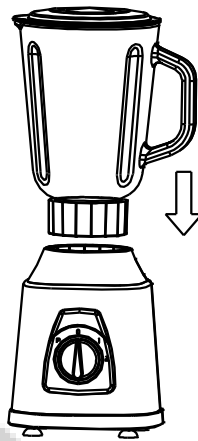
Check that all the accessories are in the box and the unit is not damaged in any way. Then insert some water into the jar and mix it (see section "Using the SY-BV8"), repeat this process 1 or 2 times then pour out the water.

Clean the measuring cup, Lid, Glass jar thoroughly with warm water or in the dishwasher.

Warning: the blade is sharp, handle with great care and ensure that the appliance is unplugged from the outlet before assembling or removing parts.

Using the SY-BV8

- To attach the jug, place the jug on top of the motor unit and turn it clockwise (See fig. 1). Ensure that the eight holes under the jar fix entirely into the fixers on the body. If the blender doesn't start functioning, it could mean that the jug is not well placed – remove it and assemble it once again.



- Ensure that the speed selector is on "0" before switching the plug into the wall outlet.
- Always peel and remove the seeds from fruits or vegetables and cut them into small pieces before inserting them into the blender. It is recommended to add a small amount of water with the food to facilitate the blending process. Never exceed the maximum level as indicated on the jar.
- Place the ingredients into the jar, place the top cover on the jar and switch the plug into the wall outlet. Then select the desired speed level to begin the blending process. You can choose between speed 1 or 2. To accelerate the process of blending you can set the speed to P (Pulse). See figure 2 below.
- When in use, you may insert food or any ingredient through the centre opening of the top cover.

Note: Do not use boiling liquids or run the appliance whilst empty.

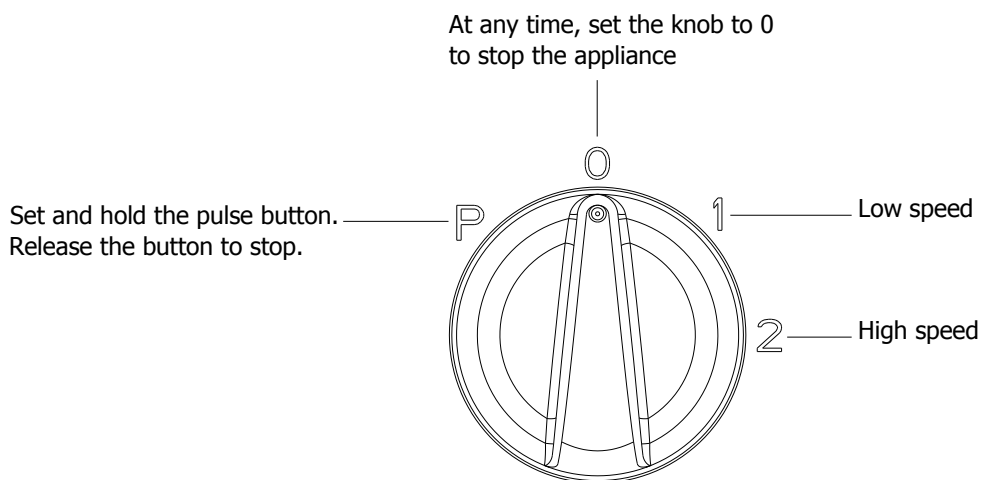


Fig. 2

- Do not operate the blender for more than 3 minutes consecutively.
- Once the mixture has been blended to your desired consistency, turn the speed selector to "0" position
- Turn anti-clockwise and remove the jar from the Motor unit, carefully remove the measure cup and then the contents can be poured and served.

Cleaning and Maintenance

The Auto Clean function can clean the blender and blades easily, rapidly and safely.

- Pour some warm soapy water into the jar and turn the Speed Selector to P position for a few seconds
- Remove the jar and rinse under running water.
- Always wipe the outer surface of the motor unit with a moistened cloth, do not use any abrasive cleaners.
- Never immerse the motor unit in water for cleaning.
- Dry all parts thoroughly and place them back in their position.
- The blades can be disassembled for complete cleaning. Hold the blades carefully, (Warning: the blades are sharp) take it out by turning the cup and the blades at the same time, in opposite directions. Then place the top cover, measuring cup, the jar and blade assembly into the dishwasher for cleaning. These parts are all dishwasher safe components. However make sure that the temperature setting of the dishwasher does not exceed 60°
- If any problem has been encountered during use never disassemble the motor base by yourself, there are no user serviceable parts inside. Contact Sytech Service Centre for any queries.

Technical Specifications

Electric Table blender

Motor power: 400W.

6 leaf blades of stainless steel

Removable parts for easy cleaning.

2 speeds with Turbo function

Housing material: Stainless steel

Jar material: Glass

Jar capacity: 1.5L

Safety switch

Weight: 3.4 Kg.

Dimensions: 21 x 18 x 37.5 cm.

Power source: 230V / 50Hz.

