

TANNOY®

TA 600
USER MANUAL

1 CONTENTS

1	CONTENTS.....	1
2	APPROVALS	2
3	WARNINGS	2
3.1	Explanation of graphical symbols	2
3.2	WARNING.....	2
3.3	CAUTION.....	2
3.4	Important Safety Instructions	2
3.5	User responsibility.....	3
3.5.1	Speaker damage	3
3.5.2	Speaker output hazard	3
3.5.3	Radio interference	3
4	INTRODUCTION.....	4
4.1	Unpacking	4
4.2	Front Panel	4
4.3	Rear Panel.....	5
5	REAR PANEL FEATURES	6
5.1	Gain switch	6
5.1.1	The DIP-switch	6
5.1.2	Sensitivity	6
5.1.3	Options	6
5.2	Link switch	7
5.3	Operation modes	7
5.3.1	Stereo mode.....	7
5.3.2	Note for bench test	7
5.3.3	Tandem mode.....	7
5.3.4	Bridge mono mode	7
5.3.5	Bridge mono mode features	8
6	INSTALLATION.....	8
6.1	Mounting	8
6.2	Cooling.....	8
6.3	Operating voltage.....	9
6.4	Grounding	9
6.5	Power consumption	9
6.5.1	Calculation	10
7	CONNECTIONS.....	10
7.1	Input connections.....	10
7.1.1	Balanced inputs	10
7.1.2	Unbalanced inputs	11
7.2	Connecting speakers	12
8	OPERATION	12
8.1	Operation precautions.....	12
8.2	Powering up – Soft start.....	12
8.3	Input attenuators	13
8.4	Indicators	13
9	PROTECTION FEATURES	13
9.1.1	Clip Limiter.....	13
9.1.2	Thermal protection.....	14
9.1.3	VHF protection.....	14
9.1.4	Short circuit protection	14
9.1.5	AC mains voltage protection	14
9.1.6	D.C. protection.....	14
10	MAINTENANCE	14
10.1	Troubleshooting	14
11	WARRANTY	15

2 APPROVALS



This equipment conforms to the requirements of the EMC directive 89/336/EEC, amended by 92/31/EEC and 93/68/EEC and the requirements of the Low Voltage Directive 73/23/EEC, amended by 93/68/EEC.

Standard Applied

EMC Emission EN55103-1, E3
EMC Immunity EN55103-2, E3, with S/N below 1% at normal operation level.
Electrical Safety EN60065, Class

3 WARNINGS

3.1 Explanation of graphical symbols



The lightning symbol within a triangle is intended to alert the user to the presence of un-insulated “dangerous voltage” within the amplifier’s enclosure that may be of sufficient magnitude to constitute a risk of electric shock to humans.



The exclamation point within a triangle is intended to alert the user to presence of important operating and service instructions in the literature accompanying the product.

3.2 WARNING

To reduce risk of fire or electric shock, do not expose this apparatus to rain or moisture.



3.3 CAUTION


To reduce the risk of fire or electric shock, do not remove screws. No user-serviceable parts inside. Refer servicing to qualified service personnel.

3.4 Important Safety Instructions

Before using your amplifier, be sure to carefully read the applicable items of these operating instructions and the safety suggestions:

1. Keep this manual for future reference.
2. Heed all warnings.
3. Follow all instructions.
4. Do not use this unit near water. Do not spill water or other liquids into or on the unit. Do not operate the amplifier while wet or standing in liquid.
5. Clean only with dry cloth.
6. Do not block the air intake or exhaust ports. Install the unit in accordance with the instructions.
7. Do not operate the amplifier near heat producing devices such as radiators, heat registers, stoves or other apparatus that produce heat.
8. Always operate the unit with the chassis ground wire connected to the electrical safety earth. Do not defeat the safety purpose of a grounding-type plug. A grounding type plug has two pins and a third grounding prong. The third prong is provided for your safety. If the provided plug does not fit into your outlet, consult an electrician for replacement of the obsolete outlet.
9. Connect only to AC power outlets rated 230-240V (or 100-120V), 50-60Hz



10. Do not use this amplifier if the power cord is broken or frayed. Protect the power cord from being walked upon or pinched particularly at the plugs and the point where it exits from the apparatus.
11. Only use accessories specified by the manufacturer.
-  12. The unit is intended to use in a 19" rack. Follow the mounting instructions. When a rack on wheels is used, use caution when moving the loaded rack to avoid injury from tipping over.
13. Unplug this apparatus during lightning storms or when unused for long periods of time.
14. Do not connect an amplifier output in parallel or series with any other amplifier's output. Do not connect the amplifier output to any other voltage source, such as battery, mains source, or power supply, regardless of whether the amplifier is turned on or off.
15. Do not run the output of any amplifier back into another channel's input.
16. Refer all servicing to qualified service personnel. Servicing is required when the apparatus has been damaged in any way such as:
 - Power-supply cord or plug is damaged
 - Liquid has been spilled into the unit
 - An object has fallen into the unit
 - The unit has been exposed to rain or moisture
 - The unit does not operate normally
 - The unit was dropped or the enclosure is damaged
17. Do not remove top or bottom covers. Removal of the cover will expose hazardous voltages. There are no serviceable parts inside and removal may void the warranty.
18. An experienced user shall always supervise this professional audio equipment, especially if inexperienced adults or minors are using the equipment.

3.5 User responsibility

3.5.1 Speaker damage



Your amplifier is very powerful and can be potentially dangerous to both loudspeakers and humans alike. Many loudspeakers can be easily damaged or destroyed by overpowering, especially with the high power available from a bridged amplifier. Always check the speaker's continuous and peak power capabilities. Even if using the amplifier's front panel attenuator reduces the gain, it is still possible to reach full output power, if the input signal level is high enough.

3.5.2 Speaker output hazard



Power amplifiers are capable of producing hazardous output voltages. To avoid electrical shock, do not touch any exposed speaker wiring, while the amplifier is operating. See page 6 about outputs for proper connection of speakers.

3.5.3 Radio interference

A sample of this product has been tested and complies with the limits for the European Electro Magnetic Compatibility (EMC) directive. This equipment has also been tested and found to comply with the limits for a Class B digital device, pursuant to Part 15 of the FCC Rules. These limits are designed to provide reasonable protection against harmful interference from electrical equipment. This product uses radio frequency energy and if not used or installed in accordance with these operating instructions, may cause interference to other equipment, such as radio receivers. However, there is no guarantee that interference will not occur in a particular installation.

If this equipment does cause harmful interference to radio or television reception, which can be determined by turning the equipment on and off, the user is encouraged to try to correct the interference by one or more of the following measures:

- Reorient or relocate the antenna.
- Increase the separation between the equipment and receiver.
- Connect the equipment into an outlet on a circuit different from that to which the receiver is connected.
- Check if the affected unit complies with the EMC limits for immunity, (CE-labelled). If not, address the problem with the manufacturer or supplier. All electrical products sold in the EC must be approved for immunity against electromagnetic fields, high voltage flashes, and radio interference.
- Consult the dealer or an experienced radio/TV technician for help.

4 INTRODUCTION

Thank you for purchasing a Tannoy power amplifier. This manual contains important information on operating your amplifier correctly and safely. Please take some time and read this manual to familiarize you with the advanced features of this amplifier.

4.1 Unpacking

Carefully open the shipping carton and check for any noticeable damage. Every Tannoy amplifier is tested and inspected before leaving the factory and should arrive in perfect condition. If found to be damaged, notify the shipping company immediately. Only the consignee may institute a claim with the carrier for damage incurred during shipping. Be sure to save the carton and packing materials for the carrier's inspection.

It is also advisable to save the carton and packing material, even if the amplifier is undamaged. Should you ever need to ship the amplifier, always use the original packing.

4.2 Front Panel

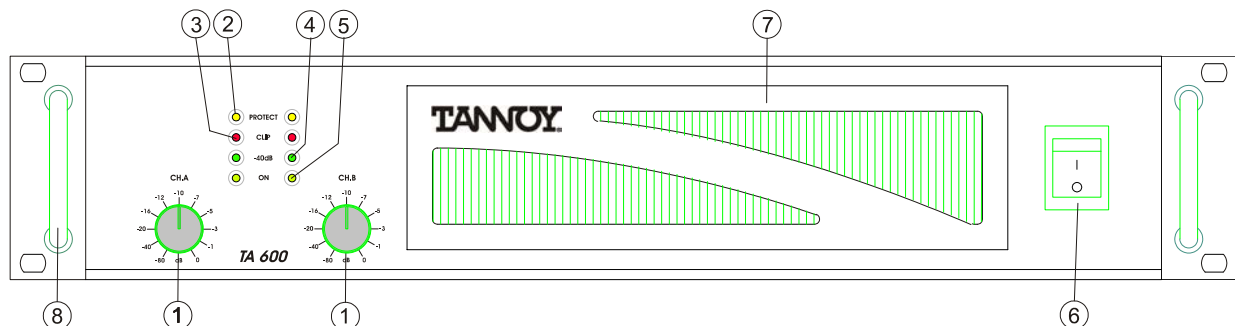


Figure 1 front panel

1. Input level attenuators

These controls are used to alter the signal level entering the amplifier. They are calibrated in dB to assist the setup of active loudspeaker systems or cut down unwanted noise from the input signal. (See page [13](#)).

2. Protect indicator

This indicator illuminates if the amplifier tries to operate above its maximum operating temperature (90°C). The indicator first comes on as a warning to either turn down the input level or check the cooling arrangements. Beyond the maximum temperature the amplifier will mute the input signal. Once the cooling fans have brought the output heat sinks back to normal operating temperature the input signal is un-muted.

This indicator also illuminates when signals above 12 kHz are continuously present at full power at the output terminals or if short circuit protection is activated. If this occurs the input signal is muted, and the process cycles until the VHF signal is no longer present or the short is removed. (See page [14](#)).

3. Clip/limit indicator

This indicator signals when the amplifier output is clipping or limiting. It has two different indication states:

If the clip limiter is engaged, it has a short time constant and it illuminates briefly. (See page [13](#)).

If the clip limiter is not engaged, it has an increased time constant and it illuminates for a longer period.

4. Signal present indicator.

Illuminates at -40dB below full output signal.

5. On indicator

The two bottom green "ON" LEDs indicate that the output circuits are receiving the correct rail voltage.

6. Power switch

Turns mains power on or off.

(See page [9](#) and [12](#))

7. Fan grill filters

A grille with foam filters is located on the front panel to prevent dust from entering the amplifier. The grille is removable for easy cleaning of the filter by simply pulling them off. The foam filter should always be used.

8. Carry/protection handle

Both handles can be used to carry the amplifier; they also act as protection for the front panel. In fixed installations or where rack front covers are too shallow, they may be removed by unscrewing the retaining bolts behind the front panel.

4.3 Rear Panel h.09ah13 Tm(□ h.09ah13 Tm 1040 Tm(□ un)m 1040 Tm(□ un)

8. Gain switch channel A. Three of the switches in the DIP-switch selects the maximum gain of the channel to be either 20, 23, 26, 29, 32, 36, 39 or 41 dB. (See page 6).

9. AC power cable. WARNING!



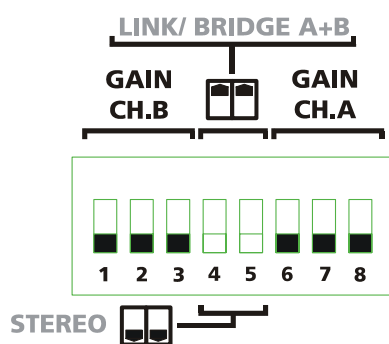
A label just below the mains cable on the rear of the amplifier indicates the AC mains voltage, for which the amplifier is wired. Connect the power cable only to the AC source referred to on the label.

5 REAR PANEL FEATURES

5.1 Gain switch

The gain switch located on the rear panel (the central DIP-switch) changes the input sensitivity of the amplifier. This can be handy when using low or high nominal input signals. E.g. most professional mixing consoles operate at a nominal level of +4 to +6 dBu; therefore you may use the 32dB position to provide you with plenty of fader movement. On the other hand, for a disco mixer operating at a nominal level of 0dBu or less use the higher gain positions.

5.1.1 The DIP-switch



There are separate sections for the two channels, so different gain can be selected for channel A or B. The selection of maximum gain in the amplifier is always a trade between noise and headroom. A low gain amplifier amplifies less of the noise of the preceding equipment (mixer, crossover, equalizer etc.). On the other hand a higher lever is needed to get full power, so the headroom will be decreased on mixer output and/or crossover units. In an actively divided system there is very often a so-called loudspeaker processor or controller involved, being unique for the loudspeaker system. In most cases the manufacturers of these processors and/or loudspeakers recommend a specific system gain for the amplifiers.

There are eight positions with different gain, from 20dB to 41dB in 3dB steps. See the different settings for the DIP-switches in the table below. The three switches to the very left are for channel B, and the three to the very right are for channel A.

GAIN	1 2 3	4 5 6	7 8
20dB			
23dB			
26dB			
29dB			
32dB			
35dB			
38dB			
41dB			
	6 7 8		

5.1.2 Sensitivity



Sensitivity is defined as how many volts (rms) or dBu (referred to 0.775Vrms) are required to get full output power. As the output power varies with the load impedance, usually 4 ohms is the reference. But in case of an MLS-switch equipped amplifier there are enough choices for full output levels into different load impedances for a sensitivity table to fill several pages.

Hence we recommend calculating the sensitivity if this is necessary. Our "Audio calculator" can do this, which is an Excel file with many useful formulas. It contains help for setting up digital loudspeaker processors and can be found on our website www.tannoy.com

The sensitivity calculator is found in the box labeled "Amplifier gain conversions". The values to enter are in red; desired output power (see MLS-table), load impedance and the selected maximum gain. The sensitivity is in the box labeled "Input level for clip" in Vrms or dBu.

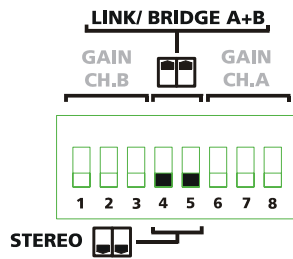
5.1.3 Options

As the DIP-switch is recessed, one can put a sticker across the bay and prevent from unauthorized changes. Another option is to remove the DIP-switch. This should be done by authorized service personnel only! This corresponds to all switches set to "off", i.e. 32dB gain and stereo mode.

5.2 Link switch

The Link switch located on the rear panel (the central DIP-switch) is for changing the operation mode of the amplifier (see below, section 5.3).

5.3 Operation modes



5.3.1 Stereo mode

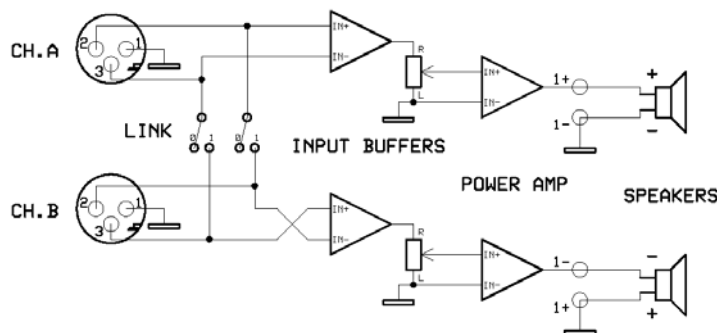
In this mode, both channels operate independently of each other. This is used for all 2-channel modes, such as stereo and bi-amping. Set the two center switches to off position for the stereo mode. The level attenuators on the front panel will control the respective channels levels.

Never connect either output terminal to ground or in parallel. The recommended minimum nominal impedance, for stereo or tandem operation, is 2 ohms per channel.

5.3.2 Note for bench test



NOTE: Channel B is always polarity reversed on the input, but polarity compensated by feeding the minus pin on the Channel B output with the output voltage. Channel A output is connected in normal polarity mode. By having channel A and B operating in opposite polarity, the energy storage in the power supply is more efficient. This is significant for signals below 100 Hz (sub bass etc.) and improves the power bandwidth. **Be sure to use balanced inputs on all measurement equipment (also oscilloscope probes) if you are bench testing.**



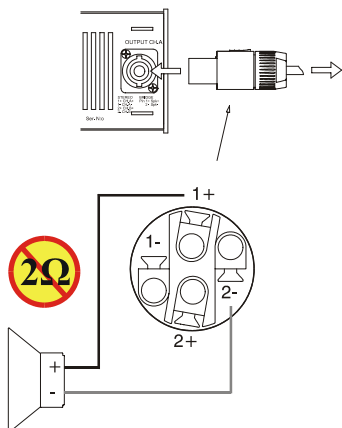
Reverse operation of Channel B.

5.3.3 Tandem mode

In tandem mode both channels' inputs are linked and receive the same signal. The tandem mode is active if the Link switches are in position "On". Both level attenuators are active, allowing you to set different levels for each channel. Note that only the inputs are connected in parallel. This is NOT a parallel output mode. **Never connect either output terminal to ground or in parallel.**

You can use the remaining input connectors to carry signal to other amps. This is called "Daisy-chaining".

NOTE: Always turn off the Link switch when using the amplifier for Bi-amping.



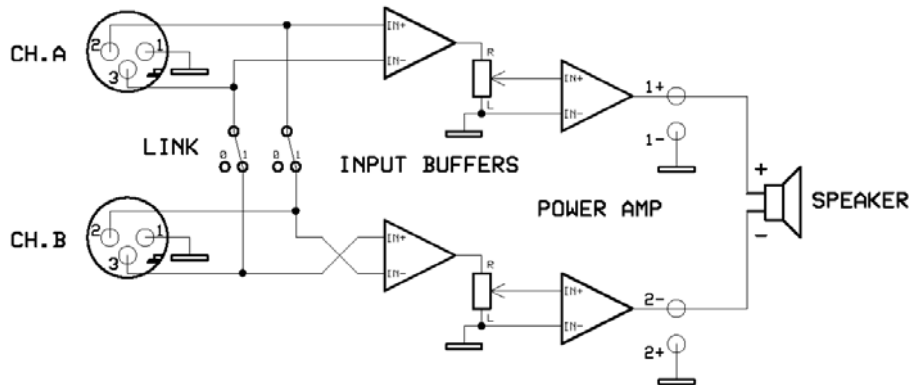
5.3.4 Bridge mono mode

Bridge mono mode is used to deliver both channels' power to a single load. The nominal impedance of the load must be more than 3 ohms. Set the Link switches to the "On" position and use one of the input connectors. You can use the remaining input connectors to carry signal to other amps. Both level attenuators must be at the same position. We recommend that you put them in the 0dB (full) position. Connect the speaker as shown. Always use Channel A's output connector.

5.3.5 Bridge mono mode features

Bridged mono mode combines the power of both channels into one speaker. This results in twice the voltage swing, four times the peak power and just less than three times the full power of a single channel.

One way to understand the load and power from the amplifier's perspective in bridged mode is that it is zero voltage at the center of the voice-coil winding. This is because the coil is driven with positive voltage at one pole and an equivalent negative voltage at the other pole. So, if an 8 ohms load is connected in bridged mode, one channel shares one 4 ohms part of the load, and the other channel shares the other 4 ohms part. The power into 4 ohms from an TA 600 is 320W. So, the total bridged power into the 8 ohms load will be $2 \times 320 = 640W$



6 INSTALLATION

6.1 Mounting

The amplifier is two rack units high (2U) and will mount in a standard EIA 19" rack. Amplifiers may be stacked directly on top of each other. There is no need for spacing between units. If it is the intention to fill a rack with amplifiers, we recommend racking is started from the bottom of the rack. It is also recommended that rear supports are used for amplifiers mounted in the middle of the rack, especially if used as part of a portable system.

6.2 Cooling

Your amplifier uses a forced air cooling system to maintain a low and even operating temperature. All fan cooled Tannoy amplifiers have front to rear airflow. There are several reasons for this, one being that there is usually cooler air outside the rack than inside, and therefore the amplifiers can run at higher continuous power levels without thermal problems. Never try to reverse the airflow, as the Intercooler® needs a pressure chamber between the fans and heat sink, and this only works in one direction of the airflow.

Should a heat sink get too hot, its sensing circuit will mute the hot channel. If the power supply overheats, another sensing circuit will mute all output channels, until it cools down to a safe operating temperature.

Make sure that there is an adequate air supply in front of the amplifier, and that the rear of the amplifier has sufficient space to allow the exhaust to escape. If the amplifier is rack-mounted, do not use covers or doors on the front or rear of the rack.

For installations with a central cooling system, usually found in fixed installations with a dedicated rack room, it may be necessary to calculate the maximum heat emission. Refer to Power consumption on page [9](#).

6.3 Operating voltage

WARNING!



A label just below the mains cable on the rear of the amplifier indicates the AC mains voltage, for which the amplifier is wired. Connect the power cable only to the AC source referred to on the label. The warranty will not cover damage caused by connecting to the wrong type of AC mains.

If the power plug is not appropriate for your country, it can be cut off and wired to a suitable connector in the following way:

BLACK or BROWN

LIVE

WHITE or BLUE

NEUTRAL

GREEN or GREEN/YELLOW

EARTH

Once the AC connector is connected to a suitable AC supply, the amplifier can be started with the power switch. When you power up the amplifier it takes a couple of seconds to check its circuits (this is known as the "soft start" or "slow start" sequence), the fans then blow at high speed before going into "idle" and the two bottom green LED's come on to show the output circuits are receiving the correct rail voltage.

6.4 Grounding

There is no ground lift switch or terminal on this amplifier. The signal ground is always floating via a resistor to chassis and the grounding system is automatic. If a potential above 0.6V presents itself between signal ground and chassis ground, a short circuit is introduced between the two, thereby enabling electrical protection. If a unit in the system is faulty, its mains fuse will blow, due to this automatic ground system.

If however you wish to tie the signal ground to chassis, connect the XLR-connector's shell lug to pin 1. In the interest of safety never disconnect the earth pin on the AC power cord.

For all units that are CE approved (radio interference), there is an AC mains filter. This filter needs the chassis ground for reference, otherwise a current loop is formed via the signal ground.

Use the balanced input to avoid hum and interference.

6.5 Power consumption

There are three ways to determine the power/current consumption of the amplifier:

First, the peak current draw at full output power. Under this condition the power will blow the mains breaker within 30 second and the amplifier will operate for less than 2 minutes before thermally limiting. During this time, the temperature of the power supply will be stabilised at a temperature that will have no effect on the insulation rating of the AC line cord.

Second, the maximum expected average current under worst case program material which is 1/3 of full power according to the FTC-standard. At this level the music will be in the state of constant clip and is therefore the highest power level one can obtain without completely obliterating the program.

Last, the "normal operating power", as defined by the safety standard IEC 65/ANSI/UL 6500 and used by a majority of safety agencies. The normal operating power is measured using pink noise, with an average output power equal to 1/8 of full power. The one eighth of the total power is as loud as you can play music while making some attempt to avoid obvious clipping. It also corresponds to headroom of 9dB, which is very low for normal audio program.

MAX OUTPUT POWER				MAINS INPUT POWER		
Power [W]				1/3 Power	1/8 Power	Idle
				note 1	note 2	
TA 600	8 ohms	2x	200	345	235	60
	4 ohms	2x	320	570	370	60
	2 ohms	2x	470	930	585	60

note 1 Average power with music as program source. The amplifier driven to clip level.
note 2 Normal music power with 9dB headroom, IEC standard power rating.

Table 1.

6.5.1 Calculation

The current draw can be calculated by dividing the mains input power by the mains voltage. We recommend you to design the power distribution for at least the current at 1/8 power, and 1/3 power for heavy-duty demands like discos etc.

The heat power can be calculated as in the following example:

We consider headroom of at least 9dB and a 4 ohms load on an amplifier producing 700 watts per channel. The 1/8 power per channel is accordingly; $320 / 8 = 40$ watts, and total output; $2 \times 40 = 80$ watts.

The power consumption according to the chart above is then 600 watts.

The heat power produced is the difference between the power consumption and output power; $600 - 80 = 520$ watts per amplifier.

7 CONNECTIONS

7.1 Input connections

7.1.1 Balanced inputs

XLR Input connectors are active balanced and wired according to the **IEC 268**, that is pin 2 hot, and wired in the following way:

PIN 1 GROUND/SHIELD
PIN 2 HOT (+)
PIN 3 COLD (-)

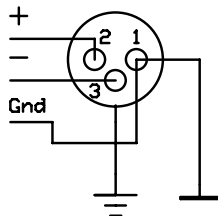


Figure 4. XLR input connector

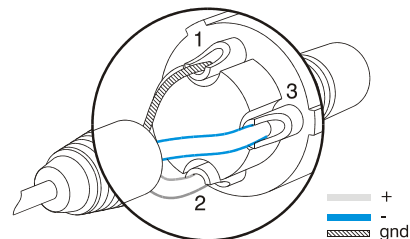


Figure 5. XLR balanced

Within the Neutrik® Combojack there is a 1/4" (6.3mm) phone jack, which is wired in parallel with the XLR.

TIP HOT
RING COLD
SLEEVE SHIELD/GROUND

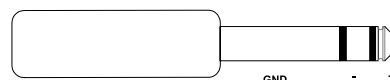
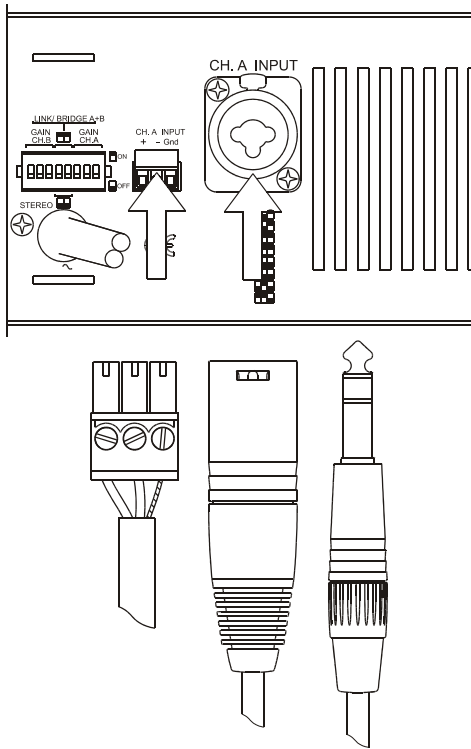


Figure 6. 1/4" TRS plug



The input impedance is high enough (20 kohms balanced) to allow "daisy-chaining", or multiple parallel input connections. The headroom of the input circuits is also high enough to accept the maximum output level from virtually any low-level signal source. Balanced signals are less sensitive to AC hum and radio interference. The source impedance should be less than 1 kohms to avoid high frequency loss in long cables.

To daisy chain amplifiers, use the screw-terminal (Phoenix connector), labeled **Link**, provided on each channel. It is connected in parallel with the Neutrik® Combo jack on each input.

7.1.2 Unbalanced inputs

To connect an unbalanced source, tie pin 3 (ring on TRS jack) down to the shield of the connector. If you leave one pin disconnected, you will lose 6 dB.

A better method for using unbalanced sources is shown in Figure 8. This is similar to the connection for balanced lines, but pin 3 is connected to the shield at the source. The hum and noise rejection for the cable is equivalent to that for a balanced line. To minimize hum in the audio, use balanced inputs whenever possible.

Figure 7. Unbalanced line connection

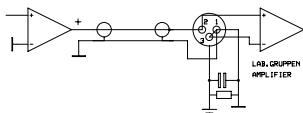
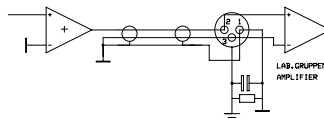


Figure 8. Balanced line with unbalanced equipment



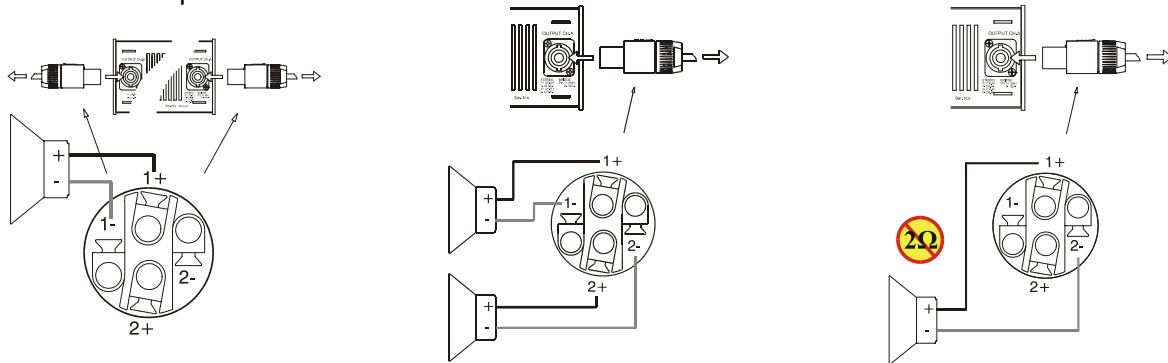
For two-channel (stereo) operation, use both channels A and B. For tandem stereo or bridged mono operation, use only one of the inputs. See [operation modes](#) for more details.

7.2 Connecting speakers

Speaker connections are made via the two **Neutrik® NL4FC Speakon** connectors. The Speakon connector is designed for high power speaker connections. It assures the correct polarity, it locks in place and prevents from shock hazard.

They are wired in the following manner:

The right jack, Channel A, has both channel A and B outputs, so it's useful for bridging and bi-amp operation (see bridged mono operation on page 7). The left Speakon, Channel B, carries only the channel B output.



Channel A and B into two separate Speakons.

Channel A and B into one Speakon (Stereo and Bi-amp)

Bridged mono

Never connect either output terminal to ground or to some other output or input terminal (see warnings in chapter 1)

For normal two-channel operation, connect each speaker load across the output's positive and negative terminals. **Pay attention to speaker polarity; loudspeakers connected out of polarity degrade sound quality and may be damaged as a consequence.**

Keep the speaker cable wires as short as possible and use a good quality stranded speaker cable. Do not use shielded wire, such as microphone or guitar cable. Remember that the speaker cable robs the power of the amplifiers in two ways:

Increases the load impedance and introduces resistive power losses.



WARNING: To prevent from electric shock, do not operate the amplifier with any of the conductor portion of the speaker wire exposed.

8 OPERATION

8.1 Operation precautions

- Make sure that the power switch is set to "off" before connecting any input or output or operating the switches on rear panel. See pages 8 about installation.
- Make sure that the AC mains voltage is correct and the same as the one printed on the rear panel of the amplifier. See pages 9, about operating voltage and power consumption.
- Make sure that the switches on the rear panel for operation modes, gain-switch and clip-limiter switch are in the correct position. See page 7 about operation modes and page 13 about clip limiters.
- It is always a good idea to turn down the gain controls during power-up, to prevent speaker damage in case a high signal is present at the input.

8.2 Powering up – Soft start

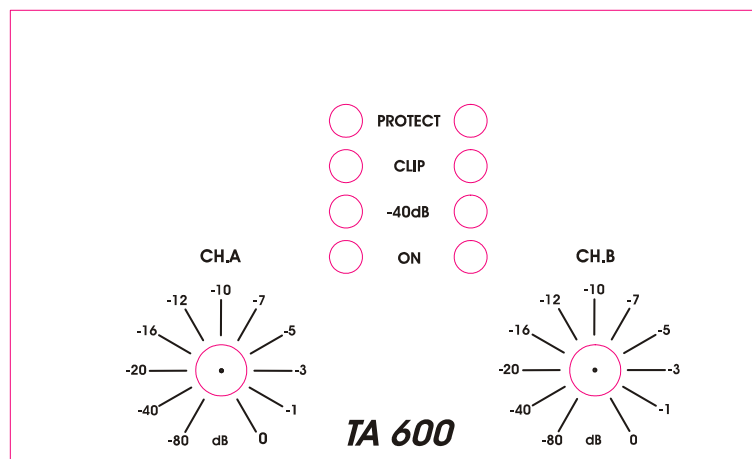
When you power up the amplifier it takes a couple of seconds to check its circuits. This is known as the "soft-start" or "slow-start" sequence. The fans then blow at high speed before going into "idle" and the two bottom green LED's illuminate to show the amplifier is operational.

8.3 Input attenuators

The two input level attenuators on the front panel adjust the signal level for their respective amplifier channel in all modes. They are calibrated in dB to help setting up active loudspeaker systems or cutting down unwanted noise from the input signal.

In bridged mode, both controls must be in the same position, so that the speaker load will be shared equally between the channels.

8.4 Indicators



Front Indicators

The yellow LEDs at the top indicate if any **protection** circuits are activated. These are described on page [13](#).

The **Clip/limit indicator** tells when the amplifier output is clipping or limiting. It has two different indication statuses:

- If the clip limiter is engaged it has a short time constant and it illuminates briefly.
- If the clip limiter is not engaged it has an increased time constant and it illuminates for a longer period.

The **"-40 dB"** LED's illuminate if the output signal is greater than -40dB (with 0dB as reference to full output power). These LED's also act as signal present indicators.

The two bottom green **"ON"** LED's indicate that the output circuits are receiving the correct rail voltage.

9 PROTECTION FEATURES

Each Tannoy amplifier has many advanced protection features, protecting both the amplifier and the speakers connected to it should a fault condition arise. Under normal use these features are inaudible. All protection circuits are independent.

9.1.1 Clip Limiter

The clip limiter is included to prevent dangerous clipped signals reaching the speaker and damaging it. When an amplifier is severely overdriven, its output waveform is clipped (its peaks are squared off) –reducing the crest factor. In extreme cases, the waveform can approach that of a square wave. An amplifier is normally capable of producing far more power under these conditions than its normal undistorted rated output power.

The limiter works by monitoring the output and comparing the distortion produced between the input and output of the amplifier. If the distortion exceeds 1%THD for any reason (voltage or current clipping), the limiter reduces the input signal proportionally. Note that, if the signal is distorted or clipped before it reaches the amplifier, the clip limiter cannot detect it, and will not be activated. Under normal operation the clip limiting is inaudible. The limiter can be turned On or Off by depressing or pressing the relevant clip limit switch.

Some manufacturers of loudspeaker controllers do not recommend the use of clip limiters in amplifiers, as they tend to upset the tracking of the controller's limiters.

Apart from this one exception, **Tannoy** recommend leaving the clip limiters switched "on" (button depressed). (As a side-effect, once the amplifier comes out of a protect condition, the output level has a slow rise time -the effect is like turning the gain up slowly).

9.1.2 Thermal protection

If the amplifier is driven very hard into a low impedance load, the cooling fans will run at high speed. If the causing conditions continue, the Temperature indicator(s) will illuminate indicating that the amplifier is about to go into thermal shutdown.

After five seconds the amplifier will go into thermal protection by muting the input signal. After 15-20 seconds the amplifier will have cooled down enough for the amplifier to come out of shutdown and operate as normal. If the load conditions remain unchanged the thermal protection will be reinitiated. Thermal protection starts when the **Intercooler**[®] heatsink reaches a temperature above 90⁰ C.

9.1.3 VHF protection

If a signal above 12kHz is detected at the amplifier outputs for more than five seconds at full output power, the VHF protection mutes the input signal. (This is indicated on the front panel (2) labeled Protect). After five seconds the outputs will un-mute and return to normal operation, unless the output signal has remained unchanged, in which case the VHF protection will re-initiate.

9.1.4 Short circuit protection

All Tannoy amplifiers are completely short circuit protected. The protection circuit permits very high peak currents, but still holds the output devices within the safe operation area. If a short circuit is maintained, the channel affected will eventually go into thermal protect cycle until the short circuit has been removed.

9.1.5 AC mains voltage protection

If the AC mains voltage is over the allowed operational voltage, the power supply will automatically shut down. Once the mains voltage is above the minimum start voltage and below its maximum operating voltage the amplifier will restart.

9.1.6 D.C. protection

There are two types of DC protection:

- Fuses on the supply branches of each channel.
- A DC crowbar protection that shorts the output if more than 10 volts DC are being detected on the outputs. Both these circuits come into effect once a DC level are being detected on either channel.

10 MAINTENANCE

Under normal use the amplifier should provide years of trouble-free service. The only user maintenance required by the user is to vacuum the front grill periodically.

In some extreme cases it may be necessary for authorized service personnel to clean the inside of the amplifier. These conditions usually occur after prolonged use, e.g. in environments using "cracked- oil" smoke machines.

If you are using your amplifier for heavy duty use i.e. concert touring or industrial music it is recommended that you have your amplifier serviced every 3 years, purely as a preventative measure.

10.1 Troubleshooting

These are typical things to check if you think your amplifier is faulty:

Fault: No output.

If the Signal Present (-40dB) is illuminating there is nothing wrong with the amplifier; the likely cause is an unsecured Speakon speaker connector.

Check also that the VHF protection is not activated. If it is, remove possible high frequency oscillations from the relevant input.

Fault: The amplifier goes into thermal protection when driven at low level.

Check that nothing causes a short circuit at the amplifier's output, e.g. any component in the loudspeaker (this can occur when the speaker coil gets warm).

Fault: The amplifier goes into protection with power indicators off.

Check that the AC line voltage is within the amplifier's operating range, 130-265V@ 230V, (65-135V @ 115V). Over-voltage protection may have occurred. If the amplifier is connected by

mistake to a 3 phase supply, an internal non-resetable fuse or resistor may have blown. Then return the amplifier to your supplier for service.

Fault: The amplifier does not respond even after checking above items.

In the unlikely event of on a non-user rectifiable fault, return the amplifier to your supplier or an approved service centre.

Tannoy cannot be held responsible for damage or injury as a result of the top cover being removed.

11 WARRANTY

General

This product is manufactured by Tannoy and is warranted to be free from defects in components and factory workmanship under normal use and service, for a period of one (1) year from the date of original purchase.

During the warranty period, Tannoy or its nominated agents, will undertake to repair, or at their option, replace this product at no charge to its owner, when failing to perform as specified, provided the unit is returned undamaged and shipping pre-paid, to factory or authorised service facility.

This warranty shall be null and void, if the product is subjected to:

Repair work or alteration by person other than those authorised by Tannoy or its agents.

Shipping accidents, war, civil insurrection, misuse, abuse, operation with incorrect AC voltage, operation with faulty associated equipment, exposure to inclement weather conditions and normal wear and tear. Units, on which the serial number has been removed or defaced, will not be eligible for warranty service.

Tannoy shall not be responsible for any incidental or consequential damages, with respect to the products warranted.

Tannoy reserve the right to make changes or improvements in design or manufacturing, without assuming any obligation to change or improve products previously manufactured.

This warranty is exclusive and no other warranty is expressed or implied. This warranty does not affect your statutory rights.

International

Please contact your supplier for this information, as rights and disclaimers may vary from country to country.

Technical assistance and services

International

If your Tannoy product needs repair, contact your Tannoy dealer or distributor, or contact Tannoy by fax or email to obtain the location of the nearest authorized service center.

Factory services

In the event of your Tannoy product needing factory service, you may contact Tannoy's service department for return instructions and a Return Authorisation number.

Please note for product return:

1. Use the original packing.
2. Include a copy of the sales receipt, your name, return address, phone and fax number, email address and description of the defect.
3. Mark the Return Authorisation number on the outside of the packing.
4. Ship the product prepaid to:

Tannoy Limited
Rosehall Industrial Estate
Coatbridge
ML5 4TF
Tel: +44 01236 420 199
Fax: +44 01236 428 230
www.tannoy.com