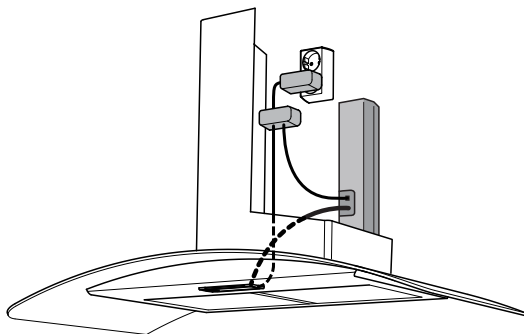


## USER MANUAL



*SAFERA Siro IN-line stove guard*



*SAFERA Siro R-line stove guard*

# USER MANUAL

## SAFERA Siro IN-Line and Siro R-line stove guard

Congratulations for buying the SAFERA Siro IN-line or Siro R-line Stove Guard. This guide describes the use and maintenance of the product. Please read these instructions carefully before installing and using the system and keep them throughout the product life cycle.

SAFERA Stove Guard strives to react to hazardous situations as early as possible. SAFERA can distinguish between normal cooking and hazardous situations. Therefore it does not interfere with normal cooking but reacts quickly if there is a threat of danger. For example, SAFERA ignores steam from cooking.

Safe and enjoyable cooking!

### 1.1 Manufacturer

The product is designed and manufactured by SAFERA Oy, a Finnish expert on home fire safety.



**SAFERA Oy**  
Muuntotie 1  
FI-01510 Vantaa  
Finland

**Product support**  
info@safera.com

### Contents

1. Warnings
2. Stove Guard Description
3. Using the Stove Guard
4. Maintenance
5. Troubleshooting
6. Warranty
7. Specifications
8. CE-conformity

# 1. WARNINGS

Follow these instructions carefully and pay particular attention to the instructions marked in the following way:

#### ▲ WARNING

*Follow instructions marked with a warning accurately to prevent injury to persons and damage to property.*

#### 📌 ATTENTION

*Follow instructions marked with a note carefully to prevent damage to property.*

#### 💡 HINT

*Tips give you useful hints on using the appliance.*

## 1.1 Important Use and Service Information

The Stove Guard must be used for its intended purpose only, as described in chapter 2.1. SAFERA Oy is not liable for any damages caused by inappropriate use or installation of the appliance.

Only authorised SAFERA service personnel are allowed to service the safety system. Use only original SAFERA parts.

### 1.1.1 Safe Cooker Use

Cooking fires are the number one cause of home fires and home fire injuries. Cooking fires are mainly the result of wrong or negligent cooker use, such as leaving the cooker on accidentally after use.

SAFERA Stove Guard is designed to prevent injury to persons and damage to property caused by cooking fires.

#### ▲ WARNING

*Always use the cooker safely and responsibly, even when protected by the Stove Guard.*

*The Stove Guard does not replace statutory home fire alarms. Ensure that fire safety at your home follows the local regulations.*

*Electrical installations can only be carried out by a qualified electrician in accordance with the valid regulations.*

## 2. STOVE GUARD DESCRIPTION

### 2.1 Purpose of Use

SAFERA Stove Guard is designed to improve the safety of the cookers meant for household use (see compatibility in the Installation manual). It is highly effective against cooking fires.

Be always careful when using the cooker. Keep children away from the cooker.

Please note that the appliance is designed to prevent cooking fires. In case of a fire, you must follow appropriate procedures to prevent further damage. If necessary, call Emergency Services, explain the situation calmly and follow the instructions given to you.

#### ▲ WARNING

Flame cooking is prohibited under the cooker hood.

SAFERA Stove Guard is meant for household use only. The appliance must not be used in professional kitchens or with cookers and hobs meant for professional use.

### 2.2 Conformity

SAFERA's CE marking ensures that SAFERA Siro conform to the required EU requirements and standards. See chapter 8.

### 2.3 Appliance Description

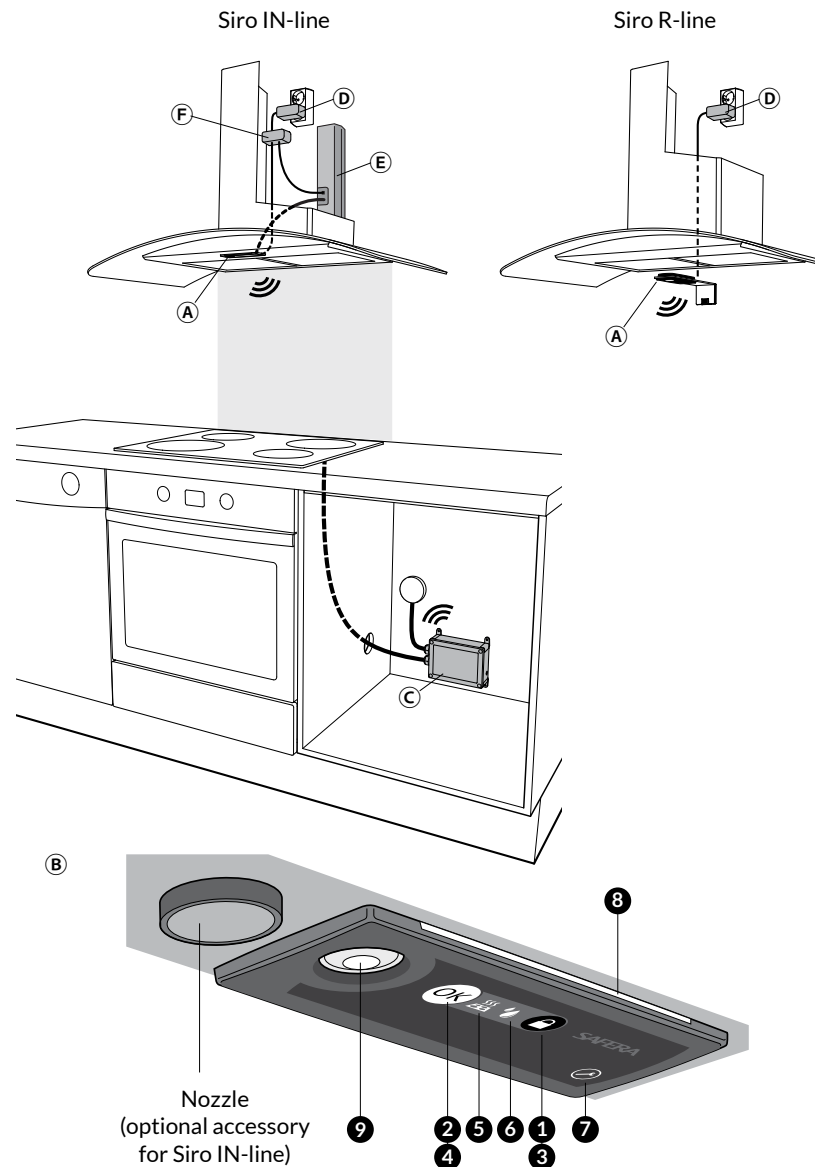
SAFERA Siro is delivered either as a stand-alone product (Siro R-line) as a pre-installed accessory in cooker hoods (Siro IN-line). See figure below.

- Ⓐ Central Unit (pre-installed into a cooker hood)
- Ⓑ Control panel: operating buttons and indicator lights
- Ⓒ Power Control Unit controls the power supply to the cooker
- Ⓓ Power Supply for the central unit Ⓐ

The central unit Ⓐ and the power control unit Ⓒ are connected with a wireless SAFERA RobustLink connection, which is designed for safety-critical applications.

### 2.4 Control Panel Ⓑ

- 1 Child proof lock button
- 2 OK button
- 3 Indicator light for child proof lock
- 4 Indicator light for normal activity
- 5 Warning light for cooktop hazard
- 6 Warning light for water leakage
- 7 Adjustment mode button
- 8 Indicator light panels
- 9 Sensor



## 3. USING THE STOVE GUARD

SAFERA Stove Guard observes the temperature changes and the use of the cooker. The Stove Guard automatically gives an alarm and switches off the cooker and the oven in a hazardous situation based on temperature changes and also if

- the cooker is left on for over 3 hours without anyone using it,
- the cooker has been on for over 5 hours, or
- the oven has been on for over 12 hours without anyone using it.

### 3.1 Setting the Alarm Limit

To ensure safe and reliable operation, you need to set the alarm limit to match the location of the cooker in the kitchen. The alarm limit may also be adjusted in case of frequent false alarms. See Installation manual for further information.

#### ▲ WARNING

*The Stove Guard is controlling the oven only if the oven is connected to the power control unit ③.*

*The cooker's hot-hob indicators do not work after the Stove Guard has switched off the cooker. The hobs may still be hot.*

#### ▢ ATTENTION

*The Stove Guard is designed to avoid raising unnecessary alarms. This means that it allows the temperature to rise quite high during cooking without raising an alarm. It does not sound an alarm until it looks like the situation may cause danger to the surroundings.*

### 3.2 The Child Proof Lock

It is not possible to use the cooker or the oven, when the indicator light for child proof lock ③ is on and light panels ③ lit orange. You can switch the lock on or off by pressing the child lock button ①.

#### 3.2.1 Automatic Child Proof Lock

If the automatic child proof lock is in use, it will switch on automatically either

- approx. 10 minutes after using the cooker or
- approx. an hour after using the oven.

By default, automatic child proof lock is disabled. You can enable the automatic child proof lock by pressing and holding the child lock button ① for 5 seconds until you hear two high beeps (••). This way you can also disable the automatic child proof lock (one low signal).

#### 3.2.2 If the child proof lock has prevented cooker use

If the indicator light for child proof lock ③ and light panels ③ are lit orange, someone has tried to use the cooker or the oven while the child proof lock was on. As a result, the cooker and oven power was switched off. First turn all the hob switches in the zero position. After that, you can return the power by pressing the child proof lock button ①.

### 3.3 Cooker danger

Warning for dangerously hot cooker or for leaving the cooker or the oven on for too long. An alarm is sounded and light panels ③ are flashing red. The Stove Guard switches off the cooker and the oven in 15 seconds. When you hear the alarm:

1. Check the situation calmly. If there is no danger, you can prevent the cooker power switch off by pressing the OK button ② during the alarm and continue with cooking.
2. If you do not press the OK button during the alarm, the Stove Guard will switch off the cooker and the oven: after switch off a repetitive signal is sounded and the warning light ⑤ is lit and the light panels ③ are blinking red.
3. When there is no more danger, you can return the power to the cooker and oven by pressing the OK button ②. First, turn the hob switches to the zero position.
4. Ensure that the hazardous situation will not recur.

#### ▢ HINT

*If the case of frequent false alarms, you can raise the alarm limit, see 3.1.*

### 3.4 Fire extinguisher (optional)

If the stove guard is equipped with the optional extinguishing unit ⑤, it will first try to prevent the fire according to chapter 3.3 and if still needed, it will also trigger the extinguisher unit ⑤ in 15 seconds. Before extinguishing, a quick repeating alarm is sounded and the indicator light ⑤ and light panels ③ are blinking red.

When you hear the alarm: proceed according to the chapter 3.3 or if the Stove Guard is equipped with the Extinguisher Unit ⑤, follow these instructions:

1. Check the situation calmly. If needed, call Emergency Services. If there is no danger, you can stop the power from switching off by pressing the OK button ② during the alarm and continue with cooking.
2. If you do not press the OK button during the alarm, the Stove Guard will switch off the cooker and the oven and will launch the extinguishing. Then a short repetitive signal is sounded and the warning light ⑤ blinks.
3. You can acknowledge the extinguish by pressing the OK button ②. Before touching the cooker surroundings covered with fire extinguishing agent:

#### ▲ WARNING

*Turn off the power supply for the cooker from the fuse table to avoid electric shock.*

*To avoid burns, check that the cooker surroundings have cooled down. Before cleaning the cooker area, check*

that there are no hot items, such as pots or liquids, around and that all hobs have cooled off.

4. Wipe the cooker dry with a moist cloth or paper towel.

#### ▲ WARNING

Avoid direct contact of the fire extinguishing agent with eyes and mucous membranes. If contact occurs, follow the instructions in the Material Safety Data Sheet.

#### 📌 ATTENTION

Use cleaning gloves when handling the fire extinguishing agent.

The fire extinguishing agent is harmless to the environment when diluted. Please flush the agent down the drain with at least 10 litres of water. Rinse the used towels and throw them away in mixed garbage.

Dry the cooker area carefully, especially from behind and underneath the cooker.

5. Air the house thoroughly to ensure that no fire gases remain inside.
6. Before using the cooker:

#### ▲ WARNING

Make sure that the fire extinguishing agent has not damaged the electrical safety of the cooker.

#### 📌 HINT

You can return the power by pressing the OK button ②. First, turn the hob switches to the zero position.

7. Please contact SAFERA product support to replace the Extinguisher Unit ⑤. The indicator light panels ③ stay constantly lit until the extinguisher unit has been replaced. Other safety features are still in use.
8. Make sure that the appliance is serviced after the fire extinguisher has been used (see Service).

#### ▲ WARNING

Note that the Stove Guard is designed to start the extinguishing of fire, so you must call Emergency Services if the situation so requires, and make sure the fire has been put out. Ensure that the situation will not recur.

The Stove Guard may not be able to extinguish difficult fires. In case of a cooktop fire, act according to the instructions given by the authorities.

Do NOT keep electric appliances right next to the cooker. The fire extinguisher agent may cause them to malfunction. Also, an electric shock is possible. If an electric appliance has got covered with the fire extinguishing agent, remove it from the electrical network, and, before use, make sure it does not cause a electric shock hazard.

The Stove Guard can only extinguish the fires on the cooker, not those in the oven or elsewhere in the kitchen.

#### 📌 ATTENTION

Do not bring a hot dish into contact with the central unit ①, because it may cause an extinguishing alarm.

If the flame is a small one which will die down quickly on its own, the automatic fire extinguisher is not triggered, as it would be unnecessary.

### 3.5 Water Leakage Detector (optional)



SAFERA Stove Guard can be equipped with max. four water leakage sensors. When the sensors get wet for example because water drips on them, the detector will sound an alarm with far-spaced signals and light panels ③ are blinking blue.

When you hear the water leakage alarm:

1. Reset the alarm by pressing the OK button ②.
2. Before continuing, make sure the power supply for the cooker is turned off.
3. Find out what caused the alarm and take care of the water leakage.
4. Clean and dry the sensor ⑥.

#### 📌 HINT

If the sensor is left wet, the appliance will give another alarm in 8 hours after signing off the previous one.

## 4. MAINTENANCE

To ensure continued safe and reliable operation, please follow the instructions in this chapter.

When the appliance is in working order and in normal mode, the indicator light for normal activity ④ blinks every five seconds.

#### 📌 ATTENTION

If the light panels ③ are lit red, the appliance is faulty. See section Troubleshooting.

### 4.1 Regular maintenance

Wipe the central unit ① with a cloth moistened with water or a mild detergent, such as washing up liquid, once a month. Avoid pressing the appliance buttons and sensors.

Do the installation check-list according to installation manual every three months.

#### 📌 ATTENTION

Do not use coarse or abrasive materials to clean the central unit ① or the control panel ②.

### 4.2 Service of the Extinguisher Unit ⑤

The Extinguisher Unit ⑤ needs to be replaced with a new one after every 5 years. Also after an extinguishing the Extinguishing Unit must be replaced and the Stove Guard serviced: please contact your retailer or the SAFERA product support. The service date is marked on the bottom of the cooker hood, next to the central unit ①. The Extinguishing Unit ⑤ is also marked with its manufacturing date.

## 5. TROUBLESHOOTING

If the light panels **3** are lit red, the appliance is faulty. Press the OK button **2** to find out the problem type by the indicator lights:

### Light panels **3** blinks blue:

- **Blinks once:** Problem with wireless connection.
- **Blinks twice:** Problem with power control unit **C**.
- **Blinks three times:** Power control unit **C** over-heating.

### Light panels **3** blinks yellow:

- **Blinks once:** Problem with sensors **6**.
- **Blinks twice:** Problem with sensor unit **A**.
- **Blinks three times:** Faulty installation position of the sensor unit **A**: see remedy on the table below.

### Light panels **3** blinks red:

- **Blinks once:** The service life of the extinguisher unit **E** is full. Please contact your vendor or SAFERA product support..
- **Blinks twice:** The extinguisher unit **E** or its connection cable is faulty.
- **Blinks three times:** The extinguisher unit **E** is empty.

### Light panels **3** blinks purple:

- **Blinks once:** Connection hub **F** is or its connection cable is faulty.
- **Blinks twice:** Connection hub **F** failure
- **Blinks three times:** The power supply **D** is faulty.

Please contact your vendor support if you cannot solve your problem with these instructions:

Problem	Remedy
Cooker cannot be switched on	Check whether the child proof lock is active. The lock stops the use of the cooker. For instructions, see chapter 3.2.
The appliance repeatedly gives false (the warning light for cooktop hazard <b>5</b> is on).	Test the working order according to installation manual step 6/6.  If the appliance is in working order, but the Stove Guard gives repeatedly false alarms, you may adjust the alarm limit of the appliance. See installation manual step 5/6.
The appliance repeatedly gives false alarms, especially when the oven is in use.	There may have been a mistake in the calibration of the appliance. See installation manual step 3/6.
The indicator light for normal activity <b>4</b> does not blink every five seconds.	There may be a problem with the power supply <b>D</b> .  Ensure that the power supply <b>D</b> is connected correctly to the wall socket and that the socket has power. If the problem is not solved, remove the Stove Guard from the electrical network and contact your vendor.
The appliance repeatedly gives out water leakage alarms.	For instructions, see chapter 3.4.  If the alarms recur, take off the fuses for the cooker and the oven. Check that the leakage sensors are correctly connected. Put back the fuses.
The light panels <b>3</b> are lit purple.	The Stove Guard is waiting for installation. See installation manual.

## 6. WARRANTY

The appliance comes with a 24 month warranty as regulated in the general warranty terms of SAFERA.

# 7. SPECIFICATIONS

Central Unit	
Power supply	230 V ~ 1 N, 47–60 Hz Output voltage of the power source 5 V 1 A
Power consumption	1 W
Wireless connection	SAFERA RobustLink 2,4 GHz. Range 10 – 100 m, depending on the building structure
Pollution degree	2
Power Control Unit	
Compatibility	Most electric cookers and hobs used in private homes. See specific compatibility on the label of the power control unit ©.
Power supply	See the label of the power control unit ©.
Power consumption	2 W (PCU6.3 = 4 W)
Control type	According to IEC/EN 60730 - 1 : Type 1.B
Pollution degree	2
Impulse voltage rating	4 kV
Operational ambient temperature	See the label of the power control unit ©.
Ball pressure test rating	100 °C
PTI of insulation materials	175...400

Designed number of automatic actuations	6000
IP class	See power control unit
Extinguisher Unit	
Compatibility	Typical cooktop fires, including grease fires
Power supply	5 V
Power consumption	0 W, in an extinguishing situation 5 W
Fire extinguishing agent	0,4 l Fettex, a class F fire extinguishing agent
Dimensions	70 x 70 x 350 mm
Service cycle	5 years
The fire extinguishing agent's service life	10 years

# 8. CE-CONFORMITY

SAFERA Oy declares that SAFERA Siro is compliant to the following EU directives and standards::

EN 50615 category B and AB (55 cm installation height, 4 plates 60 cm cooker), 2006/95/EC, 2004/108/EC, 1999/5/EC, 2002/95/EC, 2002/96/EC, EN 301 489-1: 2011 (V1.9.2), EN 301 489-17: 2009 (V2.1.1), EN 55014-1:2000 / CISPR 14-1, EN 55014-2:1997 / CISPR 14-2 + Amd.2, ETSI EN 300 328: 2012 (V1.8.1), EN 60730-1: 2000 + A12 + A13 + A1 + A14 + A16 + A2, EN 60730-2-9: 2010, EN 60335-1: 2010 (ed 5.0), EN 60335-2-31: 2002 / A1:2004.



Vantaa Finland 1.5.2015, Henri Andell, VD